



US00D323339S

United States Patent [19]

[11] Patent Number: **Des. 323,339**

Ishikawa

[45] Date of Patent: **** Jan. 21, 1992**

[54] **TRIPOD HEAD**

3,364,810 1/1968 Hickerson 248/180
3,765,631 10/1973 Herbst et al. 248/179 X

[76] Inventor: **Masao Ishikawa**, c/o Heiwa Seiki Kogyo Co., Ltd., 978-1, Nishibukuro, Yashio-city, Saitama, Japan

OTHER PUBLICATIONS

Catalog sheet for VSF-2000SD.
Catalog sheet for VSF-3000D.

[**] Term: **14 Years**

Primary Examiner—Bernard Ansher
Assistant Examiner—Dominic Simone
Attorney, Agent, or Firm—Armstrong, Nikaido, Marmelstein, Kubovcik & Murray

[21] Appl. No.: **385,501**

[22] Filed: **Jul. 27, 1989**

[57] **CLAIM**

[30] **Foreign Application Priority Data**

The ornamental design for a tripod head, as shown and described.

Feb. 2, 1989 [JP] Japan 1-3671

[52] U.S. Cl. **D16/245**

[58] Field of Search **D16/237, 242, 244, 245;**
248/122, 163.1, 143, 165, 166, 177-180, 187,
434

DESCRIPTION

FIG. 1 is a front view of a tripod head showing my new design;
FIG. 2 is a rear view thereof;
FIG. 3 is a left side view thereof;
FIG. 4 is a right side view thereof;
FIG. 5 is a top view thereof;
FIG. 6 is a bottom view thereof;
FIG. 7 is a front perspective view thereof; and
FIG. 8 is a front view thereof, the handle and tripod shown in broken lines for illustrative purposes only.

[56] **References Cited**

U.S. PATENT DOCUMENTS

- D. 182,960 6/1958 Huber D16/242
- D. 218,196 7/1970 Merino et al. D16/242 X
- D. 308,067 5/1990 Mednick D16/242 X
- D. 308,389 6/1990 Horn et al. D16/242
- 2,591,051 4/1952 Caldwell 248/177

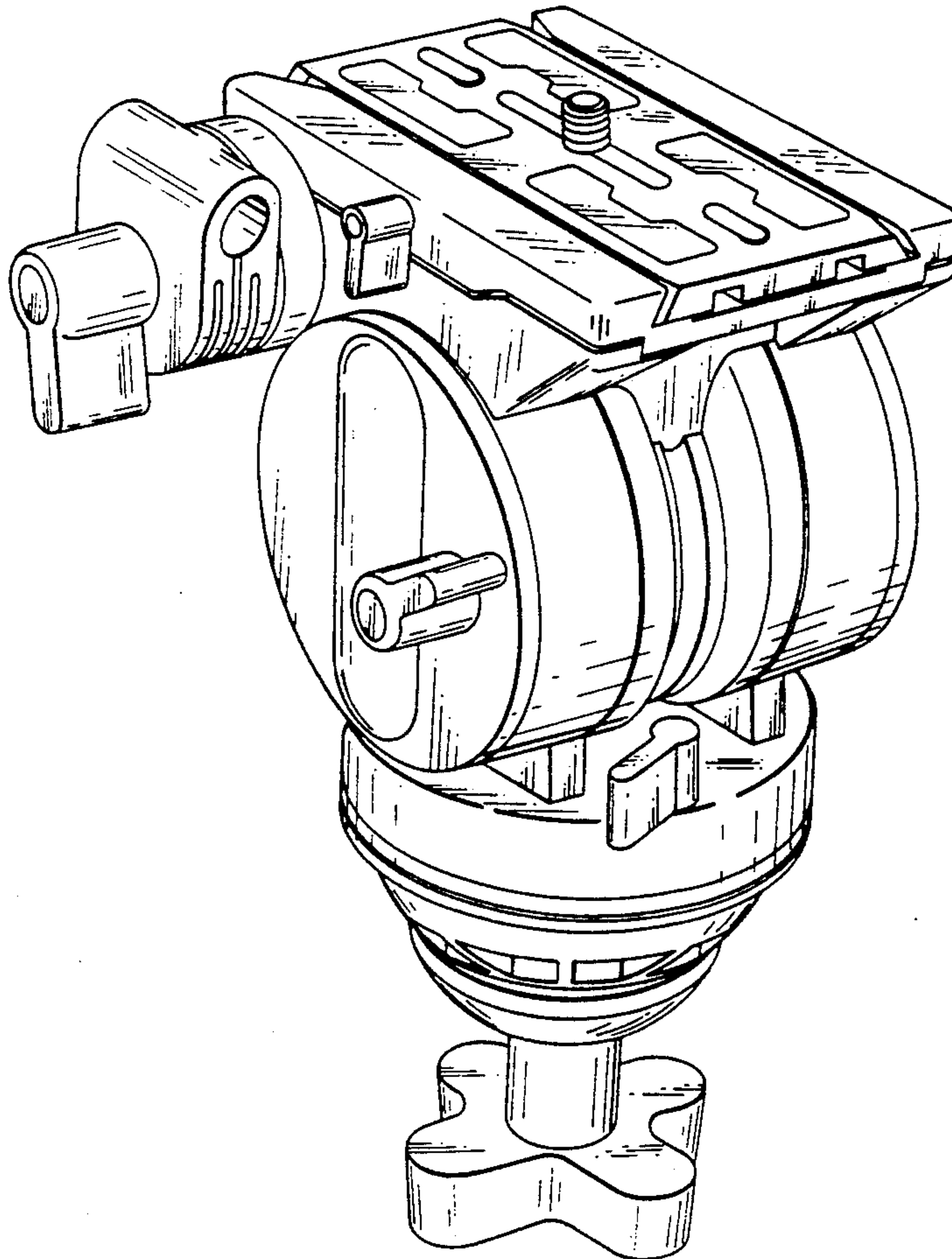


FIG. 1

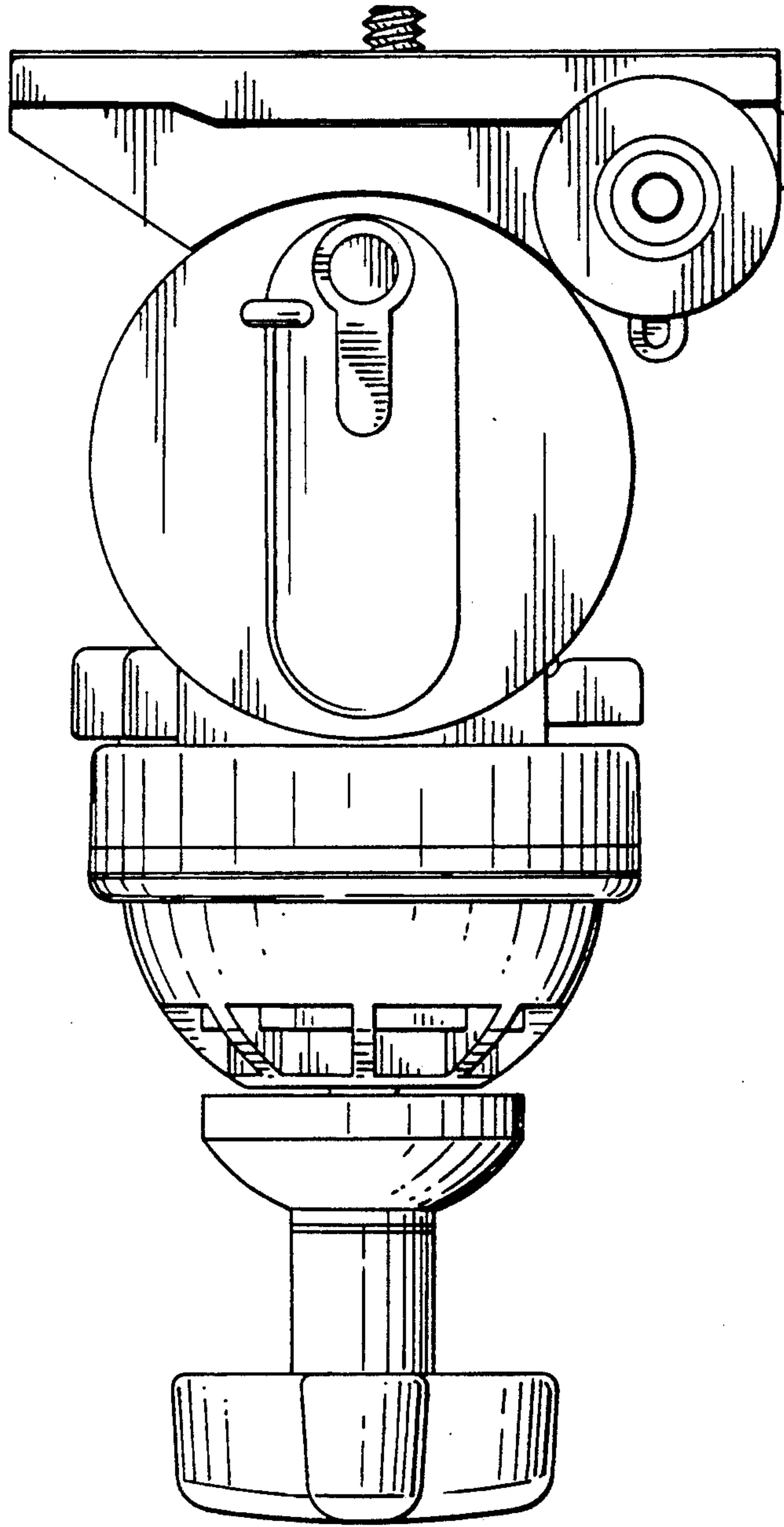


FIG. 2

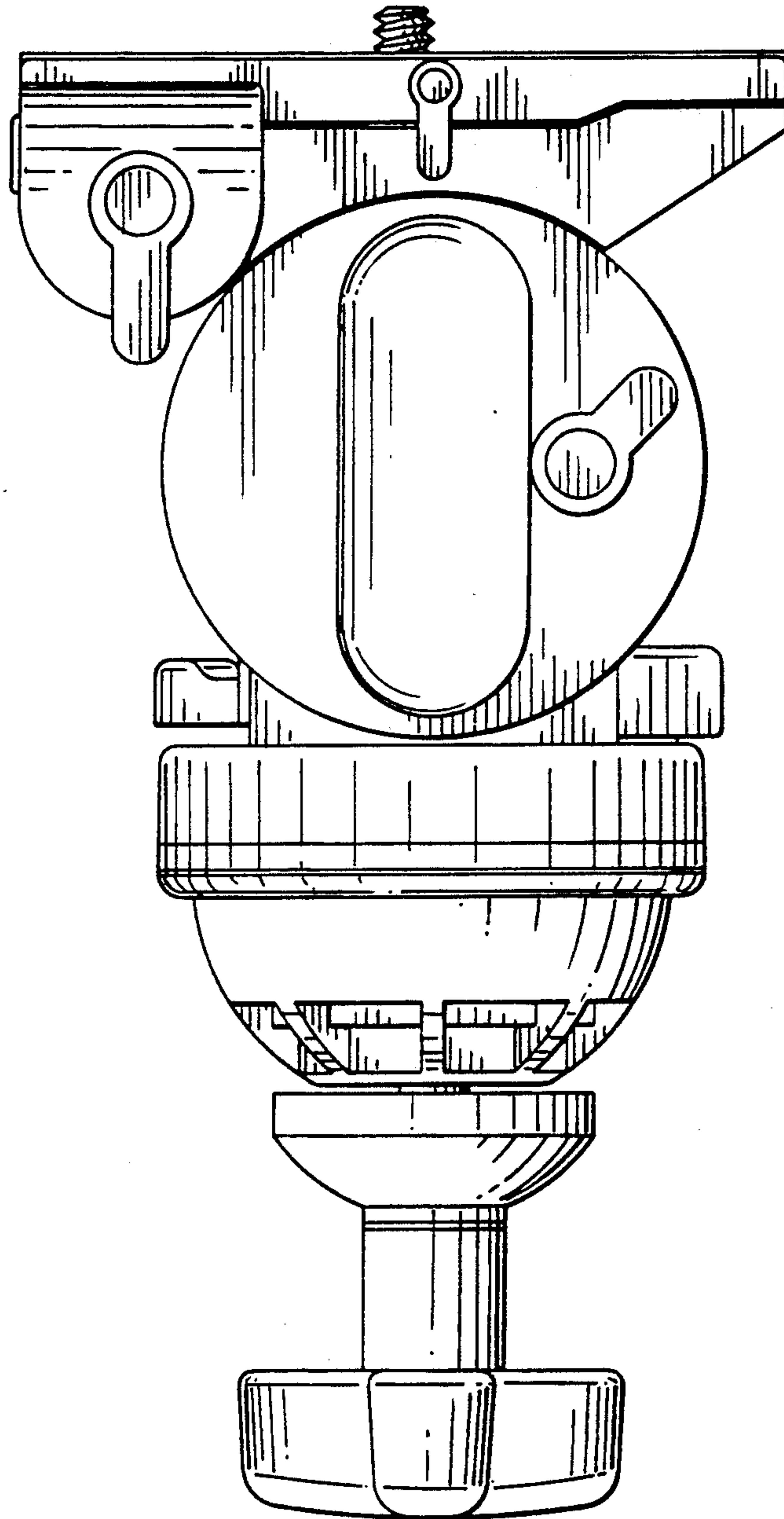


FIG. 3

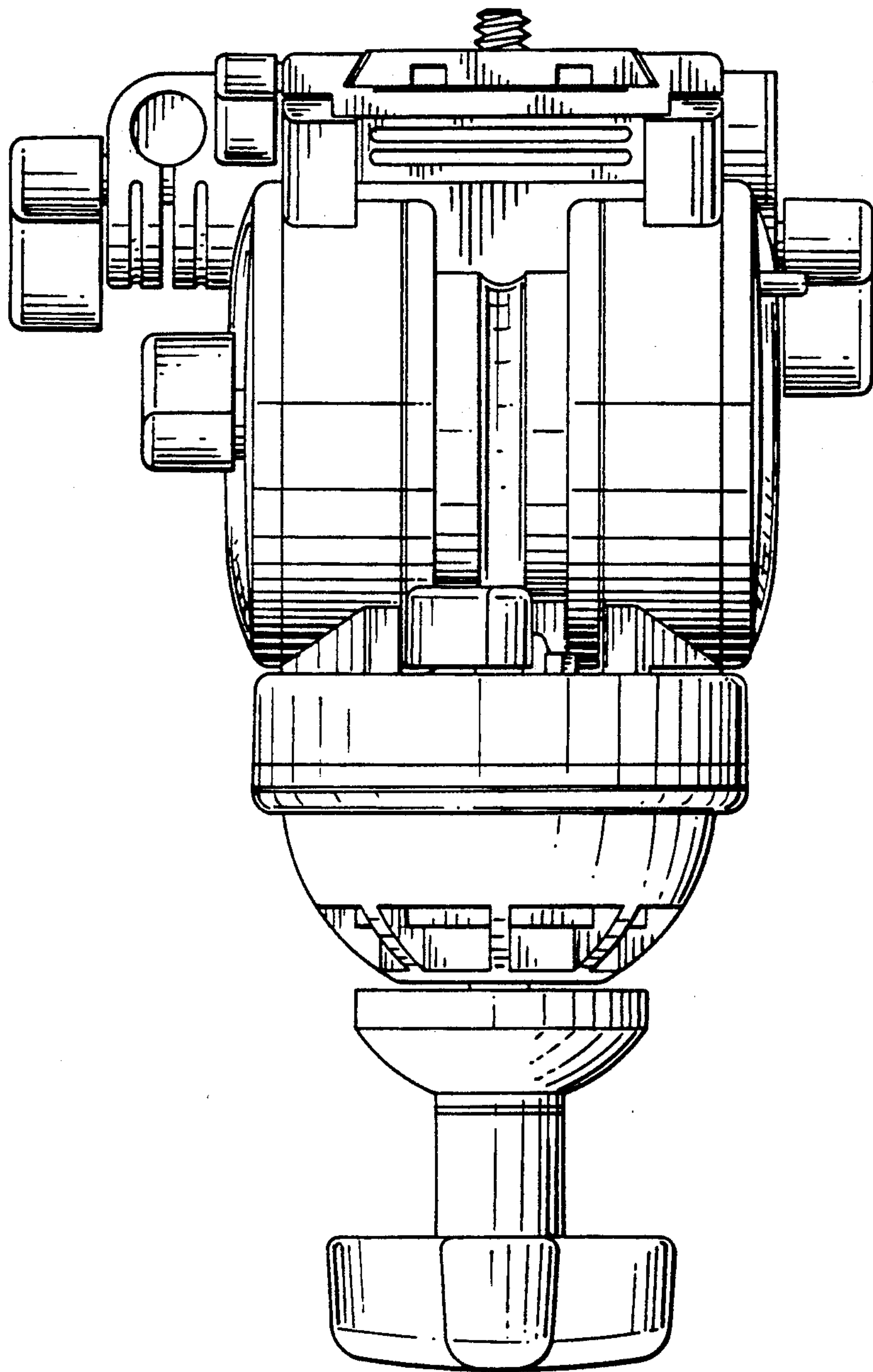


FIG. 4

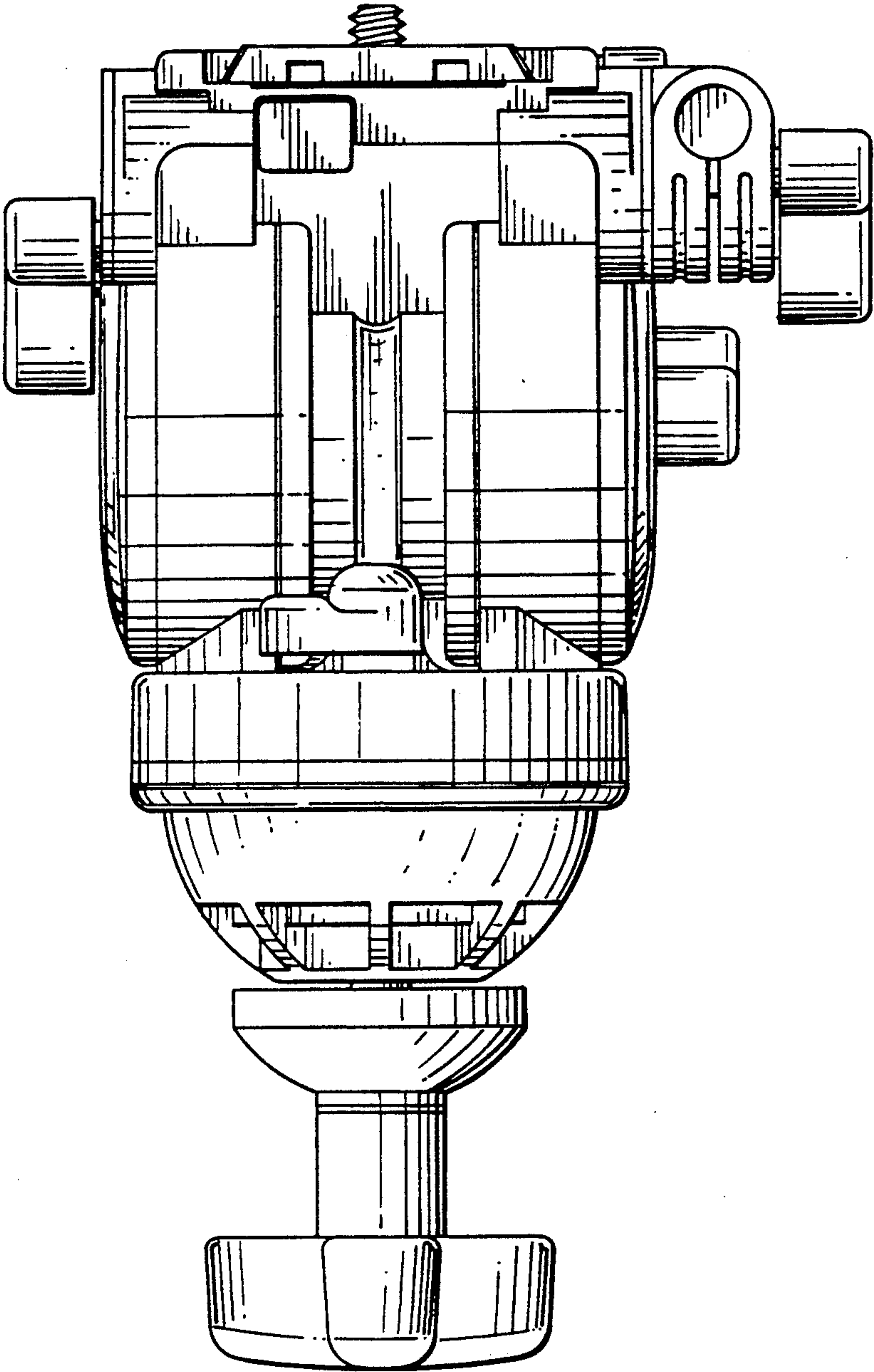


FIG. 5

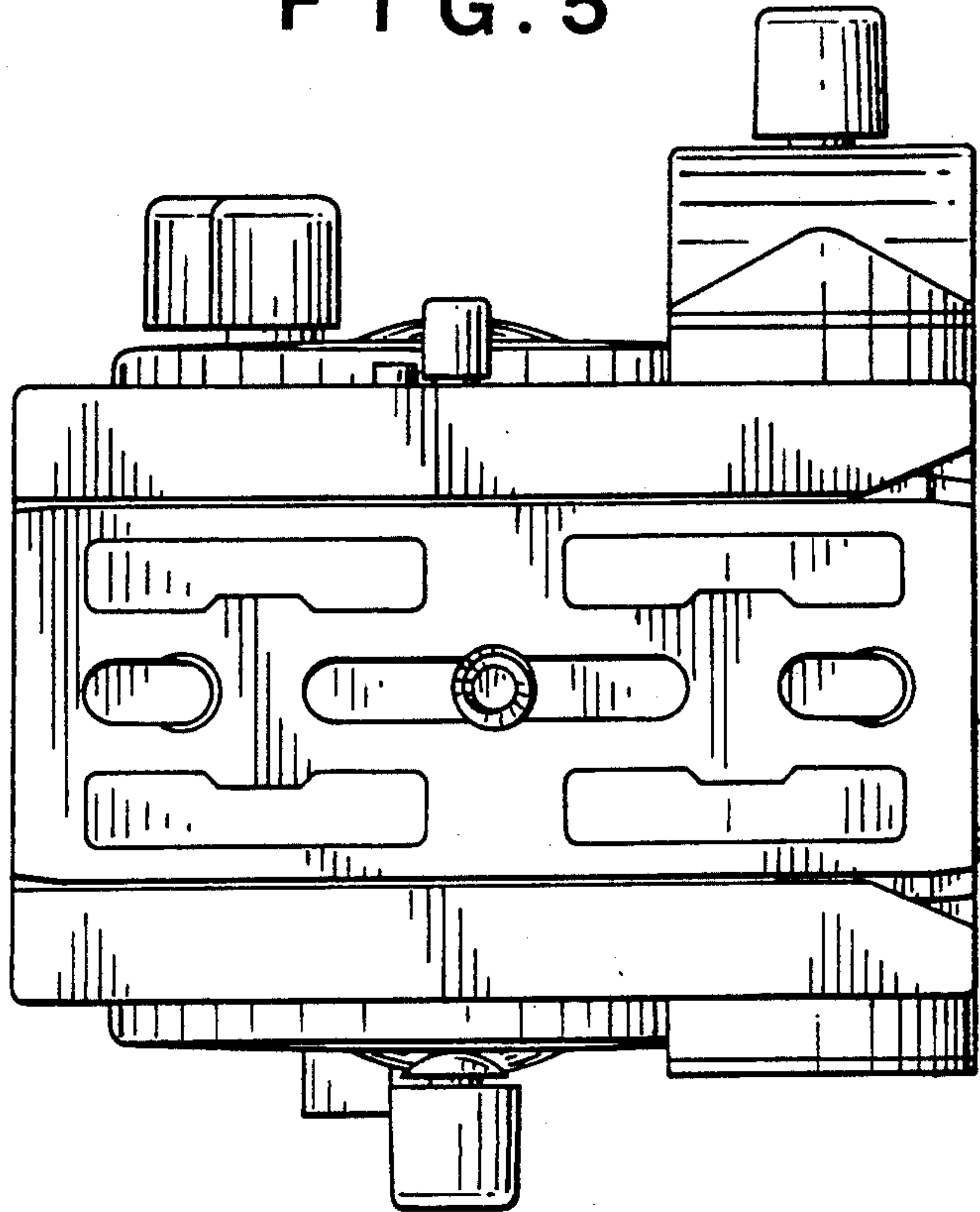


FIG. 6

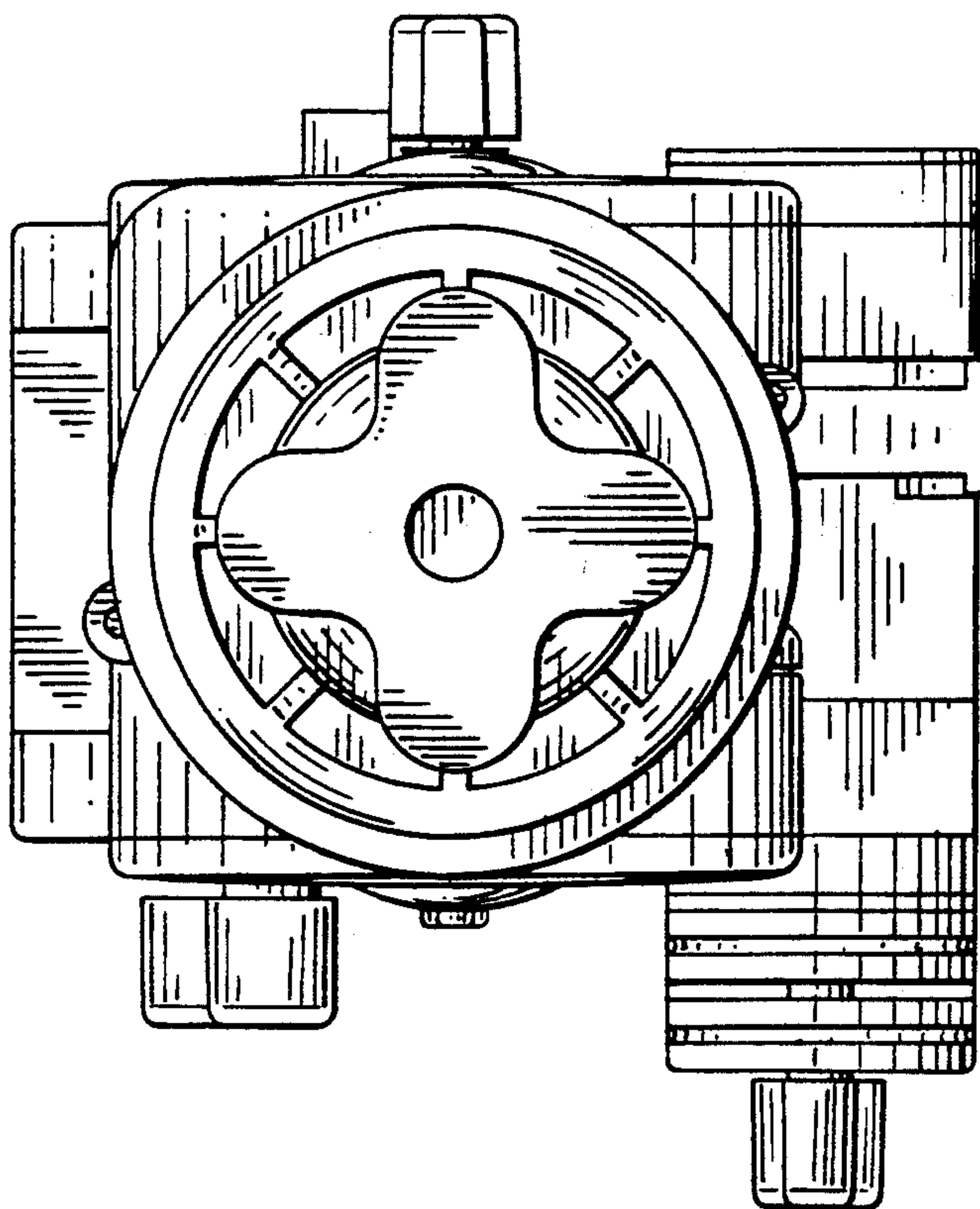


FIG. 7

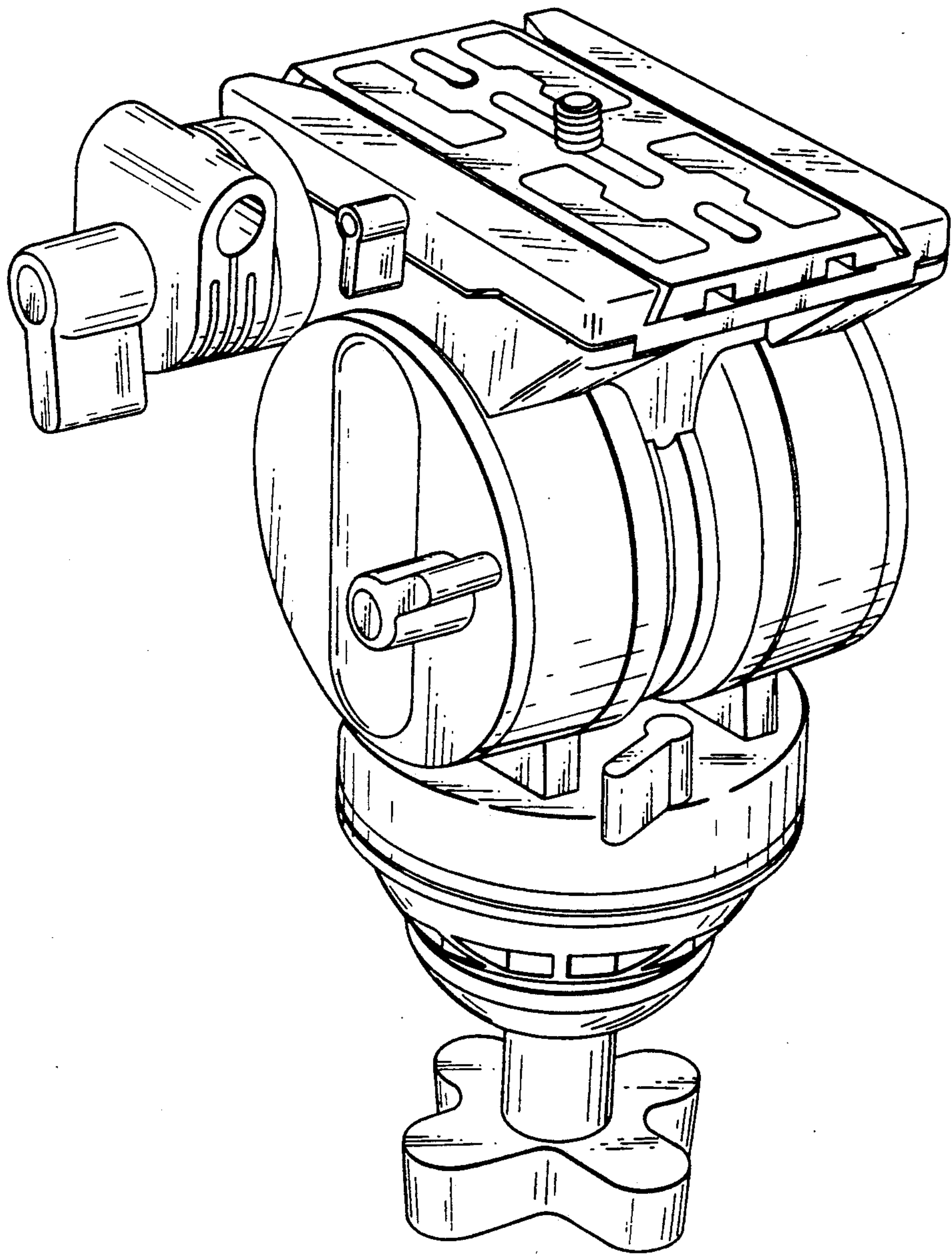


FIG. 8

