



US00D323338S

# United States Patent [19] Court

[11] Patent Number: **Des. 323,338**

[45] Date of Patent: **\*\* Jan. 21, 1992**

[54] **COLLAPSIBLE PROJECTION SCREEN**

[76] Inventor: **Nigel T. Court**, 5 Gracedale Road,  
London SW16 6SW, England

[\*\*] Term: **14 Years**

[21] Appl. No.: **342,442**

[22] Filed: **Apr. 24, 1989**

**Related U.S. Application Data**

[63] Continuation-in-part of Ser. No. 918,857, Oct. 14, 1986,  
abandoned.

[30] **Foreign Application Priority Data**

Apr. 14, 1986 [GB] United Kingdom ..... 1033447  
[52] U.S. Cl. .... **D16/241**; 160/24  
[58] Field of Search ..... **D16/241**; 350/117;  
D6/300; D18/36, 38; 160/24

[56] **References Cited**

**U.S. PATENT DOCUMENTS**

D. 219,408 12/1970 Frish ..... D16/241  
D. 284,875 7/1986 Howard ..... D16/241  
D. 300,041 2/1989 Kurozumi et al. .... D18/36

D. 312,008 11/1990 Speed et al. .... D6/300  
1,835,642 12/1931 Friedland ..... 350/117  
2,272,269 2/1942 Heck ..... 160/24  
2,611,427 9/1952 Du Mais et al. .... 160/24  
3,592,255 7/1971 Potter et al. .... 160/24  
3,640,601 2/1972 Murray ..... 350/117  
3,942,869 3/1976 Portner ..... 350/117

**FOREIGN PATENT DOCUMENTS**

1144898 7/1965 United Kingdom ..... 350/117

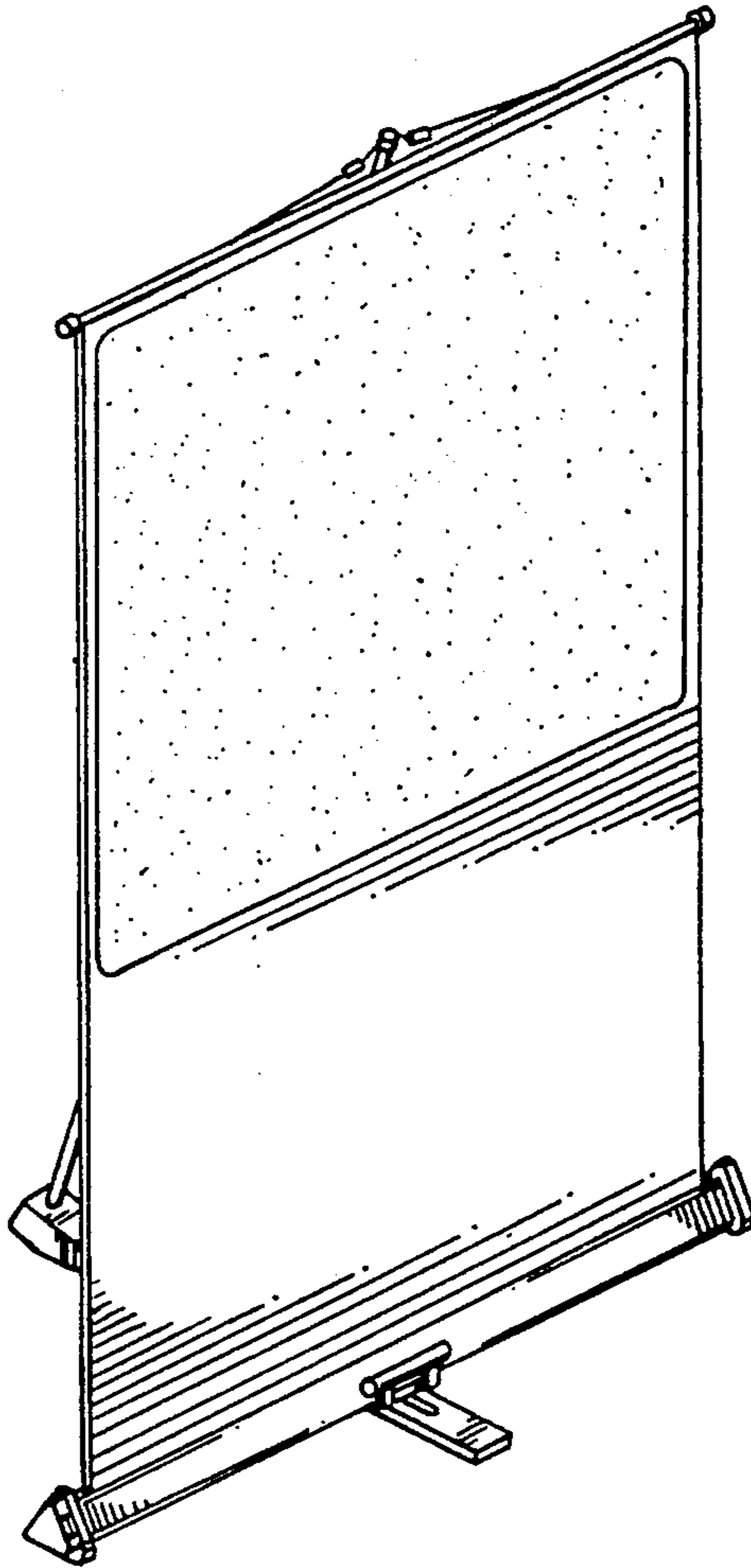
*Primary Examiner*—Bernard Ansher  
*Assistant Examiner*—Adir Aronovich  
*Attorney, Agent, or Firm*—Shoemaker and Mattare, Ltd.

[57] **CLAIM**

The ornamental design for a collapsible projection screen, as shown and described.

**DESCRIPTION**

FIG. 1 is a front elevational view of a collapsible projection screen in an erect position showing my new design;  
FIG. 2 is a rear elevational view thereof;  
FIG. 3 is a left side elevational view thereof;  
FIG. 4 is a right side elevational view thereof; and  
FIG. 5 is a top plan view thereof.



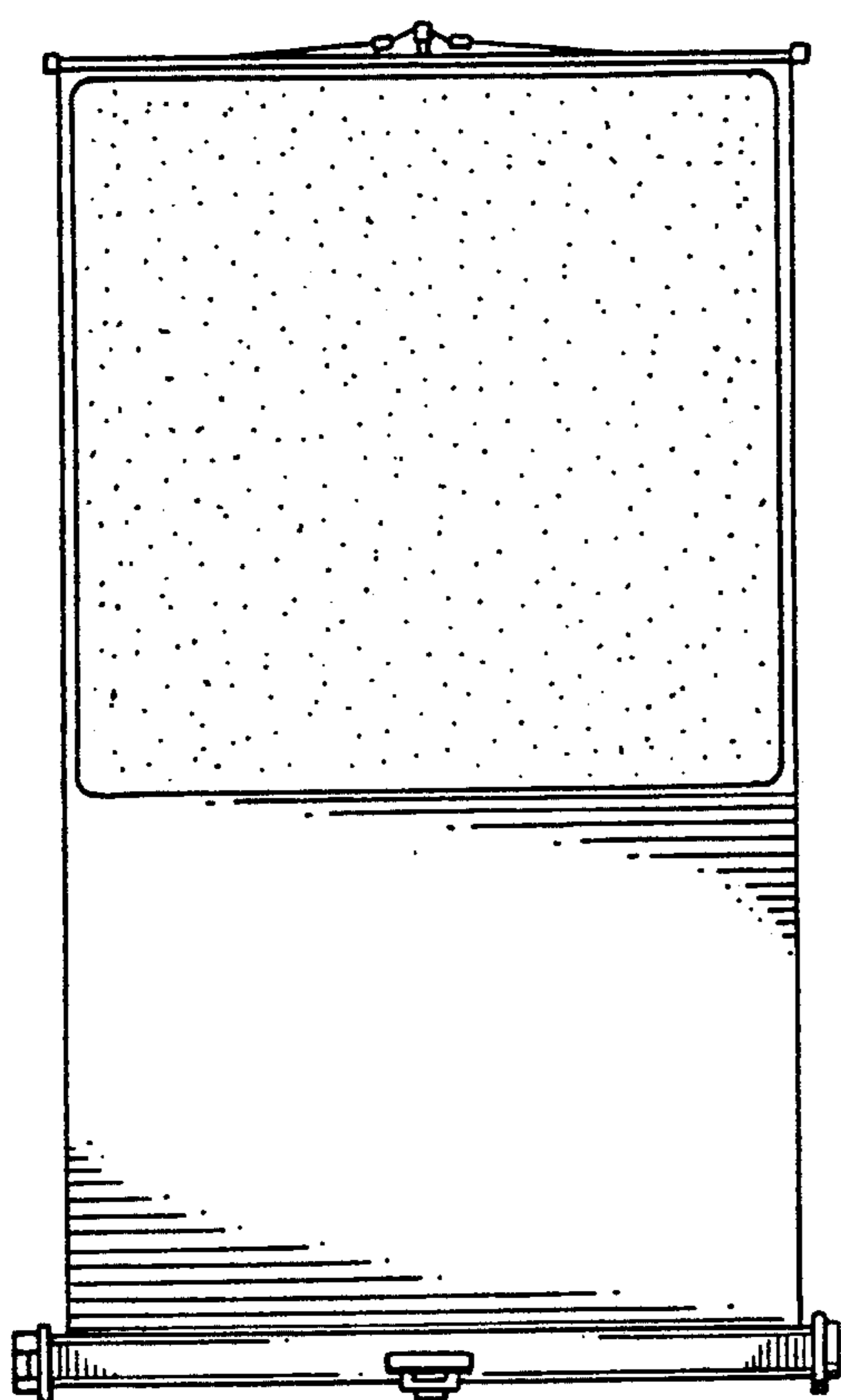


FIG. 1.

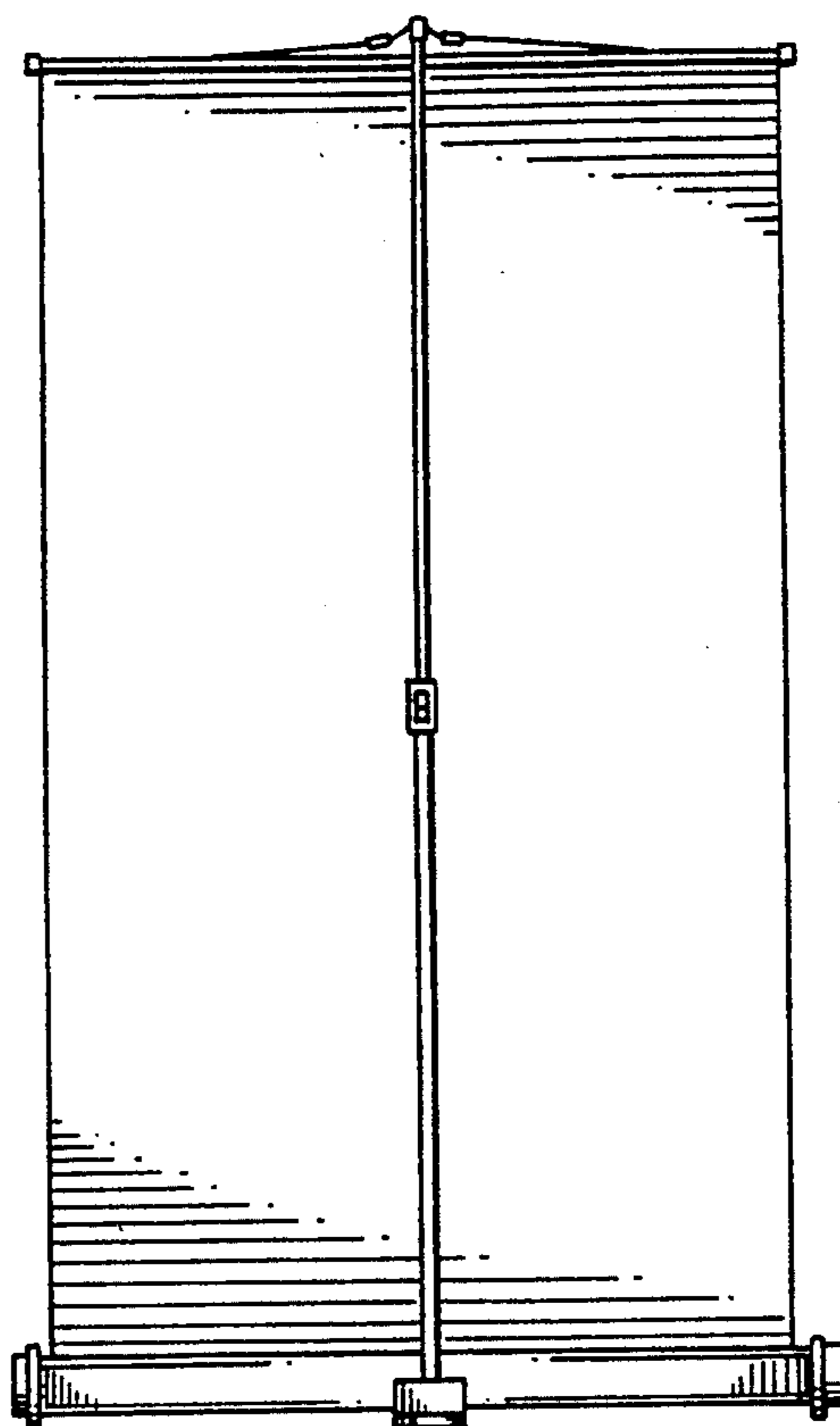


FIG. 2.

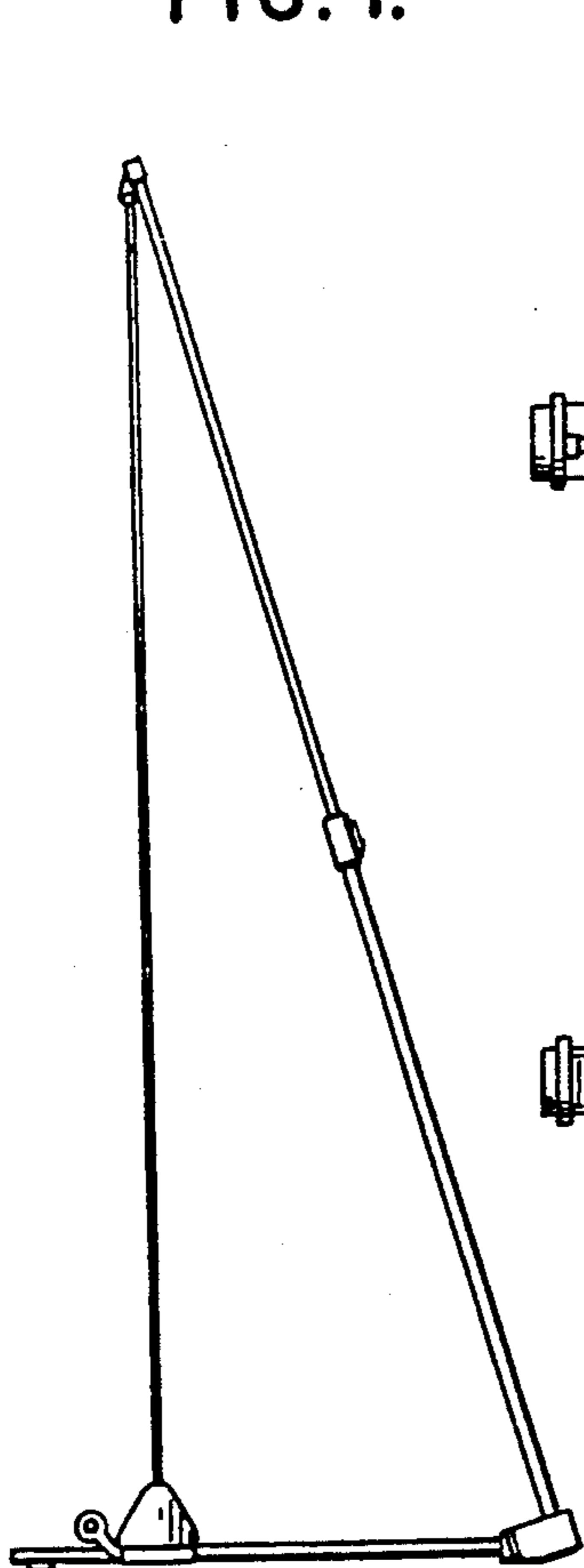


FIG. 3.

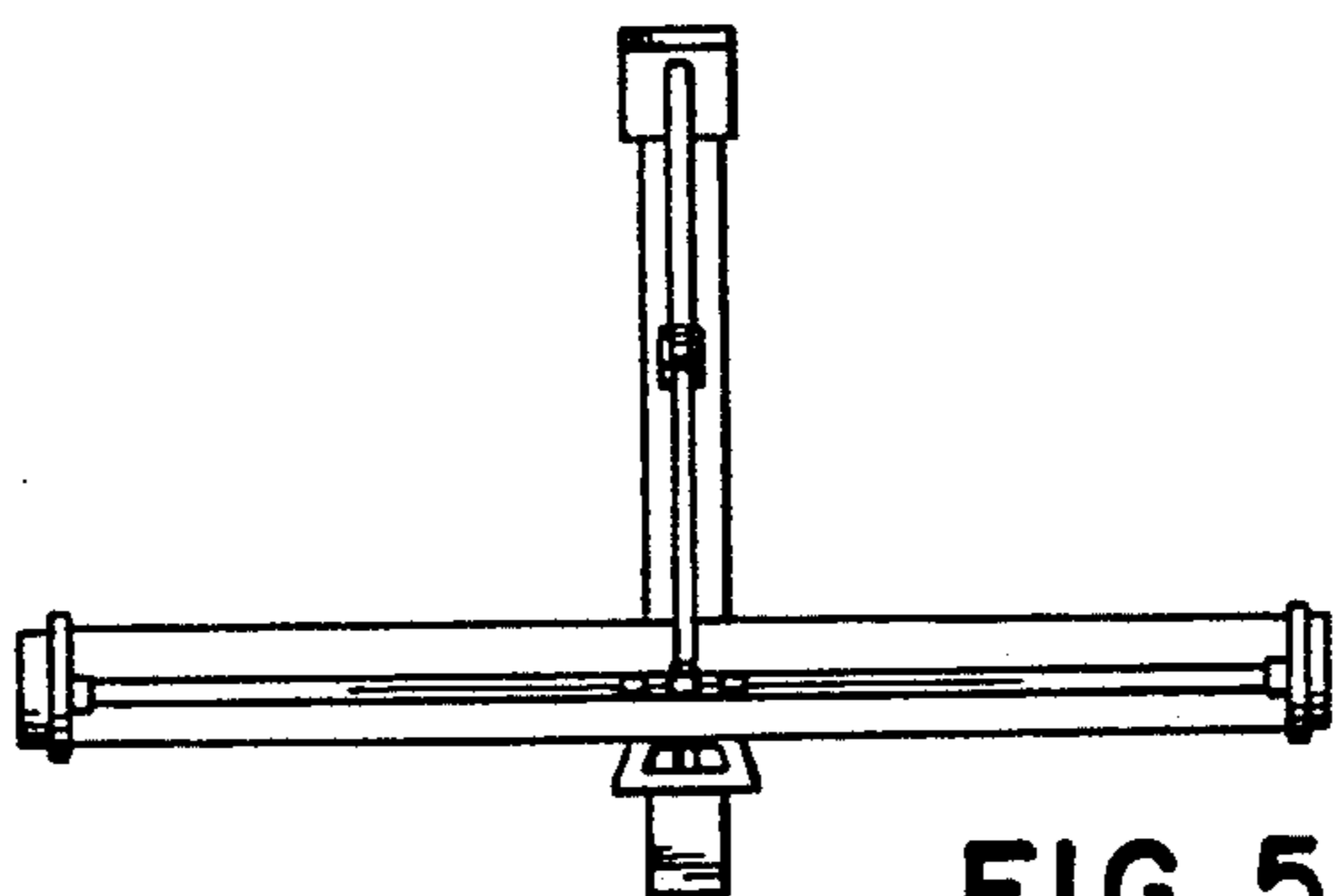


FIG. 5.

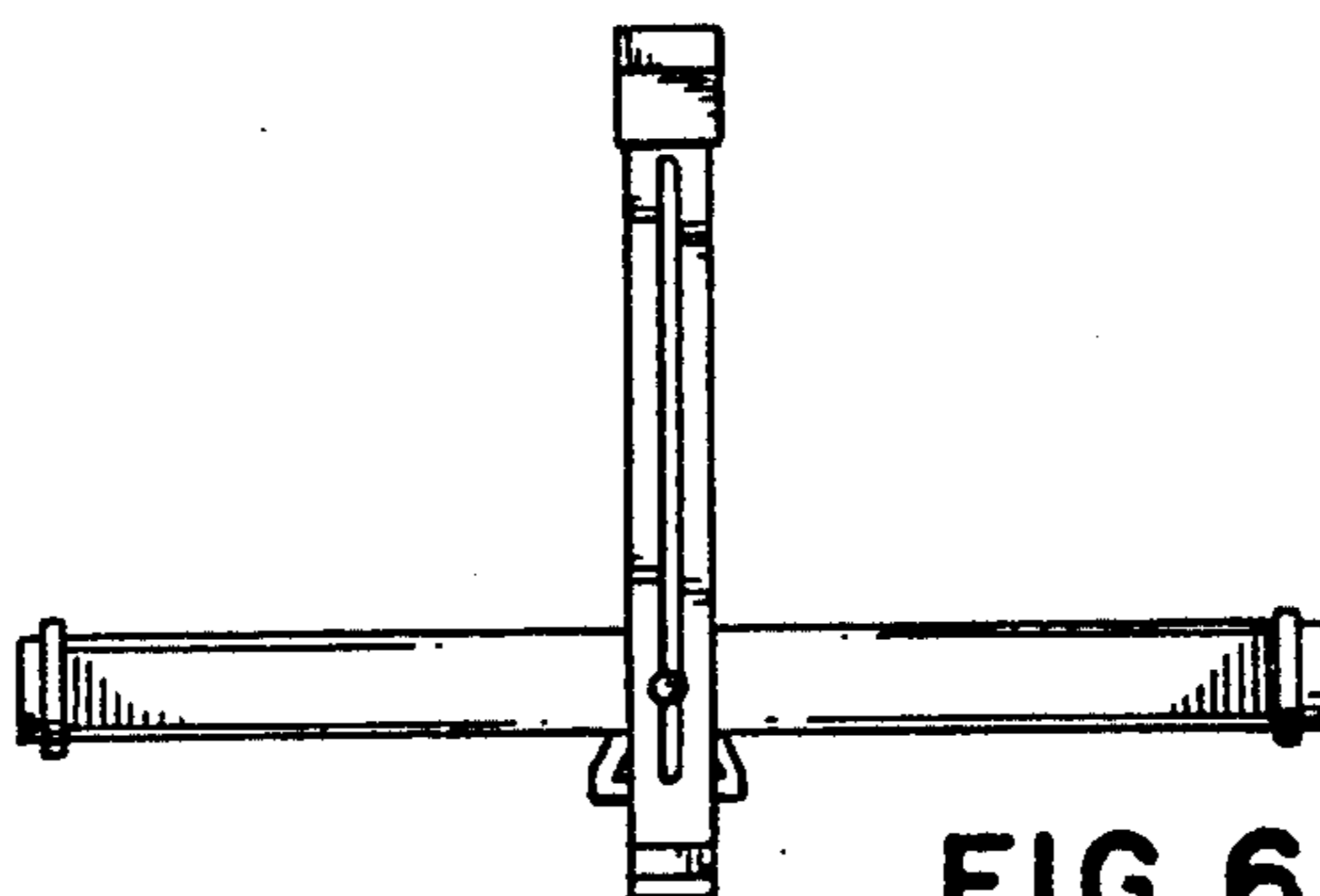


FIG. 6.

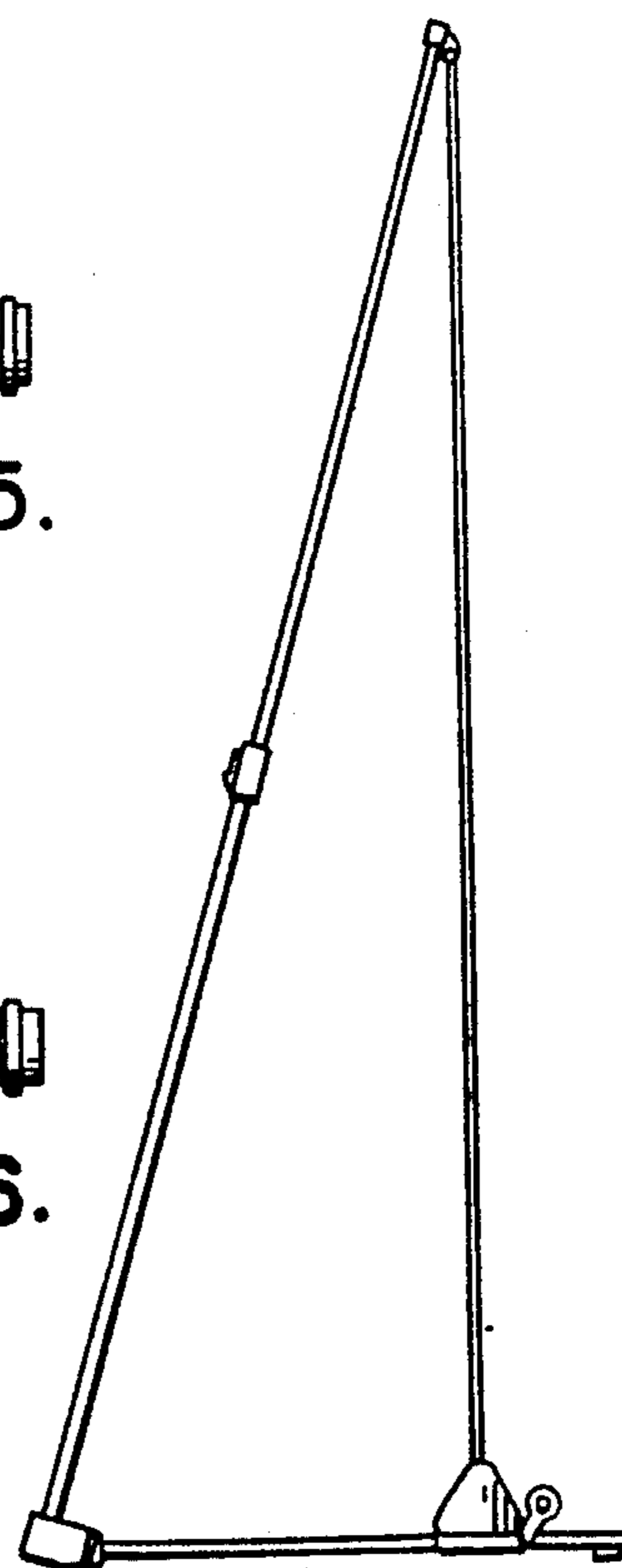


FIG. 4.

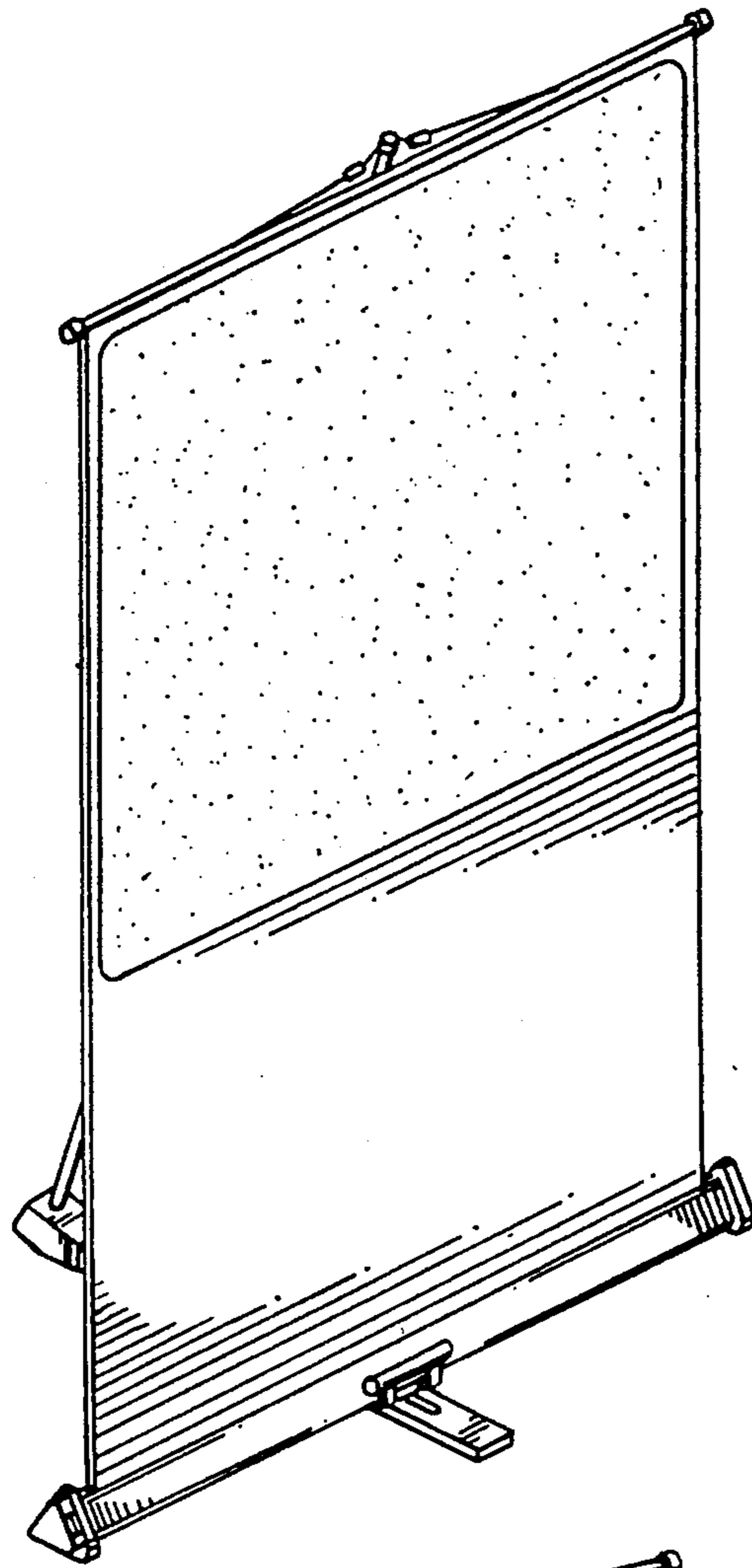


FIG. 7.

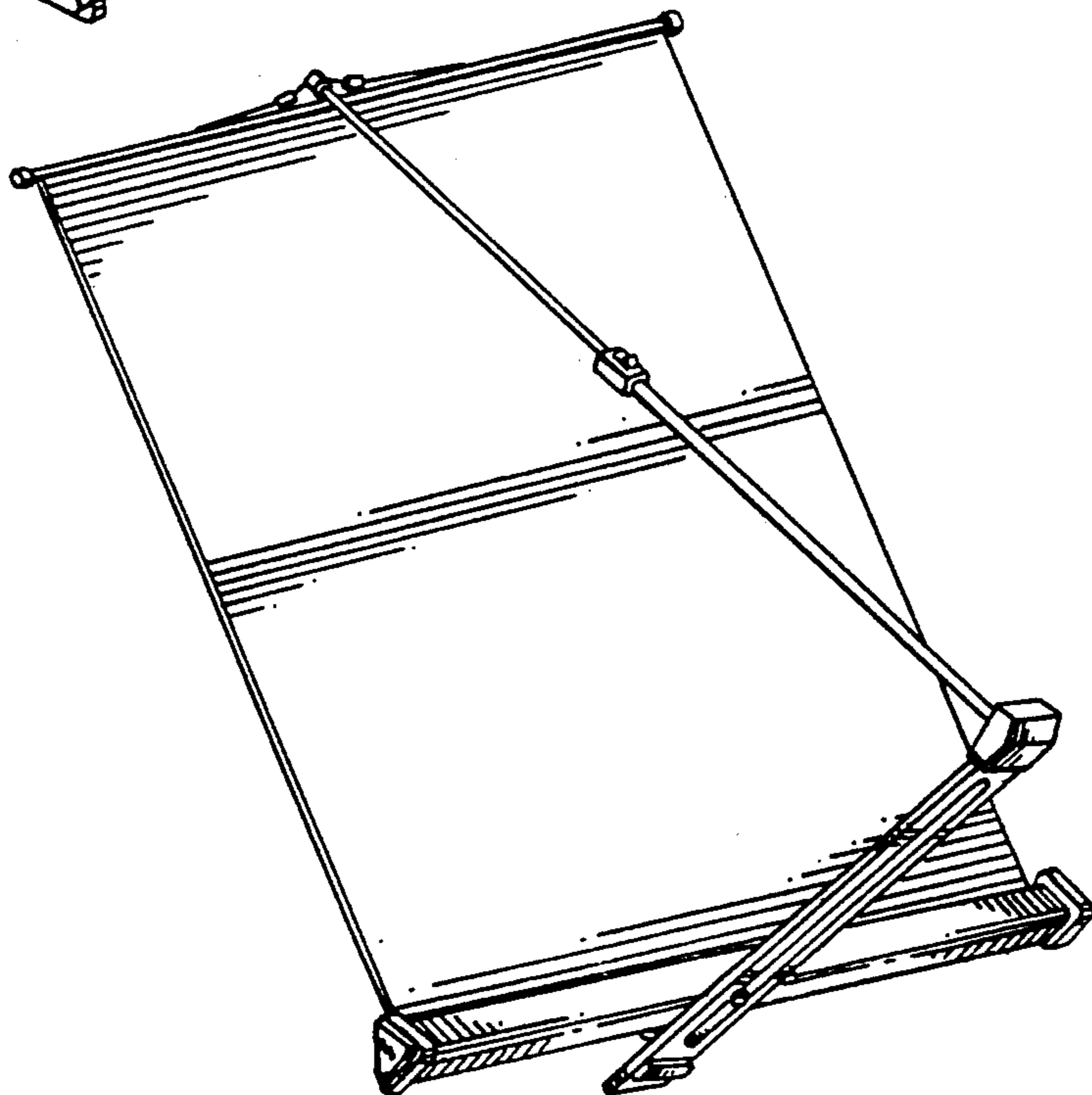


FIG. 8.