



US00D323334S

# United States Patent [19]

[11] Patent Number: **Des. 323,334**

Sugarman

[45] Date of Patent: **\*\* Jan. 21, 1992**

[54] SUNGLASSES .  
 [76] Inventor: **Joseph Sugarman**, 26 Princeville La.,  
 Las Vegas, Nev. 89113  
 [\*\*] Term: **14 Years**  
 [21] Appl. No.: **430,440**  
 [22] Filed: **Nov. 2, 1989**  
 [52] U.S. Cl. .... **D16/102**  
 [58] Field of Search ..... **D16/102, 104, 111, 112,**  
**D16/115, 116, 117, 118, 119, 122, 125, 127, 128;**  
**351/41, 44, 57, 59, 51, 83, 91, 103, 111; 2/426,**  
**427, 431, 438, 439, 448, 449; D21/240**

4,929,075 5/1990 Eliakim ..... 351/59

### FOREIGN PATENT DOCUMENTS

400610 10/1965 Switzerland ..... 351/41

*Primary Examiner*—Bernard Ansher  
*Assistant Examiner*—R. Barkai  
*Attorney, Agent, or Firm*—Gerstman & Ellis, Ltd.

### [56] References Cited

#### U.S. PATENT DOCUMENTS

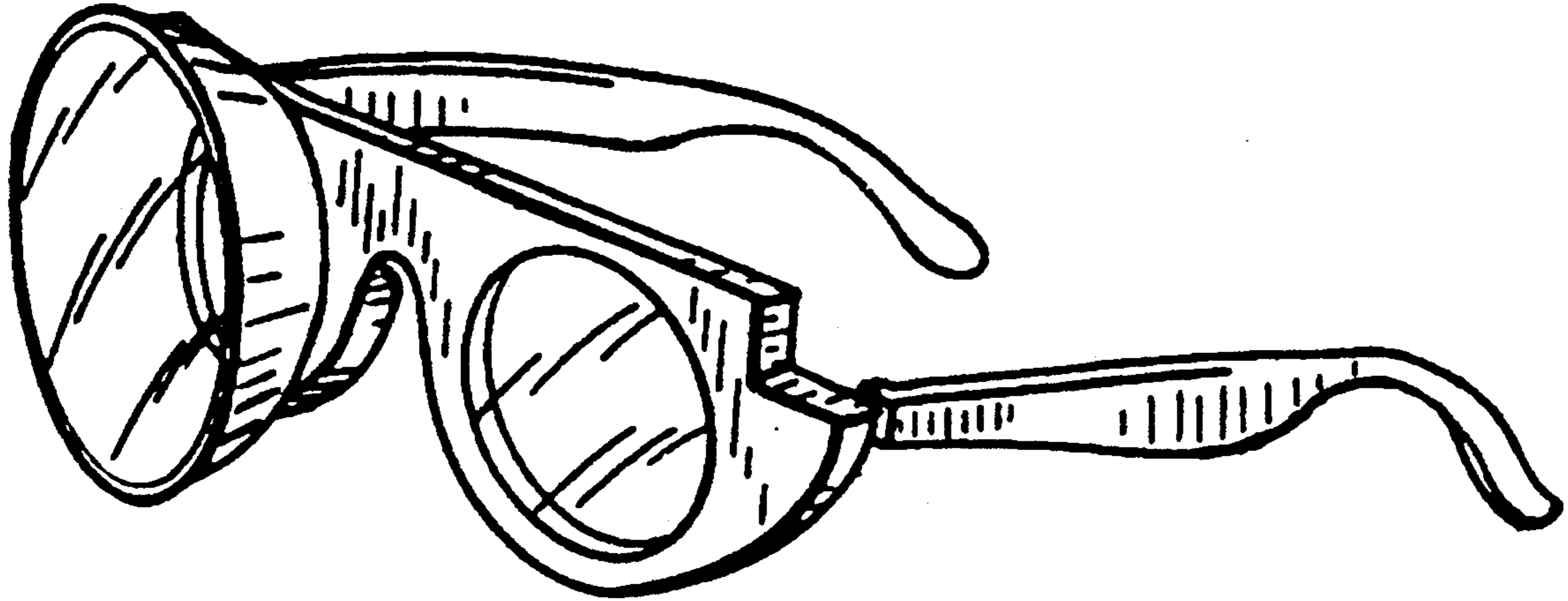
D. 125,766 3/1941 Haag ..... D16/122  
 D. 171,852 3/1954 Hoffmaster ..... D16/122  
 D. 204,697 5/1966 Glass et al. .... D16/122  
 4,429,959 2/1984 Walters ..... 351/57

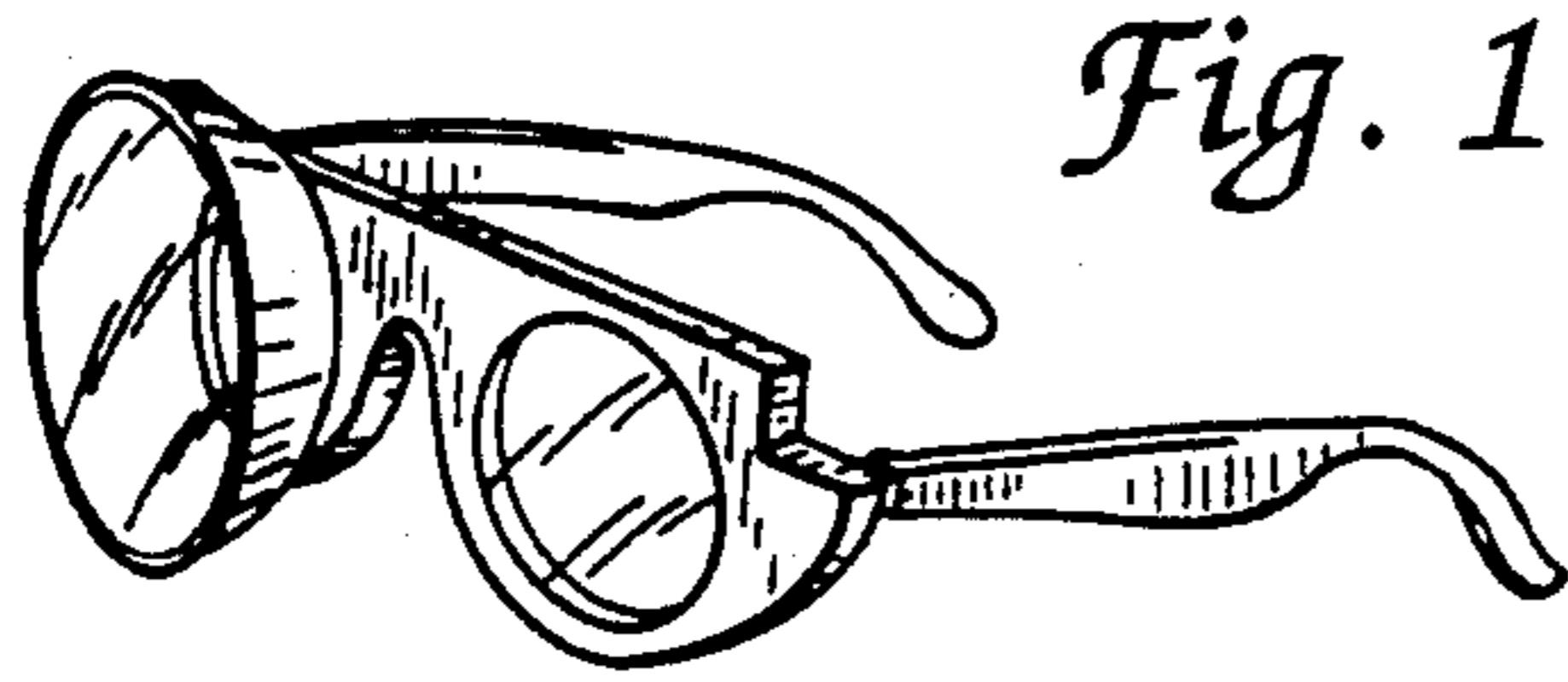
### [57] CLAIM

The ornamental design for sunglasses, as shown.

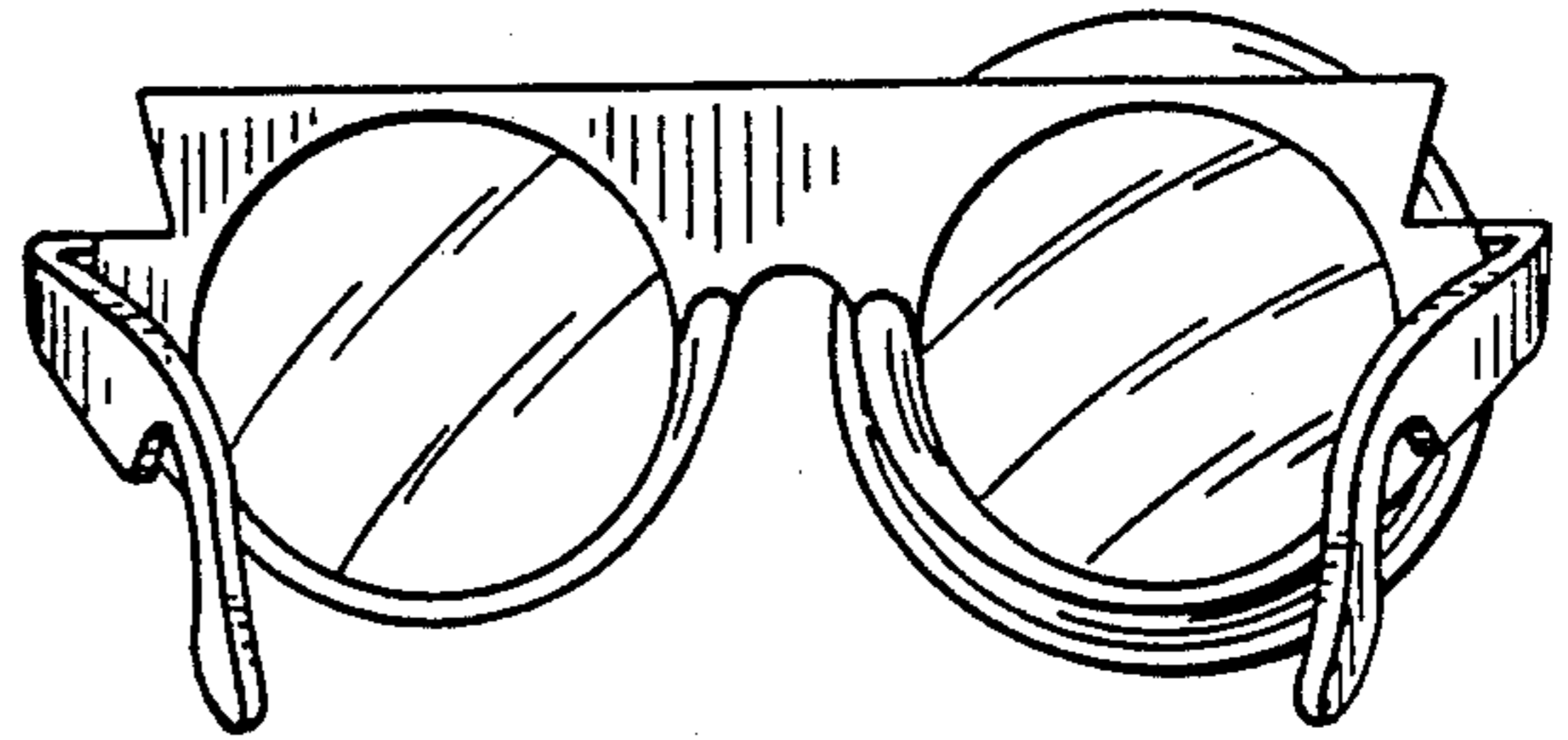
### DESCRIPTION

FIG. 1 is a perspective view of sunglasses showing my new design;  
 FIG. 2 is a top plan view thereof;  
 FIG. 3 is a front elevational view thereof;  
 FIG. 4 is a right side elevational view thereof;  
 FIG. 5 is a left side elevational view thereof;  
 FIG. 6 is a rear elevational view thereof; and  
 FIG. 7 is a bottom plan view thereof.



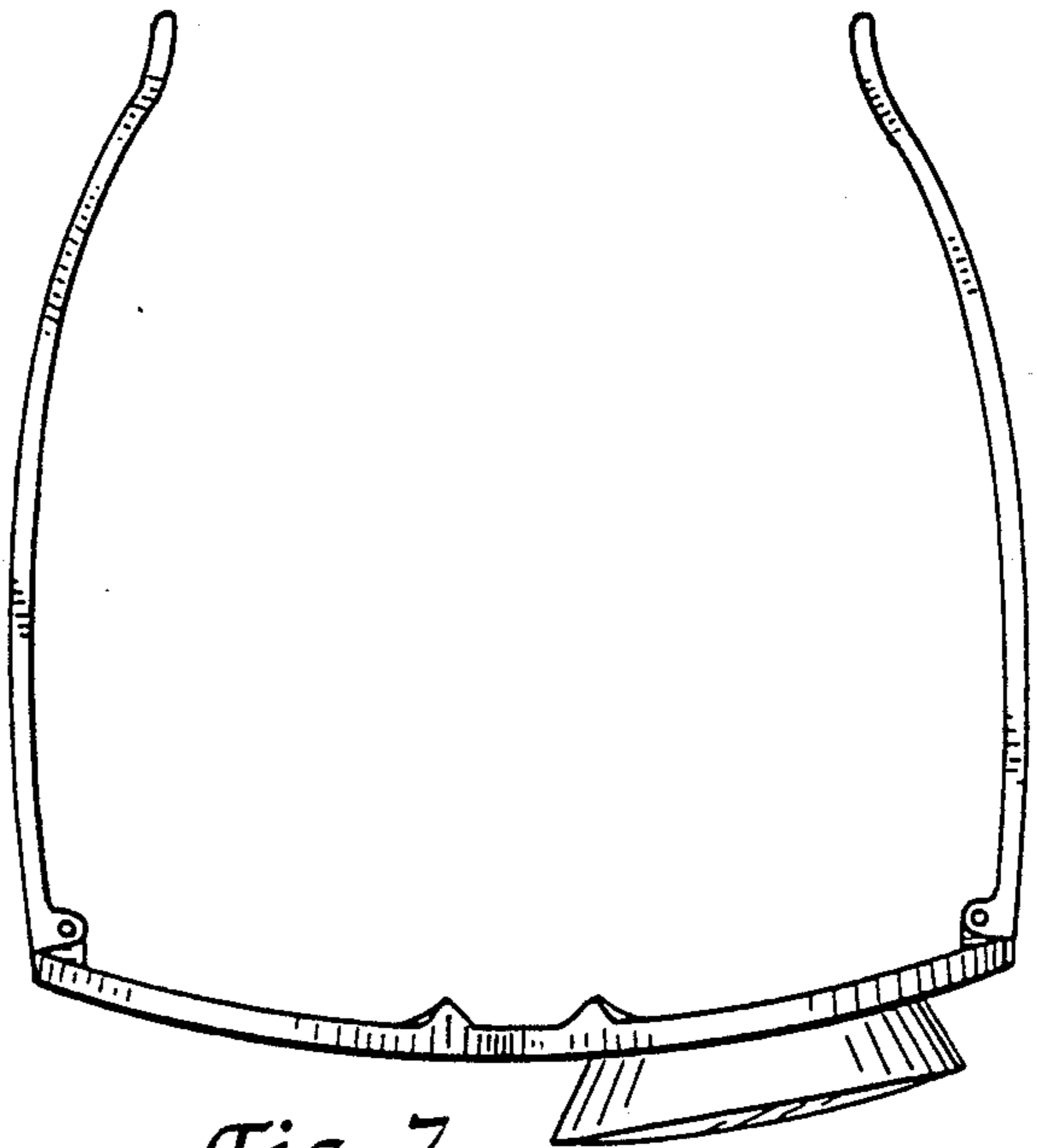
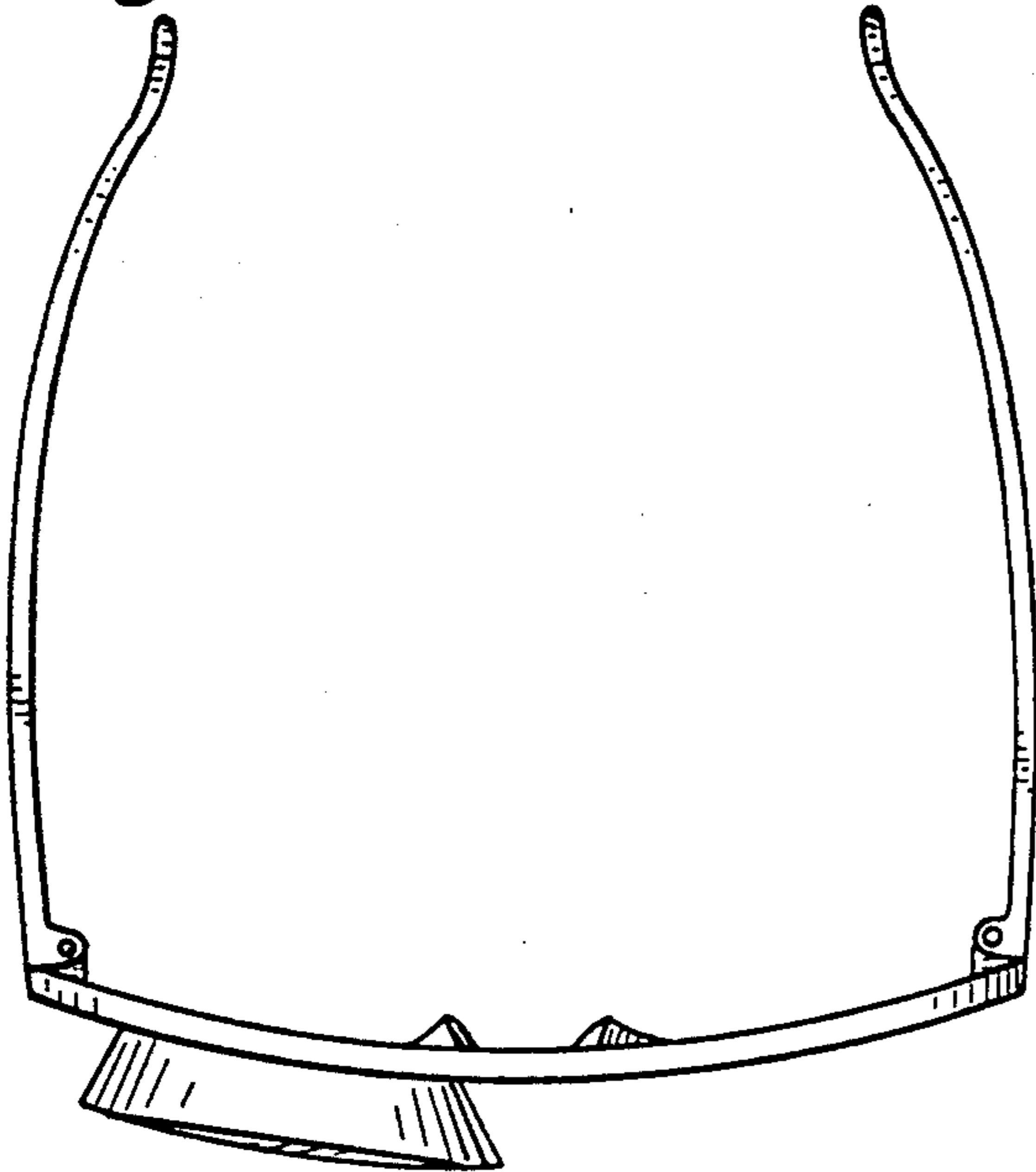


*Fig. 1*

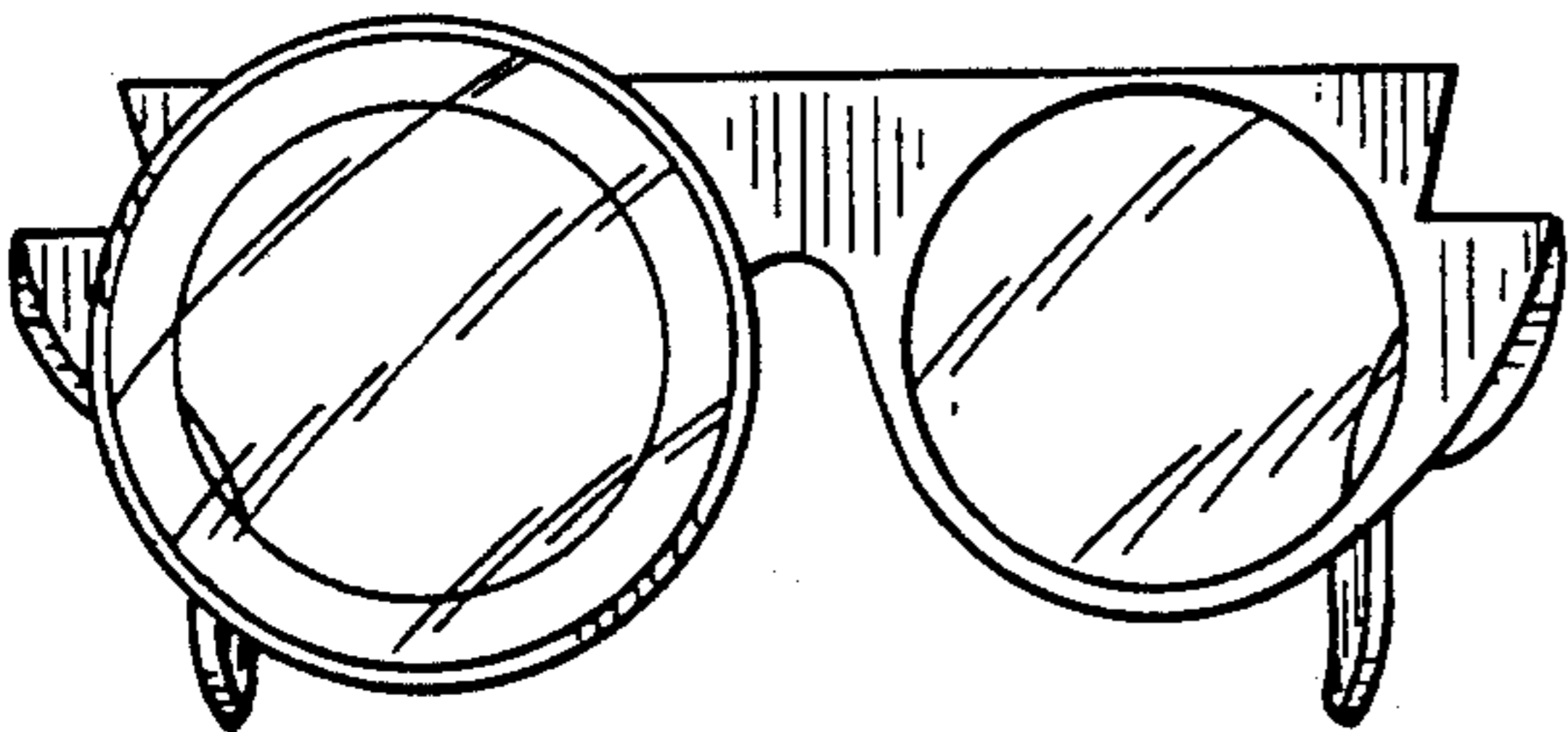


*Fig. 6*

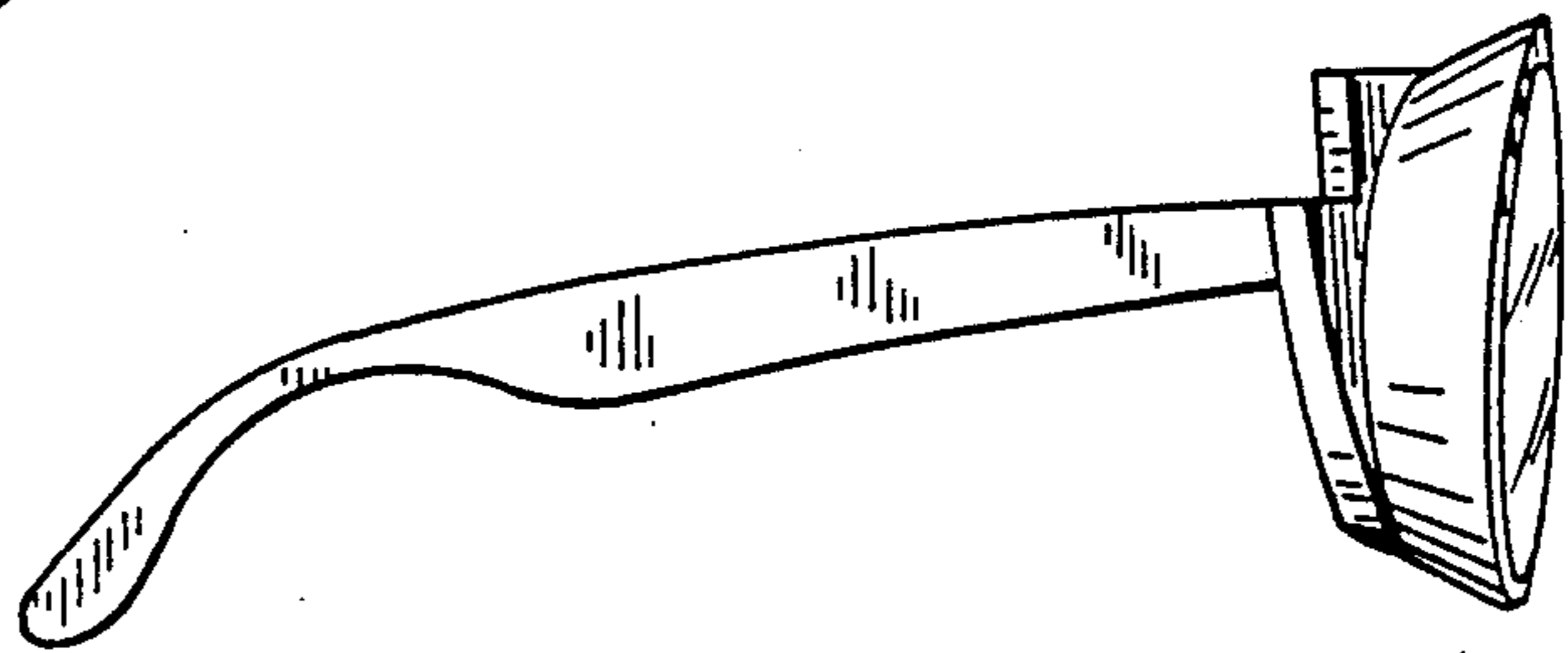
*Fig. 2*



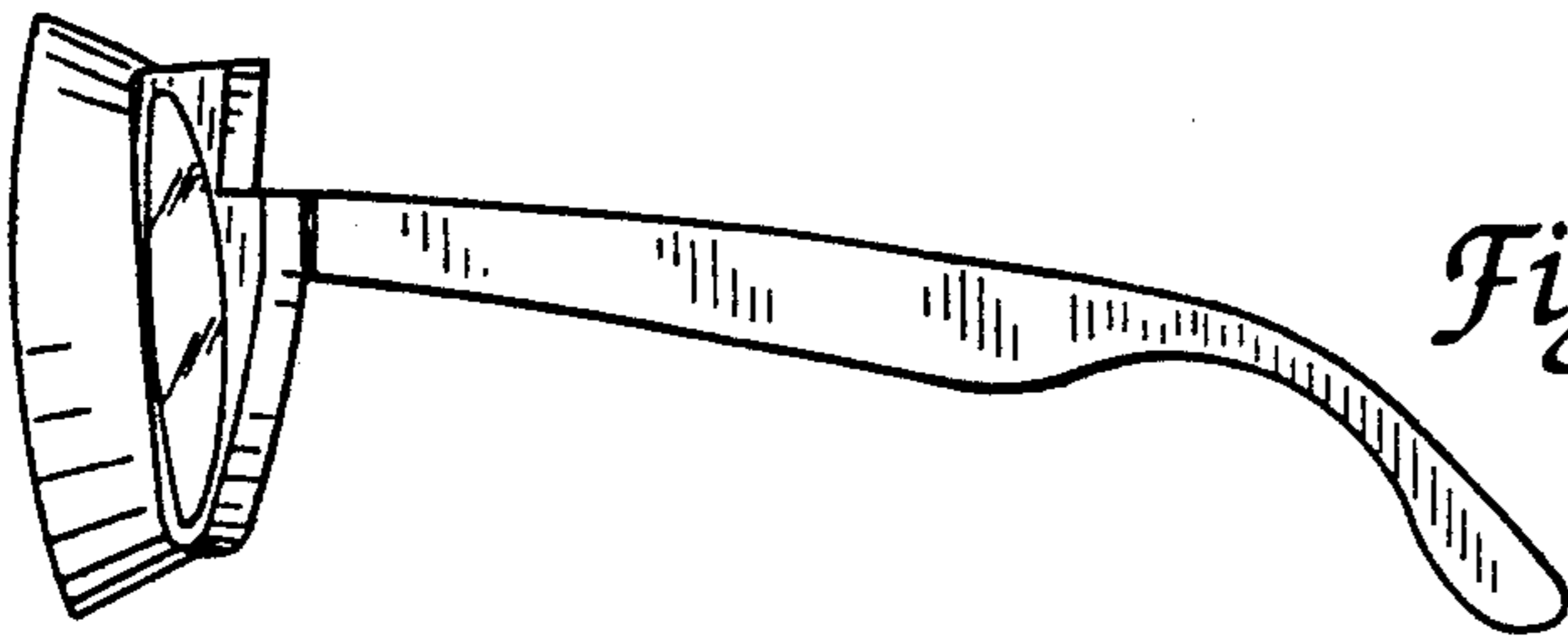
*Fig. 7*



*Fig. 3*



*Fig. 5*



*Fig. 4*