



US00D323331S

# United States Patent [19]

[11] Patent Number: **Des. 323,331**

Wang

[45] Date of Patent: **\*\* Jan. 21, 1992**

[54] **ADJUSTABLE GRINDER**

D. 309,147 7/1990 Kronthaler ..... D15/133

[76] Inventor: **Tian-Wang Wang**, No. 110-23, Hsin Pin Rd., Tai Pin Hsiang, Taichung Hsien, Taiwan

*Primary Examiner*—Bruce W. Dunkins  
*Assistant Examiner*—Antonie D. Davis  
*Attorney, Agent, or Firm*—Varndell Legal Group

[\*\*] Term: **14 Years**

[57] **CLAIM**

[21] Appl. No.: **250,810**

The ornamental design for an adjustable grinder, as shown and described.

[22] Filed: **Sep. 29, 1988**

[52] U.S. Cl. .... **D15/125**

**DESCRIPTION**

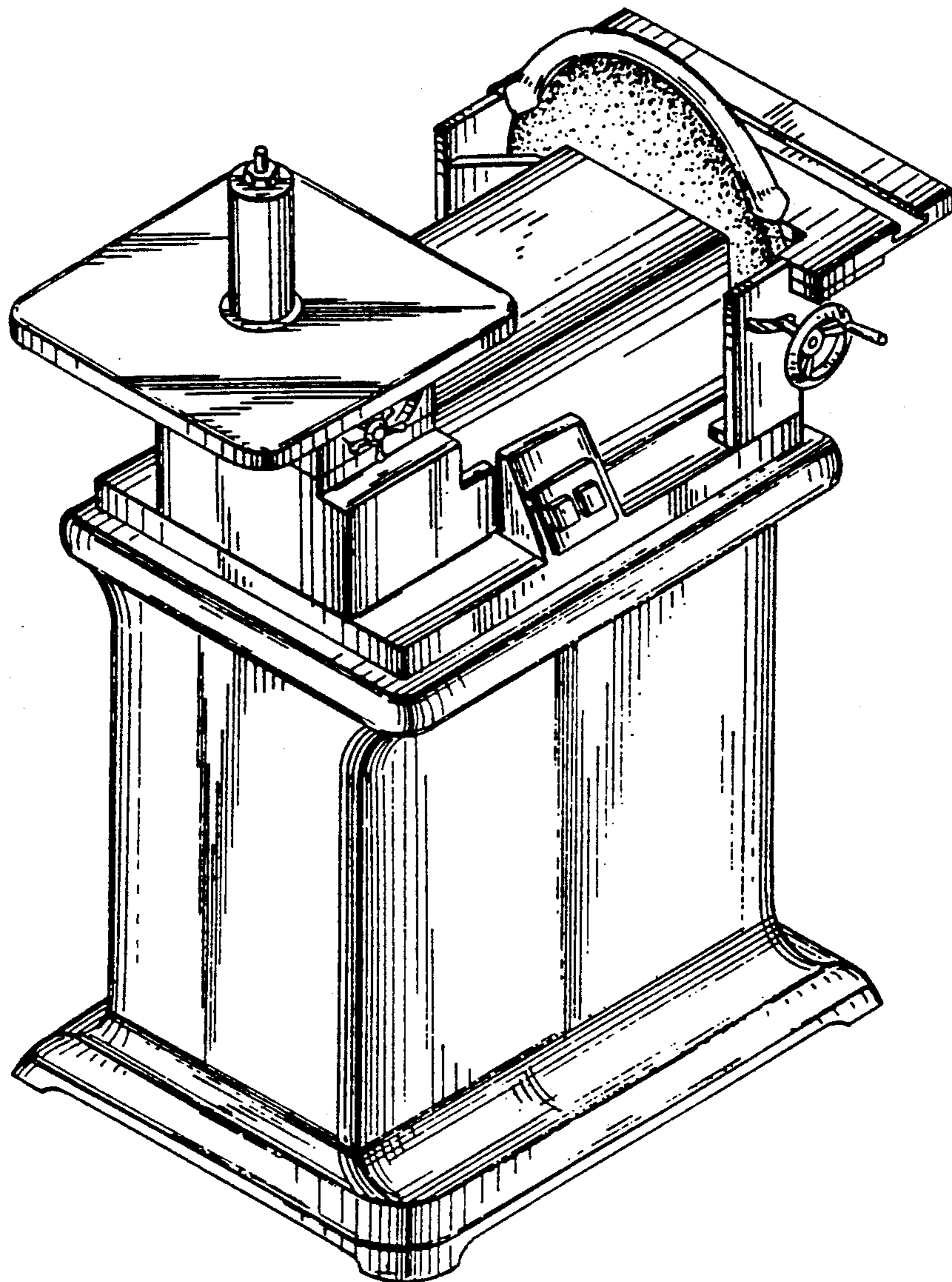
[58] Field of Search ..... **D15/124, 125, 126; 51/135 R; 144/118, 119 R, 120, 130**

**FIG. 1** is a top, front and left side elevational view of an adjustable grinder showing my new design; **FIG. 2** is a front elevational view; **FIG. 3** is a rear elevational view; **FIG. 4** is a left side elevational view; **FIG. 5** is a right side elevational view; and **FIG. 6** is a top plan view thereof.

[56] **References Cited**

**U.S. PATENT DOCUMENTS**

- D. 119,639 3/1940 Ringsrub ..... D15/124
- D. 121,245 6/1940 Hollengreen et al. .... D15/124



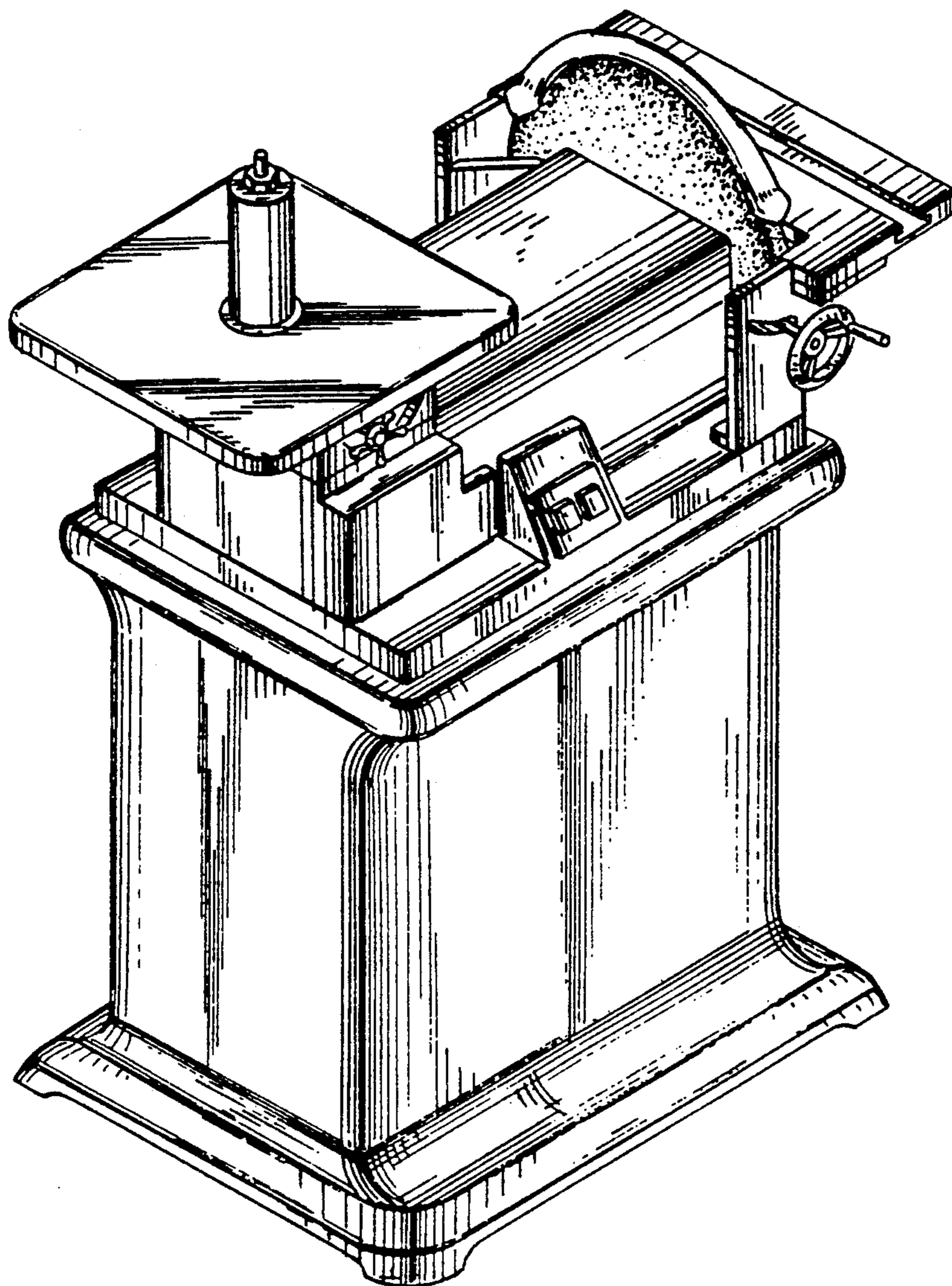


Fig . 1

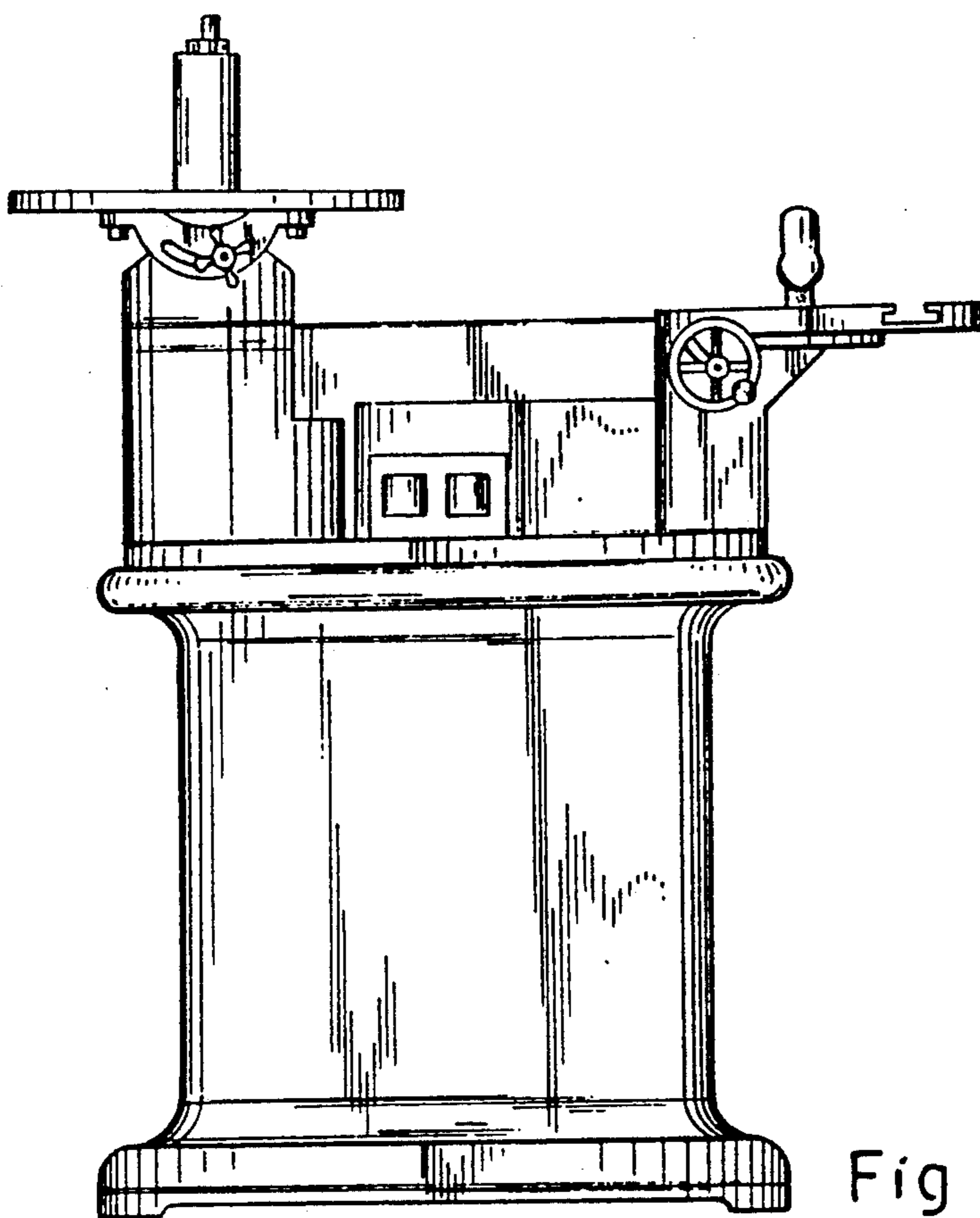


Fig. 2

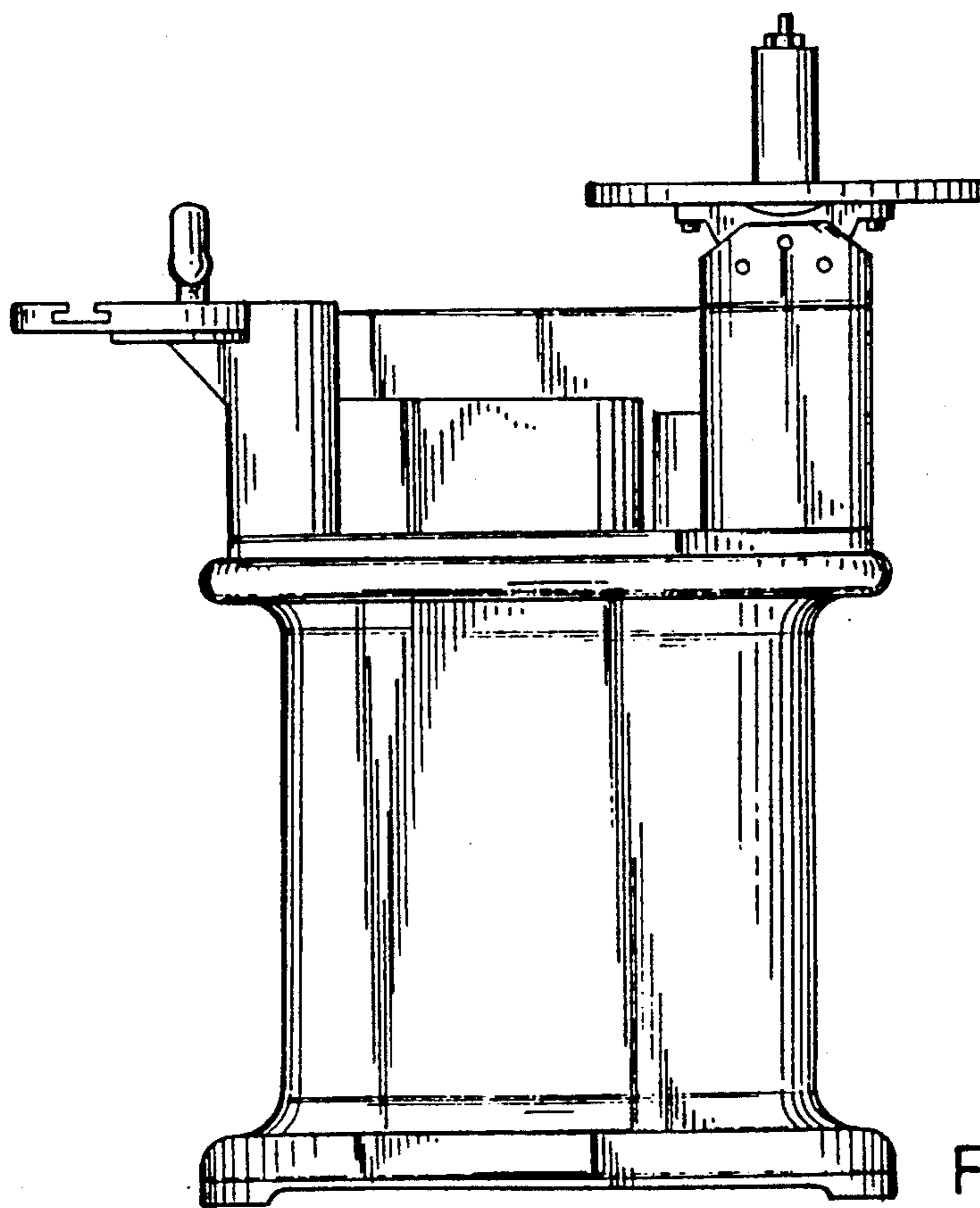


Fig. 3



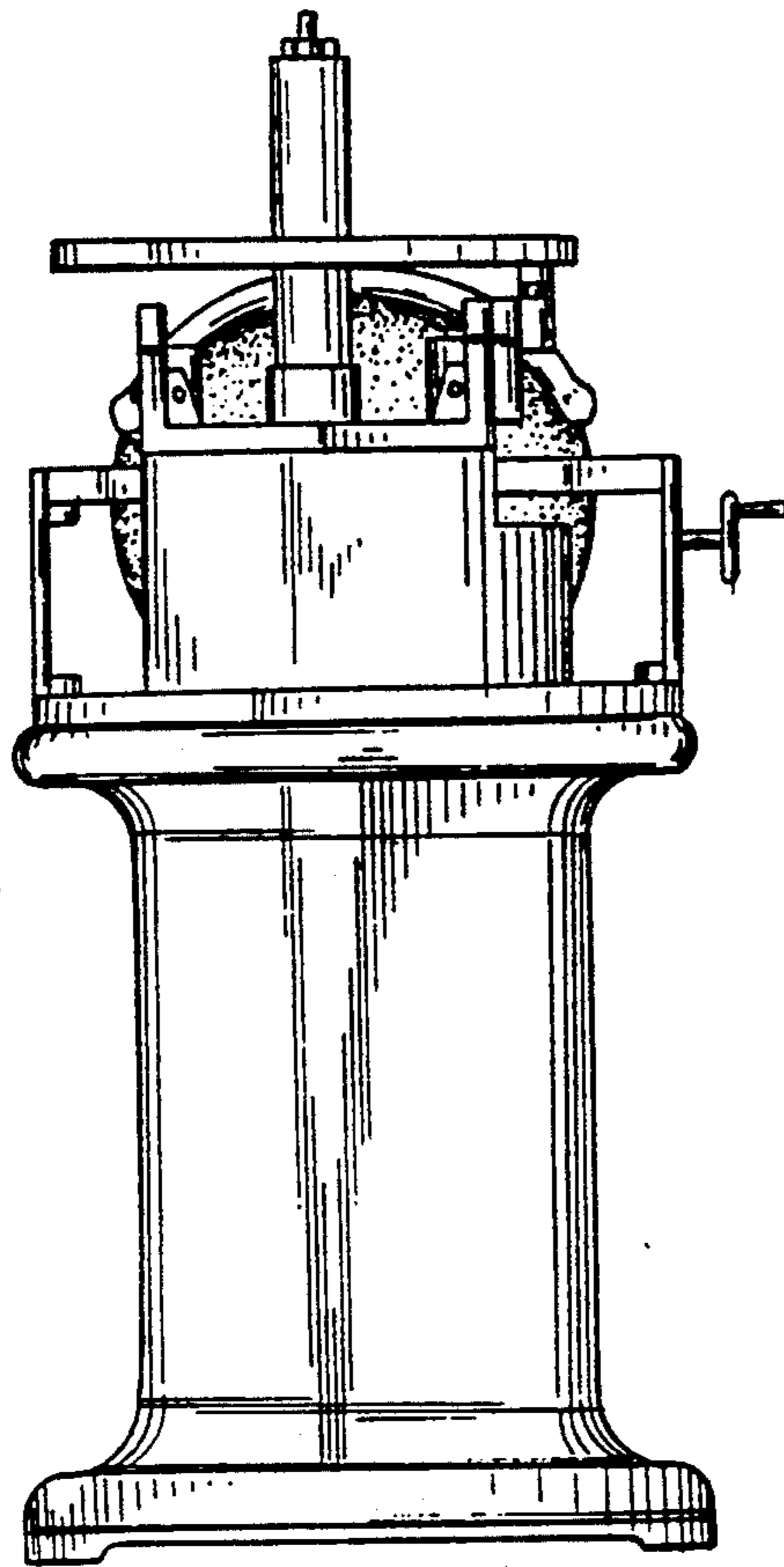


Fig. 4

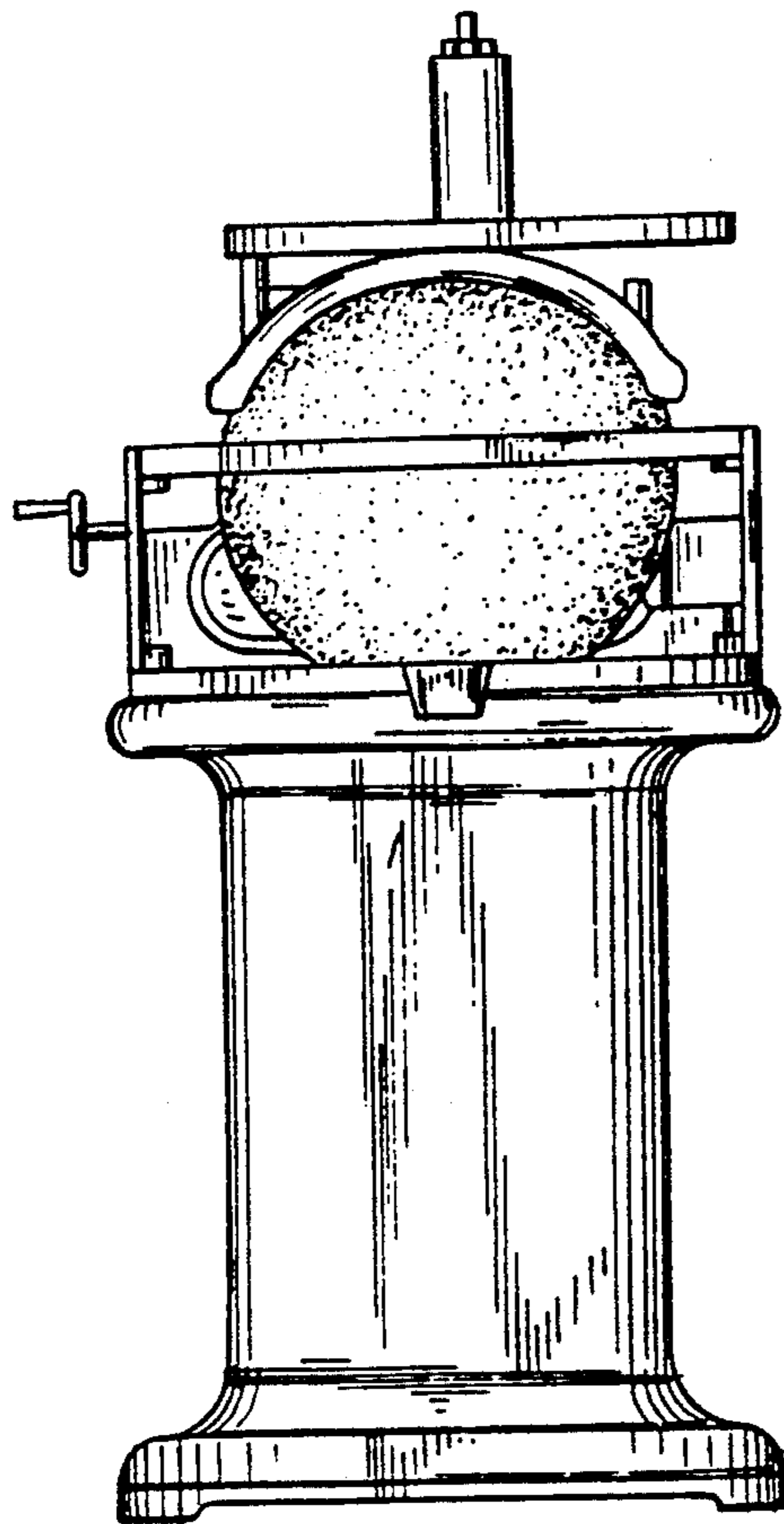


Fig. 5

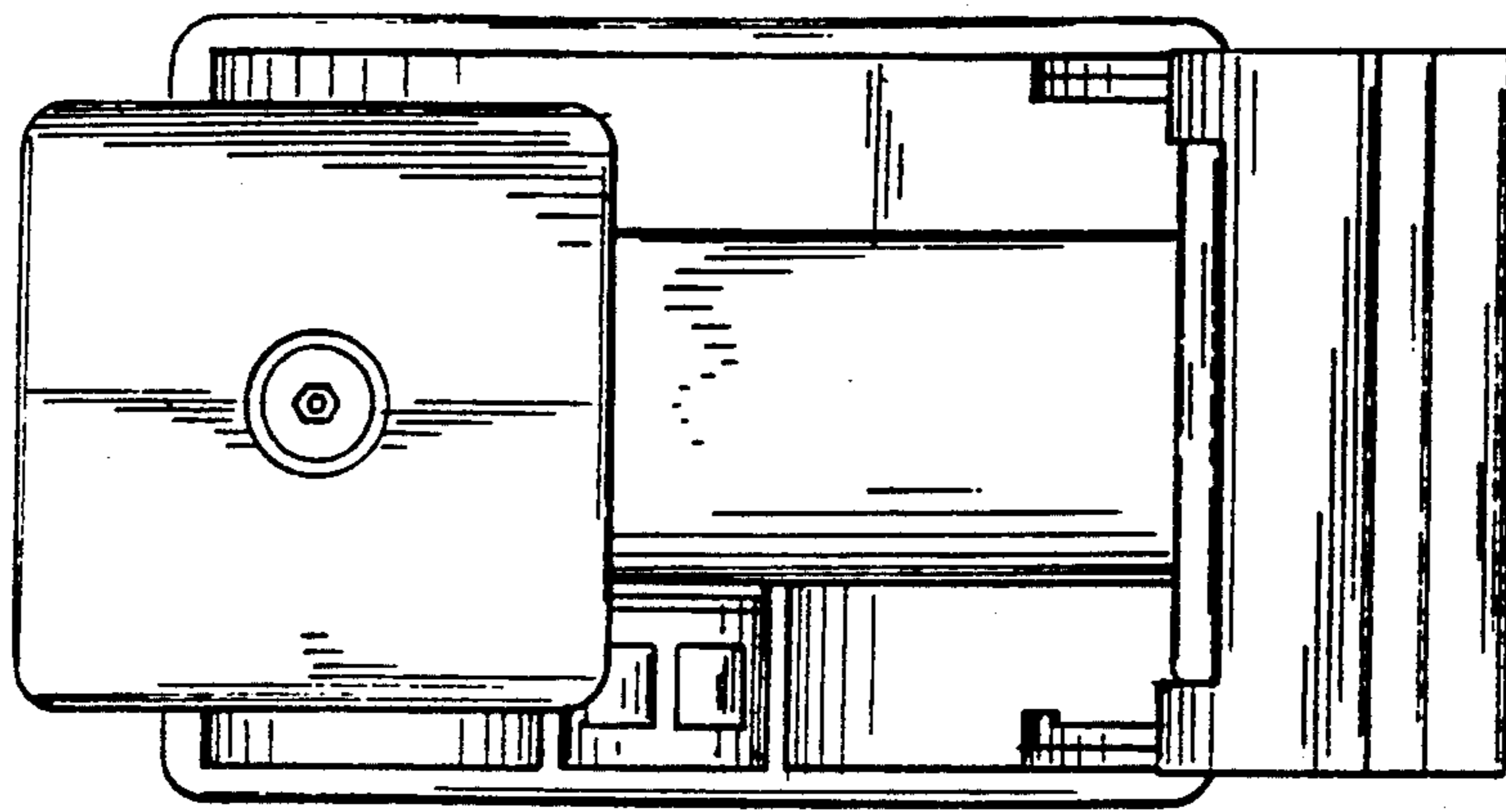


Fig . 6