



US00D323329S

# United States Patent [19]

[11] Patent Number: **Des. 323,329**

Wong

[45] Date of Patent: **\*\* Jan. 21, 1992**

[54] **COMBINED COMPRESSOR AND LAMP**

D. 296,104 6/1988 Hung ..... D15/9  
D. 309,143 7/1990 Yang ..... D15/9

[76] Inventor: **Kui-Sum Wong**, 5th Floor, Hong Kong Worsted Mills Industrial Building, 31-39 Wo Tong Tsui Street, Kwai Chung, New Territories, Hong Kong

*Primary Examiner*—A. Hugo Word  
*Assistant Examiner*—R. Seifert  
*Attorney, Agent, or Firm*—Gottlieb, Rackman & Reisman

[\*\*] Term: **14 Years**

[57] **CLAIM**

[21] Appl. No.: **369,929**

The ornamental design for combined compressor and lamp, as shown and described.

[22] Filed: **Jun. 22, 1989**

**DESCRIPTION**

[30] **Foreign Application Priority Data**

Jan. 27, 1989 [GB] United Kingdom ..... 1056668

[52] U.S. Cl. .... **D15/9; D15/7**

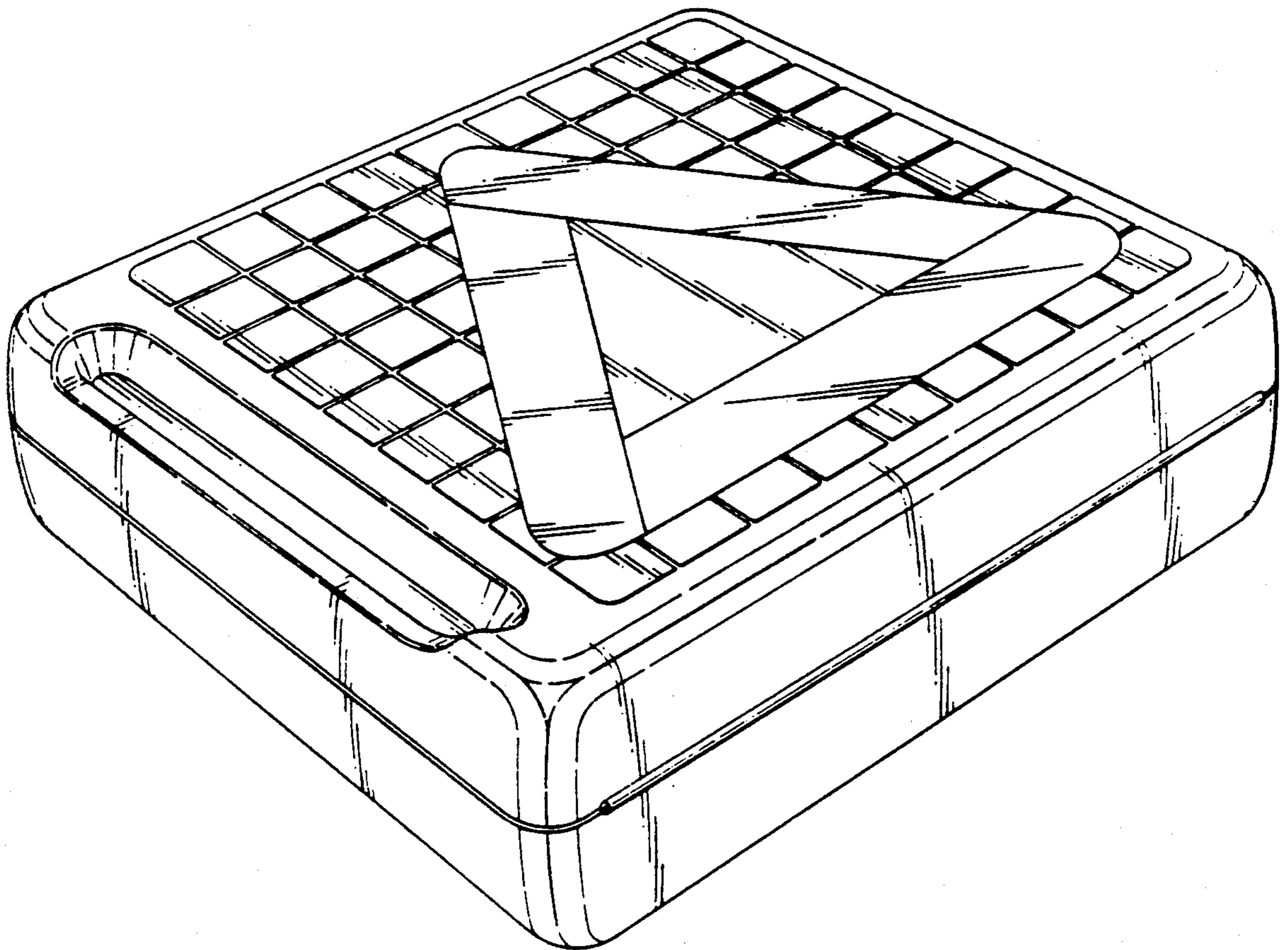
[58] Field of Search ..... D15/7, 9; D3/30.1, 74; 417/234; D9/423; D10/40, 1-2, 5, 21, 24-27; D26/26, 38, 51-52

FIG. 1 is a front perspective view as seen from above and one side, of a combined compressor and lamp showing my new design;  
FIG. 2 is a top perspective view as seen from side opposite that shown in FIG. 1;  
FIG. 3 is a top front perspective view;  
FIG. 4 is a top plan view;  
FIG. 5 is a bottom plan view;  
FIG. 6 is a top plan view, shown in the open position;  
FIG. 7 is a top side perspective view of FIG. 6;  
FIG. 8 is a top front perspective view of FIG. 6; and  
FIG. 9 is a top front perspective view of FIG. 6, showing the elements therein in alternate positions.

[56] **References Cited**

**U.S. PATENT DOCUMENTS**

D. 207,185 3/1967 Reichenstein ..... D26/52  
D. 257,354 10/1980 Fish ..... D15/9  
D. 273,178 3/1984 Dunlap ..... D15/7  
D. 293,583 1/1988 Dunlap ..... D15/7



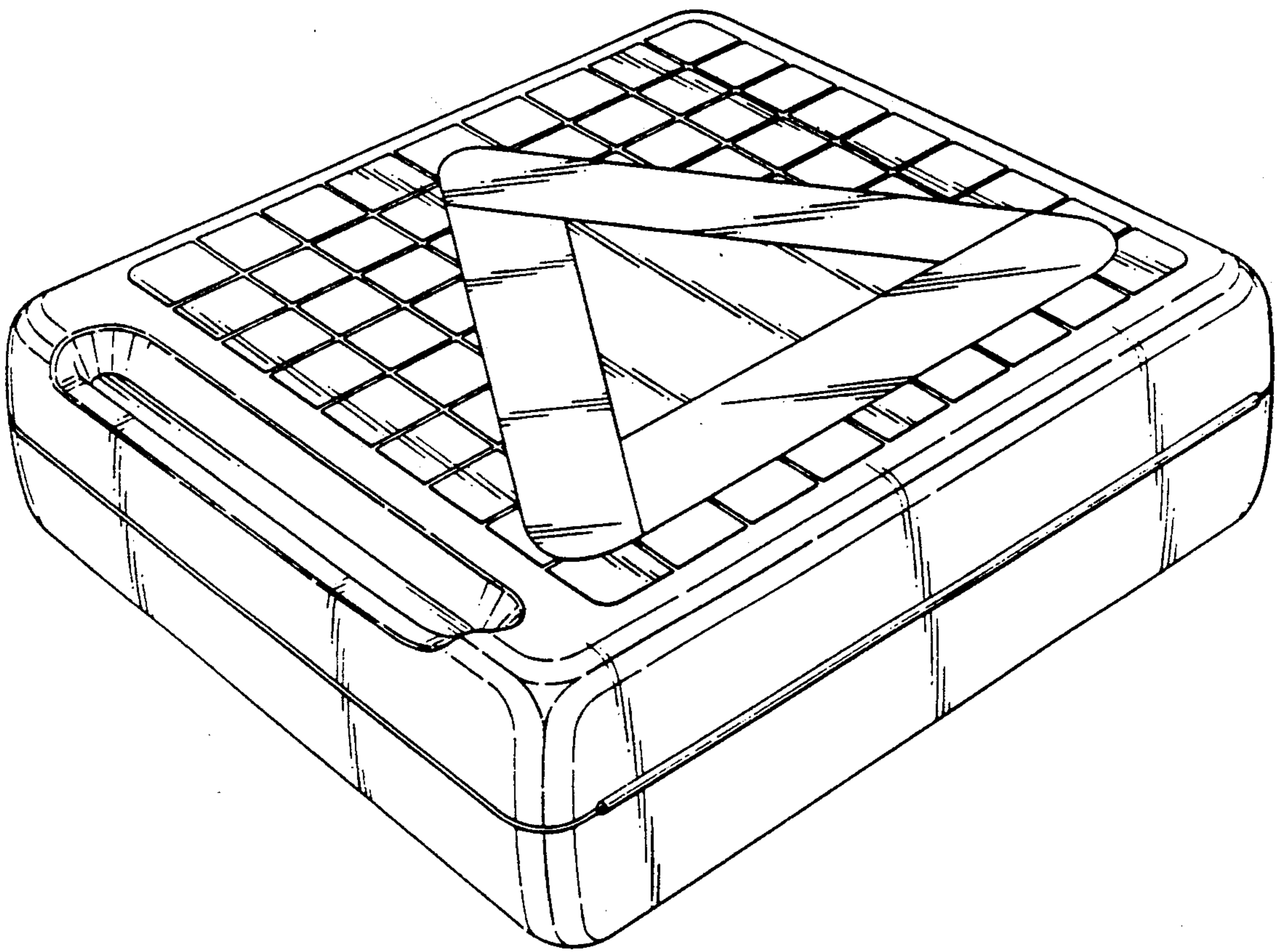


FIG. 1.

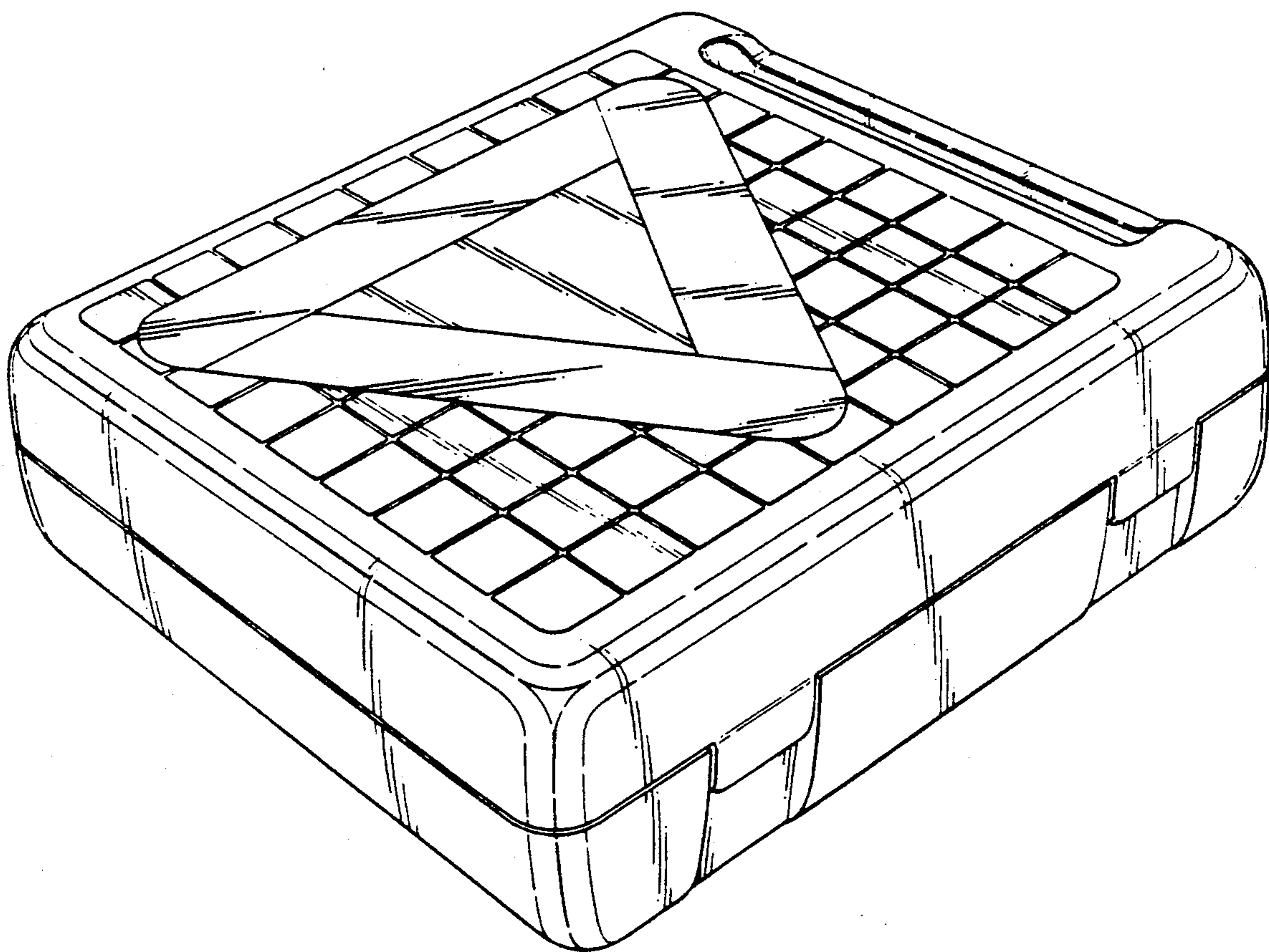


FIG. 2.

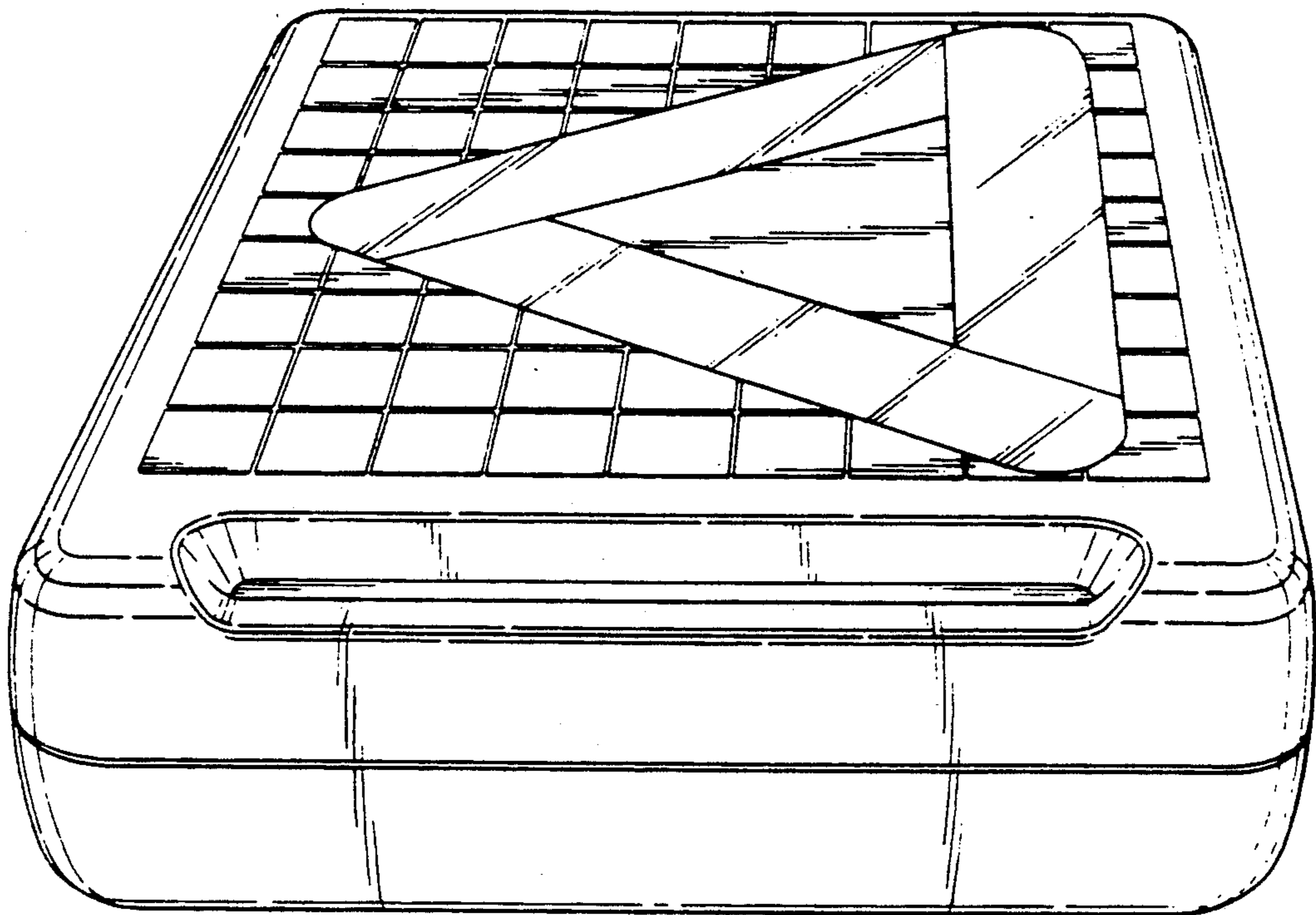


FIG. 3.

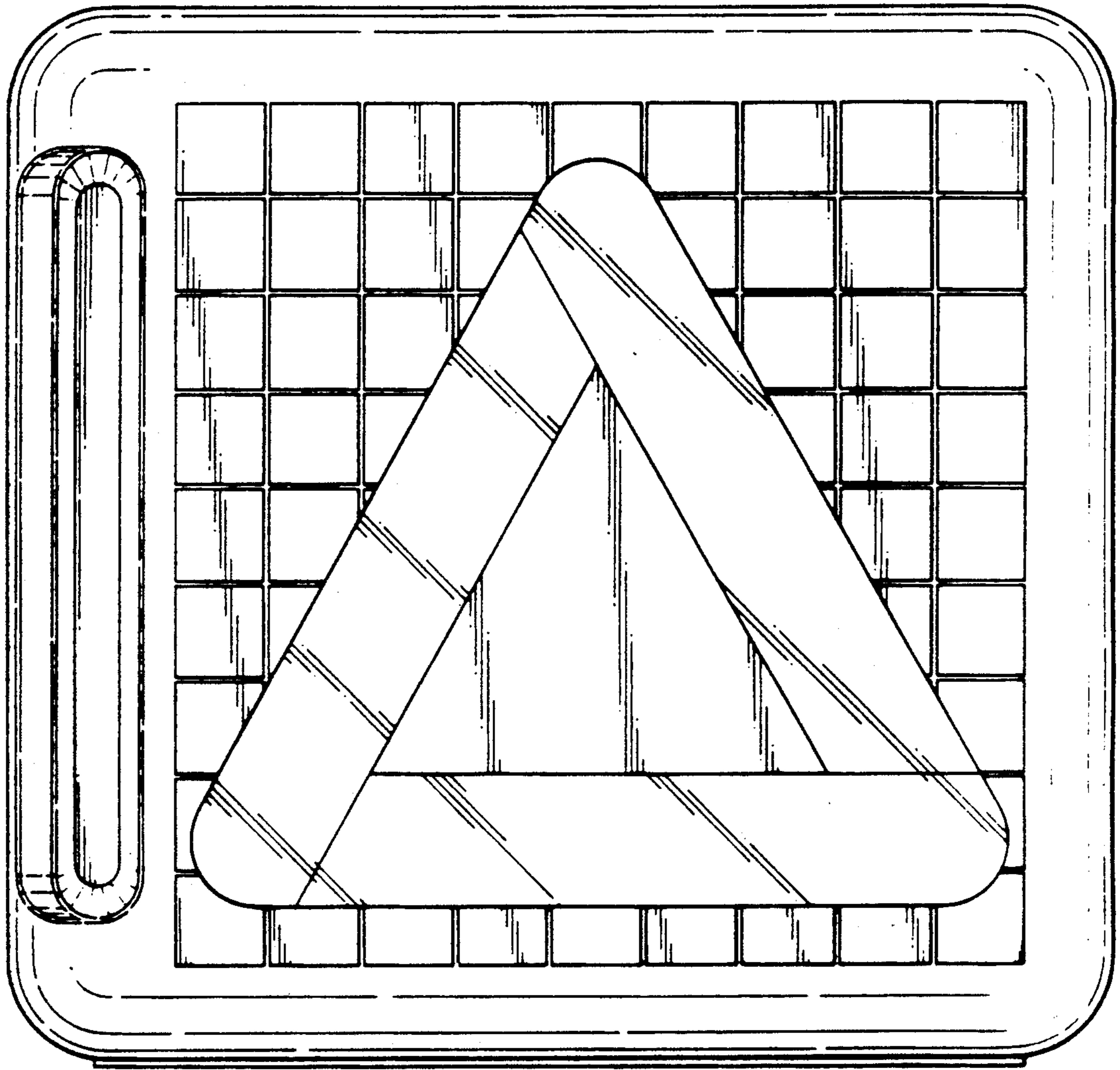


FIG. 4.

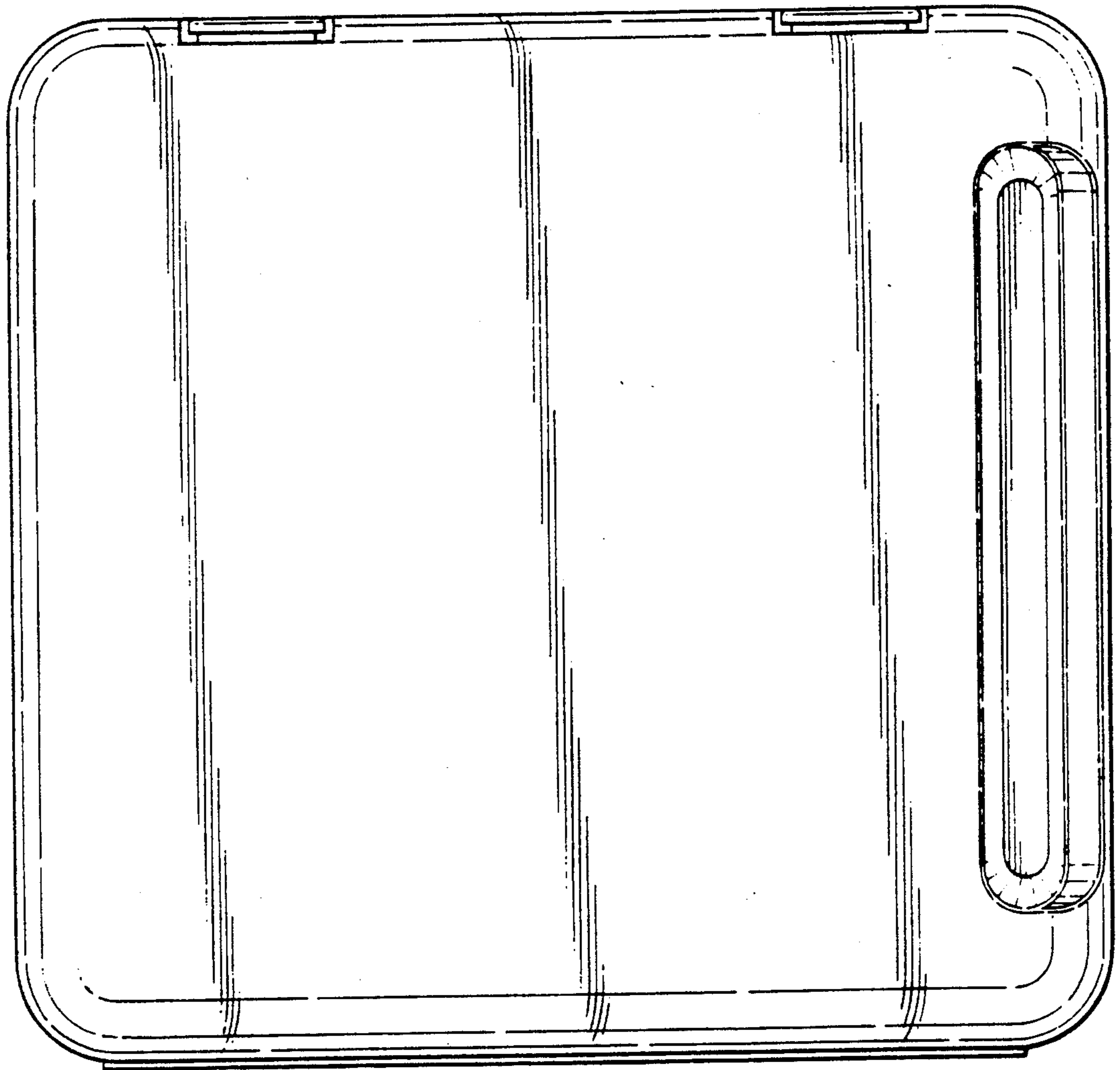


FIG. 5.

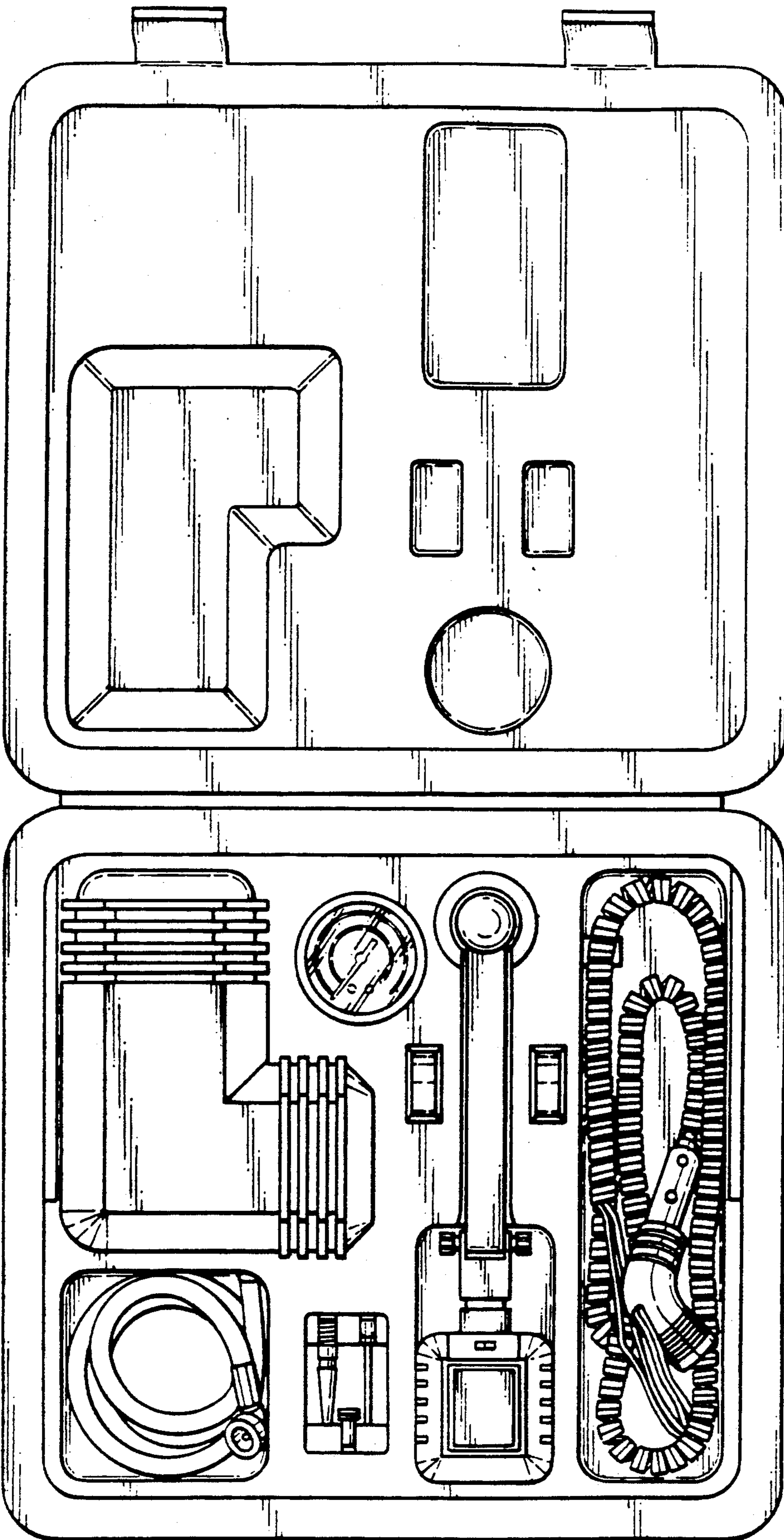


FIG. 6.

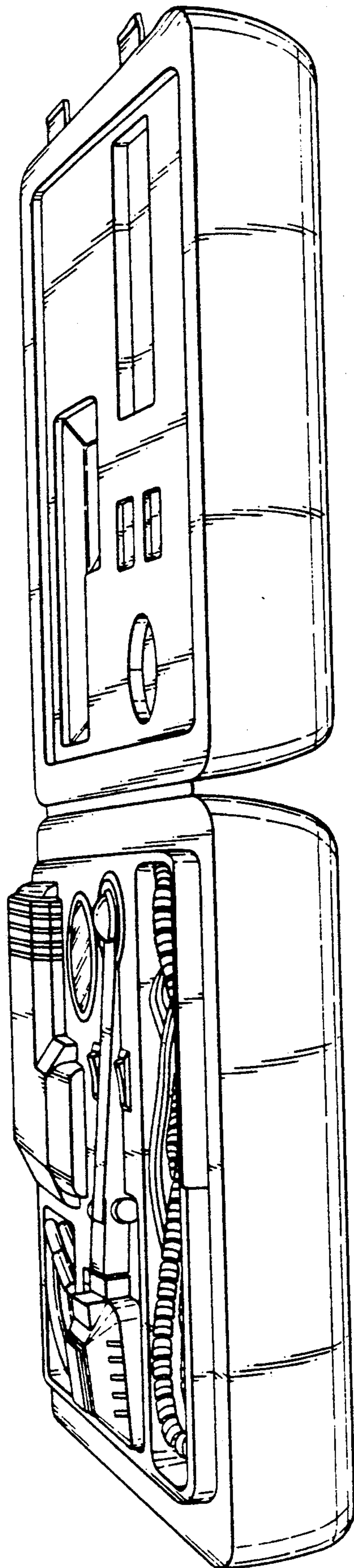


FIG. 7.



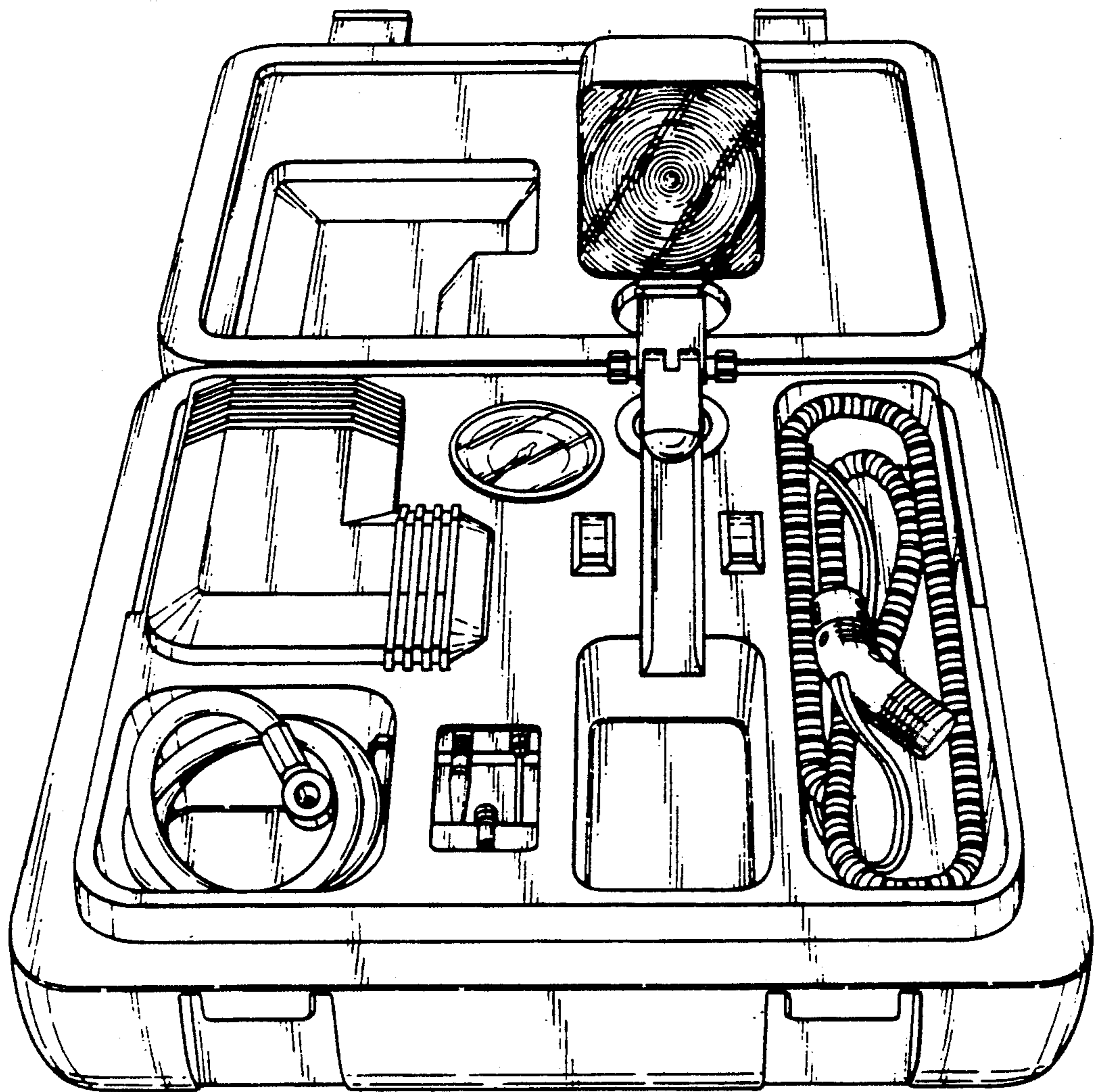


FIG 8

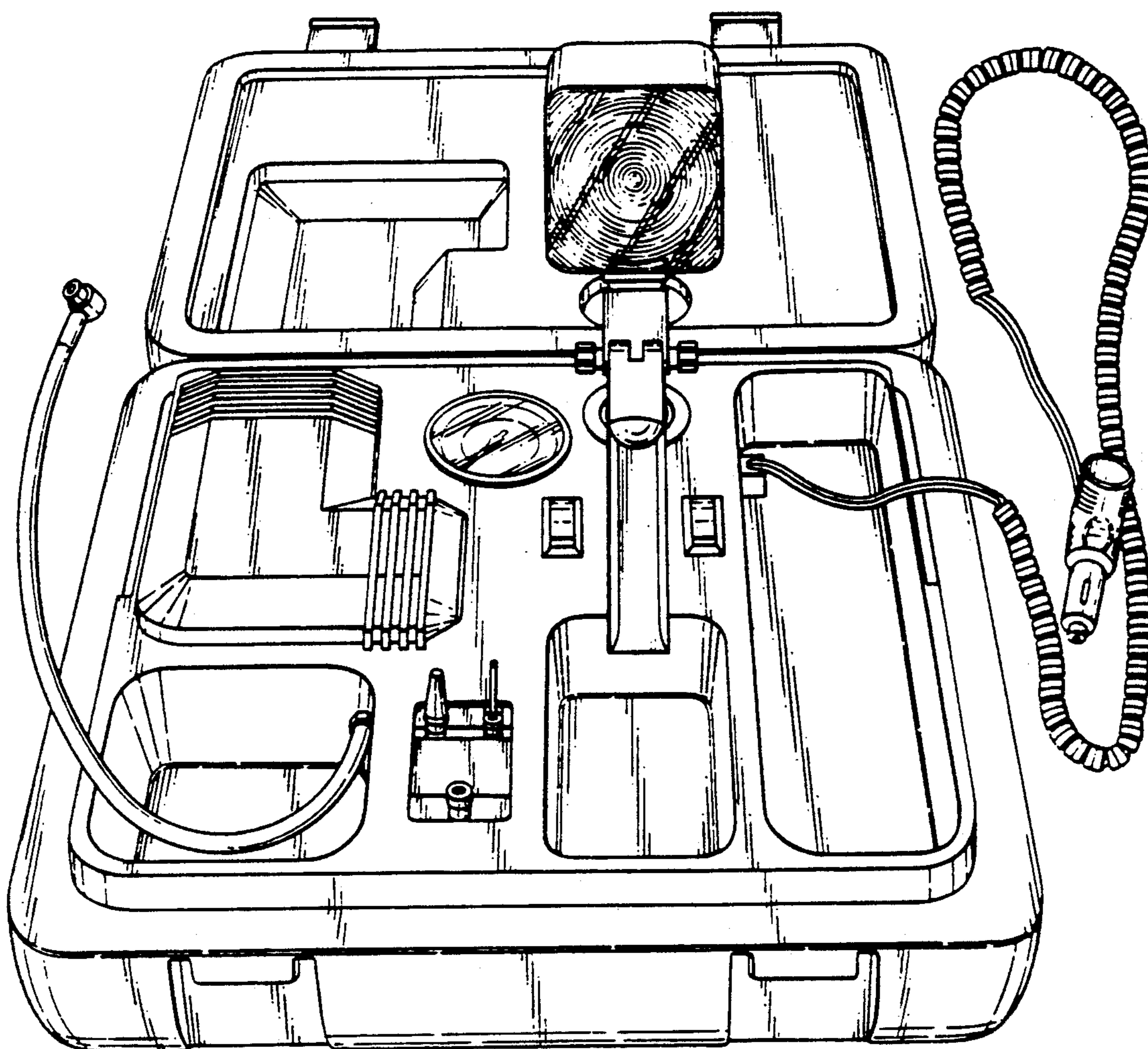


FIG. 9.