



US00D323326S

United States Patent [19]

[11] Patent Number: **Des. 323,326**

Takawo

[45] Date of Patent: **** Jan. 21, 1992**

[54] **PORTABLE RECORDING AND REPRODUCING SYSTEM OR THE LIKE**

D. 290,843 7/1987 Murphy D14/228 X
D. 304,832 11/1989 Murphy D14/165
D. 310,368 9/1990 Derhaag et al. D14/228

[75] Inventor: **Hideo Takawo, Nagano, Japan**

OTHER PUBLICATIONS

[73] Assignee: **Seiko Epson Corporation, Tokyo, Japan**

Hong Kong Toys '89, p. 616, top left—Cassette Player with Stage Mike (8010SS) and Guitar Set with Stage Mike and Amplified Speaker Box (8501).

[**] Term: **14 Years**

Primary Examiner—Theodore M. Shooman
Attorney, Agent, or Firm—Blum Kaplan

[21] Appl. No.: **548,631**

[22] Filed: **Jun. 7, 1990**

[57] CLAIM

Related U.S. Application Data

The ornamental design for a portable recording and reproducing system or the like, as shown.

[62] Division of Ser. No. 445,655, Nov. 29, 1989.

[52] U.S. Cl. **D14/160; D14/165; D21/113**

DESCRIPTION

[58] Field of Search **D14/154, 158, 160, 161, D14/163, 165, 167, 191, 228; D21/111, 112, 113**

FIG. 1 is a top, front and right side perspective view of a portable recording and reproducing system or the like showing my new design;

FIG. 2 is a right side elevational view thereof;

FIG. 3 is a left side elevational view thereof;

FIG. 4 is a front elevational view thereof;

FIG. 5 is a top plan view thereof;

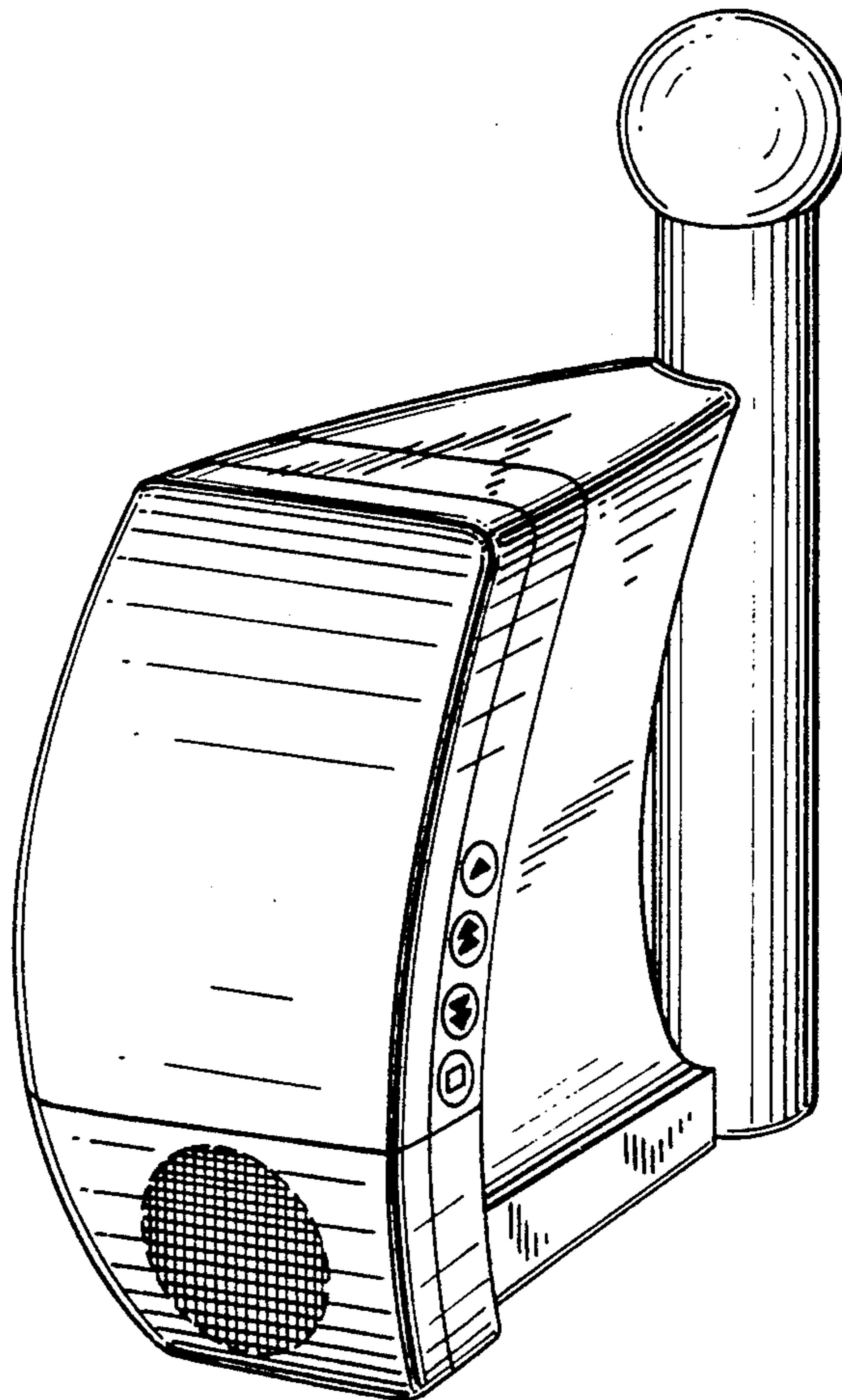
FIG. 6 is a rear elevational view thereof; and

FIG. 7 is a bottom plan view thereof.

[56] References Cited

U.S. PATENT DOCUMENTS

D. 209,060 10/1967 Probst D14/167
D. 211,741 7/1968 Abeno et al. D14/165



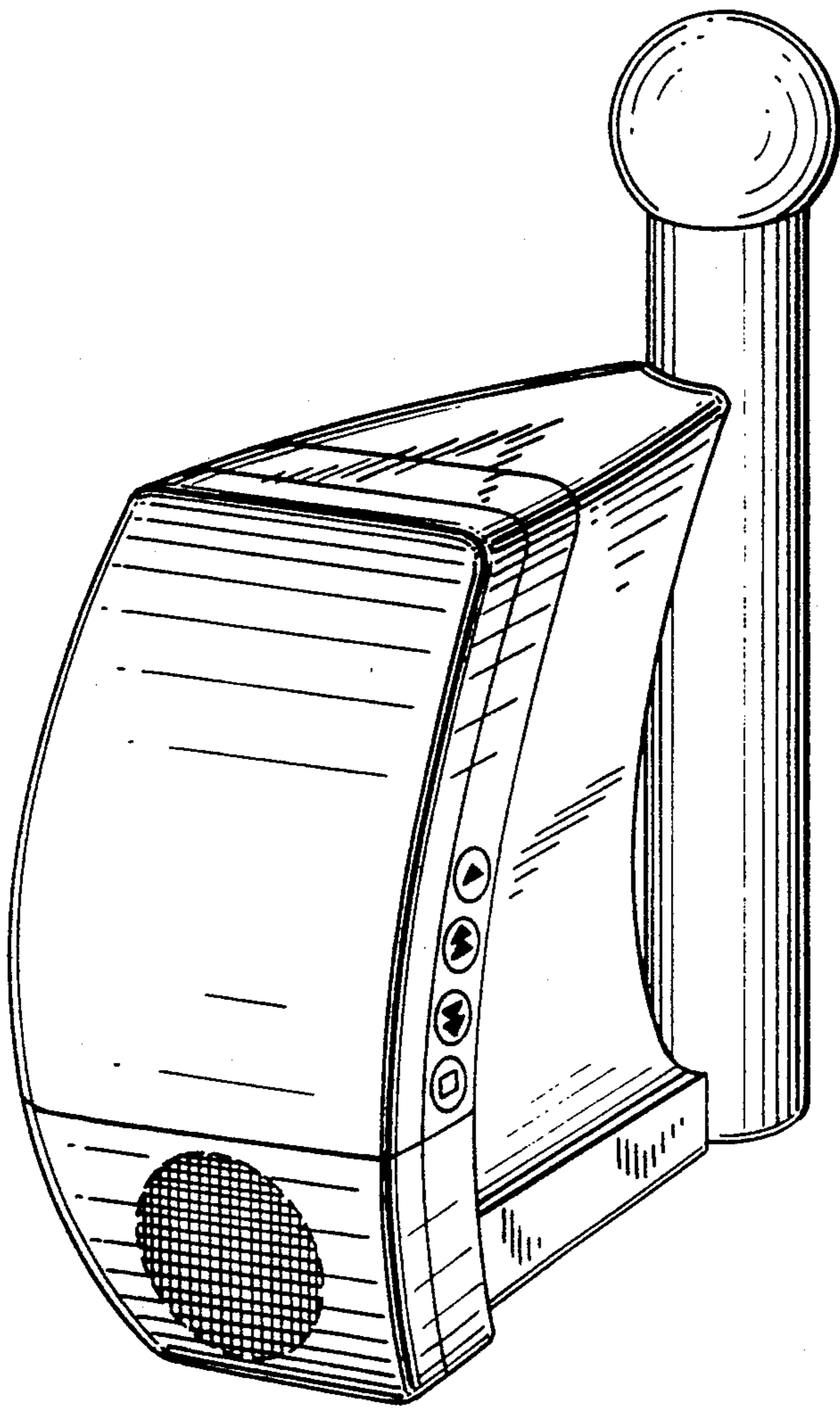


FIG. 1

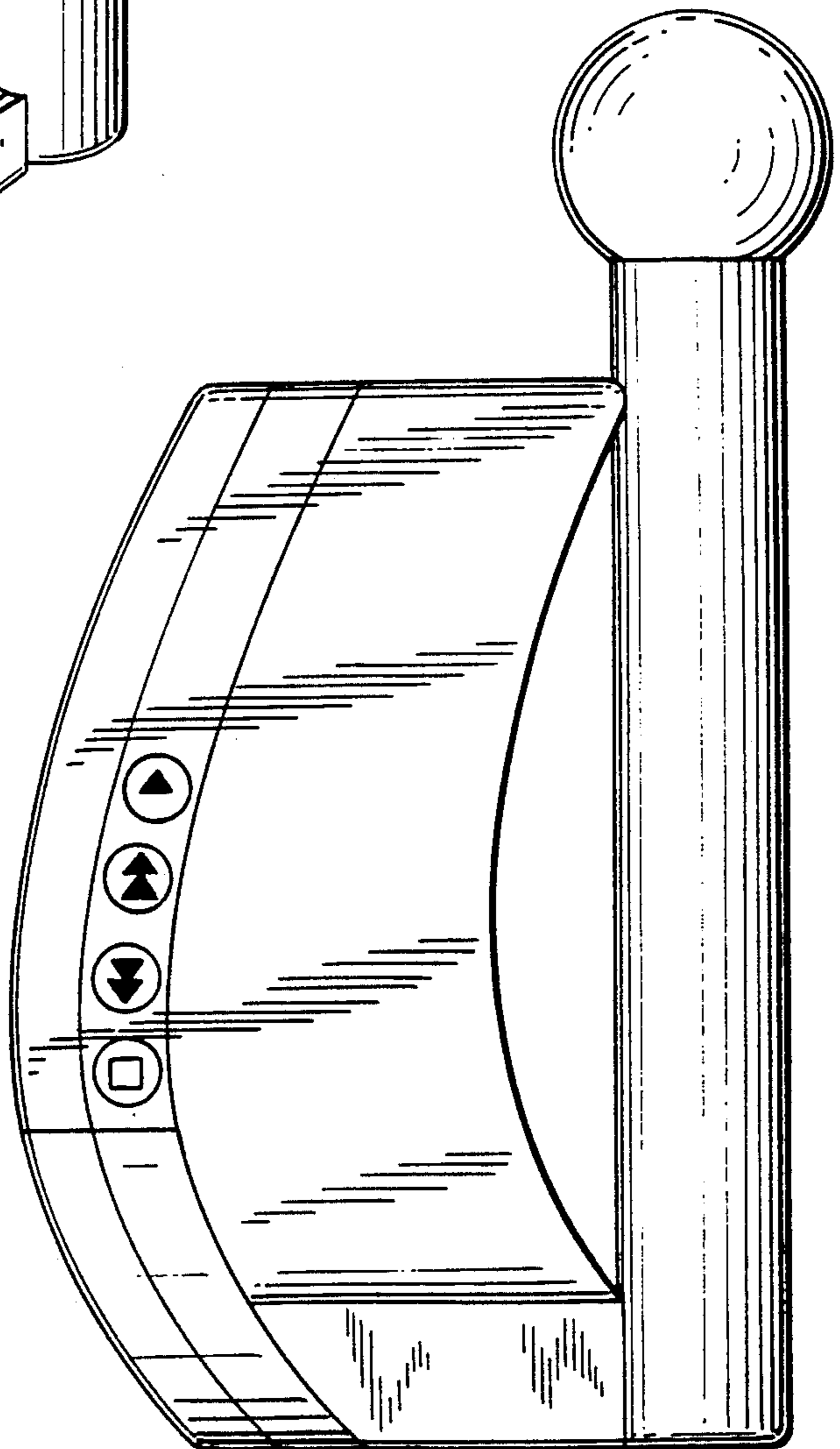


FIG. 2

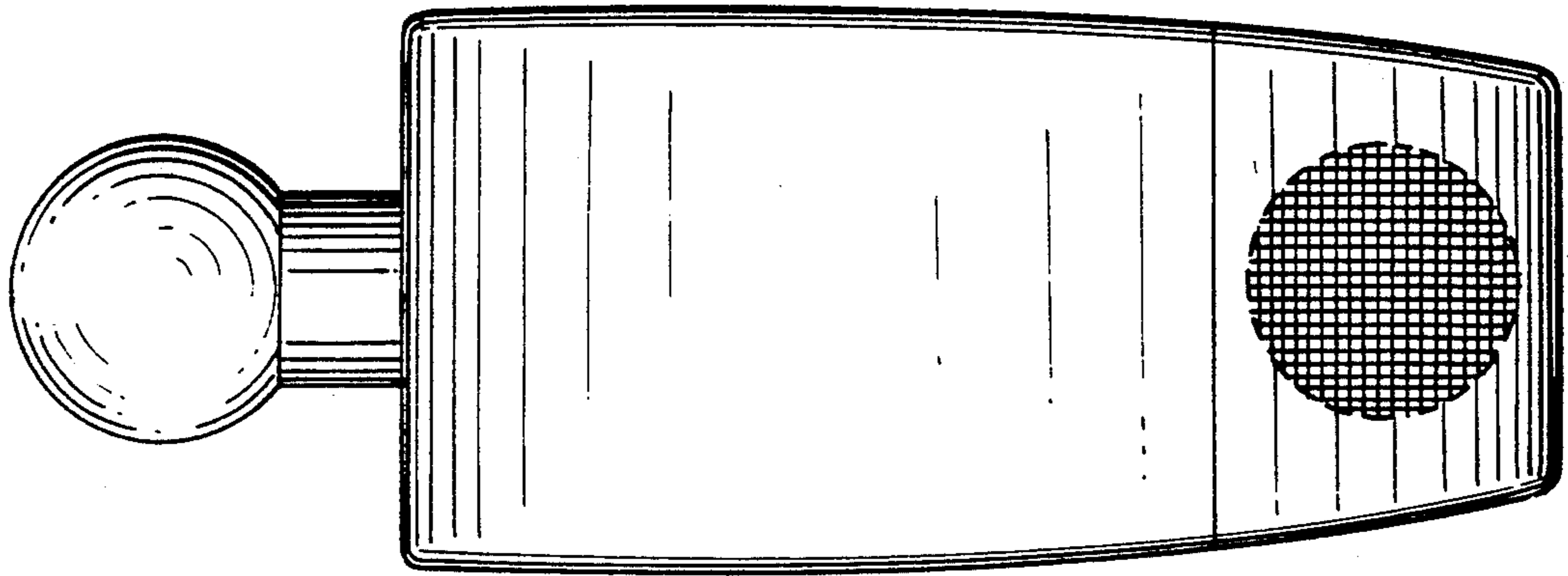


FIG. 4

FIG. 3

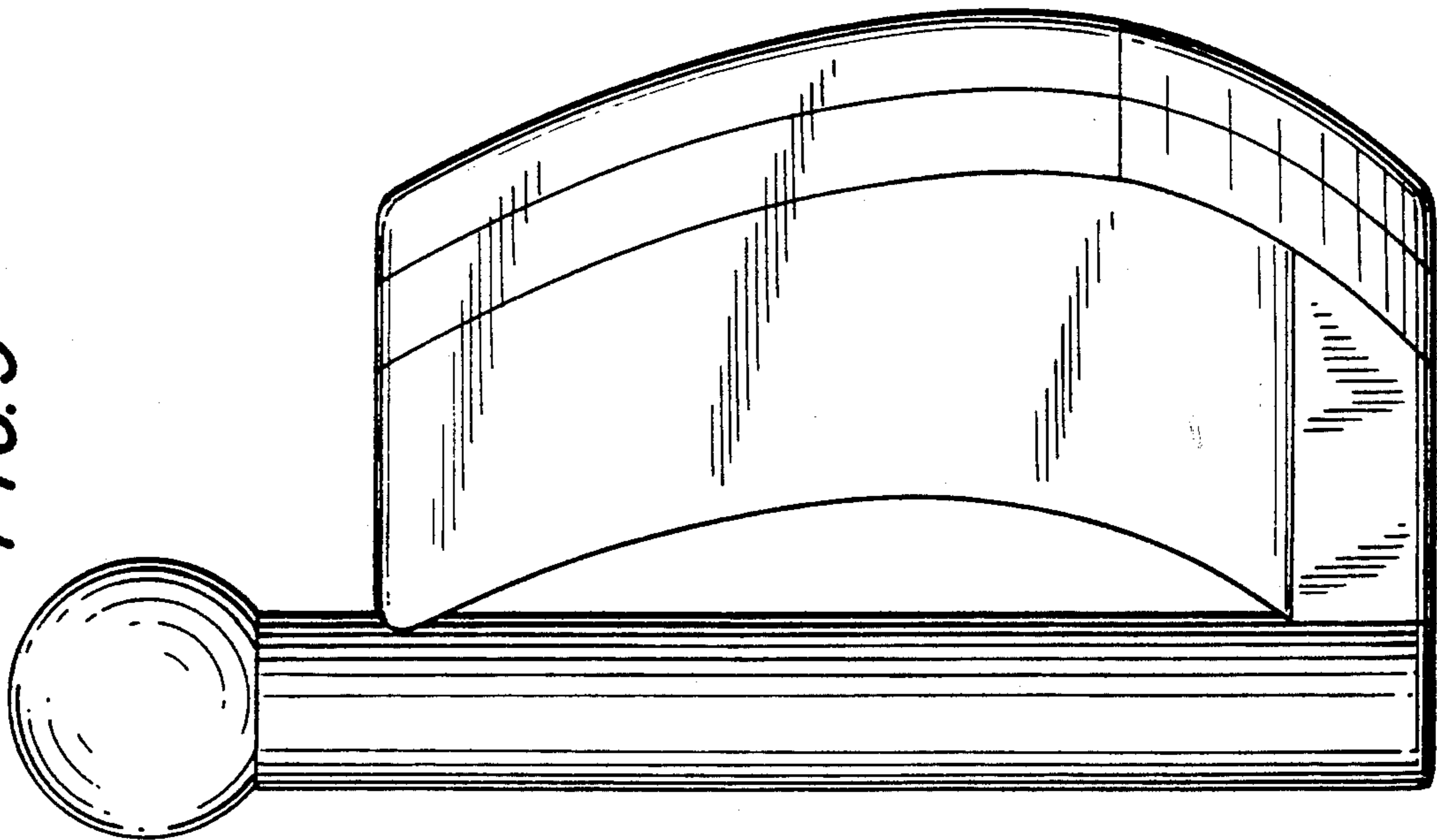


FIG. 6

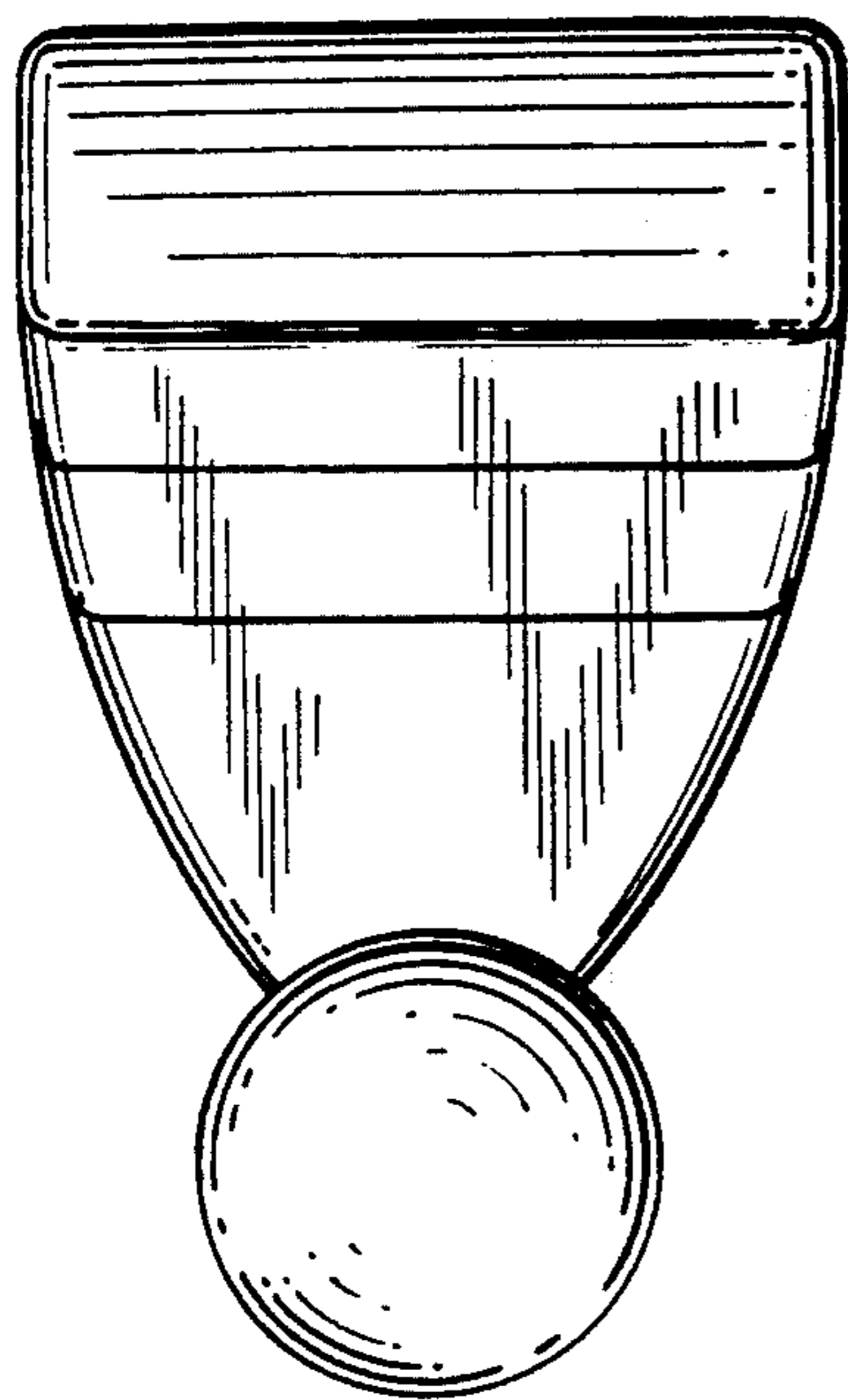
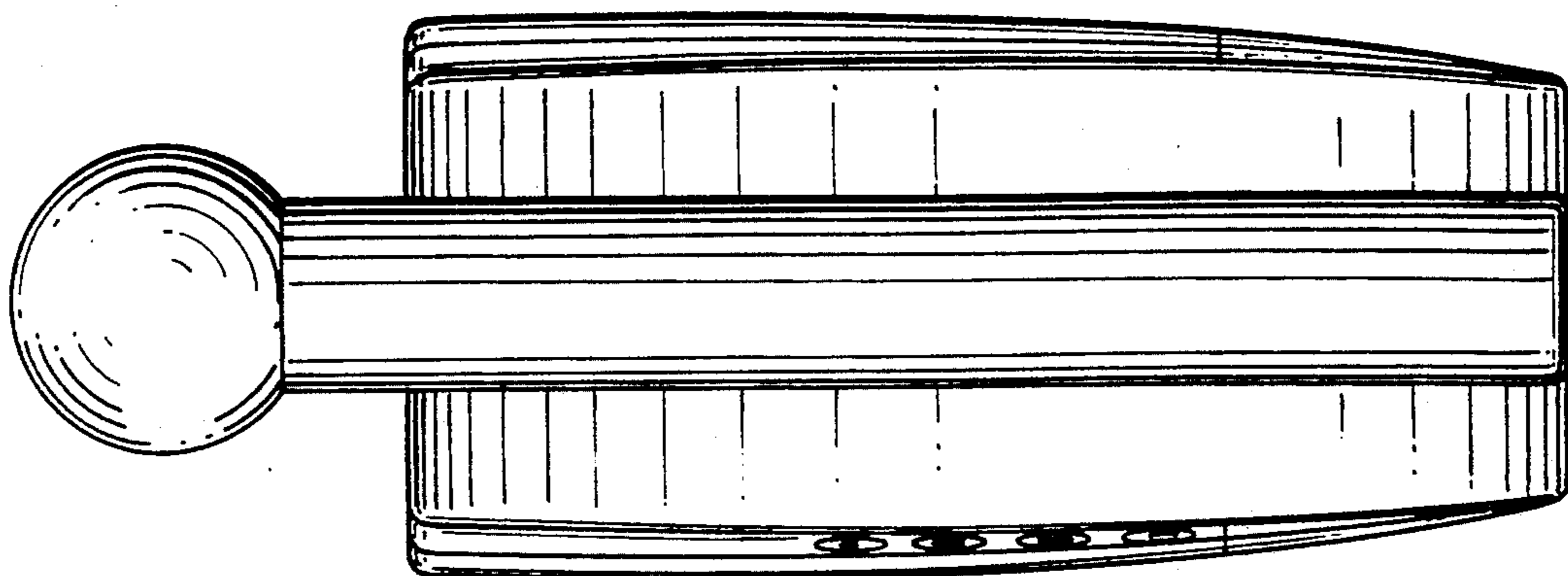


FIG. 5

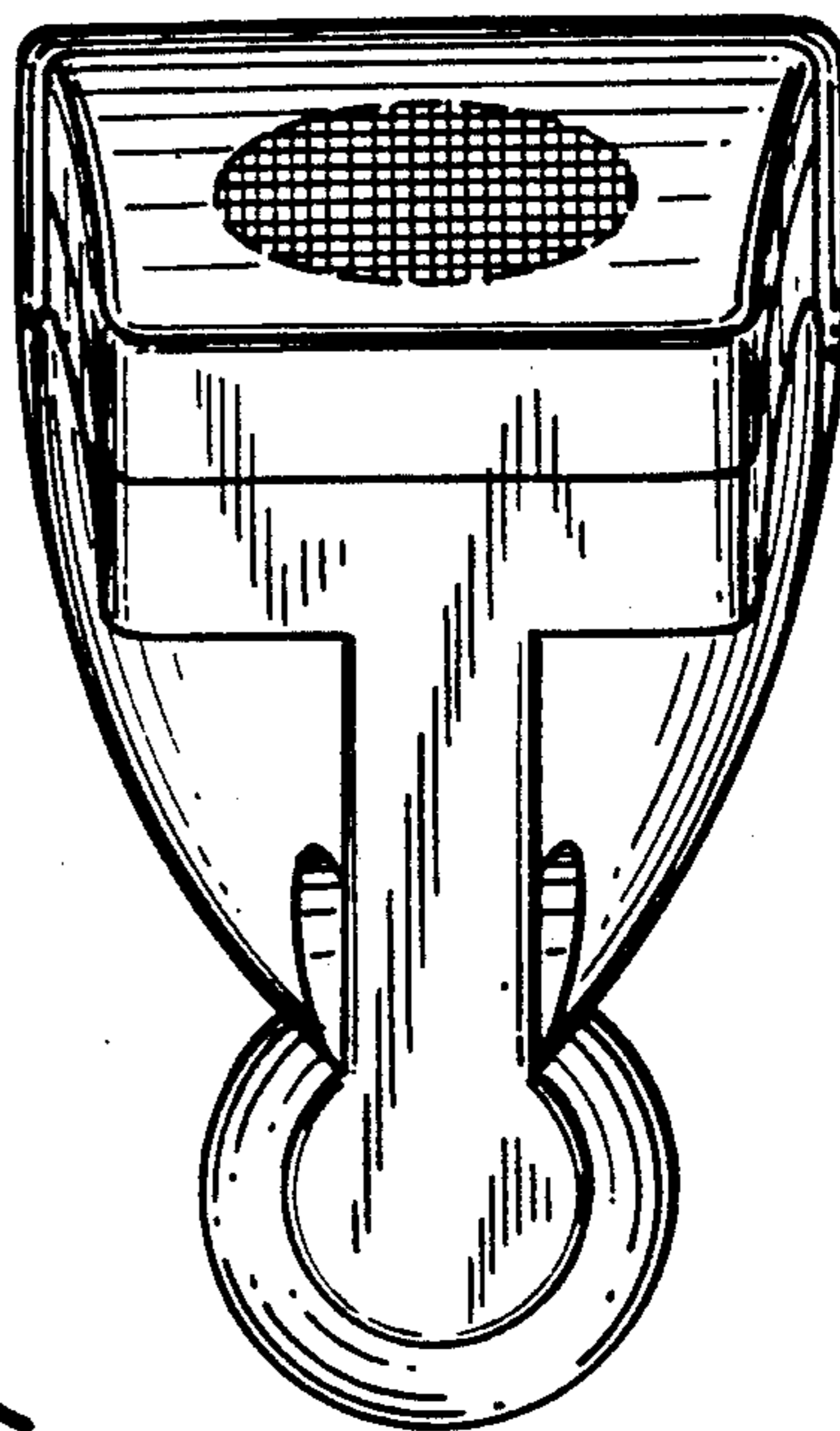


FIG. 7

UNITED STATES PATENT AND TRADEMARK OFFICE
CERTIFICATE OF CORRECTION

PATENT NO. : Des. 323,326

DATED : January 21, 1992

INVENTOR(S) : Takawo

It is certified that error appears in the above-identified patent and that said Letters Patent is hereby corrected as shown below:

At the cover page, after "[62] Division of Ser. No. 445,655, Nov. 29, 1989." insert the following lines

--[30] Foreign Application Priority Data

March 31, 1988 [JP] Japan 63-044135[u]

March 31, 1988 [JP] Japan 63-044136[u]

June 10, 1988 [JP] Japan 63-077497[u]

March 31, 1988 [PCT] PCT/JP89/00344--

Signed and Sealed this
Twenty-fifth Day of May, 1993

Attest:



MICHAEL K. KIRK

Attesting Officer

Acting Commissioner of Patents and Trademarks