



US00D323324S

# United States Patent [19]

[11] Patent Number: **Des. 323,324**

**Suda**

[45] Date of Patent: **\*\* Jan. 21, 1992**

[54] **VIDEO DISPLAY**

[75] Inventor: **Masami Suda**, Tokyo, Japan

[73] Assignee: **Oki Electric Industry Co., Ltd.**,  
Tokyo, Japan

[\*\*] Term: **14 Years**

[21] Appl. No.: **458,383**

[22] Filed: **Dec. 28, 1989**

[30] **Foreign Application Priority Data**

Jul. 18, 1989 [JP] Japan ..... 1-26343

[52] U.S. Cl. .... **D14/125; D14/113;**  
D14/126

[58] Field of Search ..... **D14/124-135,**  
**D14/113; 358/236-239, 254-255; 312/7.2;**  
D20/10

[56] **References Cited**

**U.S. PATENT DOCUMENTS**

D. 293,579 1/1988 Davis ..... D14/113

D. 303,962 10/1989 Asou ..... D14/124 X

D. 304,032 10/1989 Fine et al. .... D14/113  
D. 313,431 1/1991 Jaskiel, Jr. et al. .... D14/126 X  
D. 314,564 2/1991 Grundstrom et al. .... D14/113

**OTHER PUBLICATIONS**

Design 470, Feb. 1988, p. 26, Television Set.

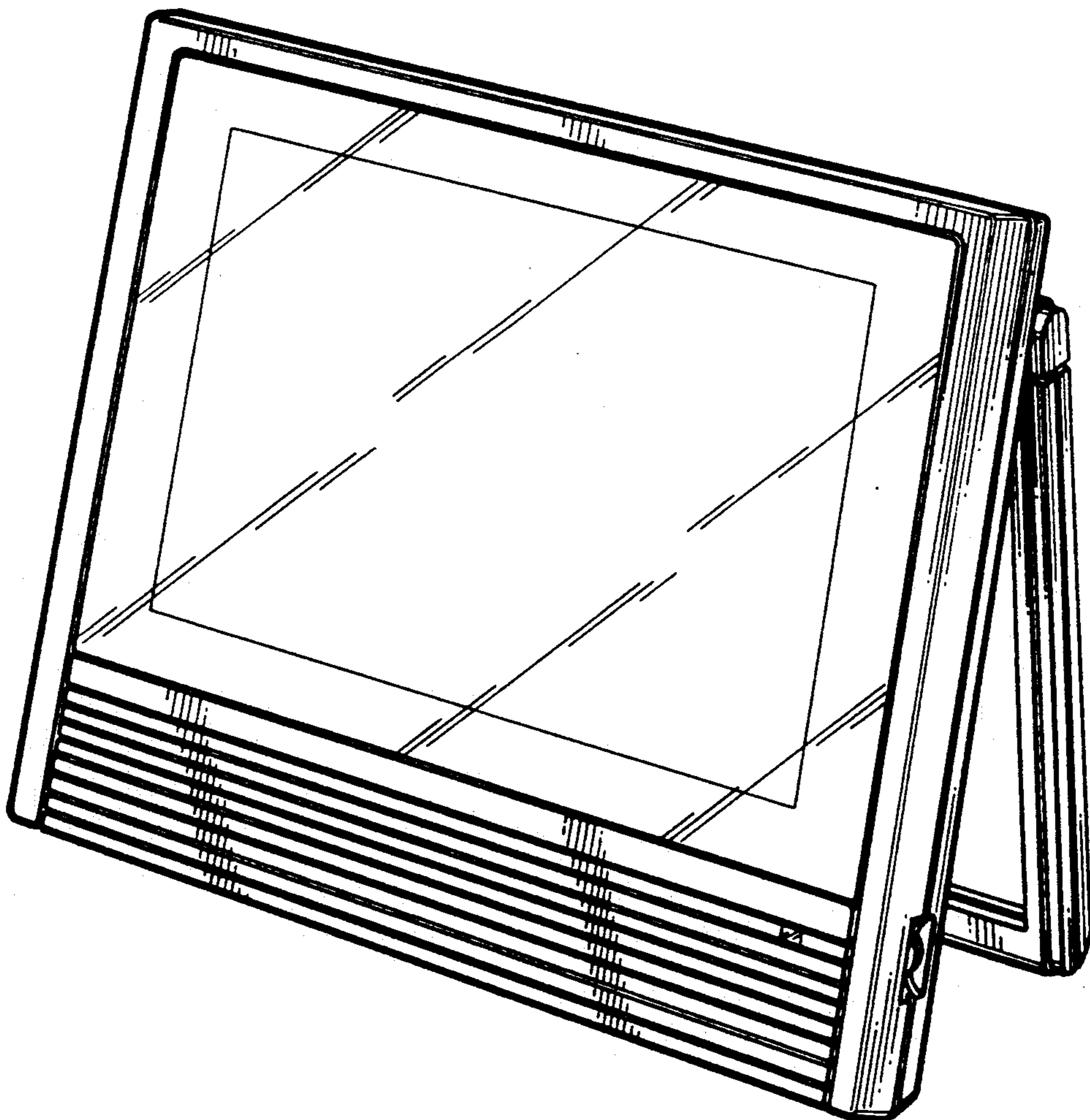
*Primary Examiner*—Theodore M. Shooman  
*Attorney, Agent, or Firm*—Wenderoth, Lind & Ponack

[57] **CLAIM**

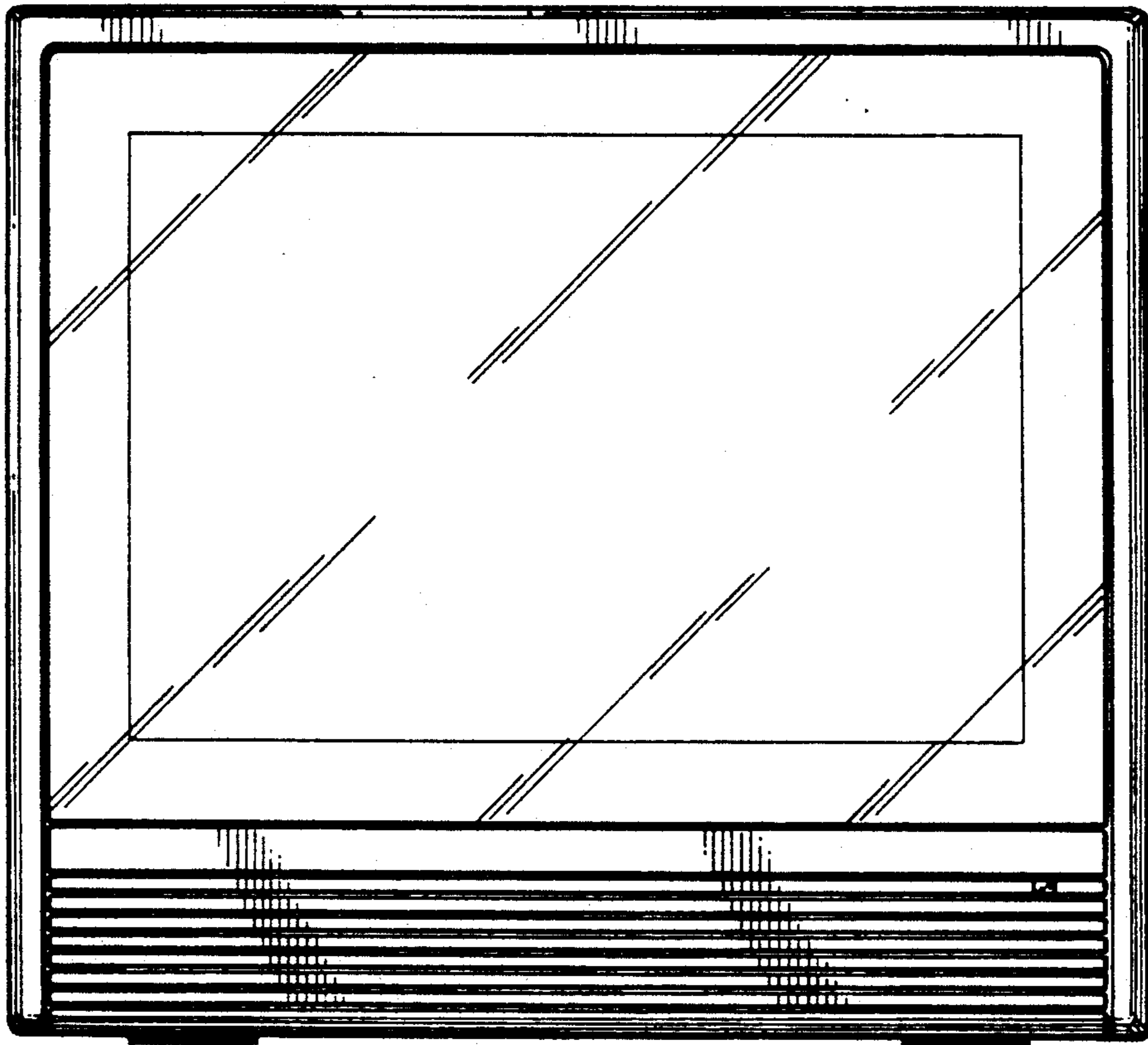
The ornamental design for a video display, as shown and described.

**DESCRIPTION**

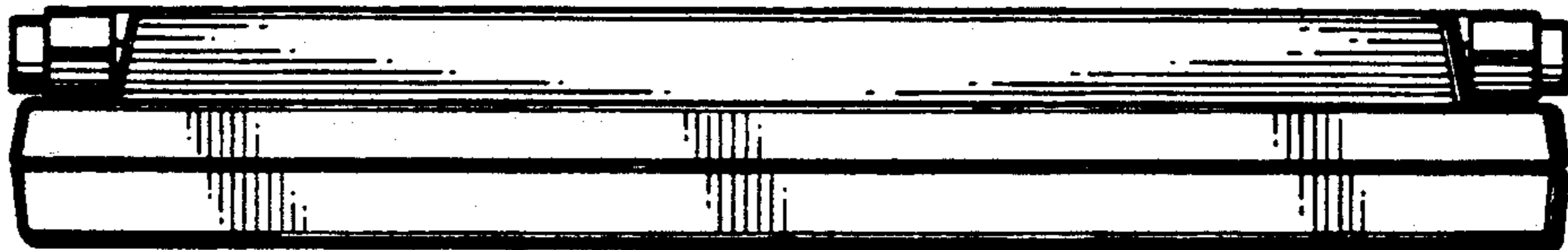
FIG. 1 is a front elevational view of a video display showing my new design;  
FIG. 2 is a top plan view thereof;  
FIG. 3 is a rear elevational view thereof;  
FIG. 4 is a bottom plan view thereof;  
FIG. 5 is a left side elevational view thereof;  
FIG. 6 is a right side elevational view thereof; and  
FIG. 7 is a top, front and right side perspective view thereof, shown with the supporting stand extended.



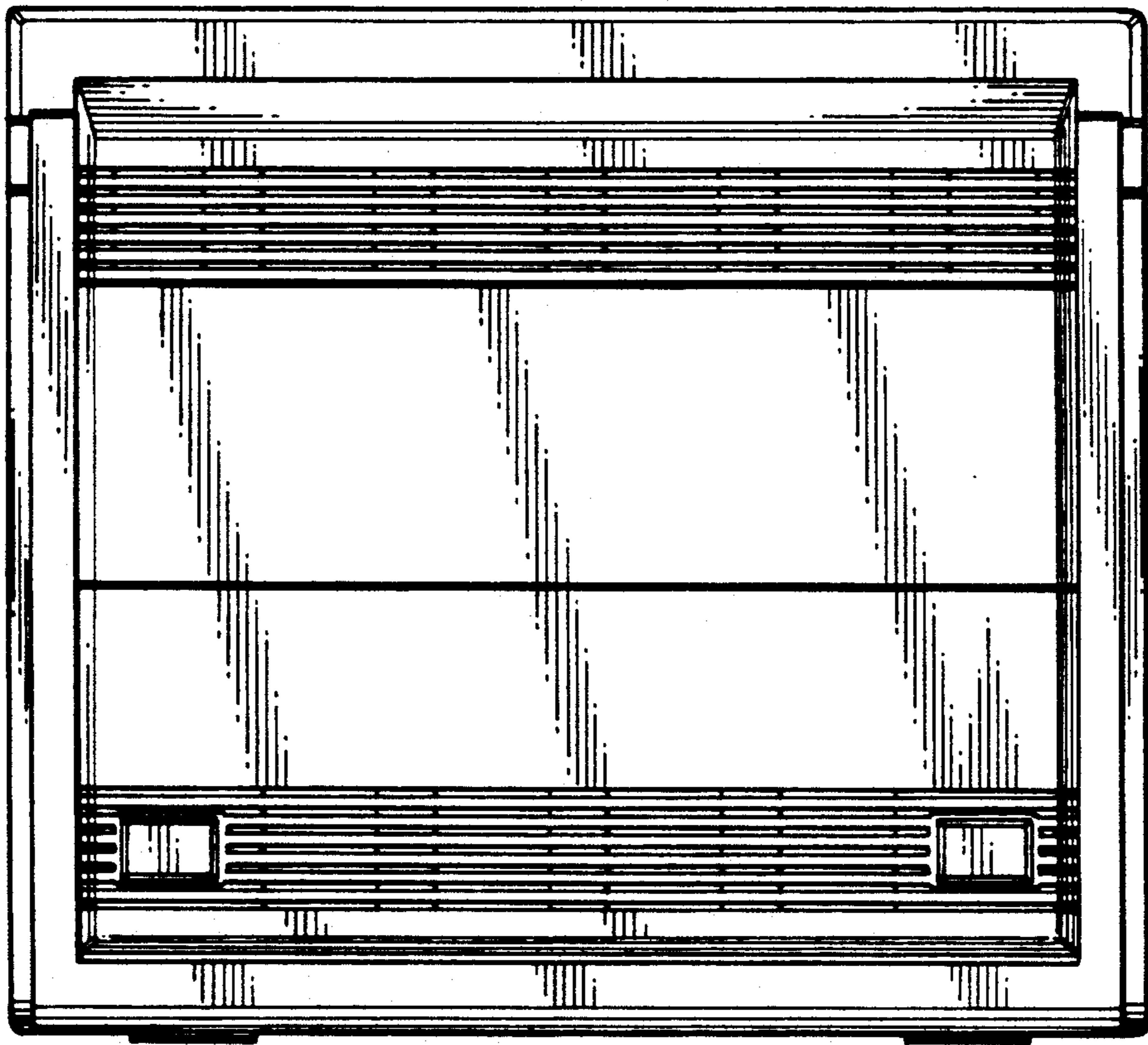
*Fig. 1*



*Fig. 2*



*Fig. 3*



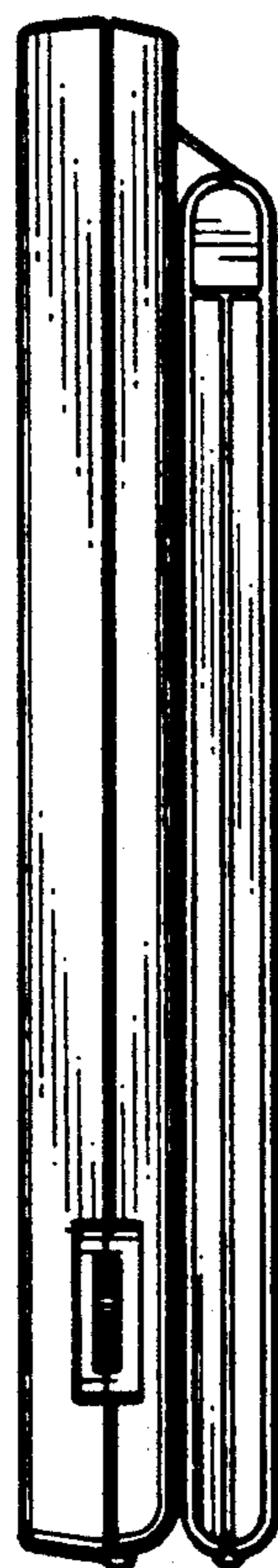
*Fig. 4*



*Fig. 5*



*Fig. 6*





*Fig. 7*

