



US00D323323S

United States Patent [19]

[11] Patent Number: **Des. 323,323**

Klaebel

[45] Date of Patent: **** Jan. 21, 1992**

[54] **SWIVEL ARM FOR SUPPORTING DATA PROCESSING EQUIPMENT**

4,625,731 12/1986 Quedens et al. 358/249 X
4,687,167 8/1987 Skalka et al. 248/921 X
4,708,312 11/1987 Rohr 248/919 X

[75] Inventor: **Walther Klaebel**, Nykobing Sjaelland, Denmark

OTHER PUBLICATIONS

Devoke Spring 1987, p. 57.CRT Valet.
Global Computer Supplies.Mar. 1987, p. 61.CRT Shuttle.
"Space Brochure" published Mar. 1, 1989.

[73] Assignee: **Skandinavisk Data Tilbehør ApS**, Frederiksberg C, Denmark

Primary Examiner—Wallace R. Burke
Assistant Examiner—Freda S. Nunn
Attorney, Agent, or Firm—Armstrong, Nikaido, Marmelstein, Kubovcik & Murray

[**] Term: **14 Years**

[21] Appl. No.: **388,470**

[22] Filed: **Aug. 2, 1989**

[30] Foreign Application Priority Data

Feb. 3, 1989 [DK] Denmark MA01231989

[52] U.S. Cl. **D14/114**

[58] Field of Search D14/100-117;
D13/162, 184, 199; D18/1, 7, 11, 12; 358/249;
248/917-924, 179, 122, 278; 340/700, 706;
224/185

[57] CLAIM

The ornamental design for a swivel arm for supporting data processing equipment, as shown and described.

[56] References Cited

U.S. PATENT DOCUMENTS

4,208,028 6/1980 Brown et al. 248/179 X
4,548,373 10/1985 Komura 248/122
4,562,987 1/1986 Leeds et al. 248/920 X

DESCRIPTION

FIG. 1 is a top perspective view of the swivel arm for supporting data processing equipment showing my new design;
FIG. 2 is an enlarged top perspective view thereof with the arm shown in an alternate position;
FIG. 3 is a front perspective view thereof; and
FIG. 4 is a rear perspective view thereof.

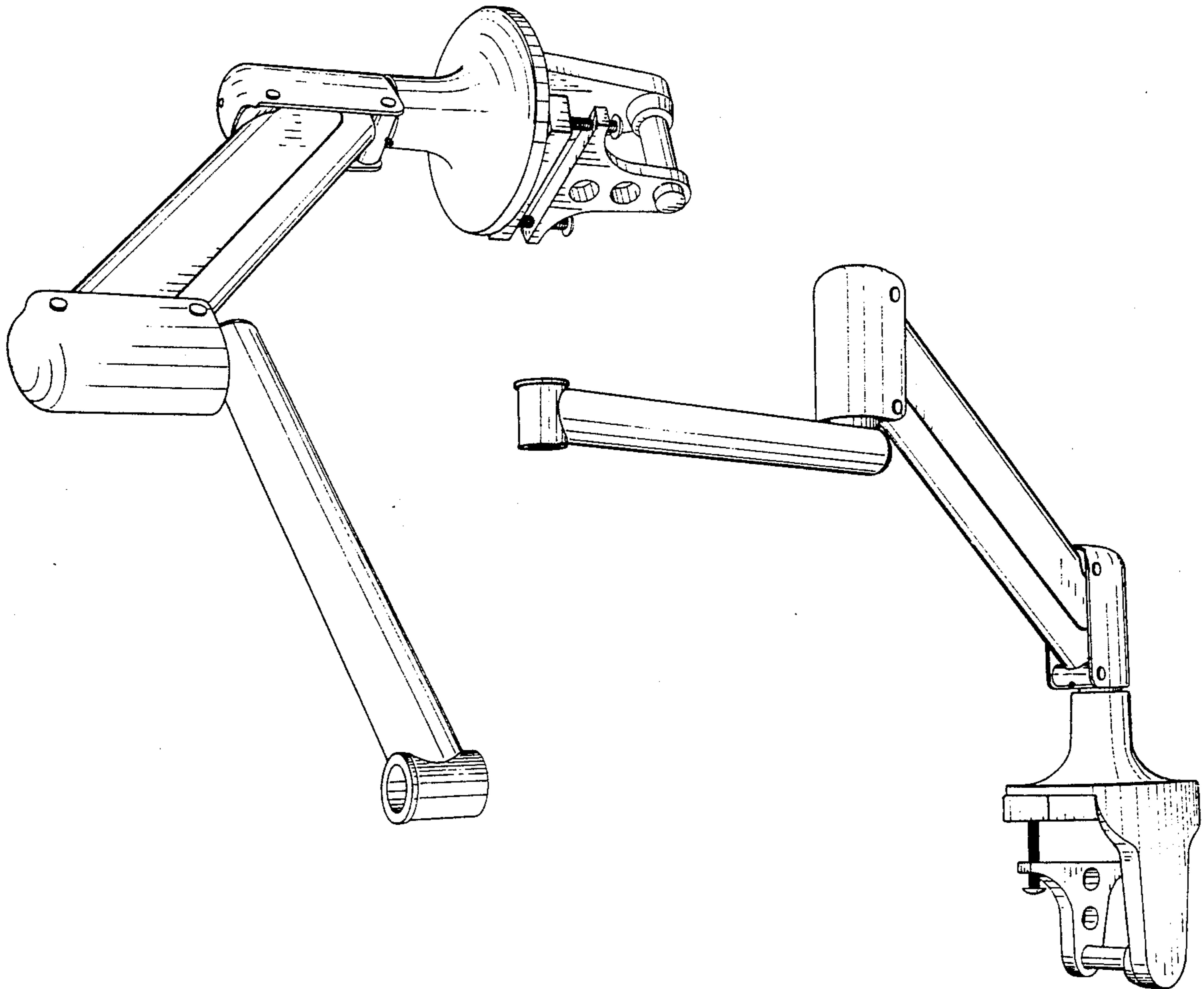


FIG.1

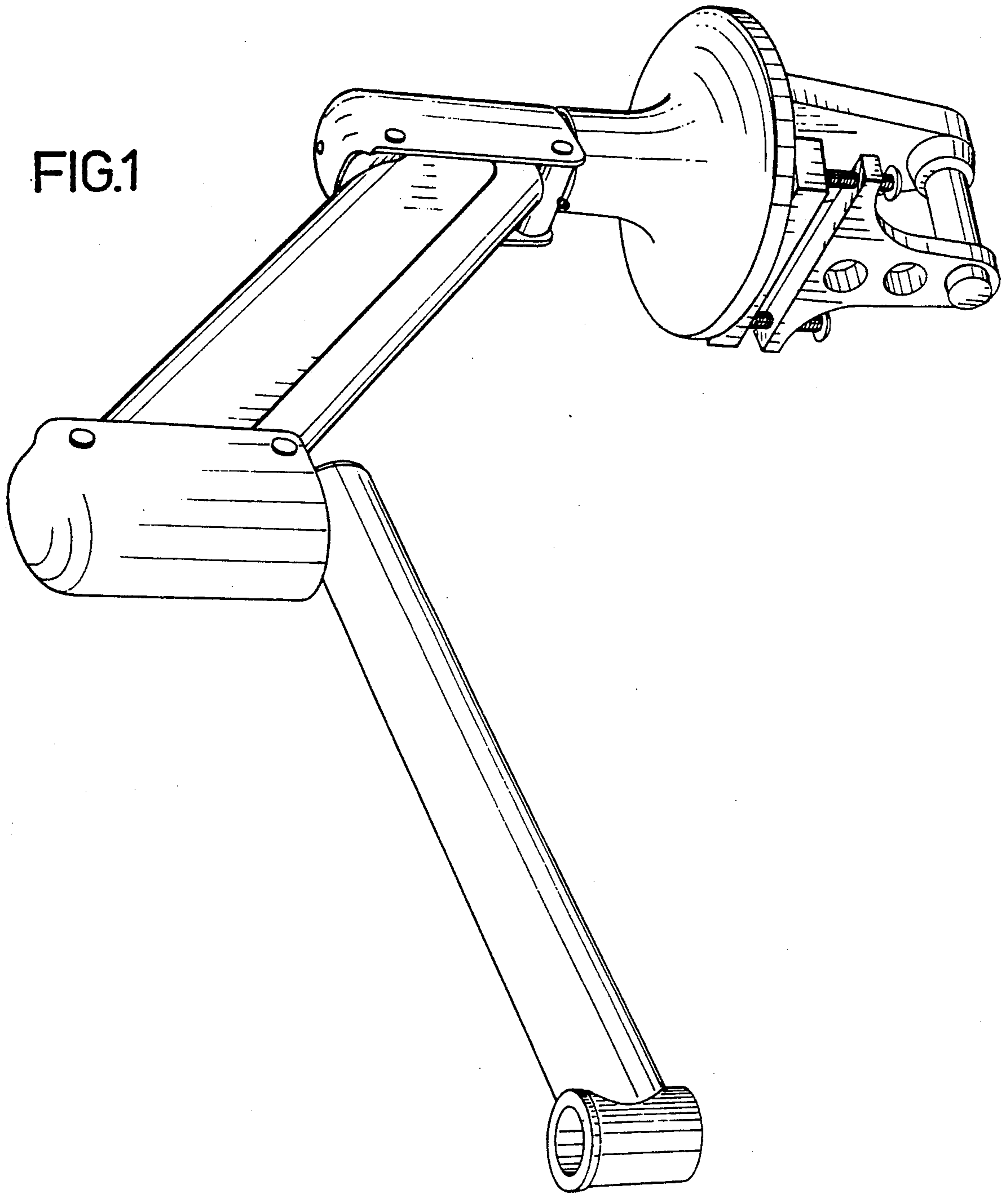


FIG.2

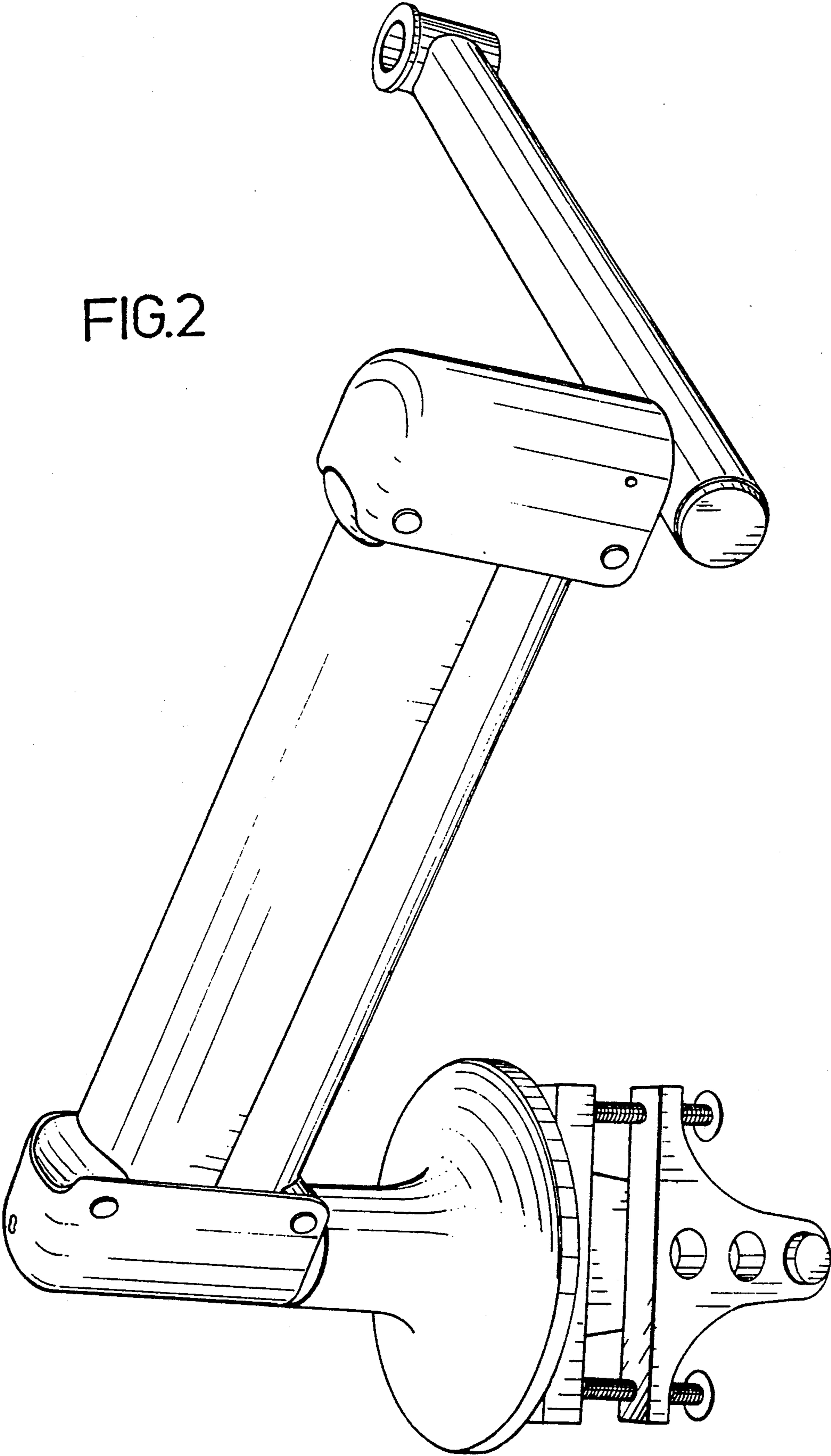


FIG.3

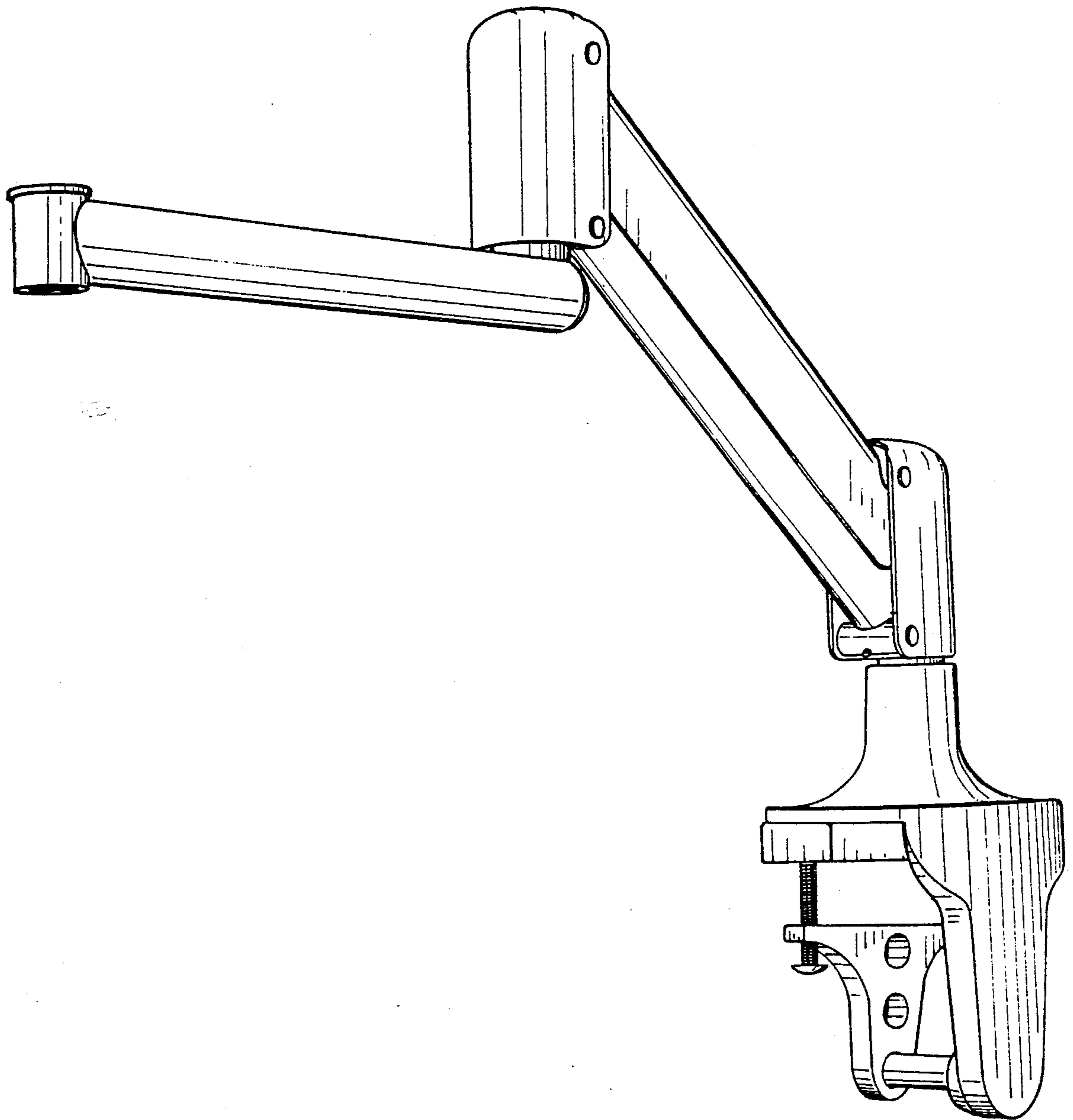


FIG.4

