



US00D323321S

# United States Patent [19]

[11] Patent Number: **Des. 323,321**

**Kline et al.**

[45] Date of Patent: **\*\* Jan. 21, 1992**

[54] **COMBINED DISK DRIVE AND MODULE**

D. 306,578 3/1990 Ishikawa et al. .... D14/109

[75] Inventors: **Jeffrey L. Kline, Austin; Edward J. Sabella, Georgetown, both of Tex.**

### OTHER PUBLICATIONS

NEC Corporation, May 20, 1987, CD ROM Unit PC-CD101.

[73] Assignee: **International Business Machines Corporation, Armonk, N.Y.**

*Primary Examiner*—Susan J. Lucas  
*Assistant Examiner*—Freda S. Nunn  
*Attorney, Agent, or Firm*—Thomas E. Tyson

[\*\*] Term: **14 Years**

[21] Appl. No.: **471,981**

### [57] CLAIM

The ornamental design for the combined disk drive and module, as shown and described.

[22] Filed: **Jan. 29, 1990**

[52] U.S. Cl. .... **D14/109**

[58] Field of Search ..... D14/100, 102, 104, 107, D14/108, 109, 120; D13/184, 199; 360/97.01-99.12, 132, 133, 413; 361/330-335, 390-395, 415, 426; 200/5 A, 5 R, 6 A, 6 R; 312/208, 201, 299

### DESCRIPTION

FIG. 1 is a reduced top front side perspective view of a combined disk drive and module showing our new design;

FIG. 2 is a front elevational view thereof;

FIG. 3 is a rear elevational view thereof;

FIG. 4 is a top plan view thereof;

FIG. 5 is a bottom plan view thereof;

FIG. 6 is a left side elevational view thereof; and

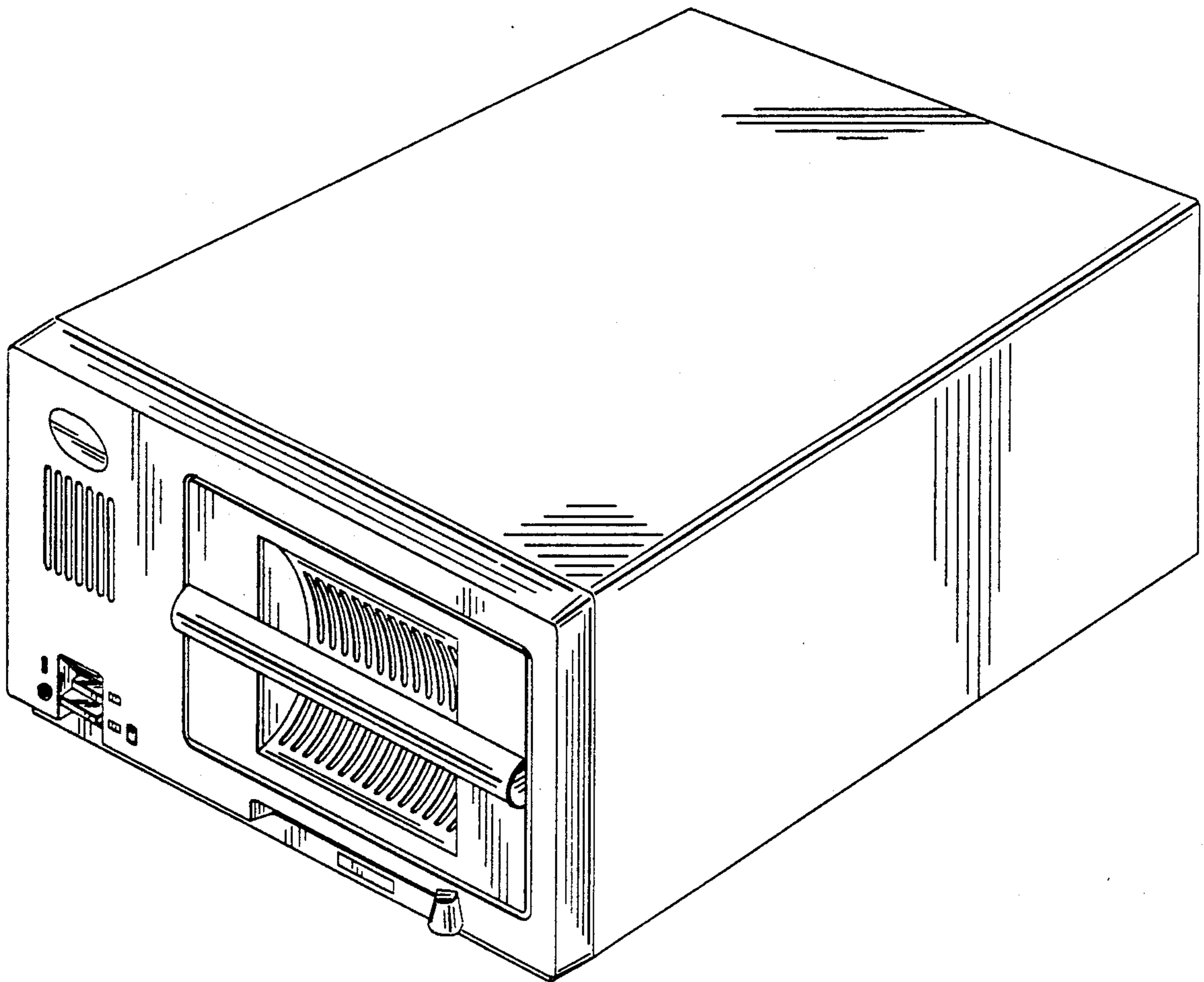
FIG. 7 is a right side elevational view thereof.

The module is shown inserted in the views.

### [56] References Cited

#### U.S. PATENT DOCUMENTS

- D. 286,049 10/1986 Nishida ..... D14/107
- D. 297,843 9/1988 Pedinielli et al. .... D14/107
- D. 303,110 8/1989 Ji ..... D14/100
- D. 306,286 2/1990 Sawatani et al. .... D14/109



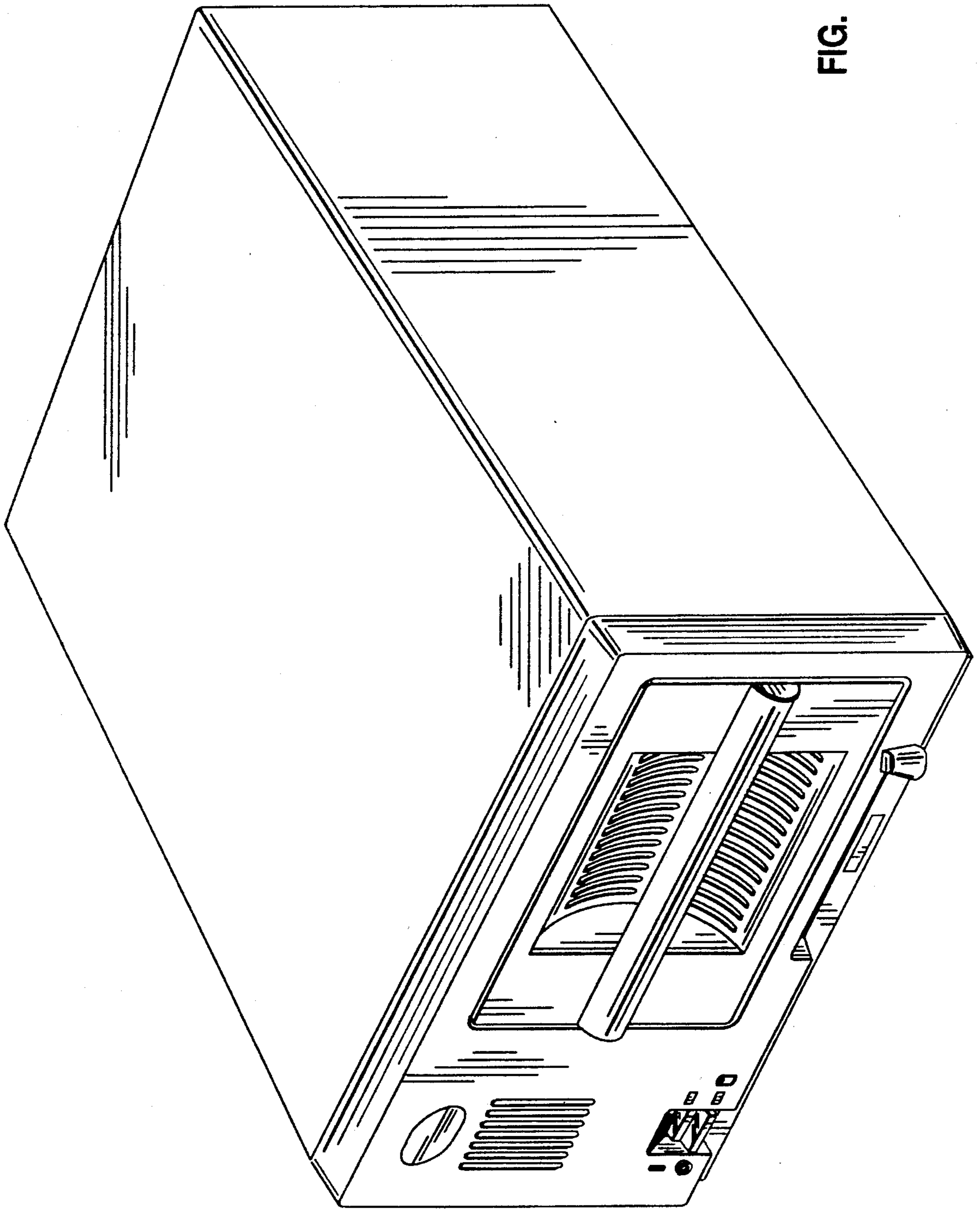


FIG. 1

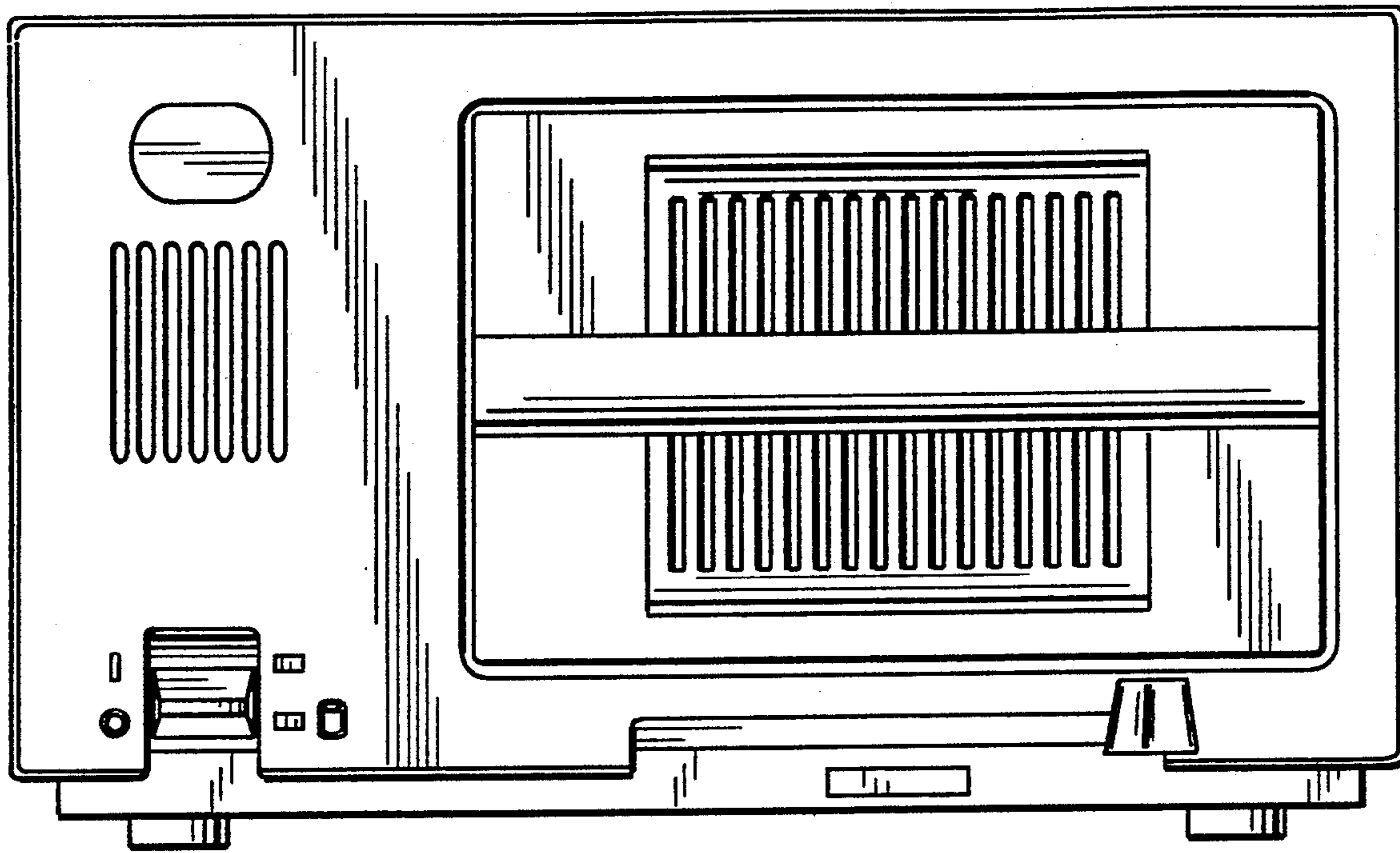


FIG. 2

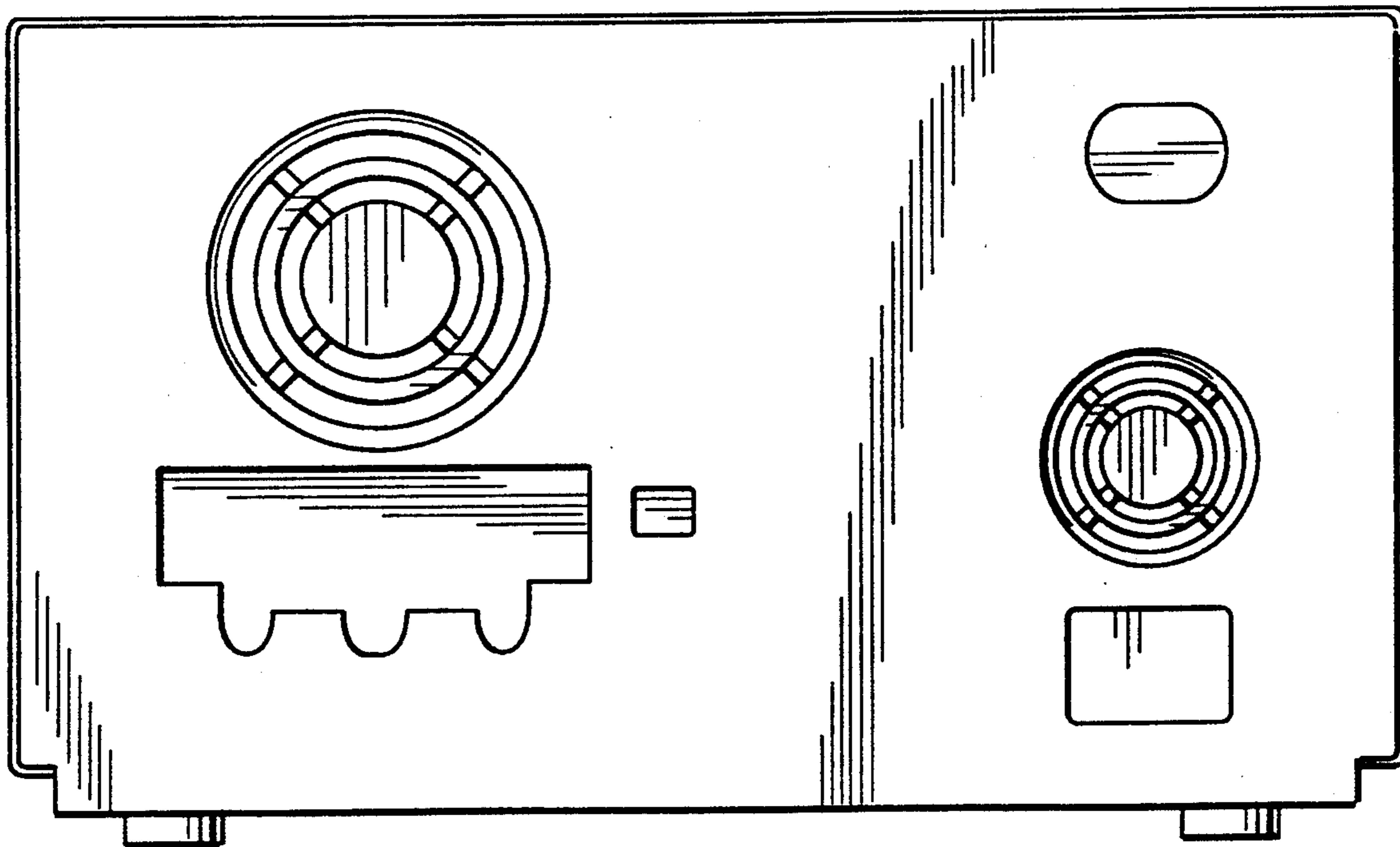


FIG. 3

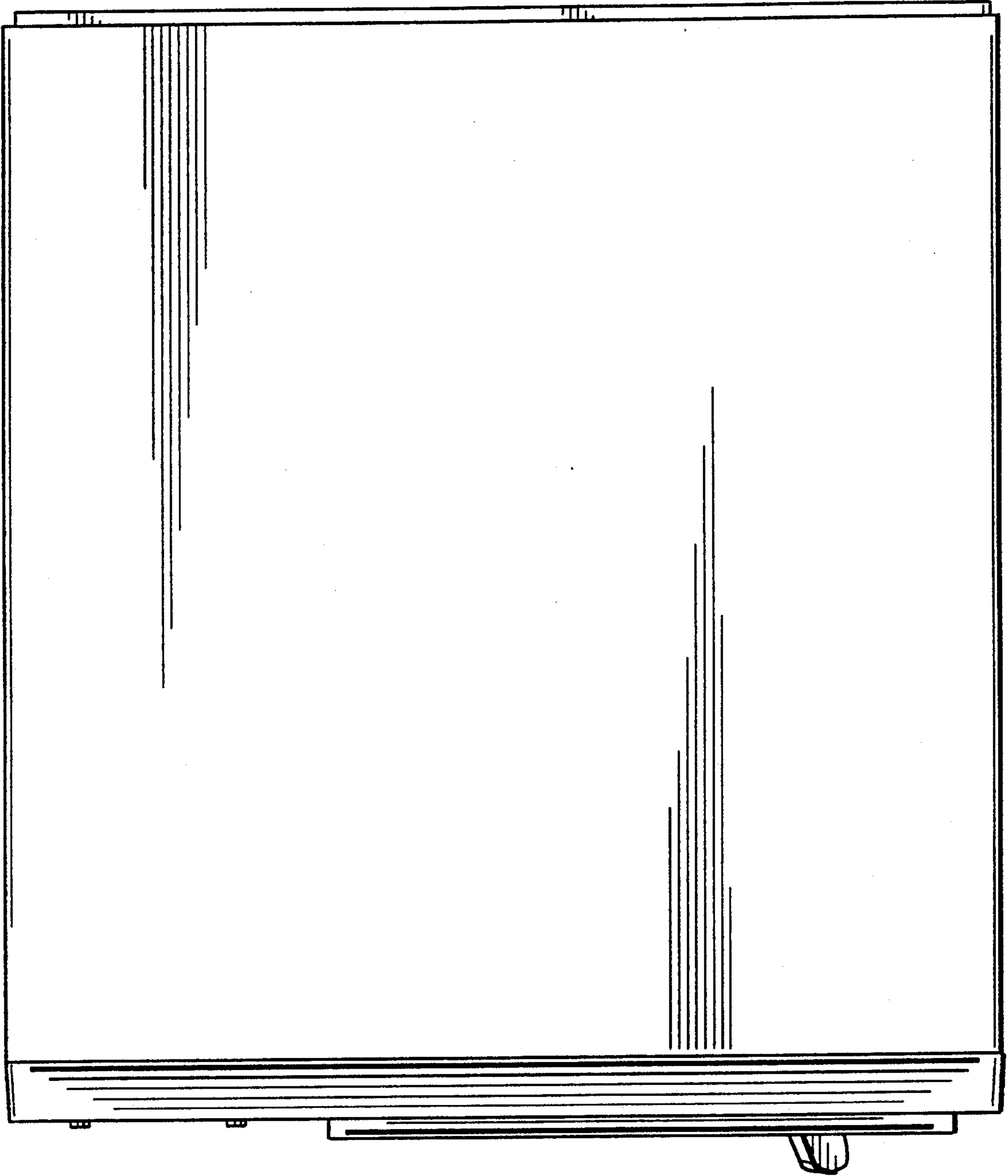


FIG. 4



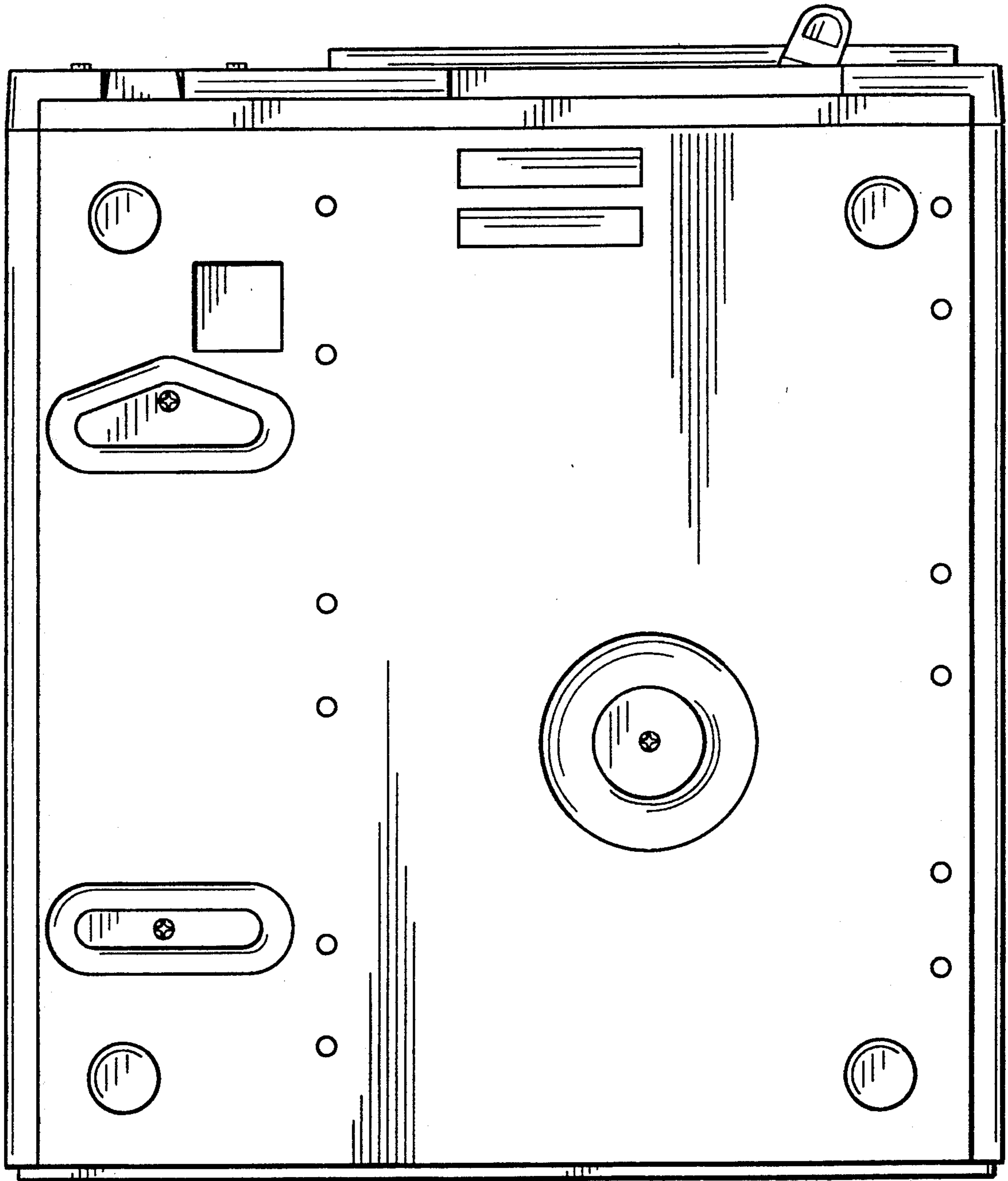


FIG. 5

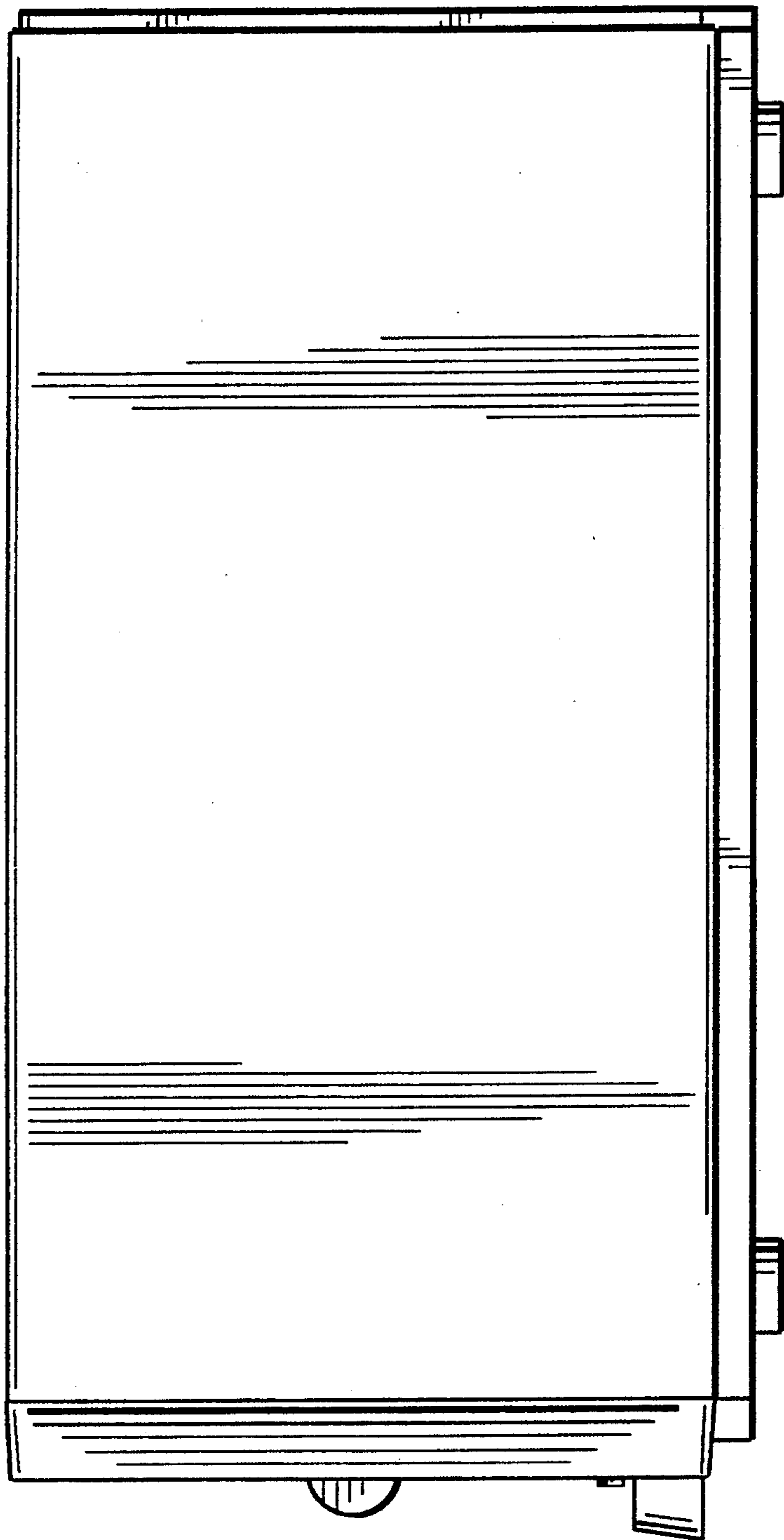


FIG. 6

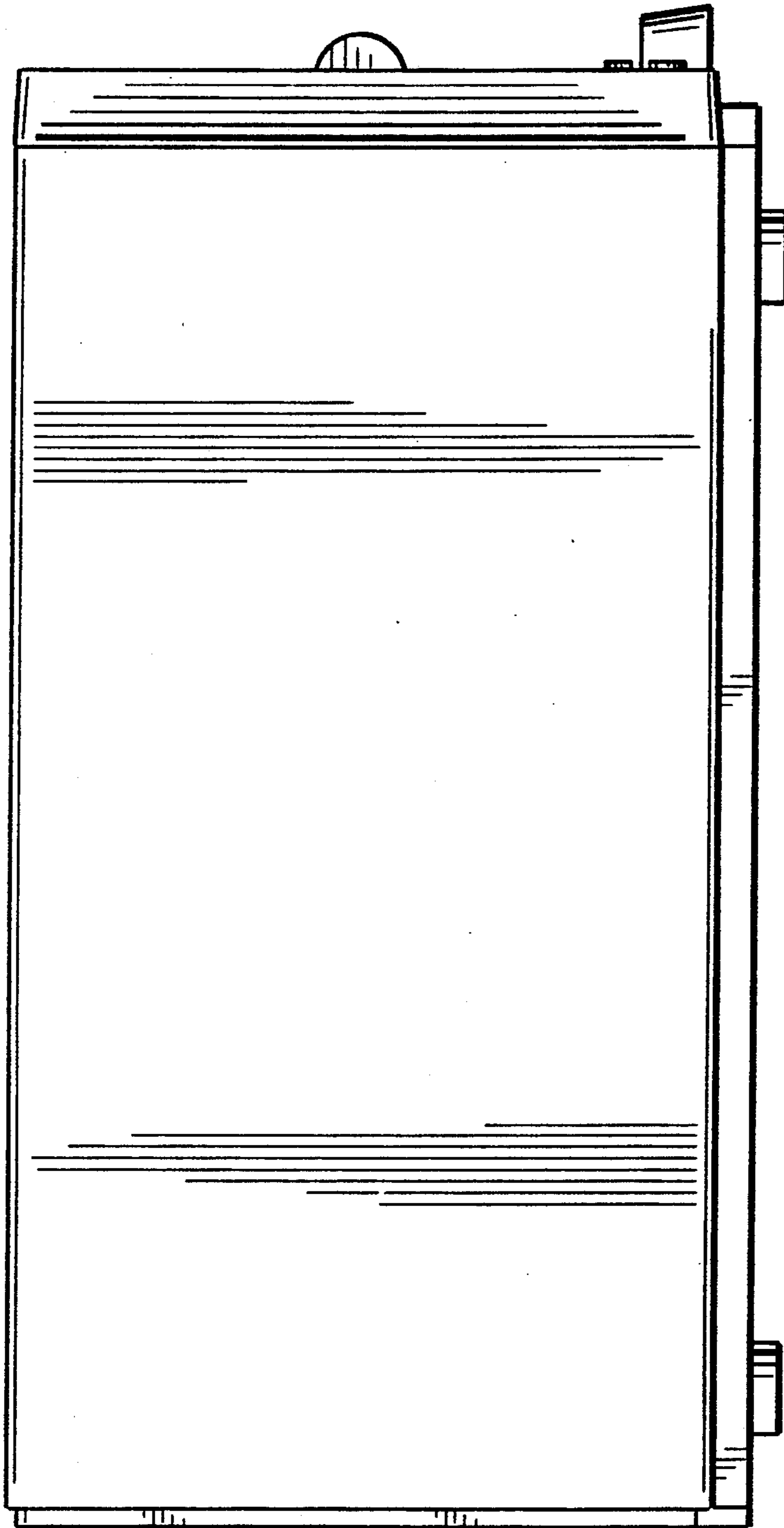


FIG. 7