



US00D323320S

# United States Patent [19]

[11] Patent Number: **Des. 323,320**

Strong et al.

[45] Date of Patent: **\*\* Jan. 21, 1992**

[54] **LAPTOP COMPUTER**

[75] Inventors: **Michael Strong, Corona Del Mar; Chuck Jones, Chino; Stuart M. Hagen, Santa Ana, all of Calif.**

[73] Assignee: **Symbol Technologies, Inc., Bohemia, N.Y.**

[\*\*] Term: **14 Years**

[21] Appl. No.: **491,646**

[22] Filed: **Mar. 12, 1990**

[52] U.S. Cl. .... **D14/106; D14/101**

[58] Field of Search ..... **D14/100, 101, 106, 113, D14/115, 240, 105, 140, 144, 249; D18/1, 7, 11, 12; 340/700, 706, 711, 712; 341/22, 23; 235/145 A, 145 R; 364/708-710; 400/677, 682, 496; 312/208; 379/93, 96, 110, 440**

[56] **References Cited**

**U.S. PATENT DOCUMENTS**

D. 222,883 1/1972 Levow et al. .... D14/101  
D. 253,110 10/1979 Randolph ..... D14/105

D. 255,235 6/1980 Kepford ..... D14/101  
D. 275,102 8/1984 MacConnell ..... D14/106 X  
D. 302,811 8/1989 Bratasevec ..... D14/100  
D. 320,009 9/1991 Yamamoto et al. .... D14/106

*Primary Examiner*—Wallace R. Burke

*Assistant Examiner*—Freda S. Nunn

[57] **CLAIM**

The ornamental design for a laptop computer, as shown and described.

**DESCRIPTION**

FIG. 1 is an enlarged top front right side perspective view of a laptop computer in an opened configuration showing our new design;

FIG. 2 is a top plan view thereof;

FIG. 3 is a front elevational view thereof;

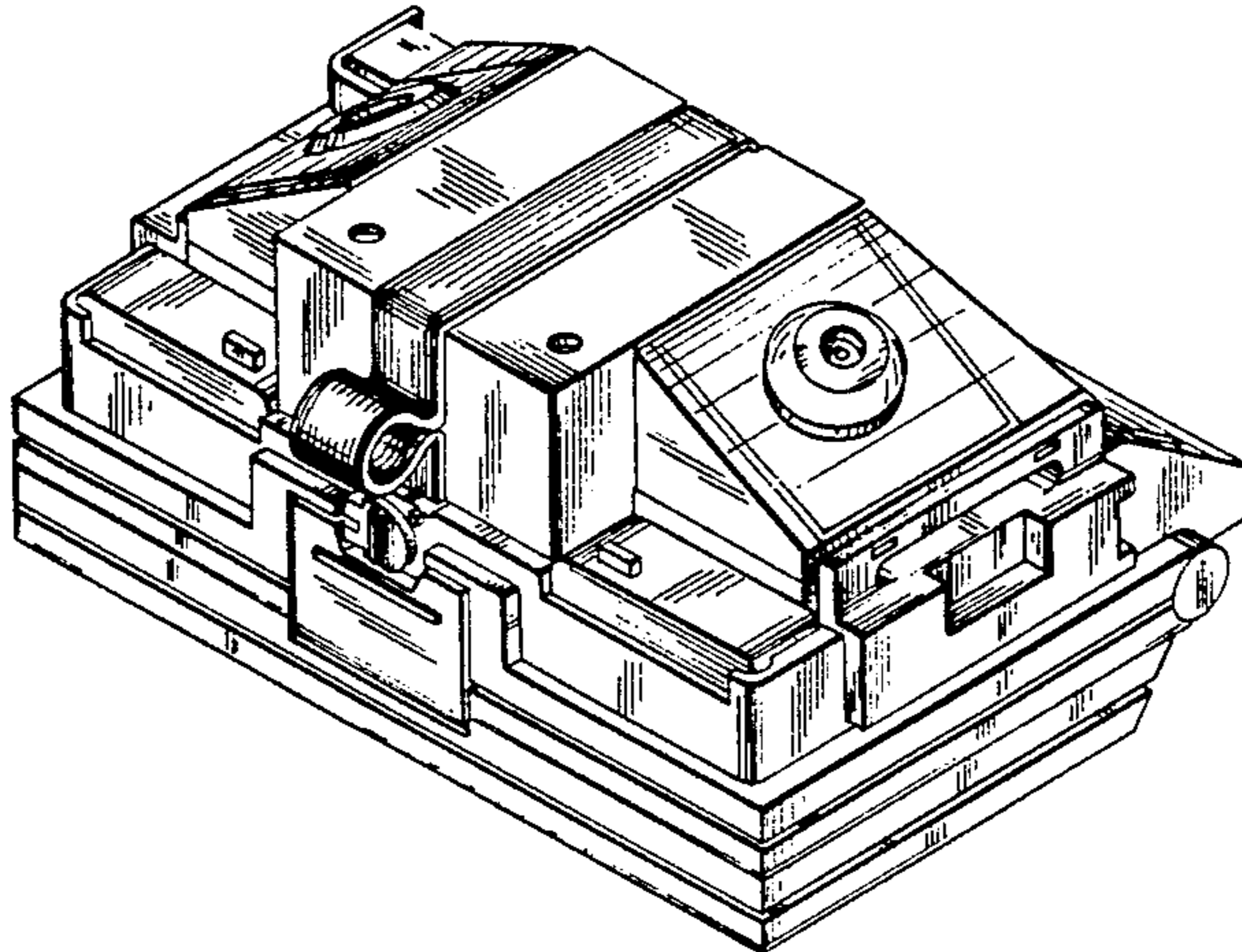
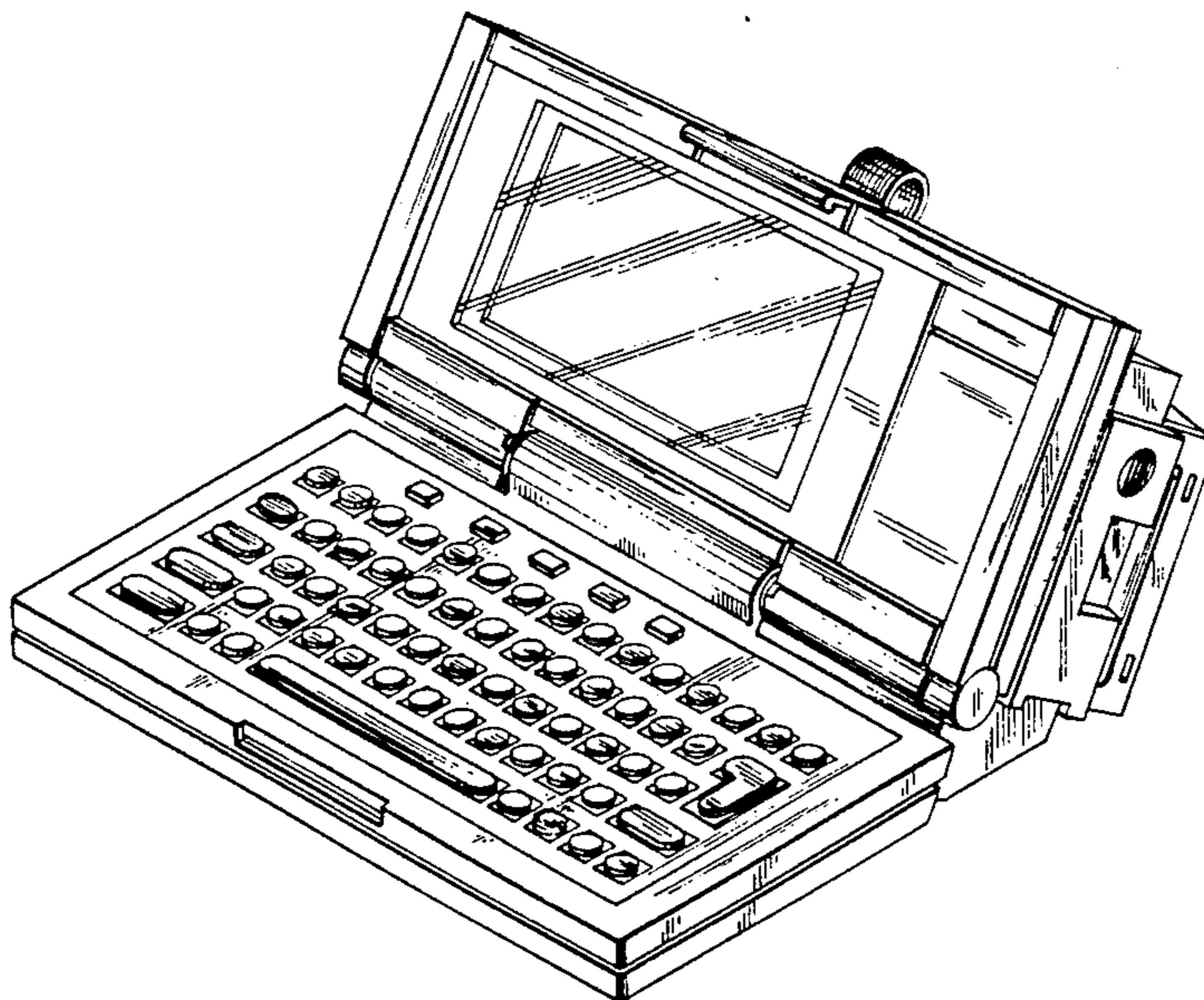
FIG. 4 is a left side elevational view thereof;

FIG. 5 is a right side elevational view thereof;

FIG. 6 is a rear elevational view thereof;

FIG. 7 is a bottom plan view thereof; and

FIG. 8 is an enlarged top rear left side perspective view thereof in a closed configuration.



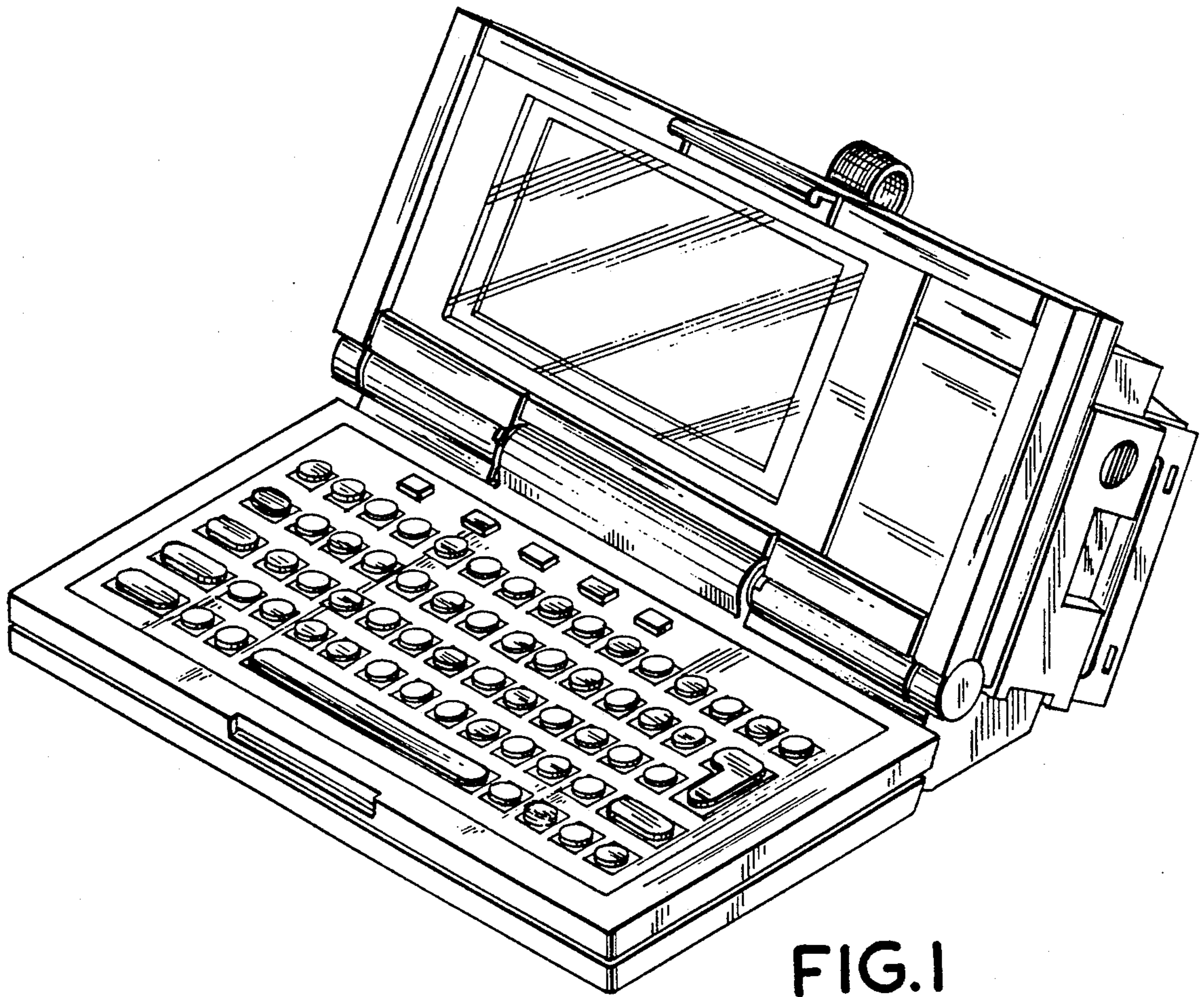


FIG. 1

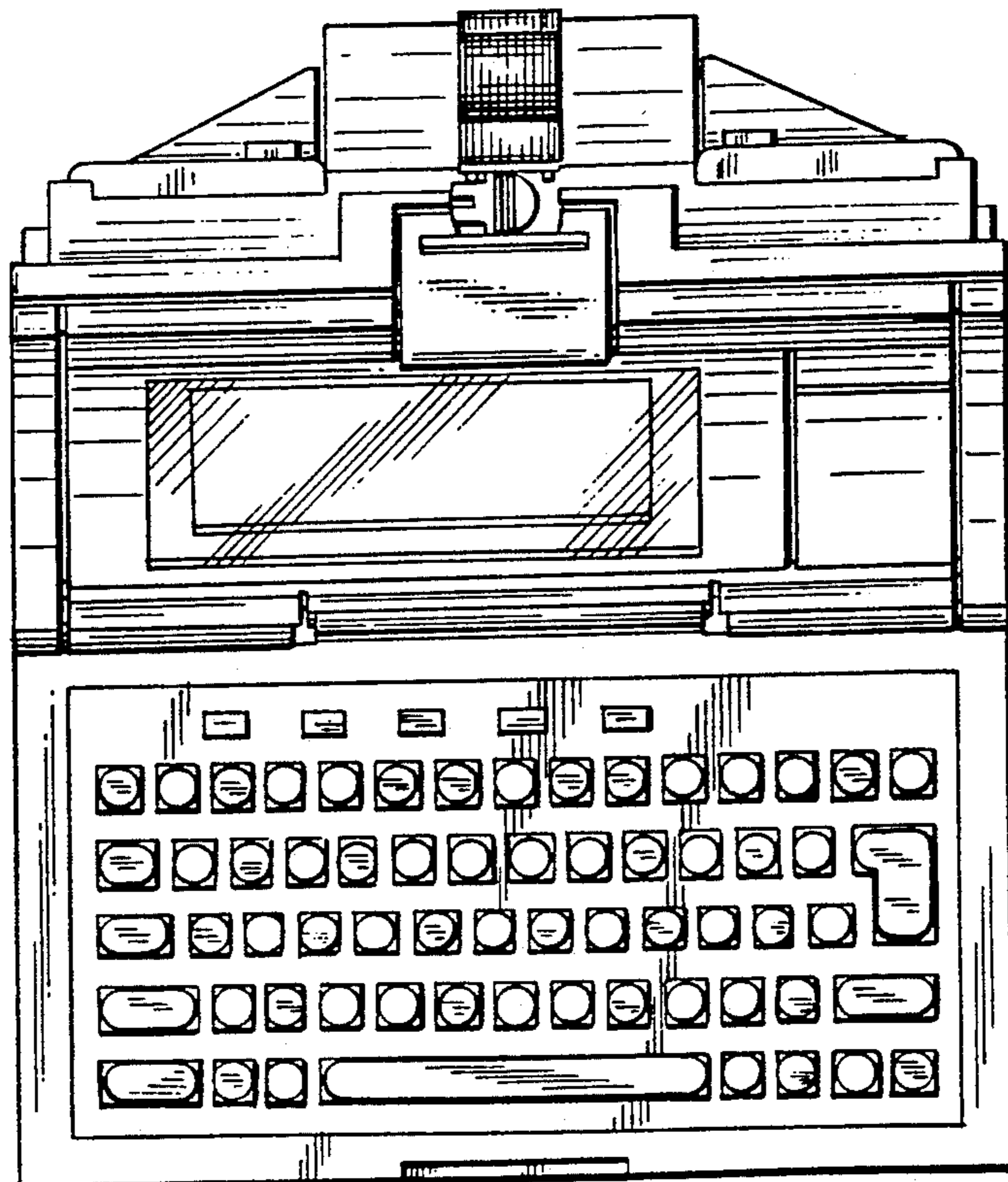


FIG. 2

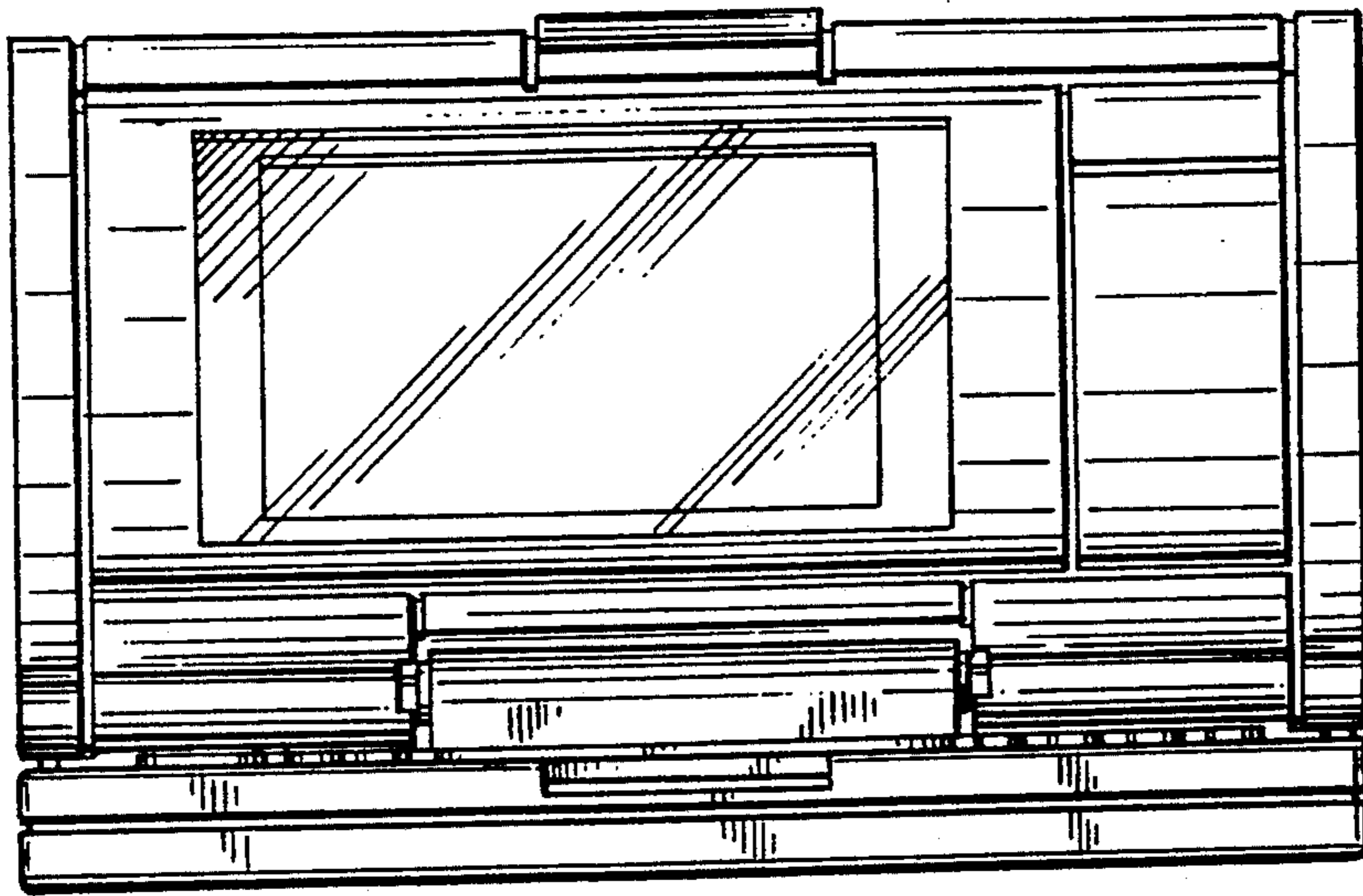


FIG. 3

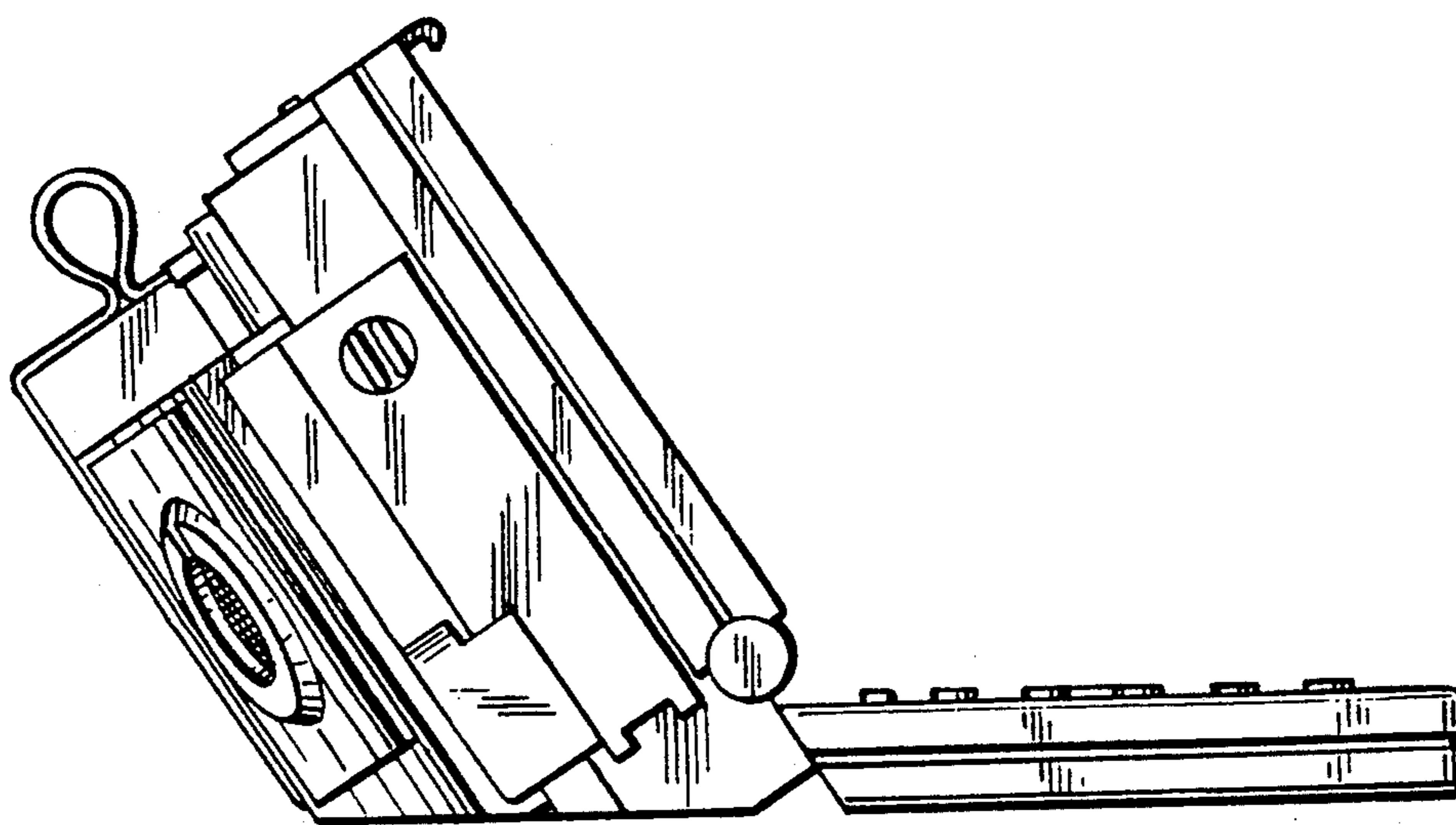


FIG. 4

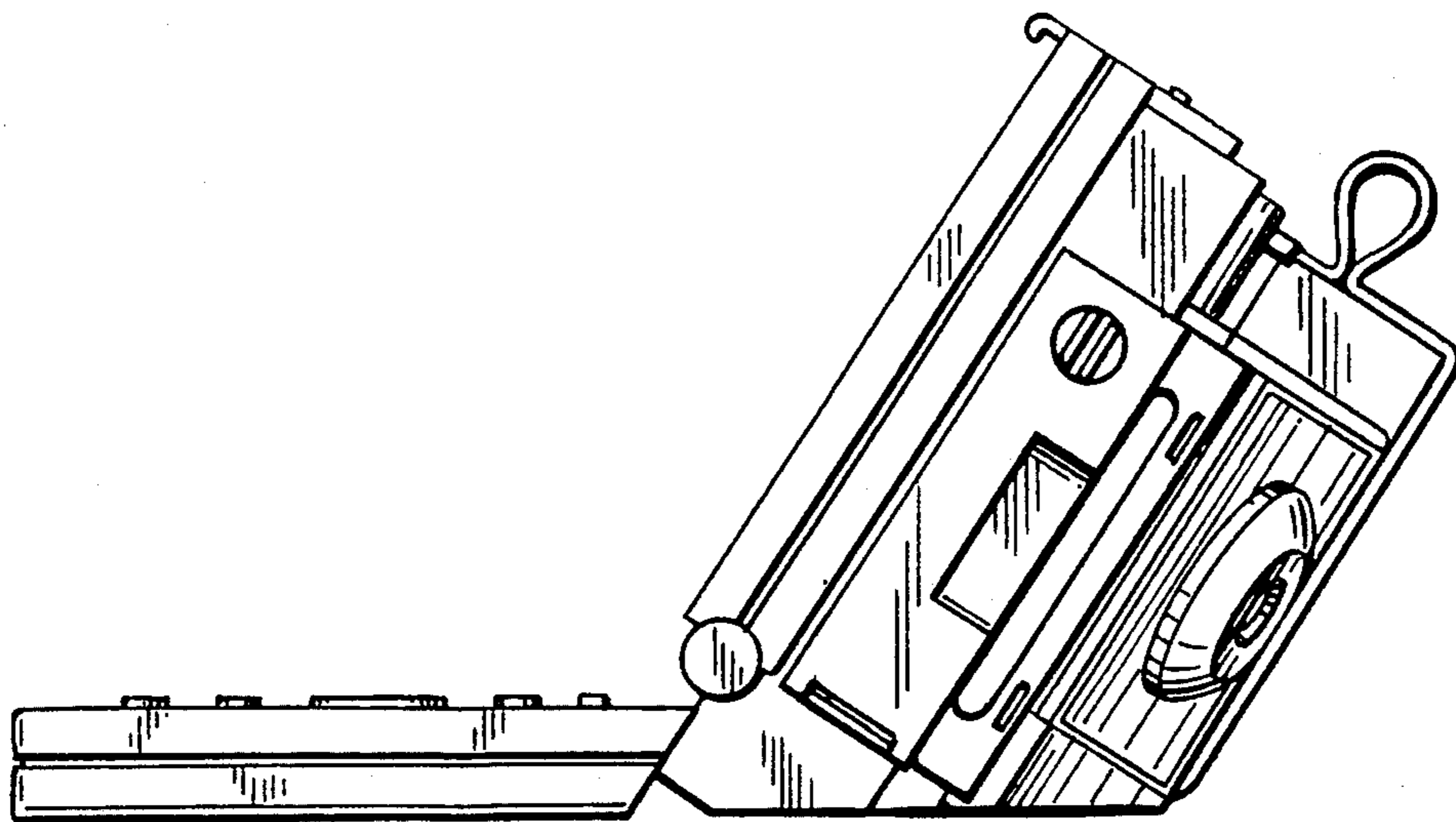


FIG. 5

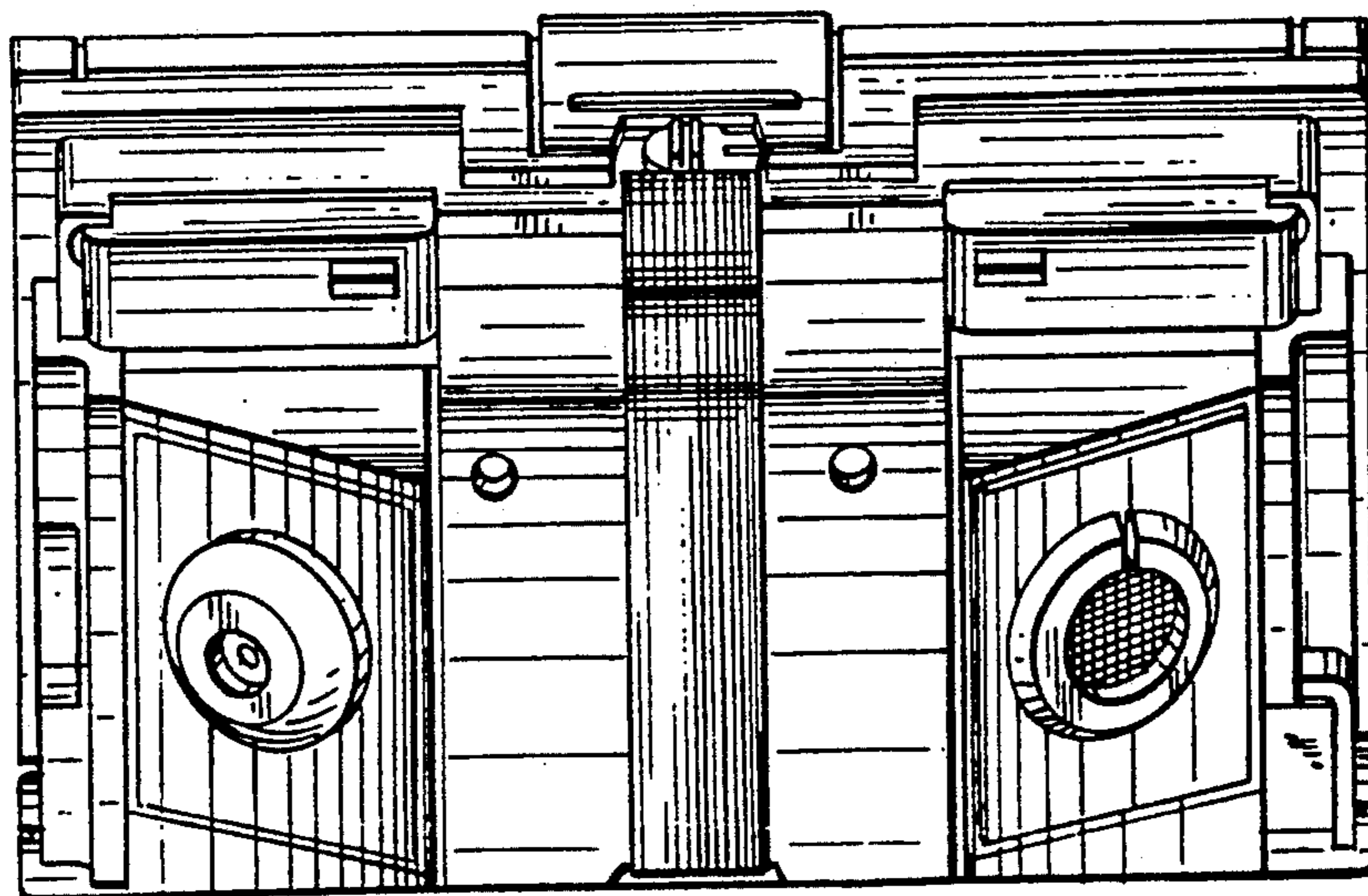


FIG. 6

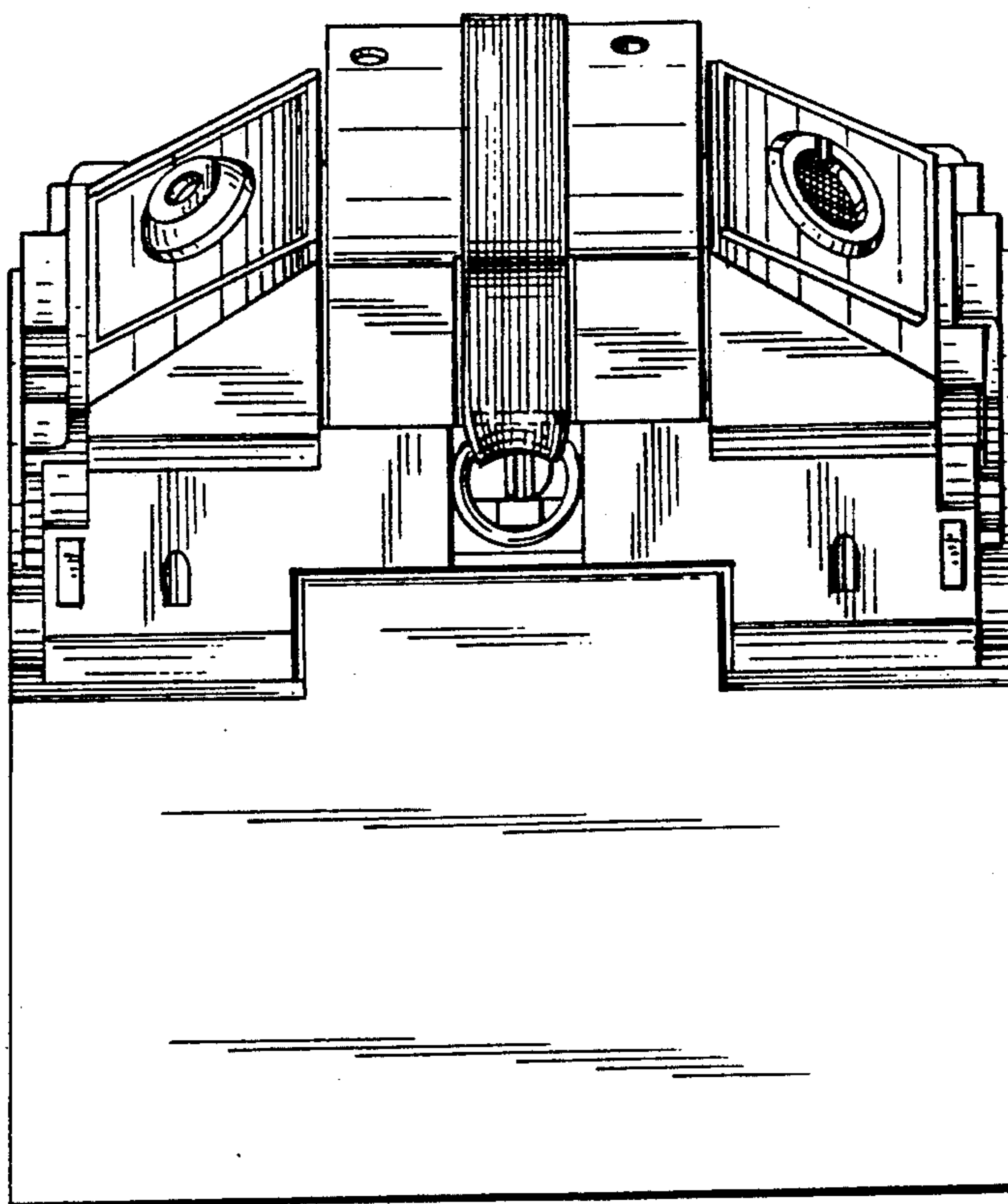


FIG. 7

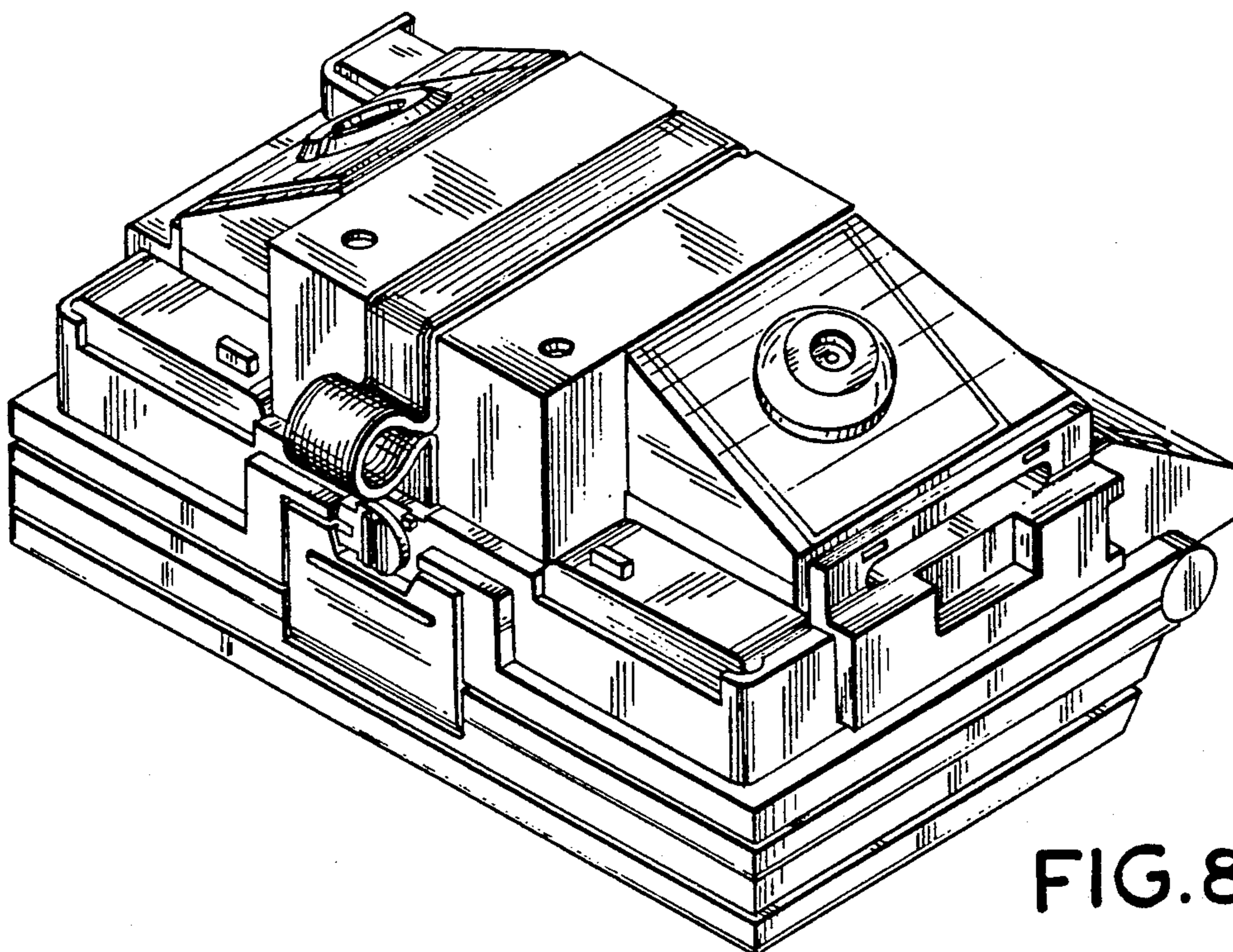


FIG. 8