



US00D323318S

United States Patent [19]

[11] Patent Number: **Des. 323,318**

Feinstein, Jr. et al.

[45] Date of Patent: **** Jan. 21, 1992**

[54] **MAGAZINE FOR A PLURALITY OF TUBE ASSEMBLIES CARRYING INTEGRATED CIRCUIT CHIPS**

[56] **References Cited**

U.S. PATENT DOCUMENTS

D. 270,051	8/1983	Smith	D13/182
D. 313,586	1/1991	Vitek	D34/40 X
4,043,485	8/1977	Tipetts	206/331 X
4,591,053	5/1986	Alemanni	206/331
4,638,348	1/1987	Brown et al.	361/393 X
4,765,471	8/1988	Murphy	206/331 X
4,987,516	1/1991	Belanger, Jr. et al.	361/413

[75] Inventors: **Paul Feinstein, Jr., Austin; Ronald E. Hunt, Georgetown; Alan J. Schwartz, Cedar Park; Verlon E. Whitehead, Austin, all of Tex.**

Primary Examiner—Wallace R. Burke
Assistant Examiner—Freda S. Nunn
Attorney, Agent, or Firm—Robert M. Carwell

[73] Assignee: **International Business Machines Corporation, Armonk, N.Y.**

[57] **CLAIM**

[**] Term: **14 Years**

The ornamental design for a magazine for a plurality of tube assemblies carrying integrated circuit chips, as shown and described.

[21] Appl. No.: **453,435**

DESCRIPTION

[22] Filed: **Dec. 18, 1989**

FIG. 1 is a magazine for a plurality of tube assemblies carrying integrated circuit chips showing our new design;

[52] U.S. Cl. **D13/182; D34/40**

FIG. 2 is a front elevational view thereof on an enlarged scale;

[58] Field of Search **D14/100, 114; D13/182, D13/199, 184; D34/40; D9/420; 29/740, 759, 840; 198/346.1, 343.1, 341, 465.1, 617; 408/49; 414/280, 331, 417; 439/526, 331, 354; 361/393, 395, 415, 416, 413; 206/331, 46, 329; 357/74; 221/312**

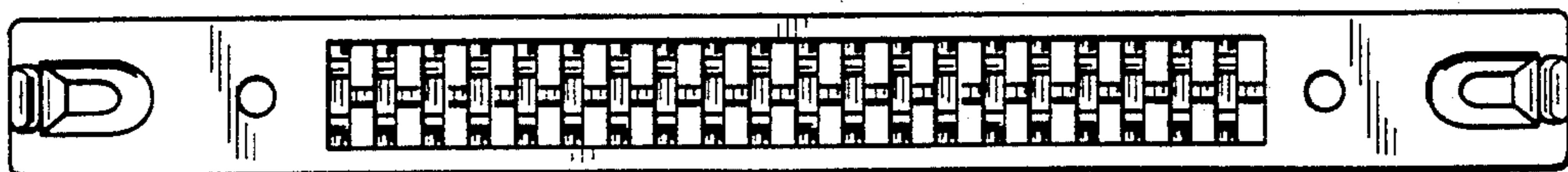
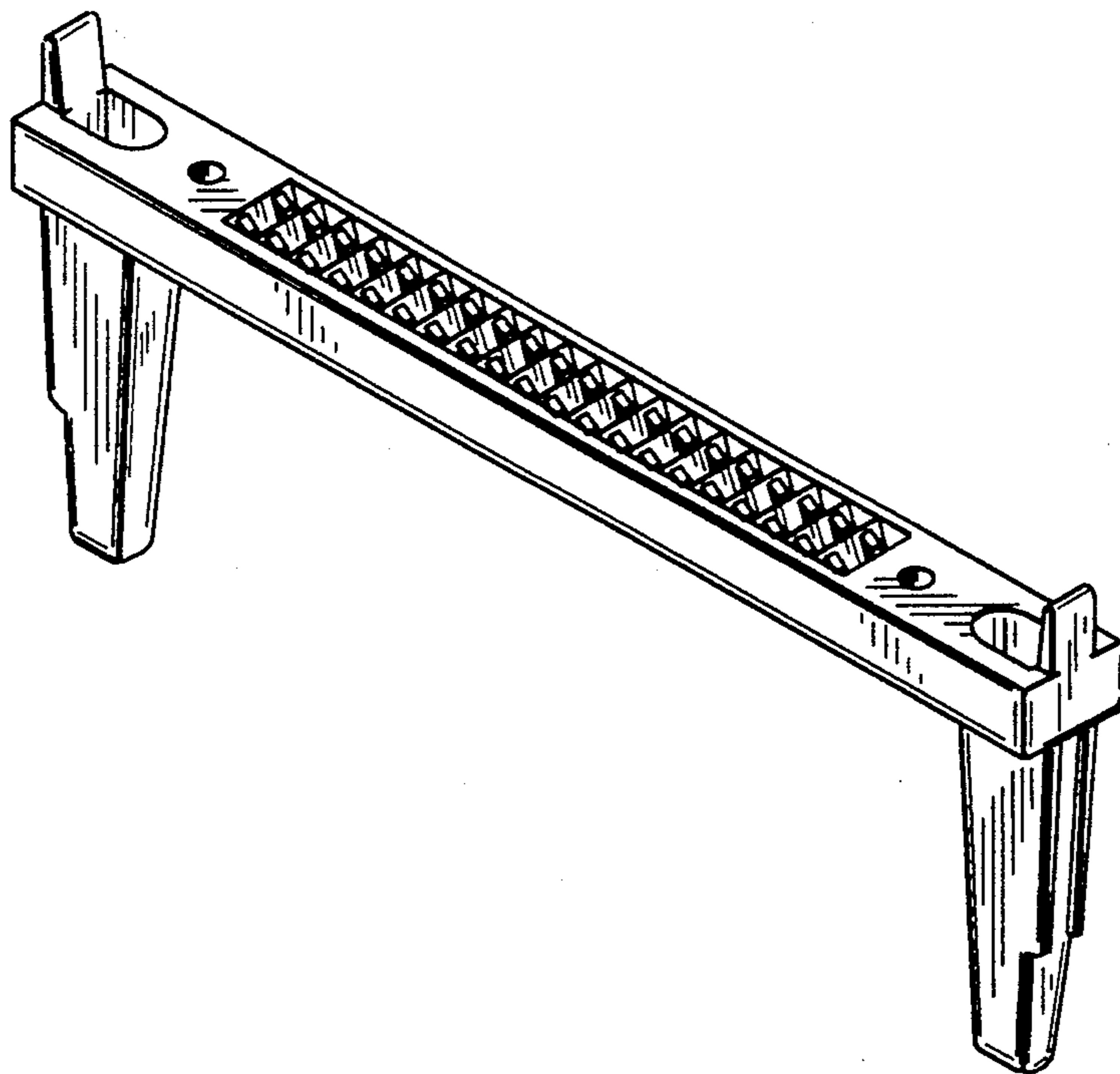
FIG. 3 is a right side elevational view thereof;

FIG. 4 is a top plan view thereof;

FIG. 5 is a rear elevational view thereof;

FIG. 6 is a left side elevational view thereof; and

FIG. 7 is a bottom plan view thereof.



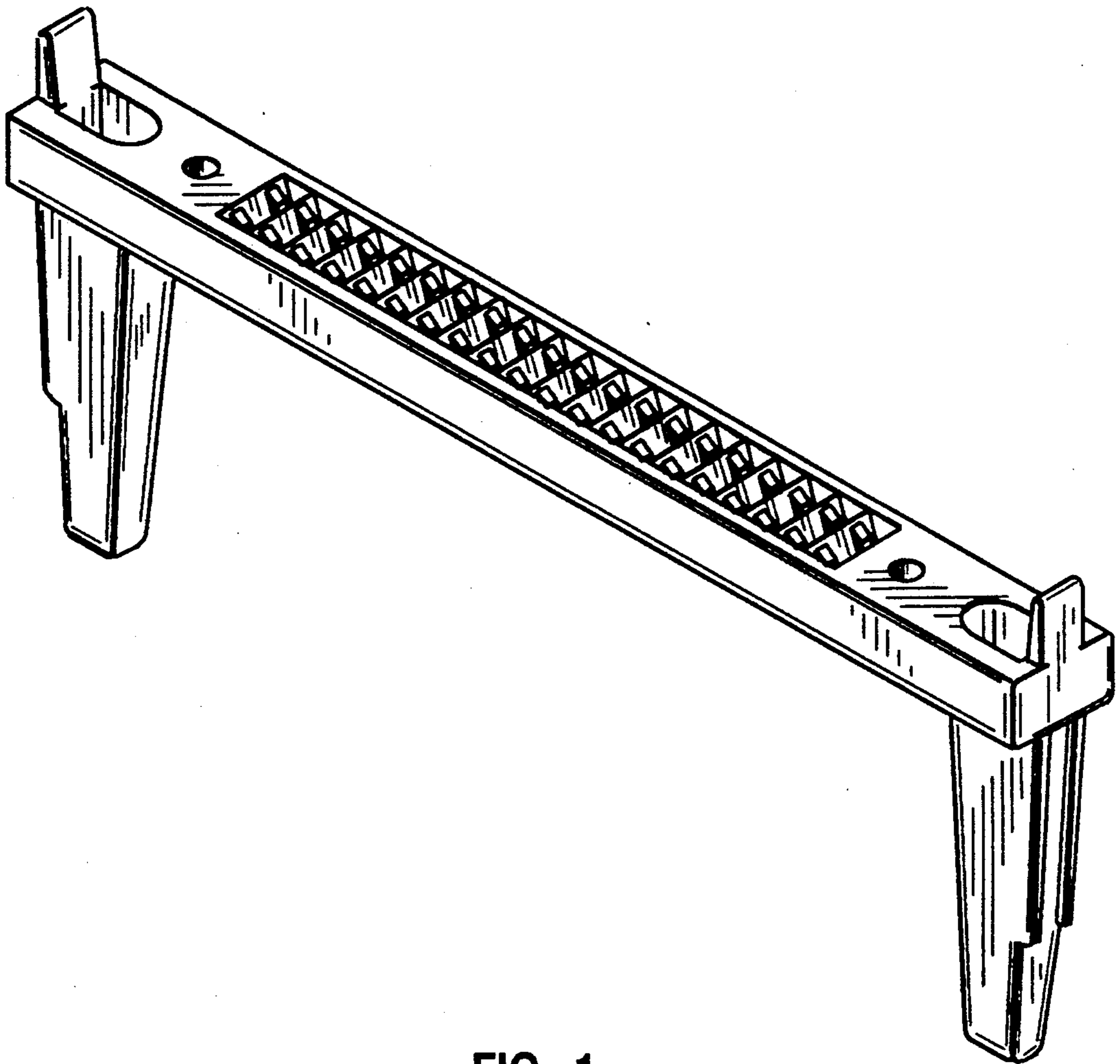


FIG. 1

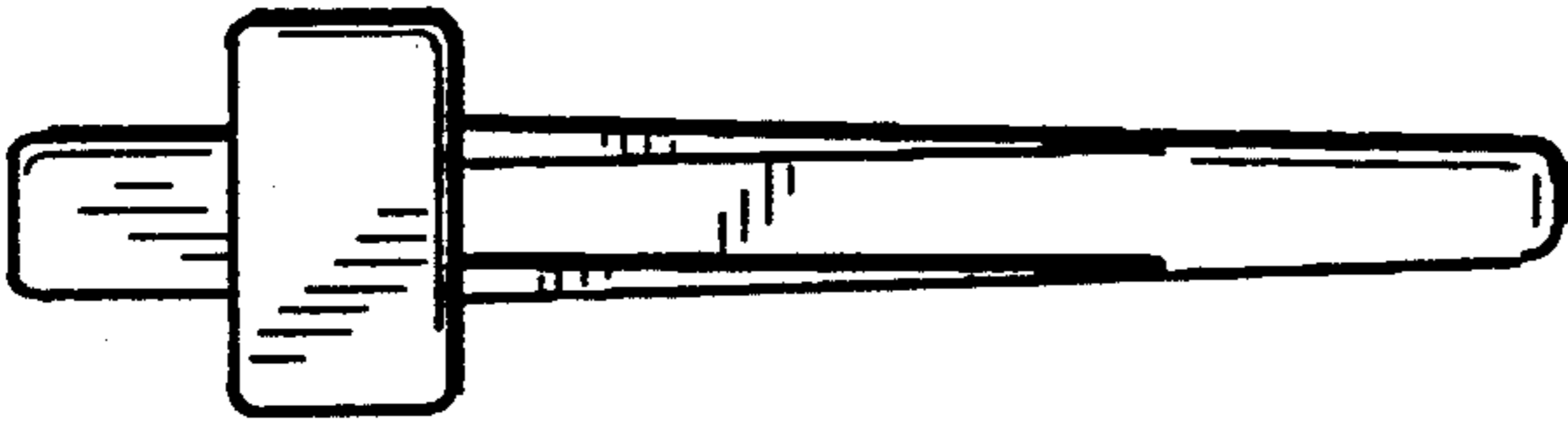


FIG. 3

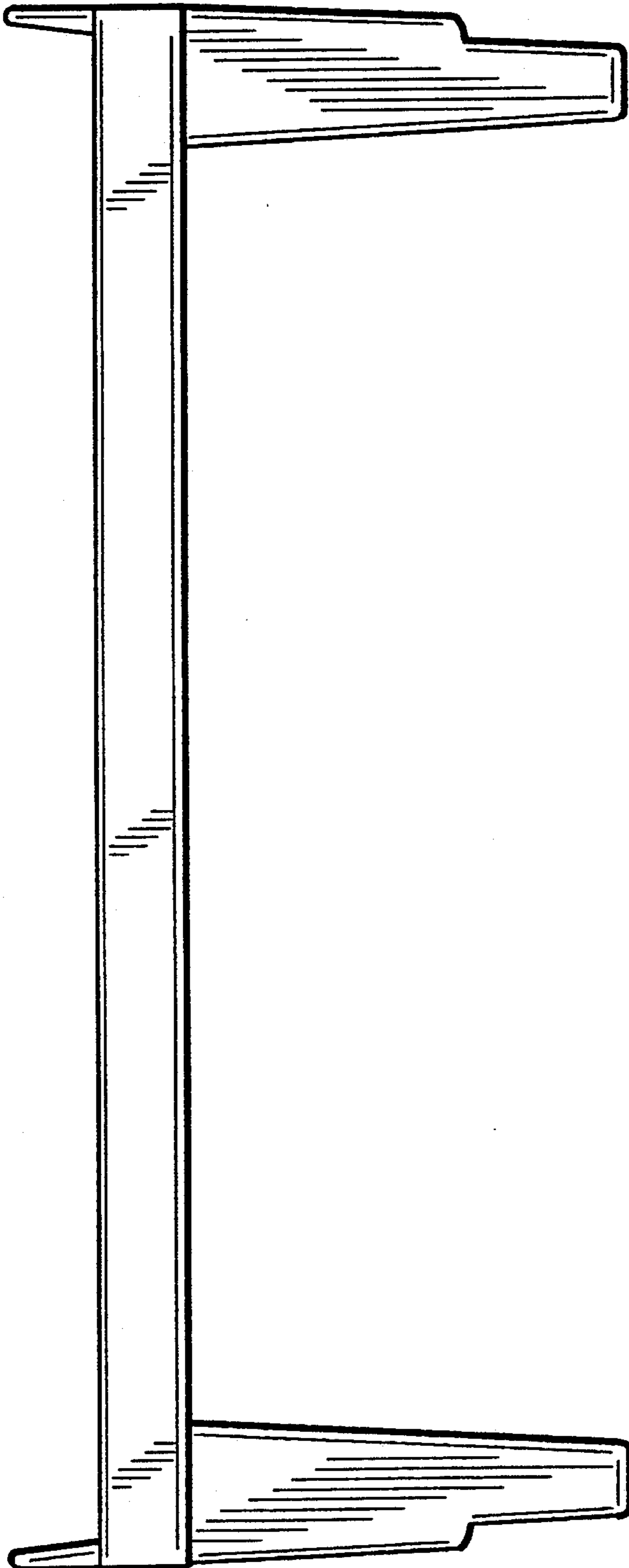


FIG. 2

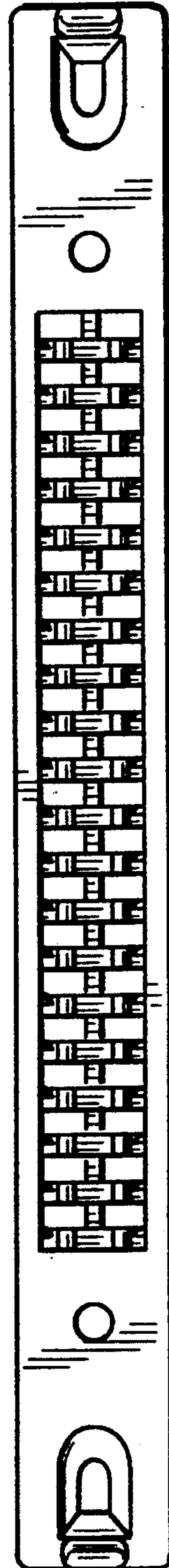


FIG. 4

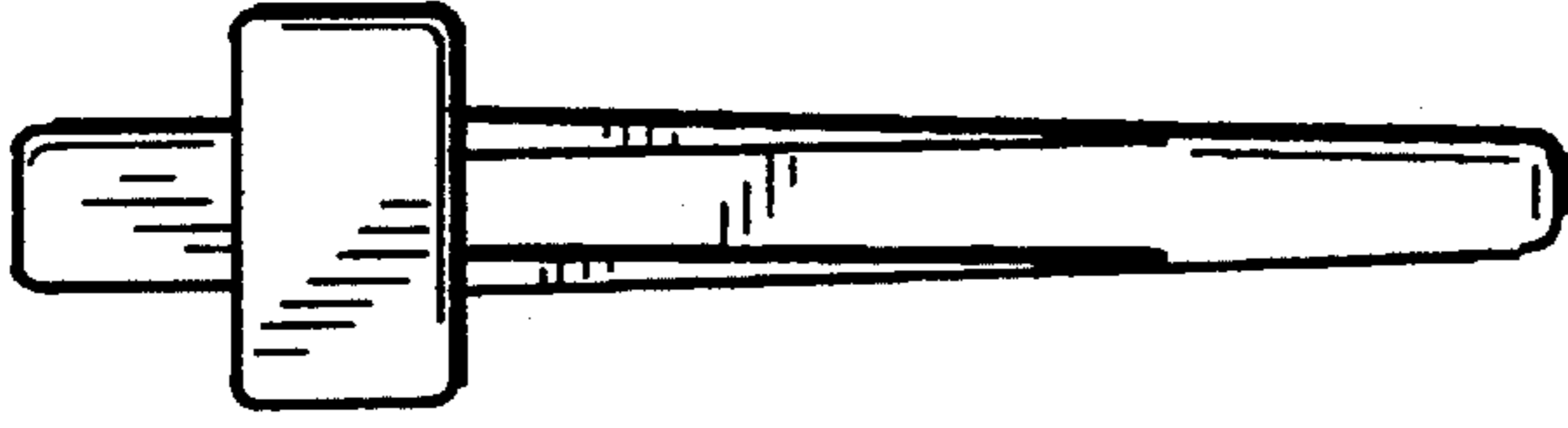


FIG. 6

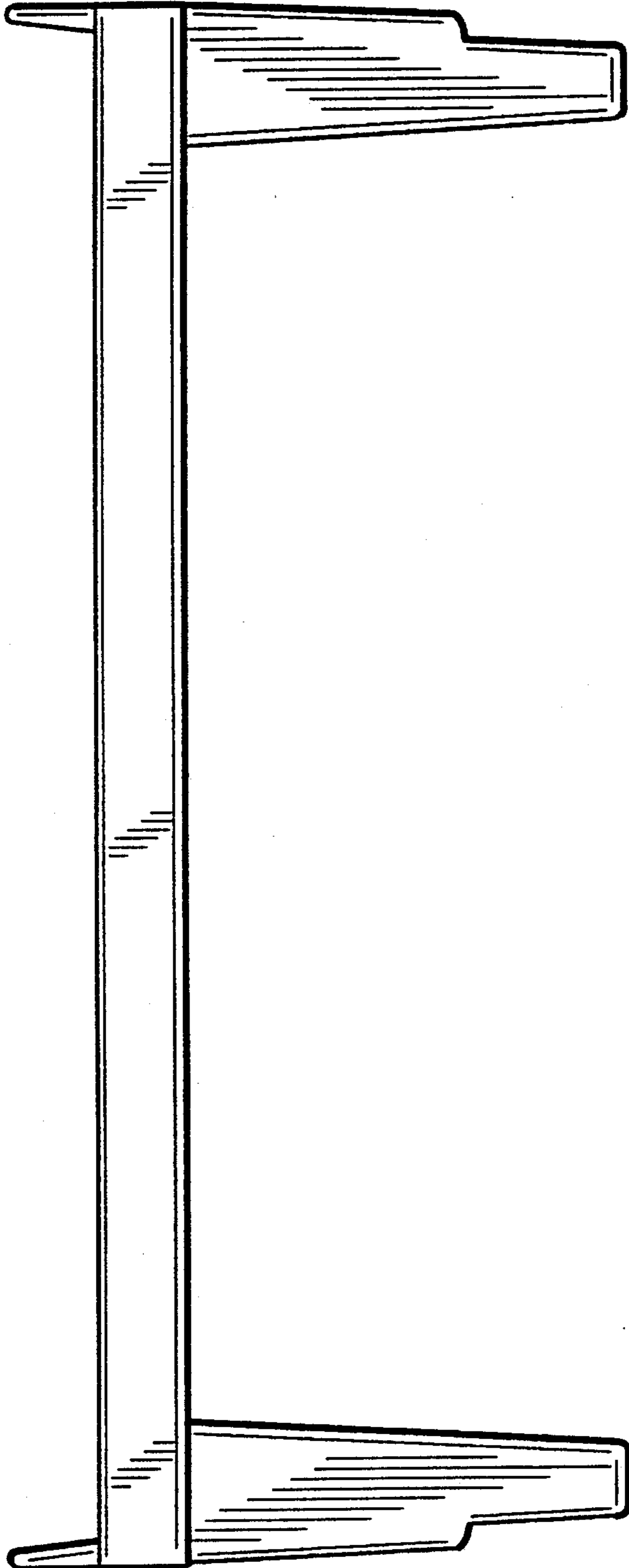


FIG. 5

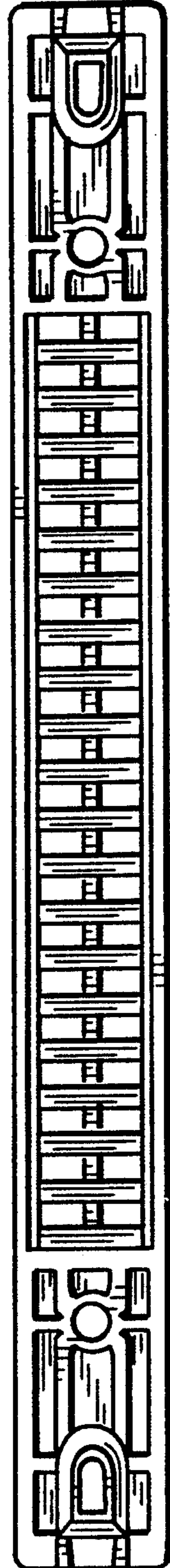


FIG. 7