



US00D323317S

United States Patent [19]

[11] Patent Number: **Des. 323,317**

Nagasaka et al.

[45] Date of Patent: **** Jan. 21, 1992**

[54] ELECTRICAL CONNECTOR HOUSING

[75] Inventors: **Yasuhiro Nagasaka, Toyota; Yuji Hatagishi, Shizuoka, both of Japan**

[73] Assignee: **Yazaki Corporation, Tokyo, Japan**

[**] Term: **14 Years**

[21] Appl. No.: **375,329**

[22] Filed: **Jul. 3, 1989**

[30] Foreign Application Priority Data

Jan. 6, 1989 [JP] Japan 1-000050

[52] U.S. Cl. **D13/147**

[58] Field of Search D13/146, 147; 439/76, 439/625, 638, 639, 650-656, 660, 668, 682, 686, 690, 691, 692, 701, 724

[56] References Cited

U.S. PATENT DOCUMENTS

3,573,704	4/1971	Tarver	439/76
3,617,811	11/1971	McVoy	439/76 X
3,648,115	3/1972	Teagno	439/76 X
4,545,632	10/1985	Maier et al.	439/271 X
4,603,930	8/1986	Ito	439/76 X

FOREIGN PATENT DOCUMENTS

2355656 5/1974 Fed. Rep. of Germany 439/350
3311476 10/1984 Fed. Rep. of Germany 439/682

Primary Examiner—Susan J. Lucas
Assistant Examiner—J. Sincavage
Attorney, Agent, or Firm—Armstrong, Nikaido, Marmelstein, Kubovcik & Murray

[57] CLAIM

The ornamental design for an electrical connector housing, as shown and described.

DESCRIPTION

FIG. 1 is a top plan view of an electrical connector housing showing our new design; FIG. 2 is a front elevational view thereof; FIG. 3 is a bottom plan view thereof; FIG. 4 is a rear elevational view thereof; FIG. 5 is a left side elevational view thereof, the right side elevational view thereof being a mirror image; FIG. 6 is a cross sectional view thereof taken along line 6-6 of FIG. 2; and FIG. 7 is a perspective view thereof showing the article embodying the claimed design on a reduced scale in a manner of use. The broken line showing is included for the purpose of illustrating environmental elements only and forms no part of the claimed design.

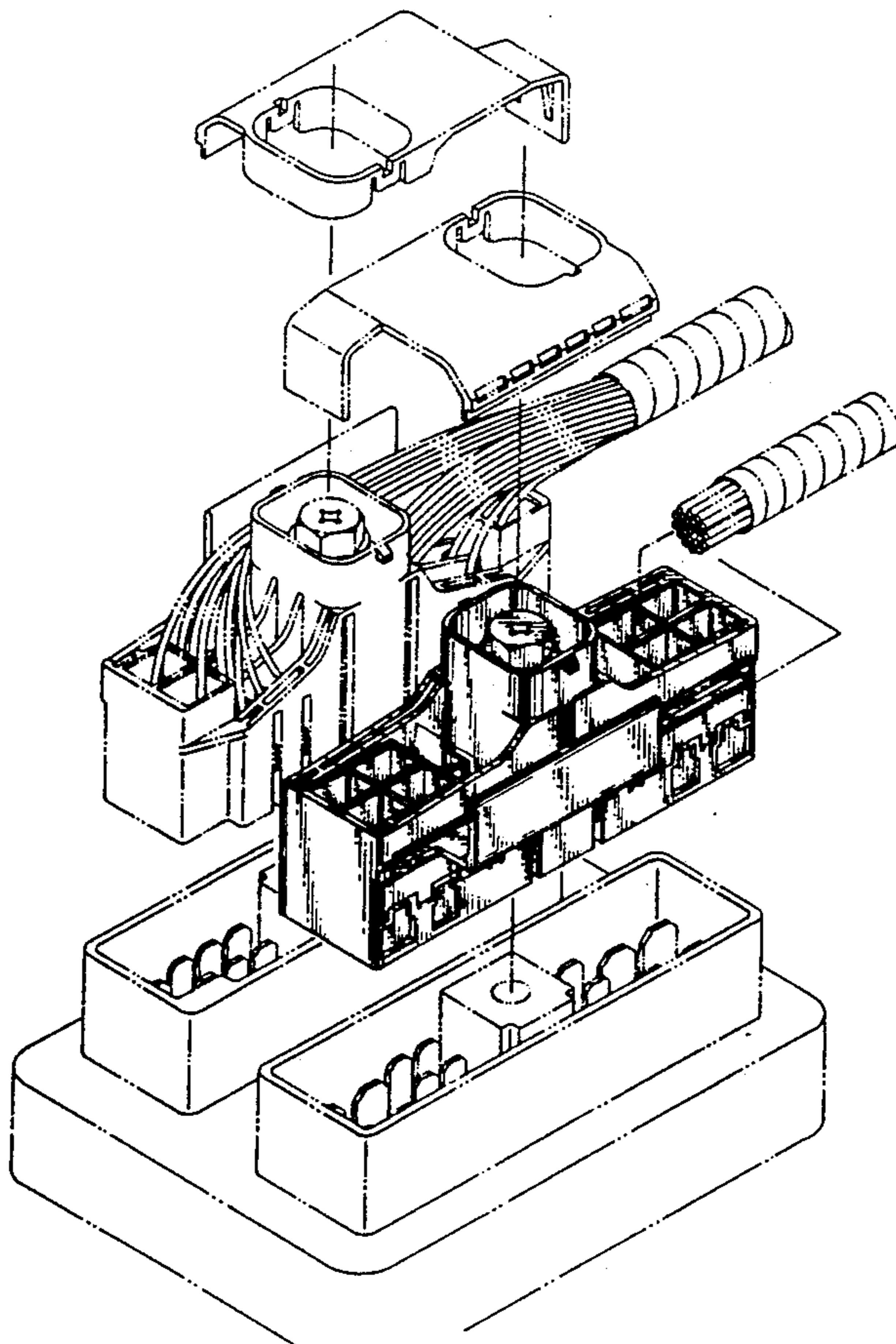


FIG. 1

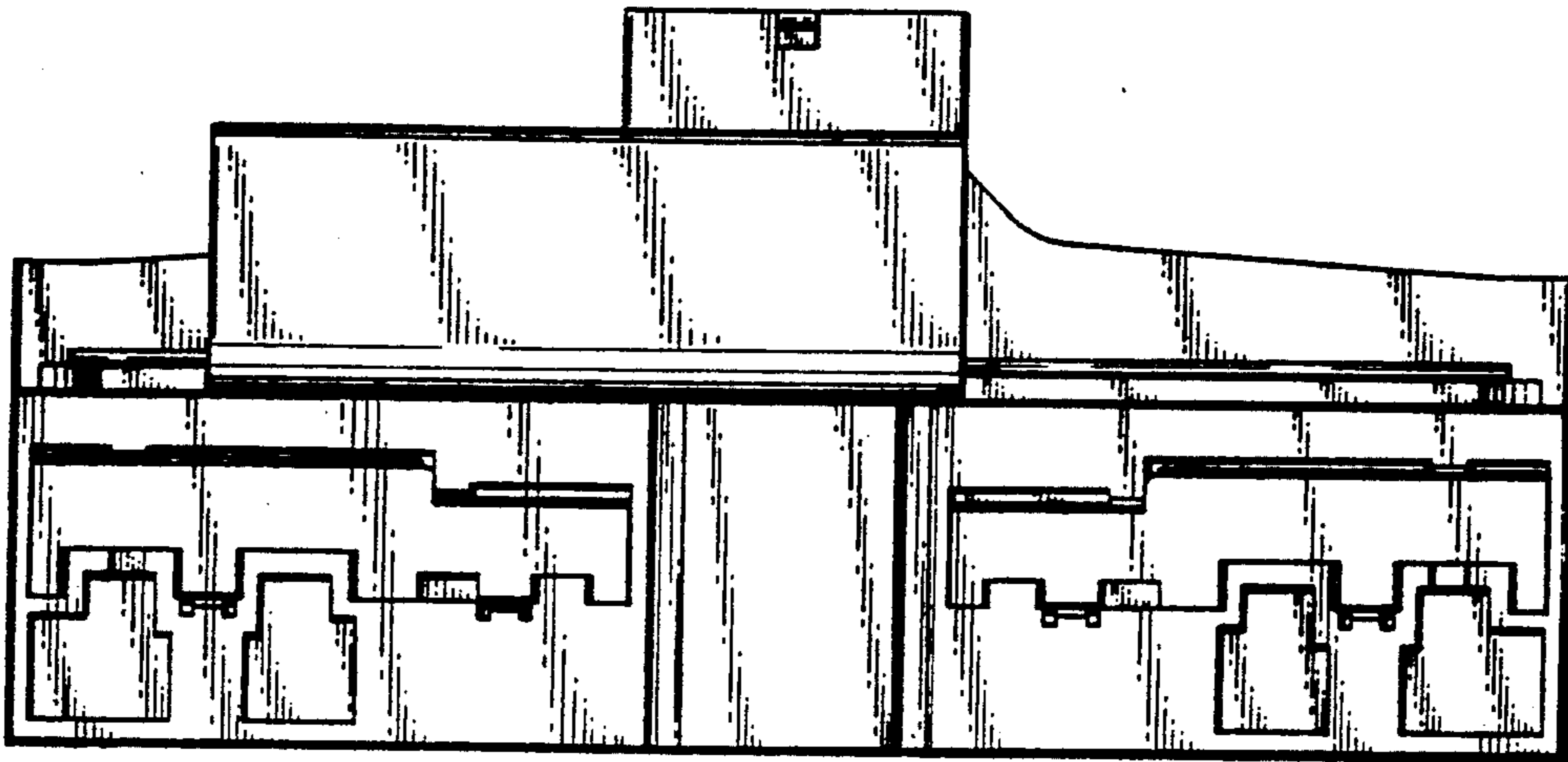


FIG. 2

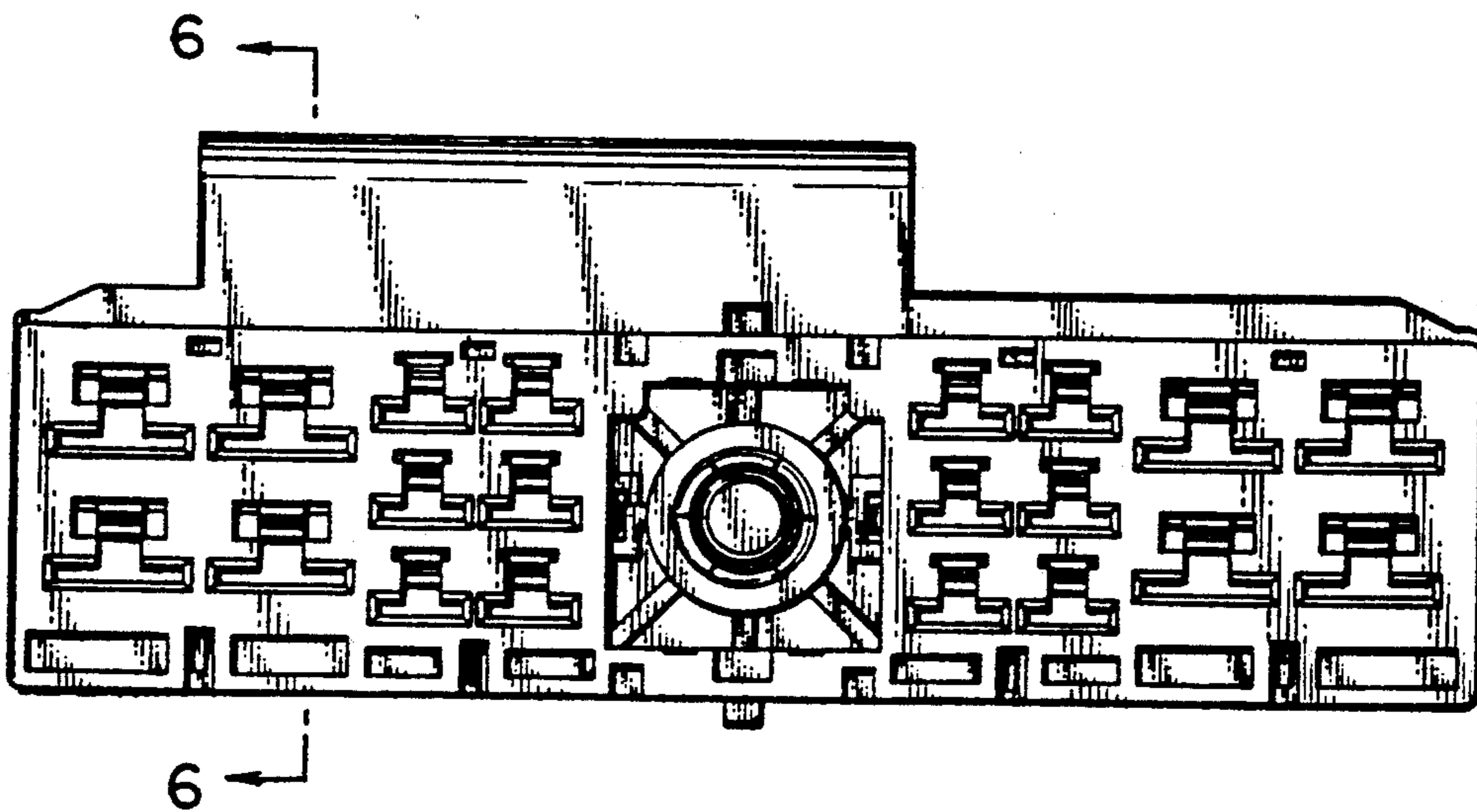


FIG. 3

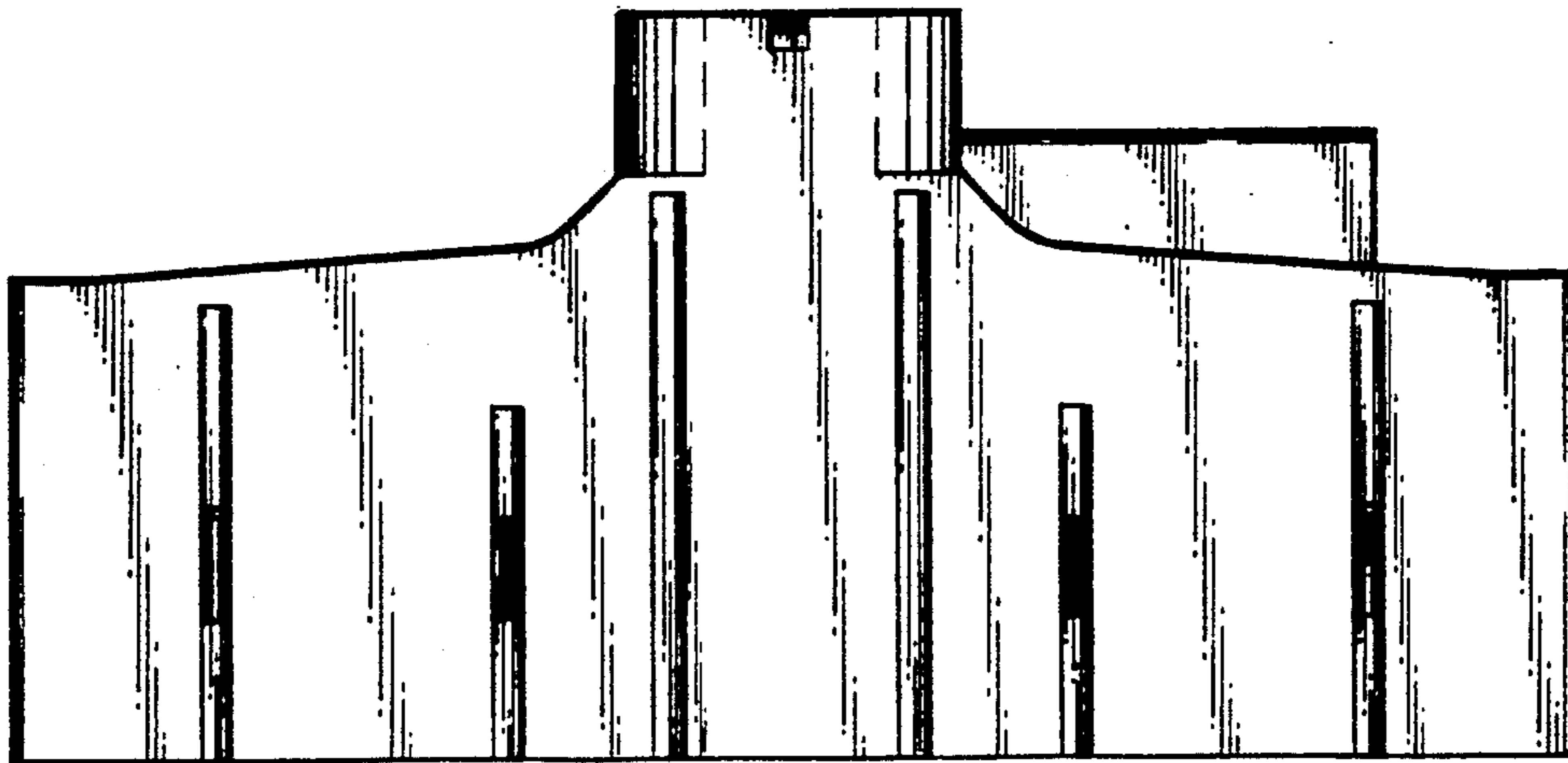


FIG. 4

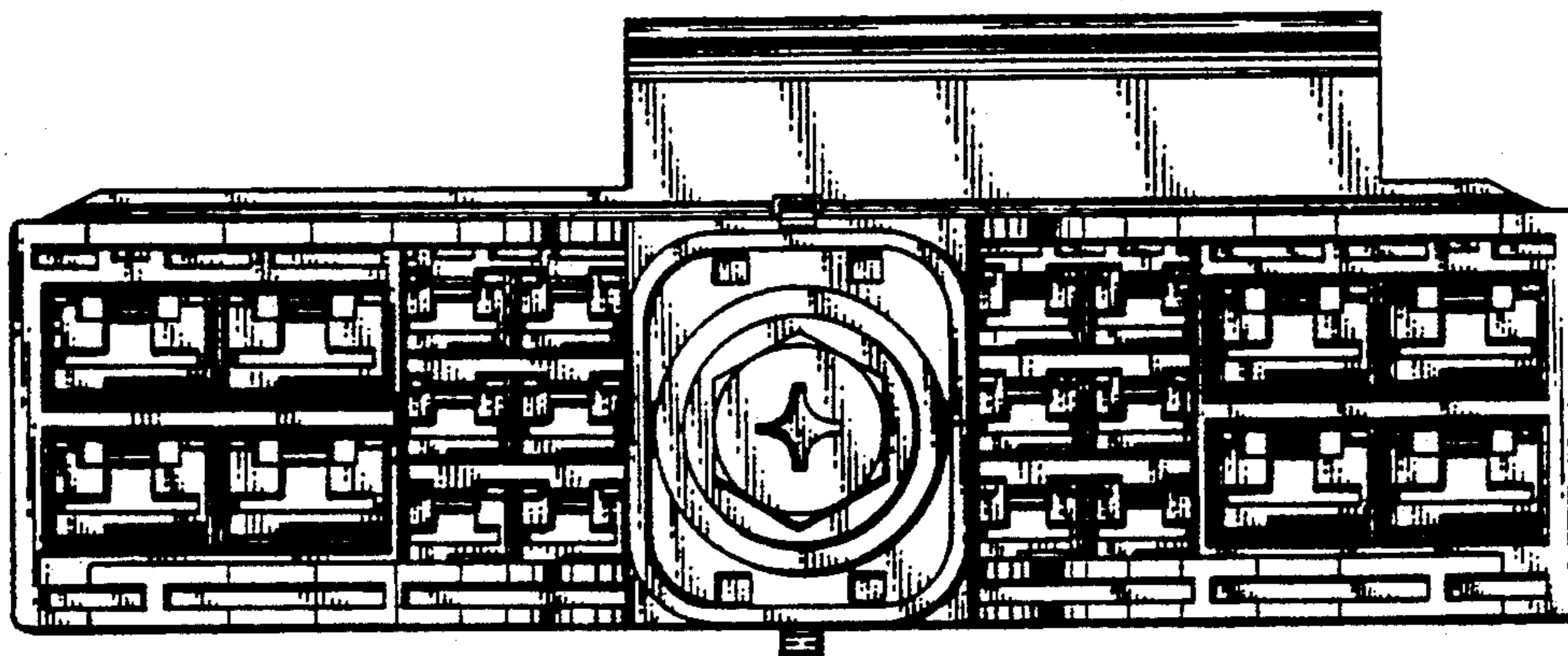


FIG. 6

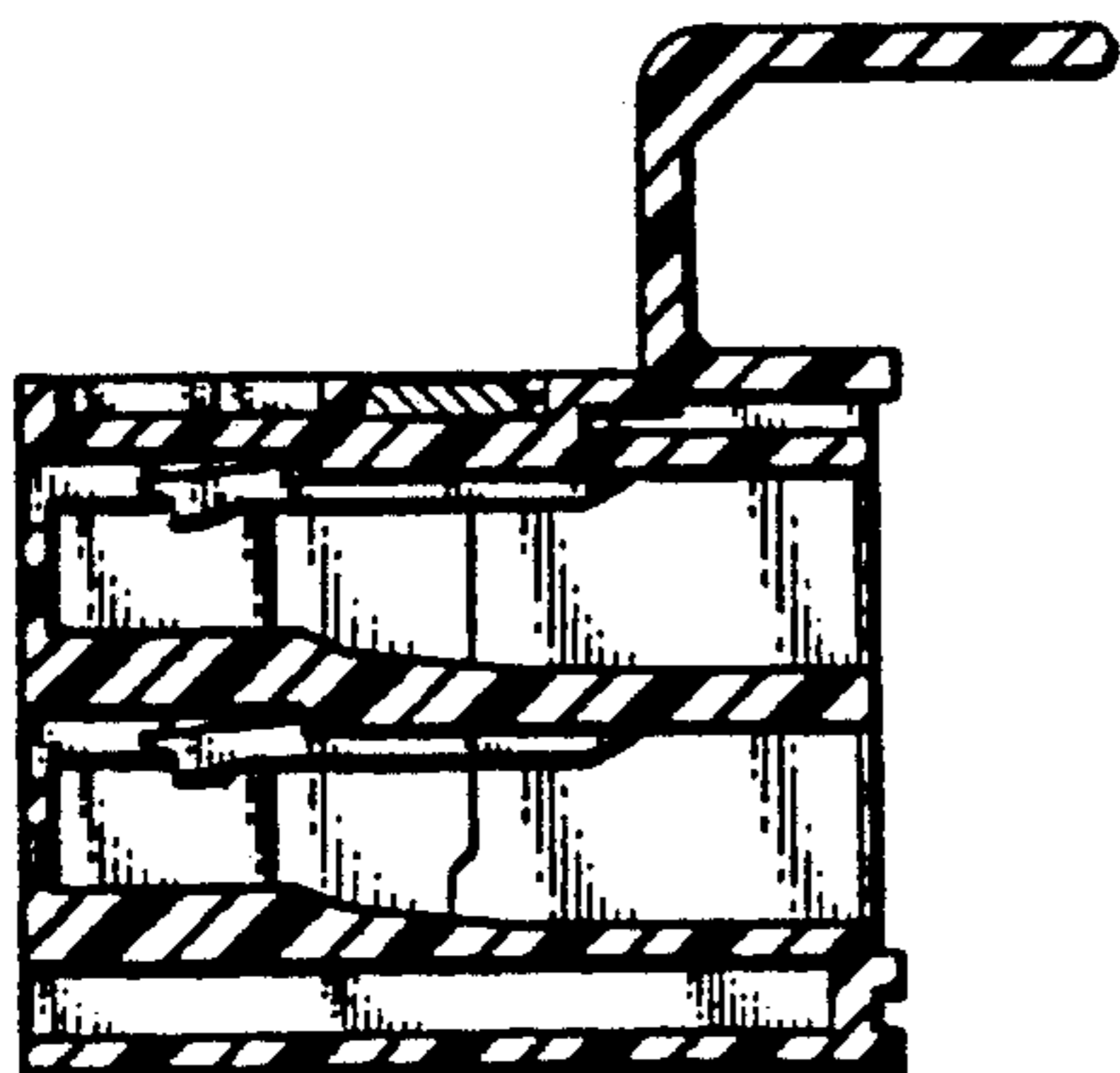


FIG. 5

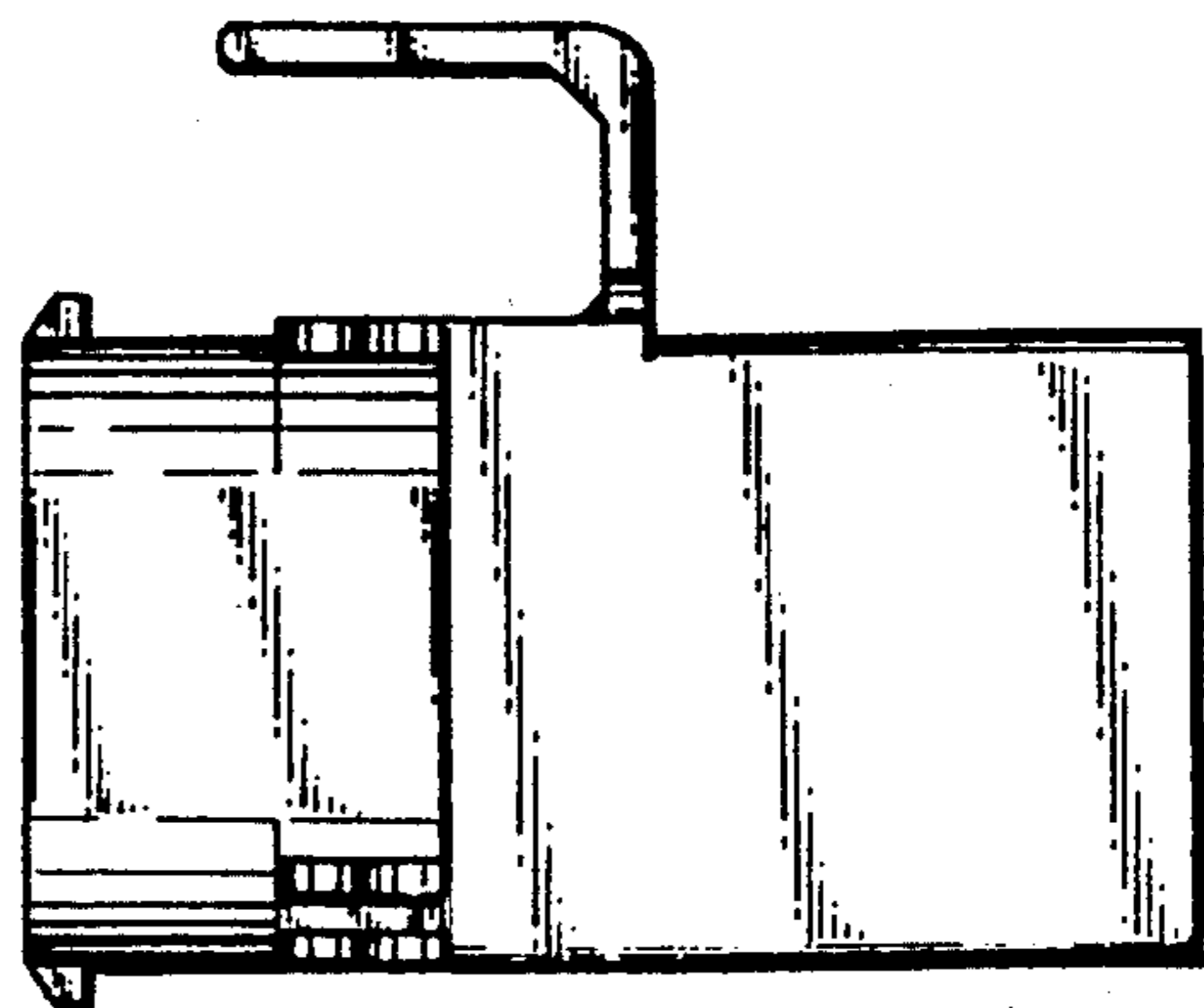
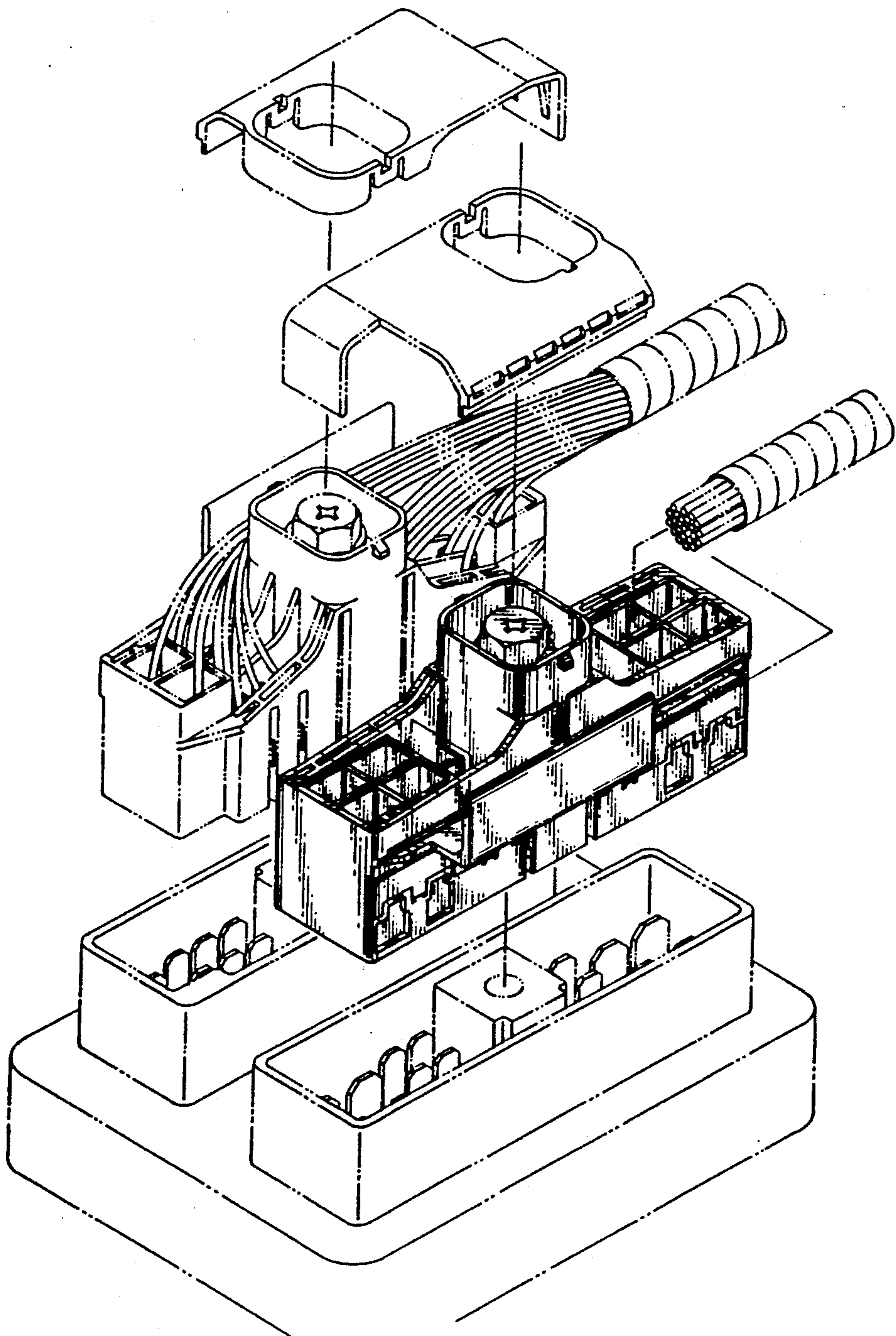


FIG. 7



UNITED STATES PATENT AND TRADEMARK OFFICE
CERTIFICATE OF CORRECTION

PATENT NO. : Des. 323,317
DATED : January 21, 1992
INVENTOR(S) : NAGASAKA et al

It is certified that error appears in the above-identified patent and that said Letters Patent is hereby corrected as shown below:

On the title page, Item [30], should read -- 64-000050--.

Signed and Sealed this
First Day of June, 1993

Attest:



MICHAEL K. KIRK

Attesting Officer

Acting Commissioner of Patents and Trademarks