



US00D323315S

United States Patent [19]

[11] Patent Number: **Des. 323,315**

Haga

[45] Date of Patent: **** Jan. 21, 1992**

- [54] **DUAL MODE AIR VEHICLE**
- [75] Inventor: **Cecil W. Haga, Arlington, Tex.**
- [73] Assignee: **The Ishida Foundation, Nagoya, Japan**
- [**] Term: **14 Years**
- [21] Appl. No.: **357,924**
- [22] Filed: **May 30, 1989**
- [52] U.S. Cl. **D12/331; D12/328**
- [58] Field of Search **D12/319, 328, 331, 337; 244/45 R, 45 A, 55, 13, 91, 199**

Attorney, Agent, or Firm—Sughrue, Mion, Zinn, Macpeak & Seas

[57] CLAIM

The ornamental design for a dual mode air vehicle, as shown and described.

DESCRIPTION

FIG. 1 is a front, top, and right side perspective view of a dual mode air vehicle showing my new design; FIG. 2 is a front elevational view thereof; FIG. 3 is a rear elevational view thereof; FIG. 4 is a top plan view thereof; FIG. 5 is a bottom plan view thereof; FIG. 6 is a right side elevational view thereof; FIG. 7 is a left side elevational view thereof; and FIG. 8 is a front, top, and right side perspective view with the engines rotated ninety degrees for vertical flight.

- [56] **References Cited**
 - U.S. PATENT DOCUMENTS**
 - D. 311,719 10/1990 Haga D12/328
- Primary Examiner—Kay H. Chin*

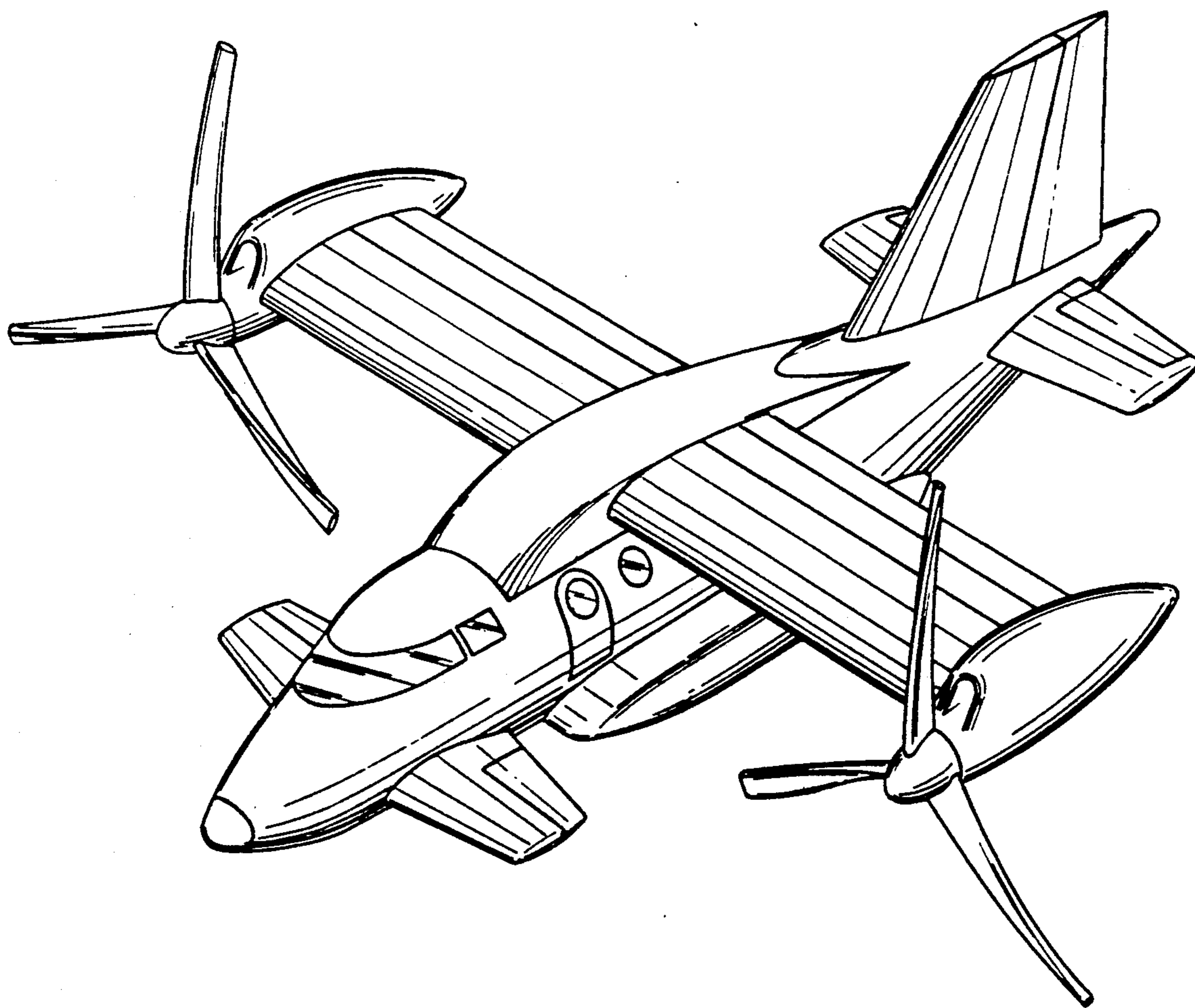


FIG. 1

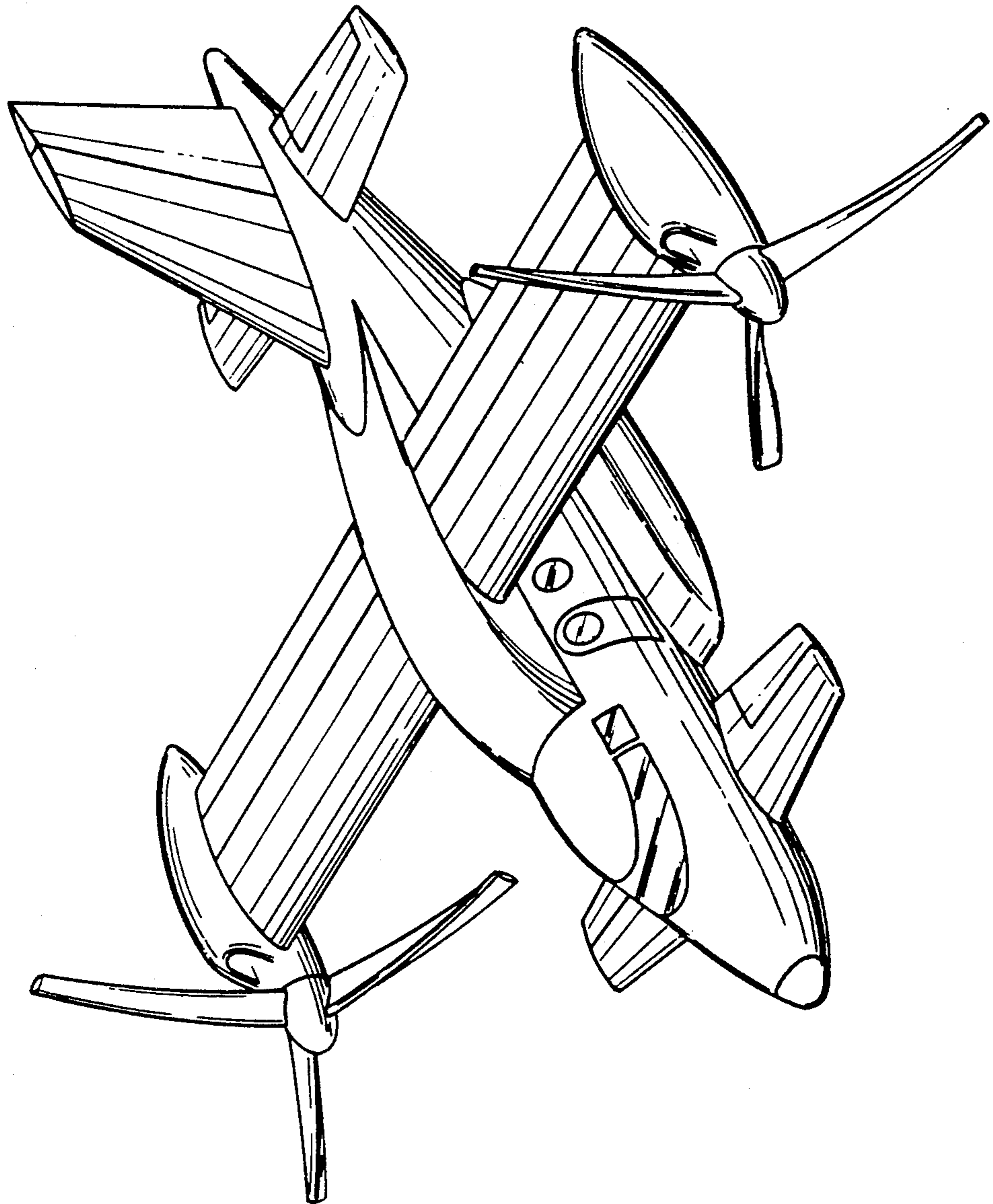


FIG. 2

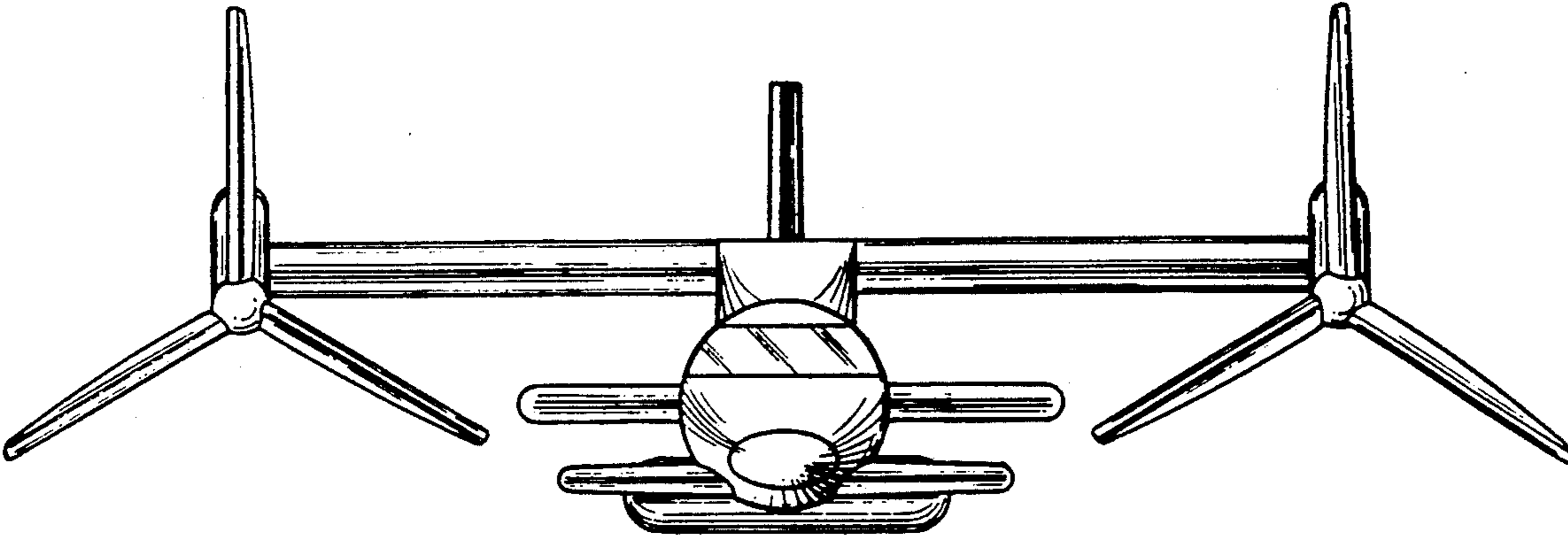


FIG. 3

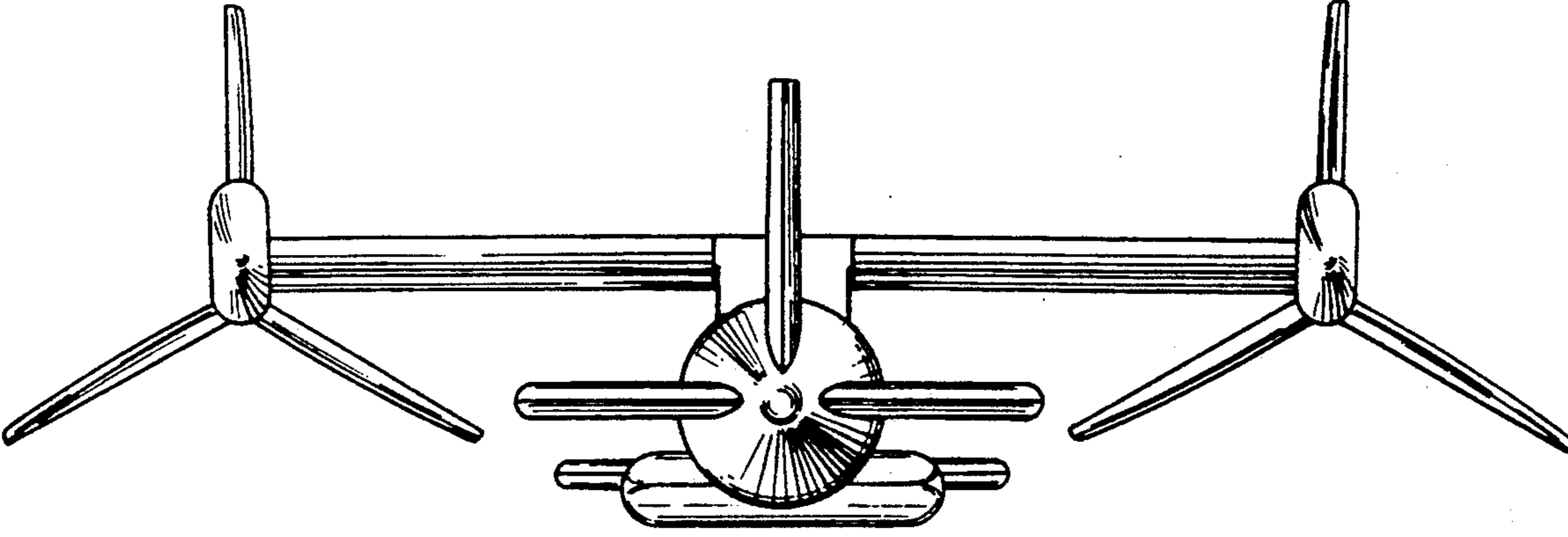


FIG. 4

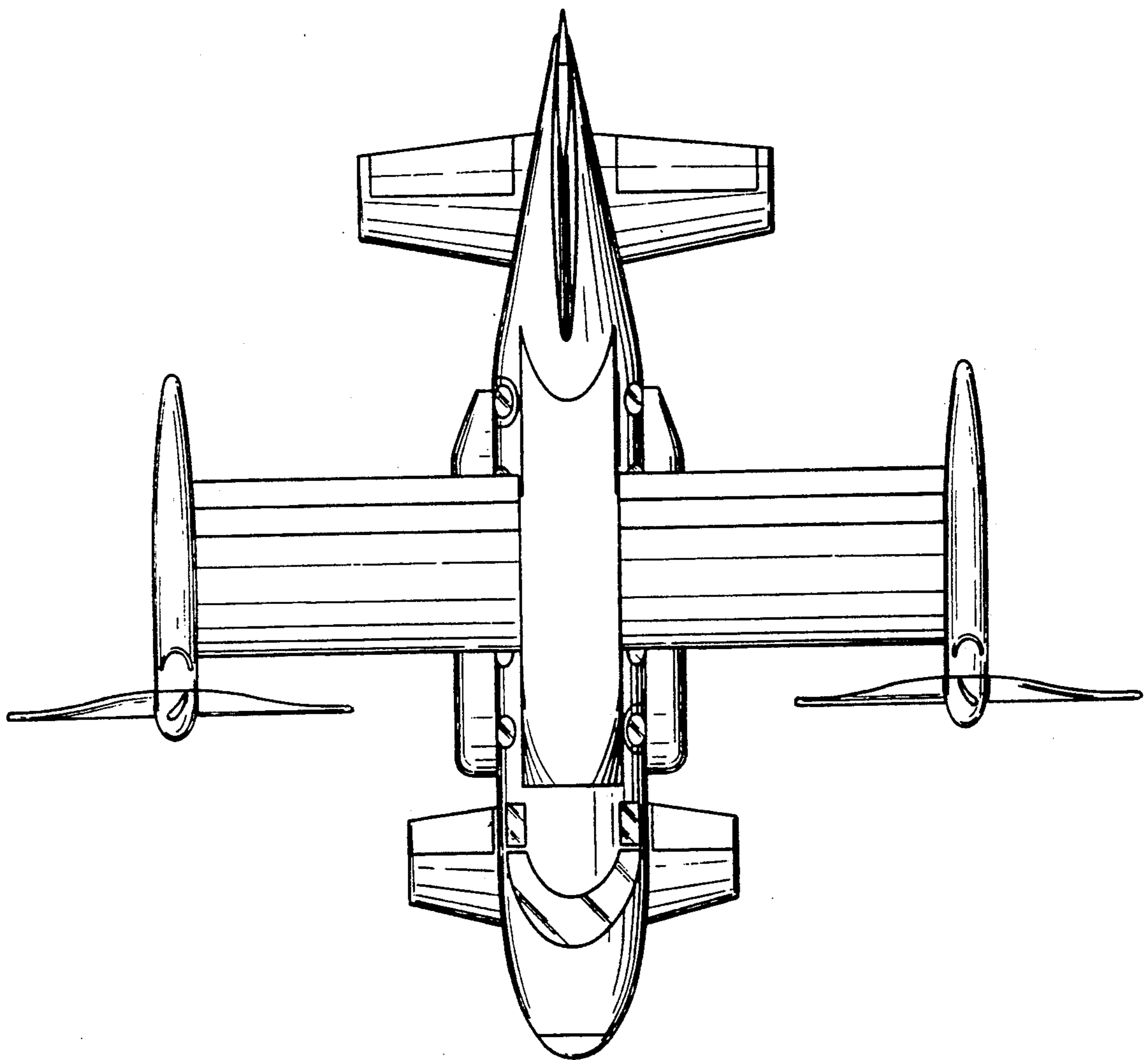


FIG. 5

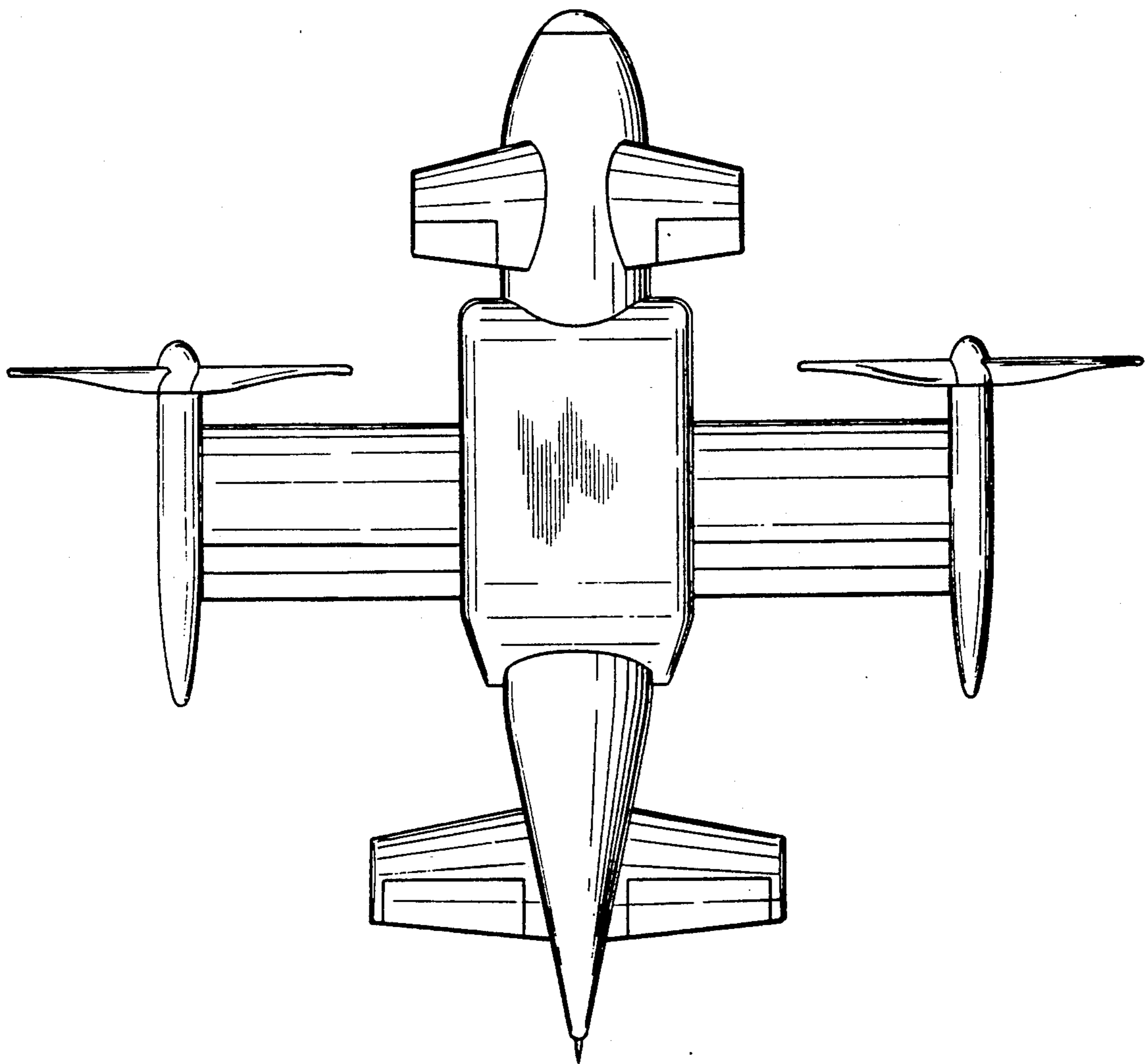


FIG. 6

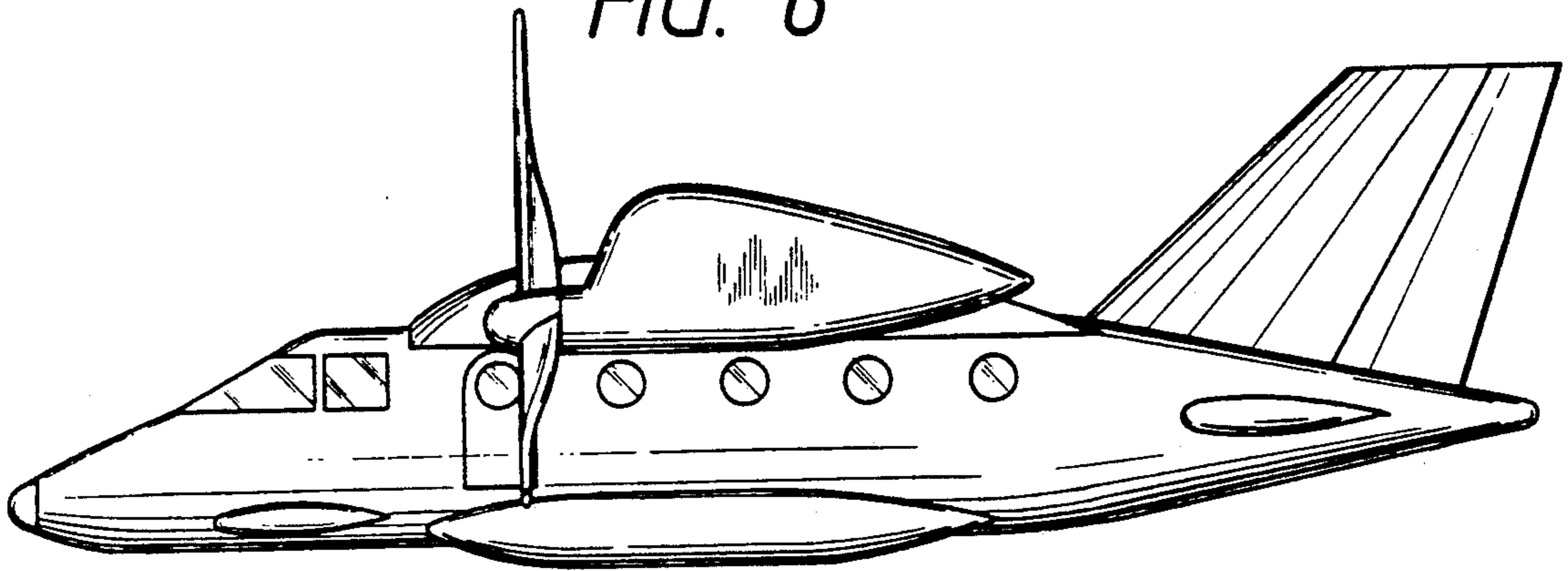


FIG. 7

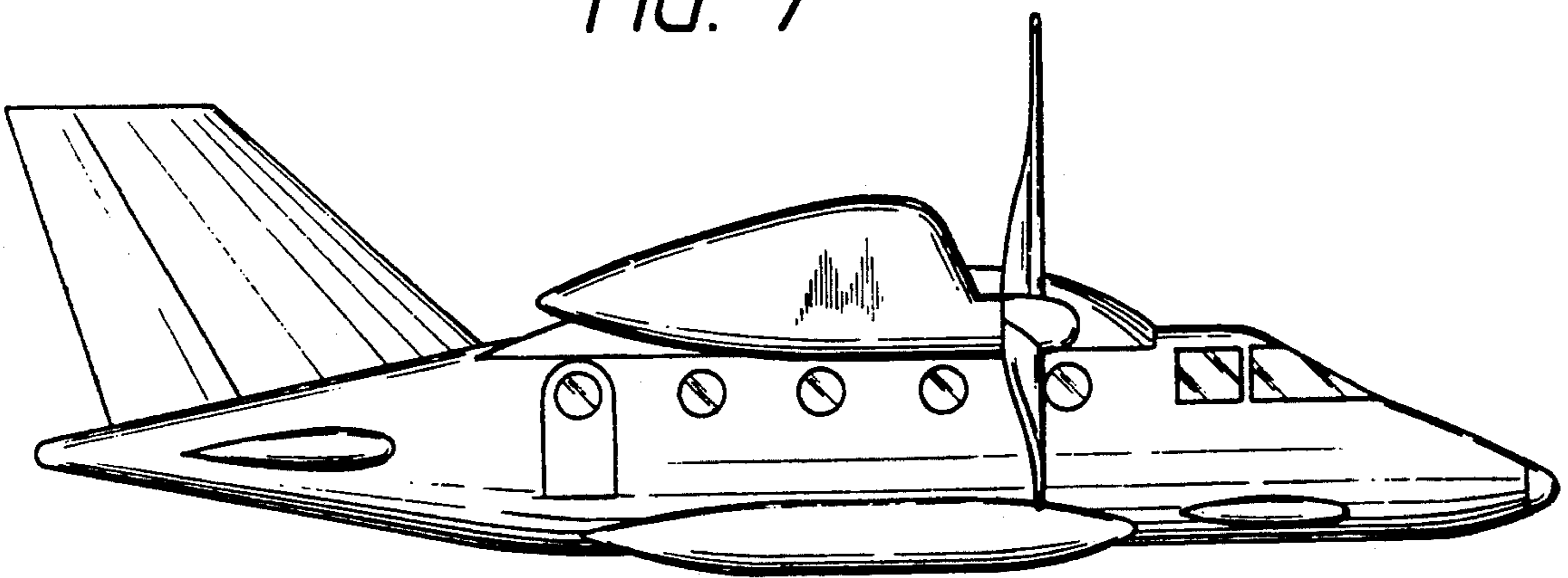


FIG. 8

