



US00D323313S

United States Patent [19]

[11] Patent Number: **Des. 323,313**

Li

[45] Date of Patent: **** Jan. 21, 1992**

[54] **CENTRAL CONSOLE BOX FOR VEHICLE**

[76] Inventor: **Chuan-Fu Li**, No. 162, Kuang Ping Street, Ping Cheng Hsiang, Taoyuan Hsien, Taiwan, Taiwan

[**] Term: **14 Years**

[21] Appl. No.: **437,503**

[22] Filed: **Nov. 16, 1989**

[52] U.S. Cl. **D12/155**

[58] Field of Search **D12/155; D3/40; 180/90; 296/70, 37.16, 37.8; 108/44; 224/273, 42.42, 42.11**

[56] **References Cited**

U.S. PATENT DOCUMENTS

4,453,759 6/1984 Kathiria 108/44

FOREIGN PATENT DOCUMENTS

0160750 6/1989 Japan 224/42.42

OTHER PUBLICATIONS

American International Sound Products Inc. Flyer © 1975, Datsun B-210 Custom Console.

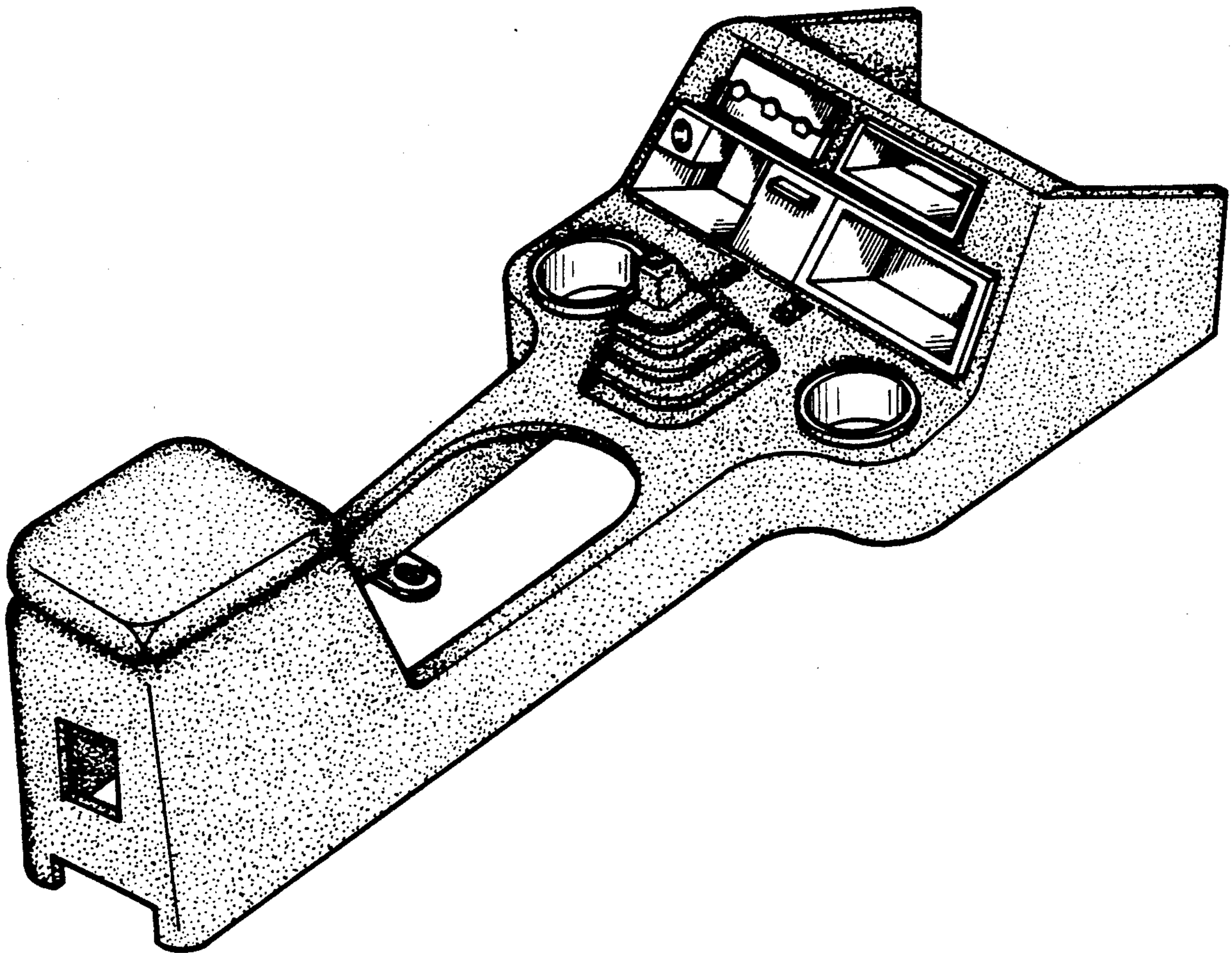
Primary Examiner—James M. Gandy
Attorney, Agent, or Firm—Bacon & Thomas

[57] **CLAIM**

The ornamental design for a central console box for vehicle, as shown.

DESCRIPTION

FIG. 1 is a perspective view of a central console box for vehicle showing my design;
FIG. 2 is a front elevational view thereof;
FIG. 3 is a rear elevational view thereof;
FIG. 4 is a top plan view thereof;
FIG. 5 is a bottom plan view thereof;
FIG. 6 is a left side elevational view thereof; and
FIG. 7 is a right side elevational view thereof.



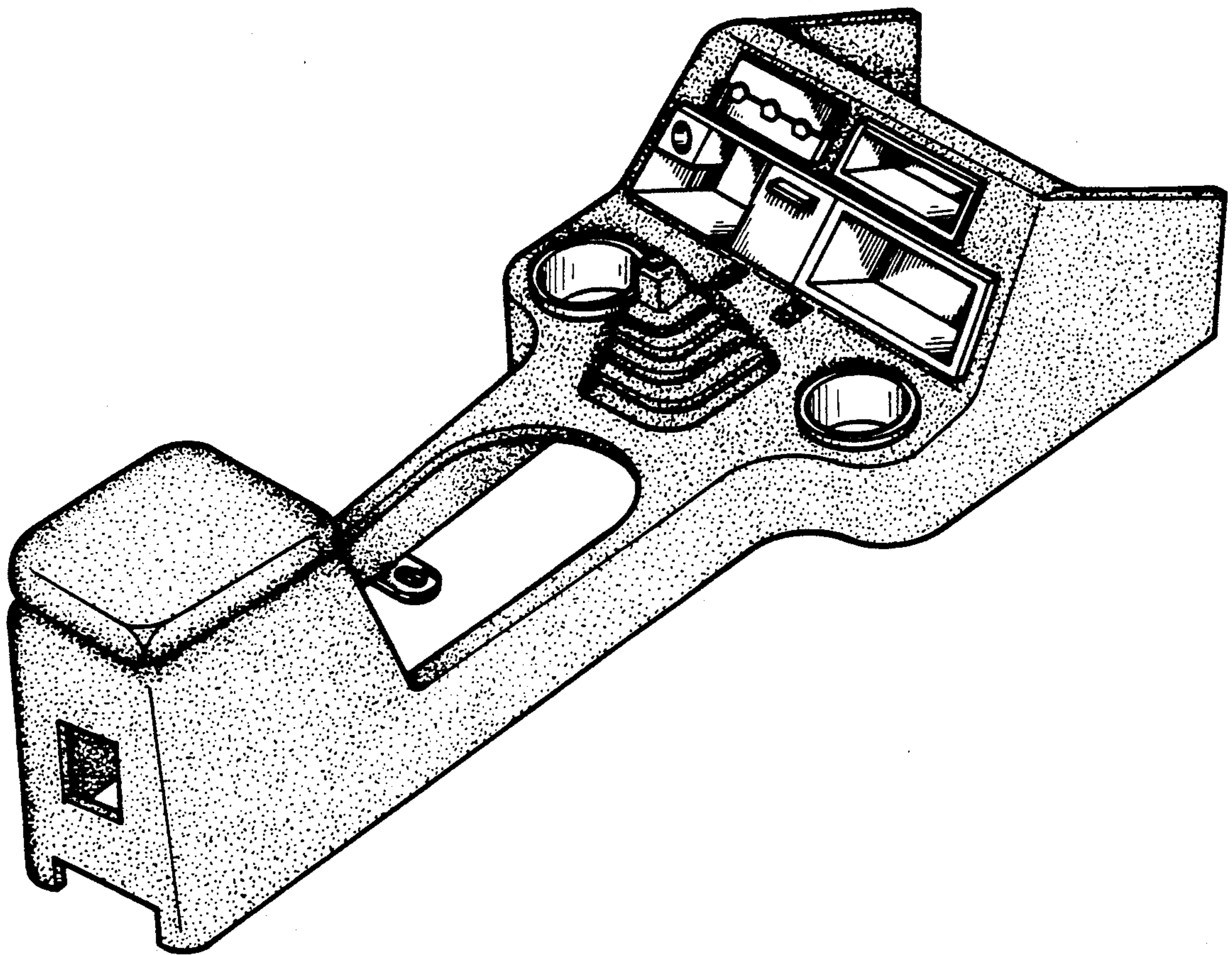


FIG. 1

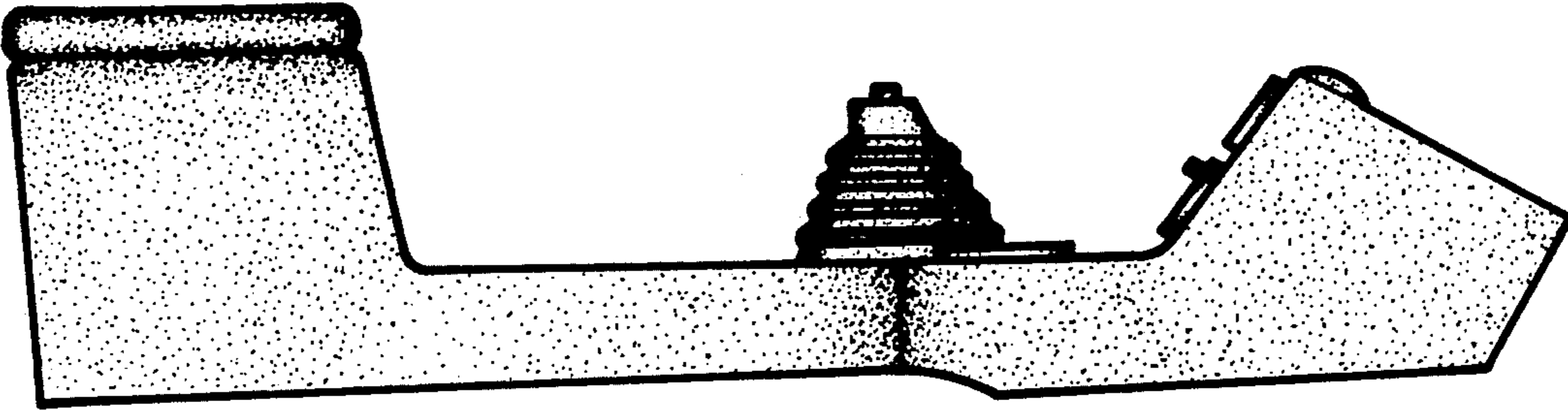


FIG. 2

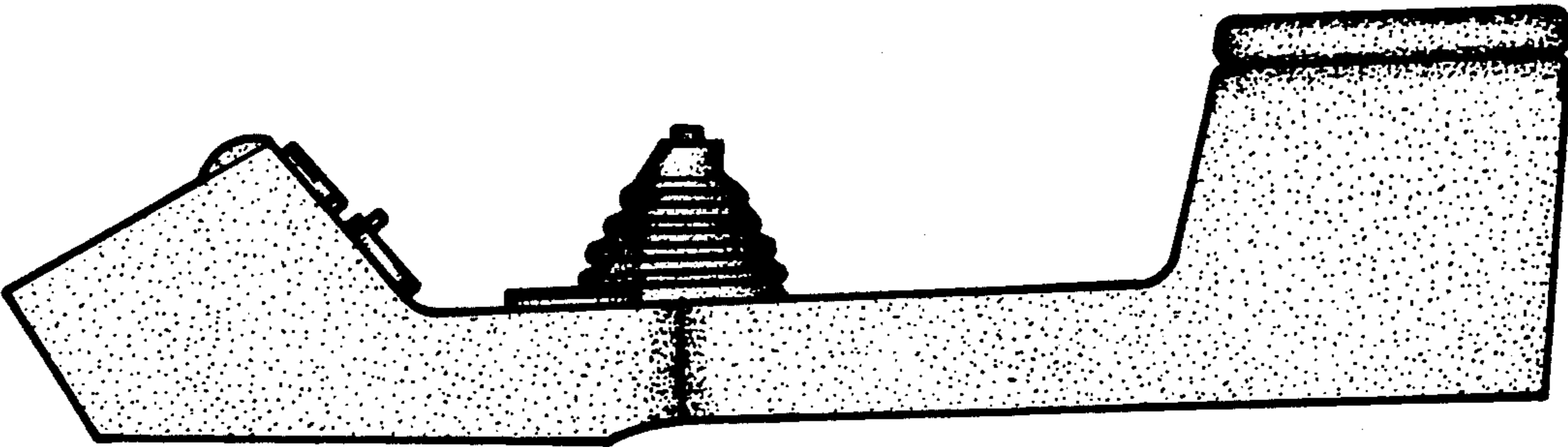


FIG. 3

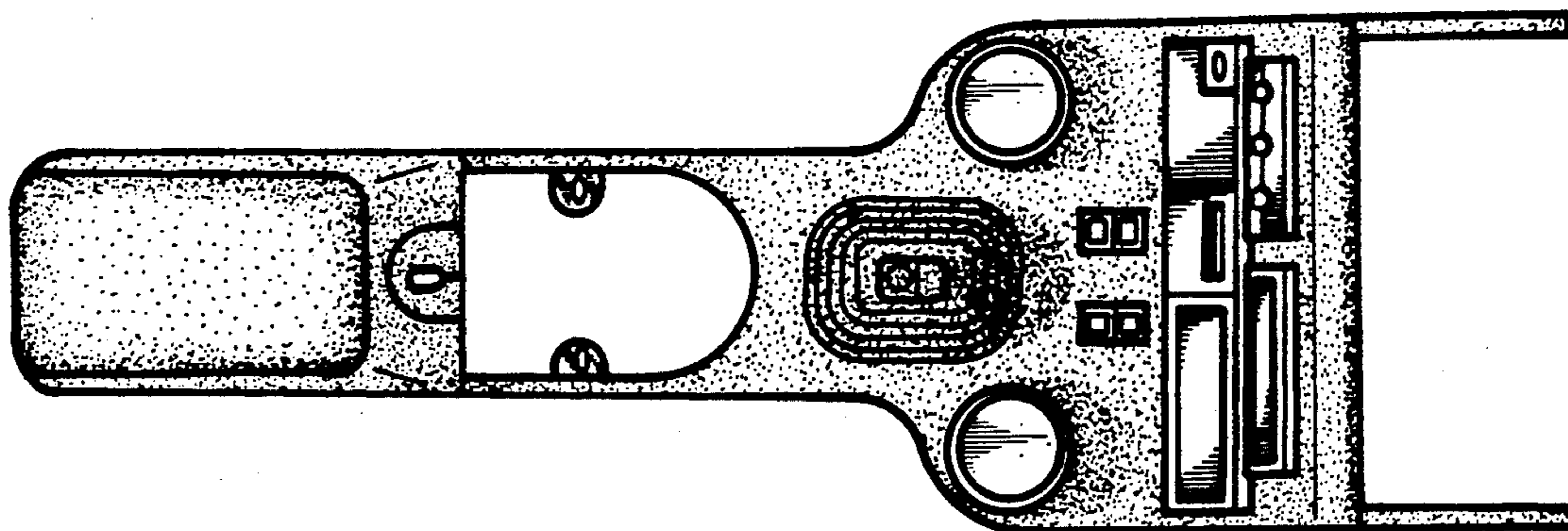


FIG. 4

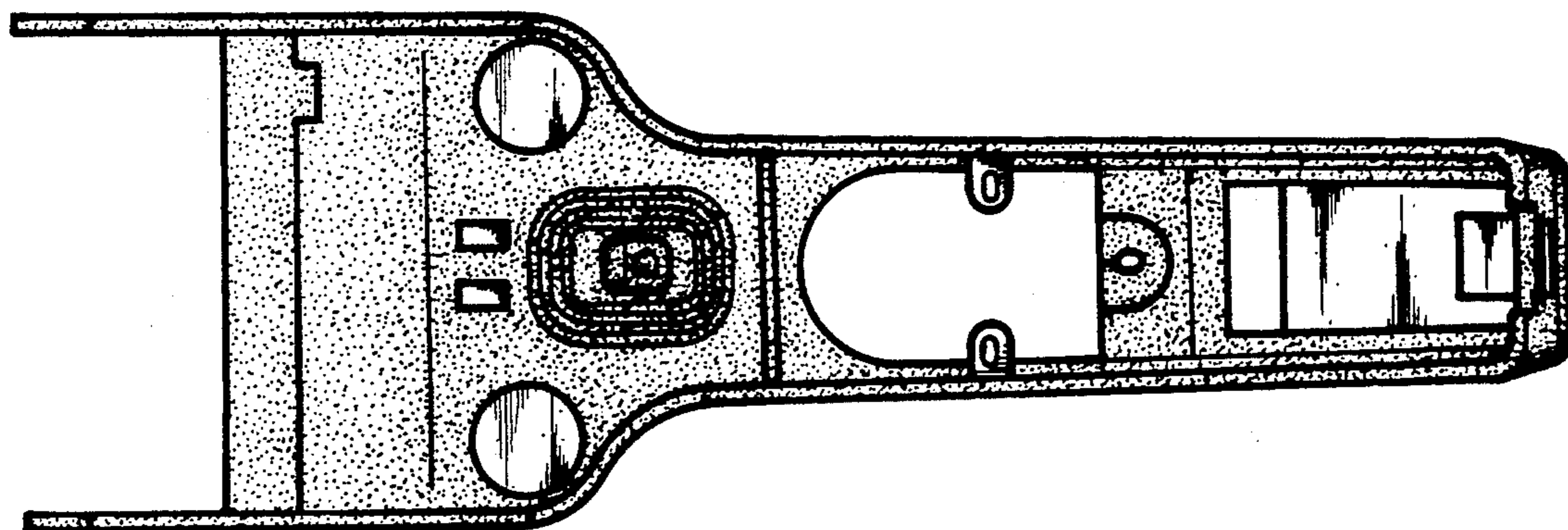


FIG. 5

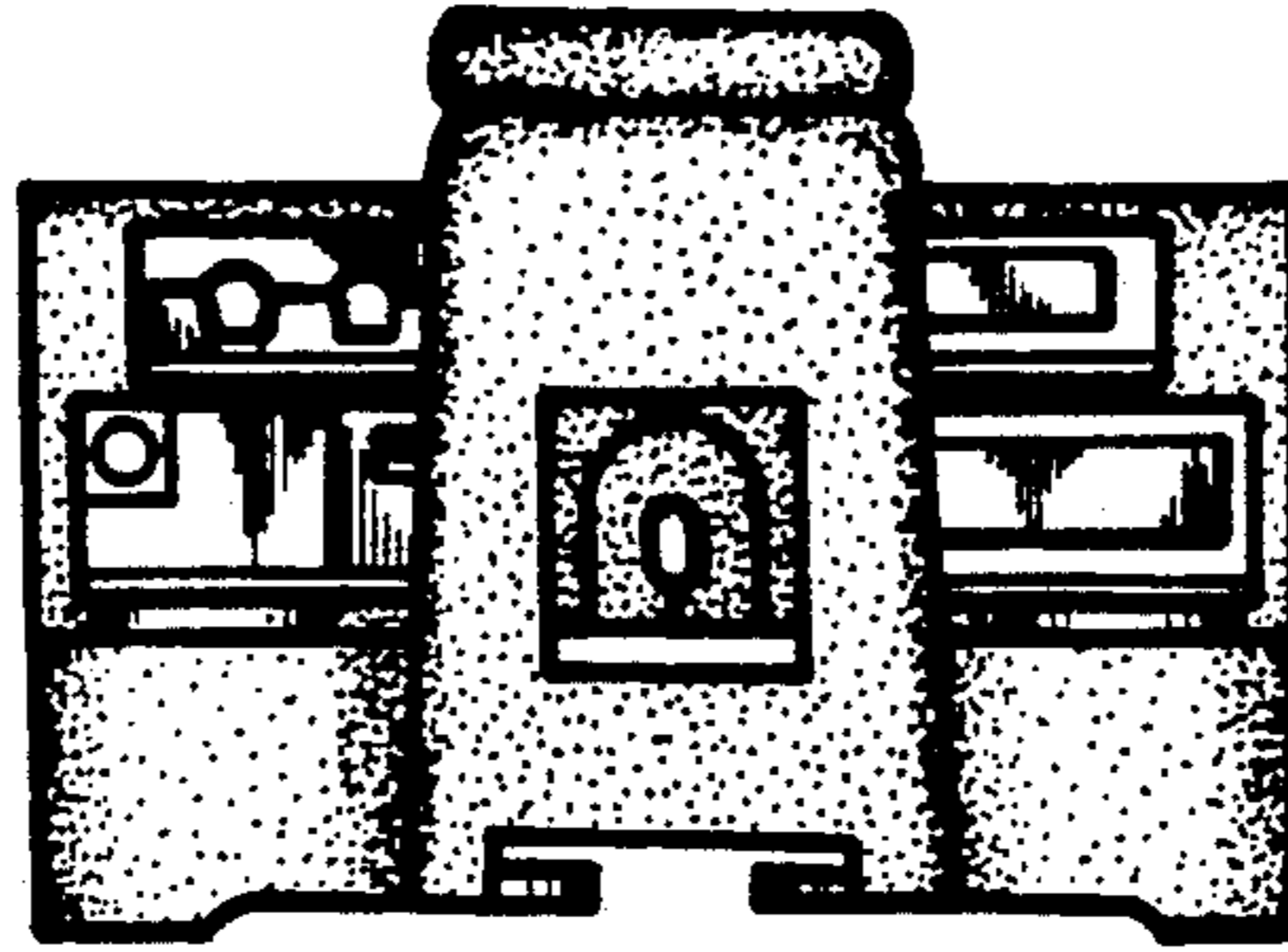


FIG. 6

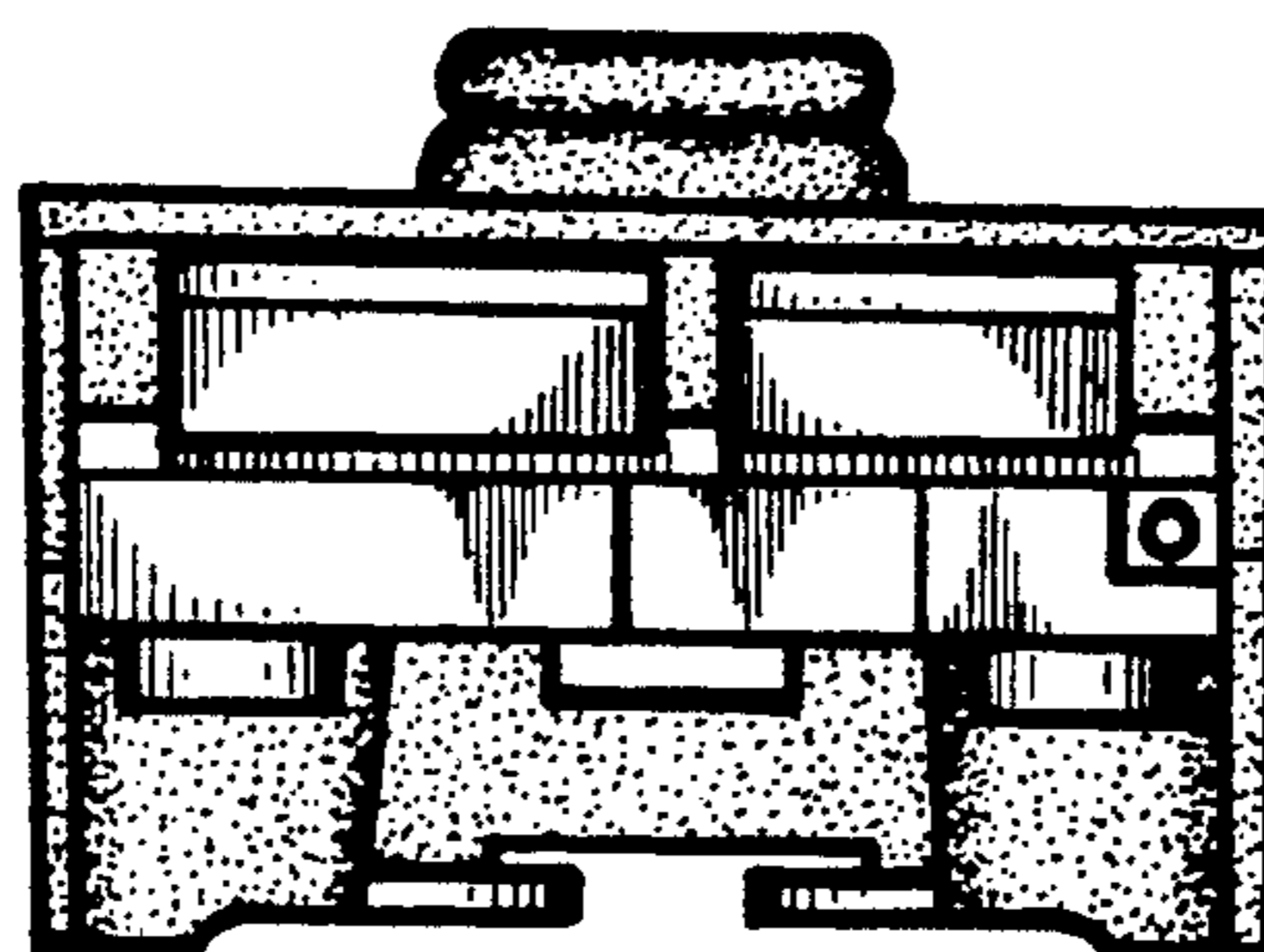


FIG. 7