



US00D323309S

United States Patent [19]

[11] Patent Number: **Des. 323,309**

Perry

[45] Date of Patent: **** Jan. 21, 1992**

[54] **BICYCLE FREEWHEEL GEAR COVER**

0074518 1/1945 Fed. Rep. of Germany 74/558.5
0024258 3/1981 Japan 474/146

[76] Inventor: **Paul L. Perry**, 1611 Cuevas Cir.,
Salinas, Calif. 93906

OTHER PUBLICATIONS

[**] Term: **14 Years**

American Bicyclist & Motorcyclist, Jul. 1988, p. 20, the
Clear Gear Cover shown pointed out at the bottom of
the page.

[21] Appl. No.: **311,891**

Primary Examiner—James M. Gandy
Assistant Examiner—Melody Brown
Attorney, Agent, or Firm—Richard C. Litman

[22] Filed: **Feb. 17, 1989**

[52] U.S. Cl. **D12/127**

[58] Field of Search **D12/127; 474/145-147,**
474/144, 160; 74/609; 301/37 R, 37 SS, 37 P;
280/304.3, 847, 850, 851, 852, 160.1, 152.05,
152.1, 152.2, 152.3; 180/84

[57] CLAIM

The ornamental design for a bicycle freewheel gear
cover, as shown and described.

[56] References Cited

U.S. PATENT DOCUMENTS

600,911	3/1898	Frost	474/147
632,430	9/1899	Siever	74/609
1,136,411	4/1915	Davis	74/609
1,325,206	12/1919	Rayson	74/609
4,487,424	12/1984	Ellis	474/144
4,632,416	12/1986	Zelenetz	280/304.3

FOREIGN PATENT DOCUMENTS

0000195	9/1895	Denmark	474/146
---------	--------	---------	---------

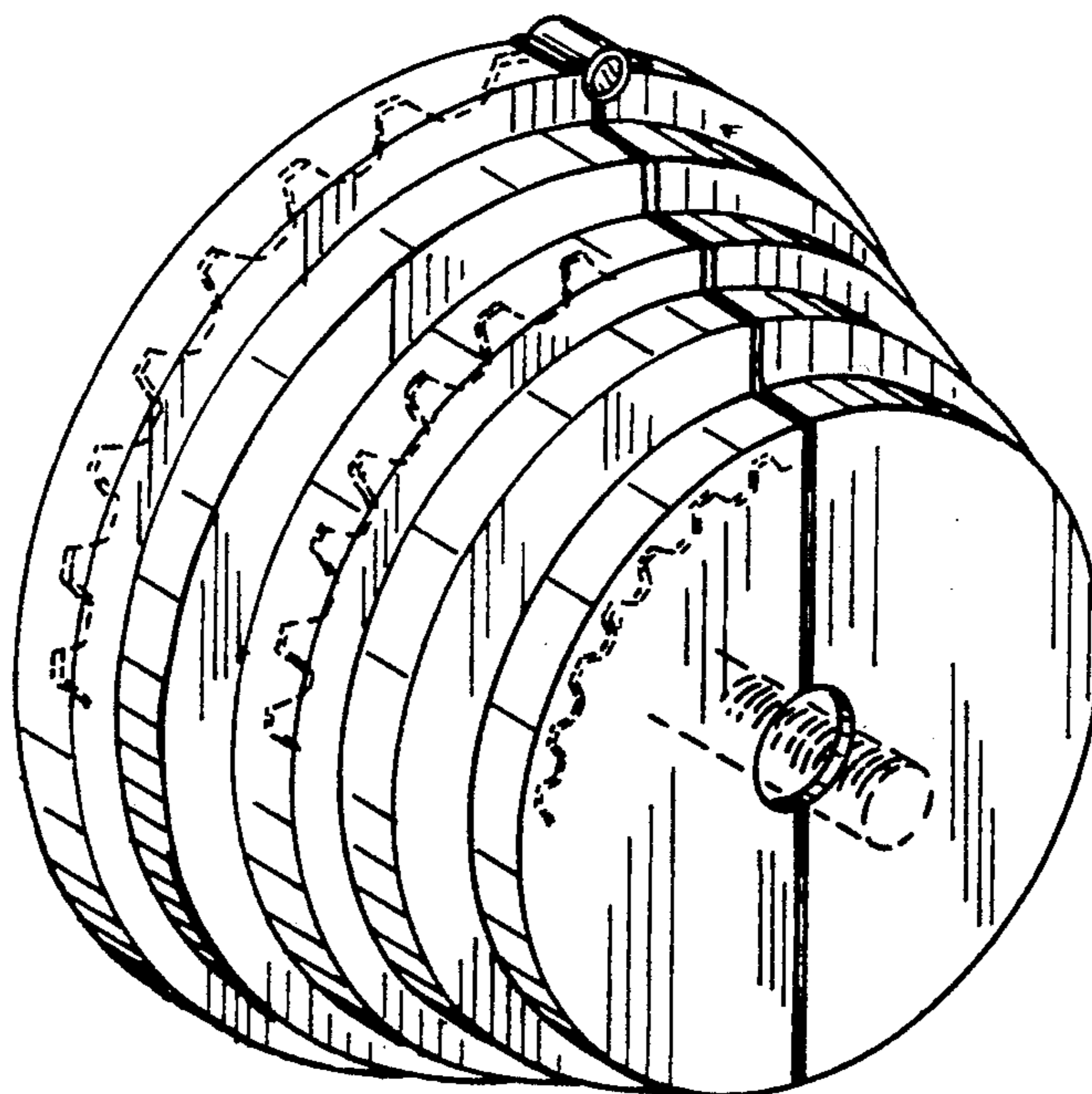
DESCRIPTION

FIG. 1 is a top, side and front perspective view of a
bicycle freewheel cover showing my new design, it
being understood that the broken lines are for illustra-
tive purposes only and form no part of the claimed
design;

FIG. 2 is a side elevational view thereof, the opposite
side being a mirror image of that shown;

FIG. 3 is a bottom plan view thereof in open condition;
and

FIG. 4 is a top plan view thereof in closed condition.



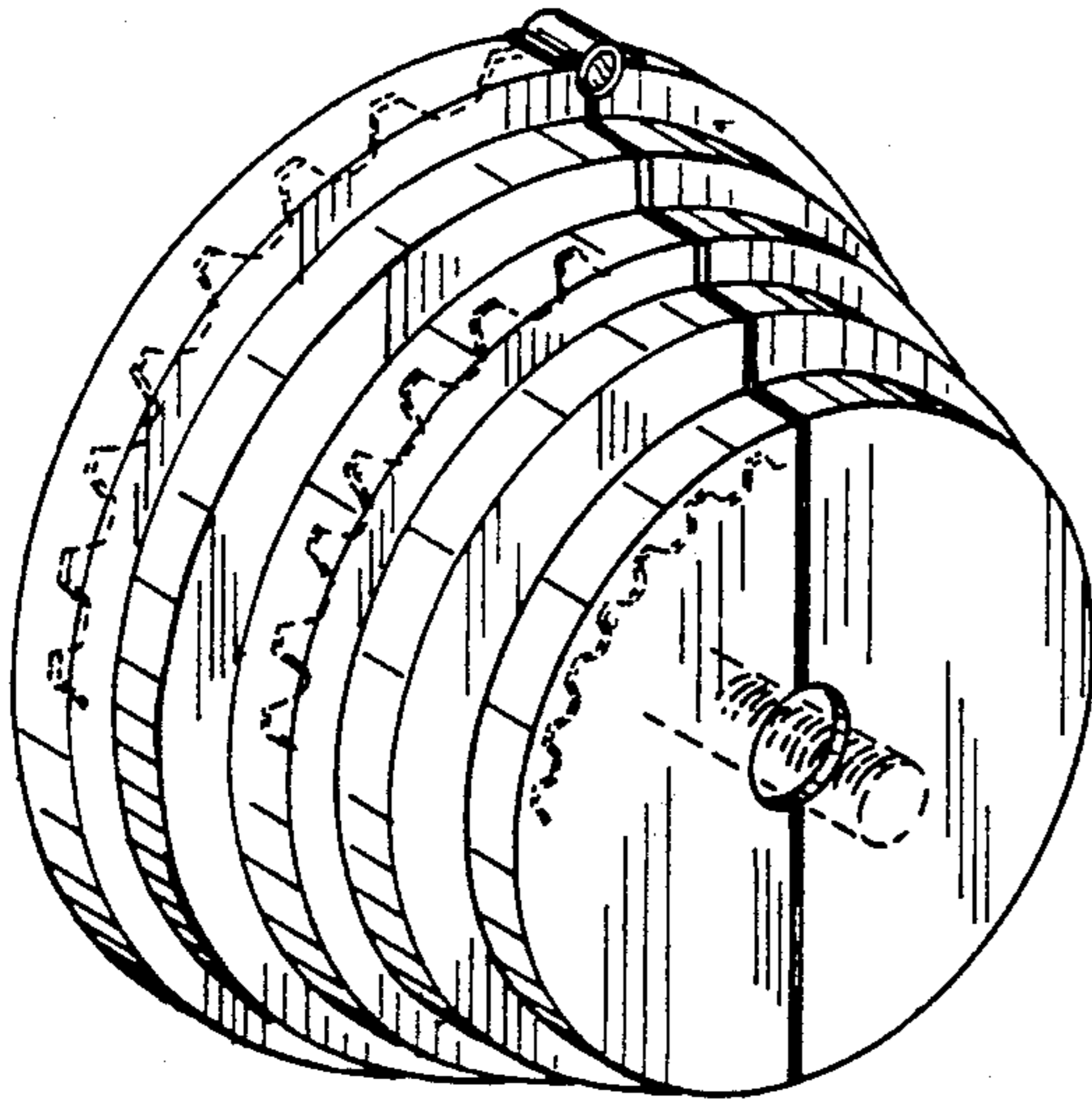


Fig 1

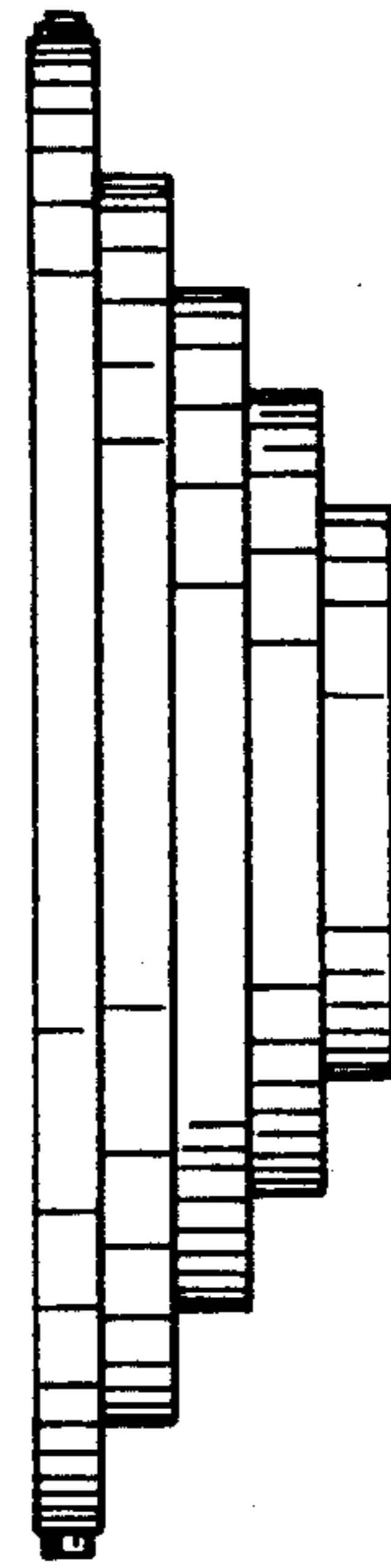


Fig 2

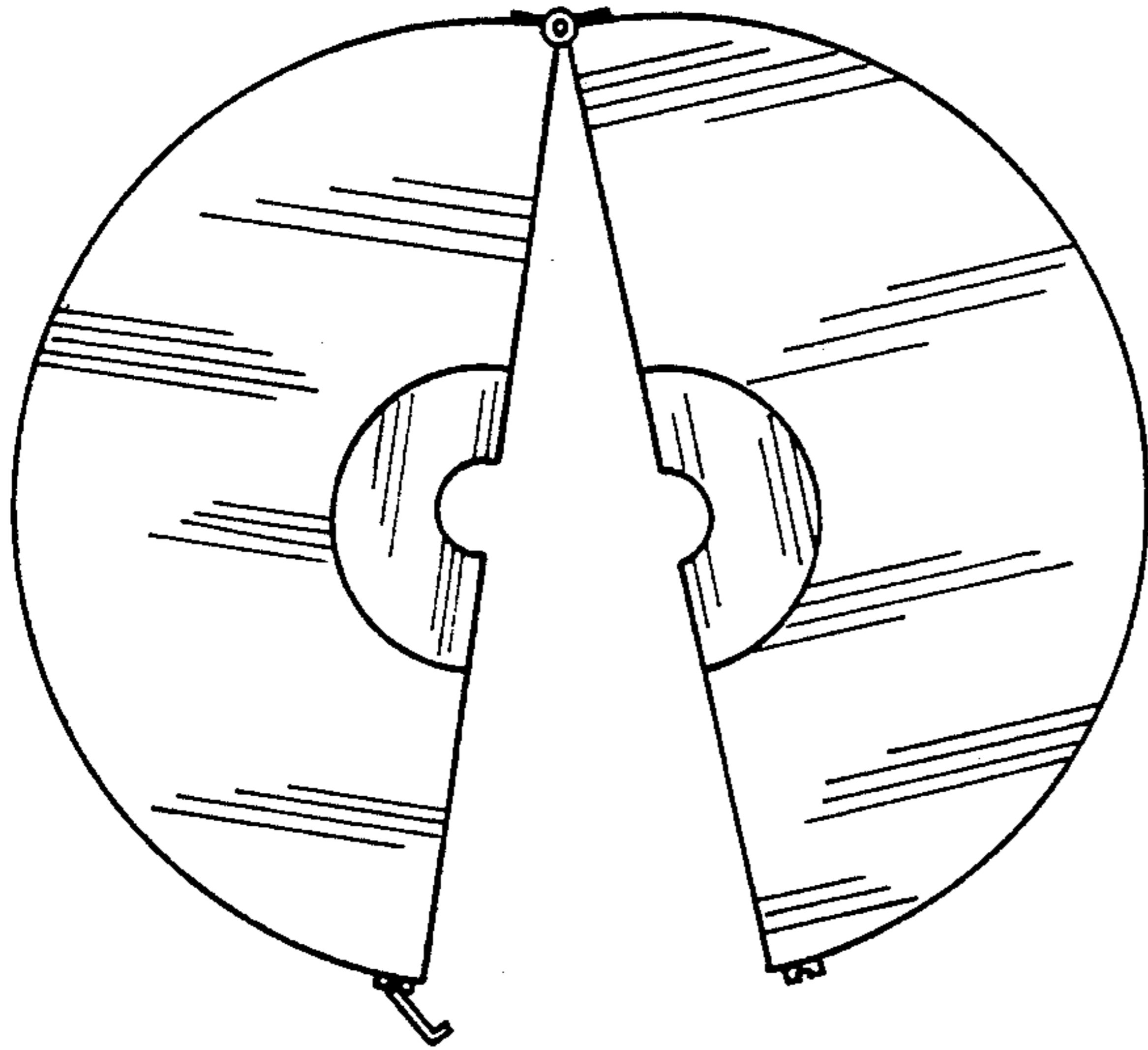


Fig 3

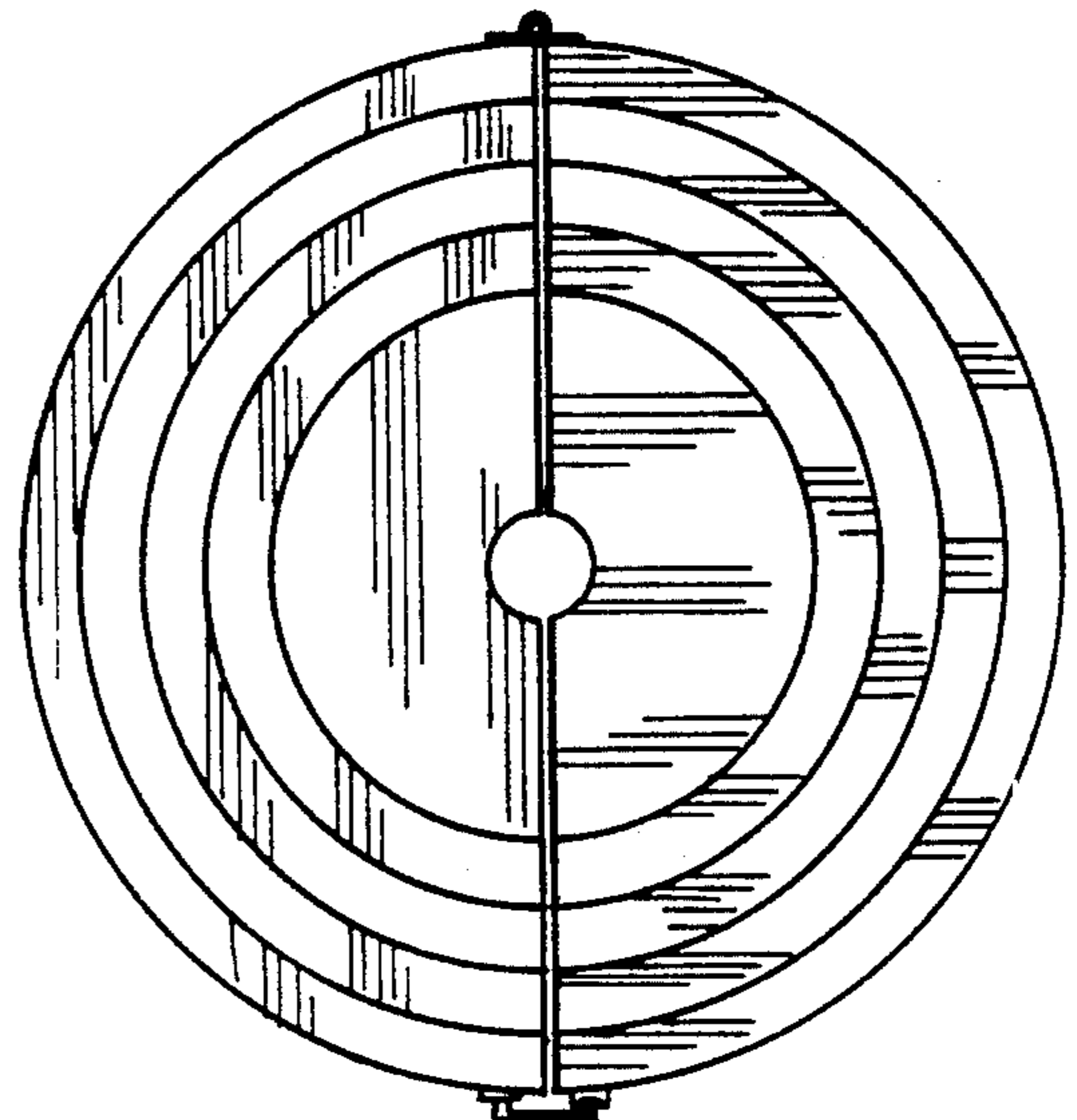


Fig 4