



US00D323304S

United States Patent [19]

[11] Patent Number: **Des. 323,304**

Morgan

[45] Date of Patent: **** Jan. 21, 1992**

[54] **ALL TERRAIN VEHICLE FLOTATION UNIT**

Primary Examiner—James M. Gandy
Assistant Examiner—Melody Brown
Attorney, Agent, or Firm—Leon Gilden

[76] Inventor: **Timothy L. Morgan, Rte. 1, Box 223, Mt. Auburn, Ill. 62547**

[57] **CLAIM**

[**] Term: **14 Years**

The ornamental design for an all terrain vehicle flotation unit, as shown and described.

[21] Appl. No.: **296,984**

DESCRIPTION

[22] Filed: **Jan. 13, 1989**

[52] U.S. Cl. **D12/1**

FIG. 1 is a front elevational view of an all terrain vehicle flotation unit showing my new design;

[58] Field of Search **D12/1, 3, 300, 306; 180/215; 114/123, 283, 270**

FIG. 2 is a rear elevational view thereof;

FIG. 3 is a left side elevational view thereof;

FIG. 4 is a right side elevational view thereof;

FIG. 5 is a top plan view thereof; and

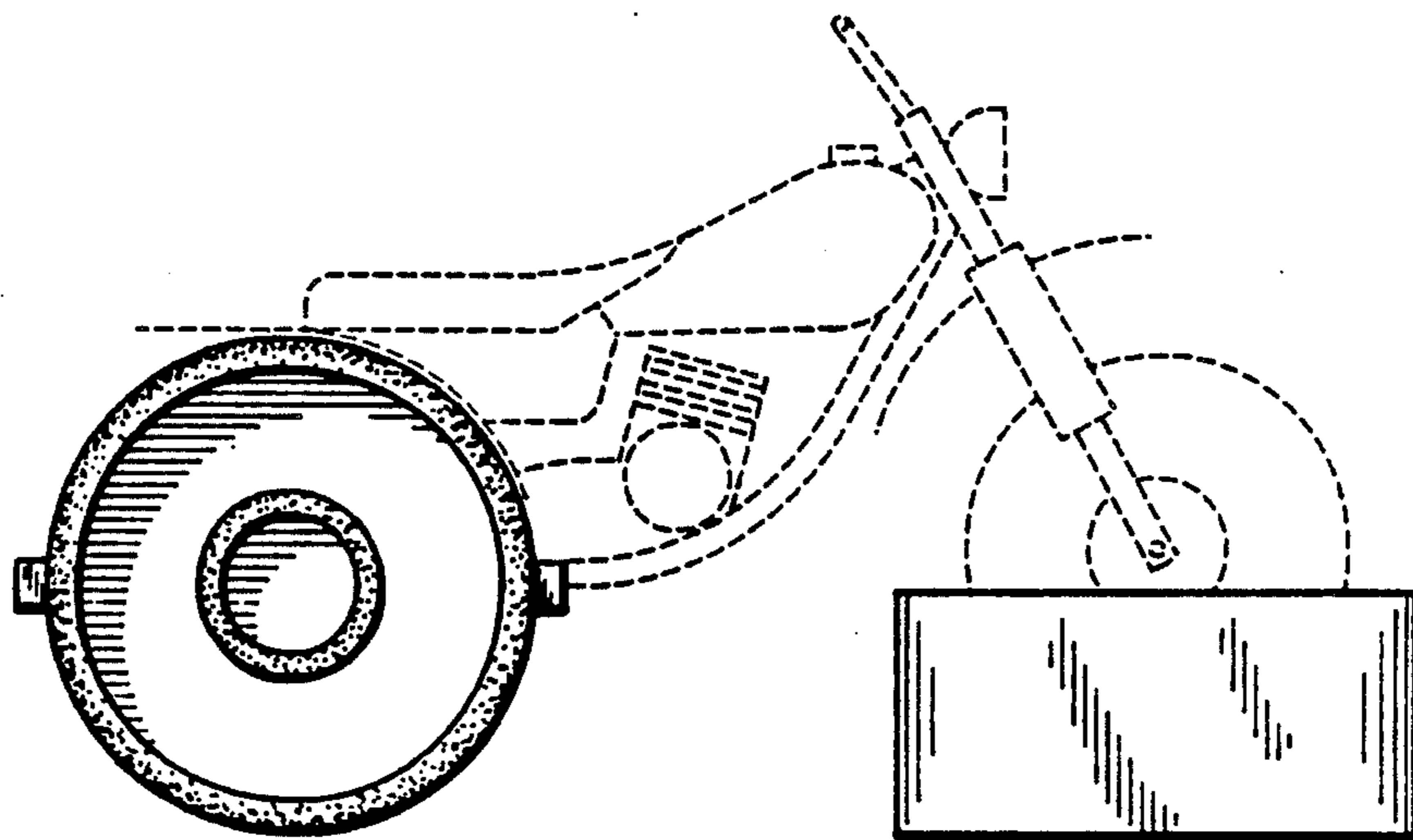
FIG. 6 is a bottom plan view thereof.

The broken line showing of the vehicle is for illustrative purposes only and forms no part of the claimed design.

[56] **References Cited**

U.S. PATENT DOCUMENTS

1,920,391	8/1933	Herwig	D12/306
4,494,937	1/1985	Riermann	114/270
4,593,640	6/1986	Blunsch	114/270



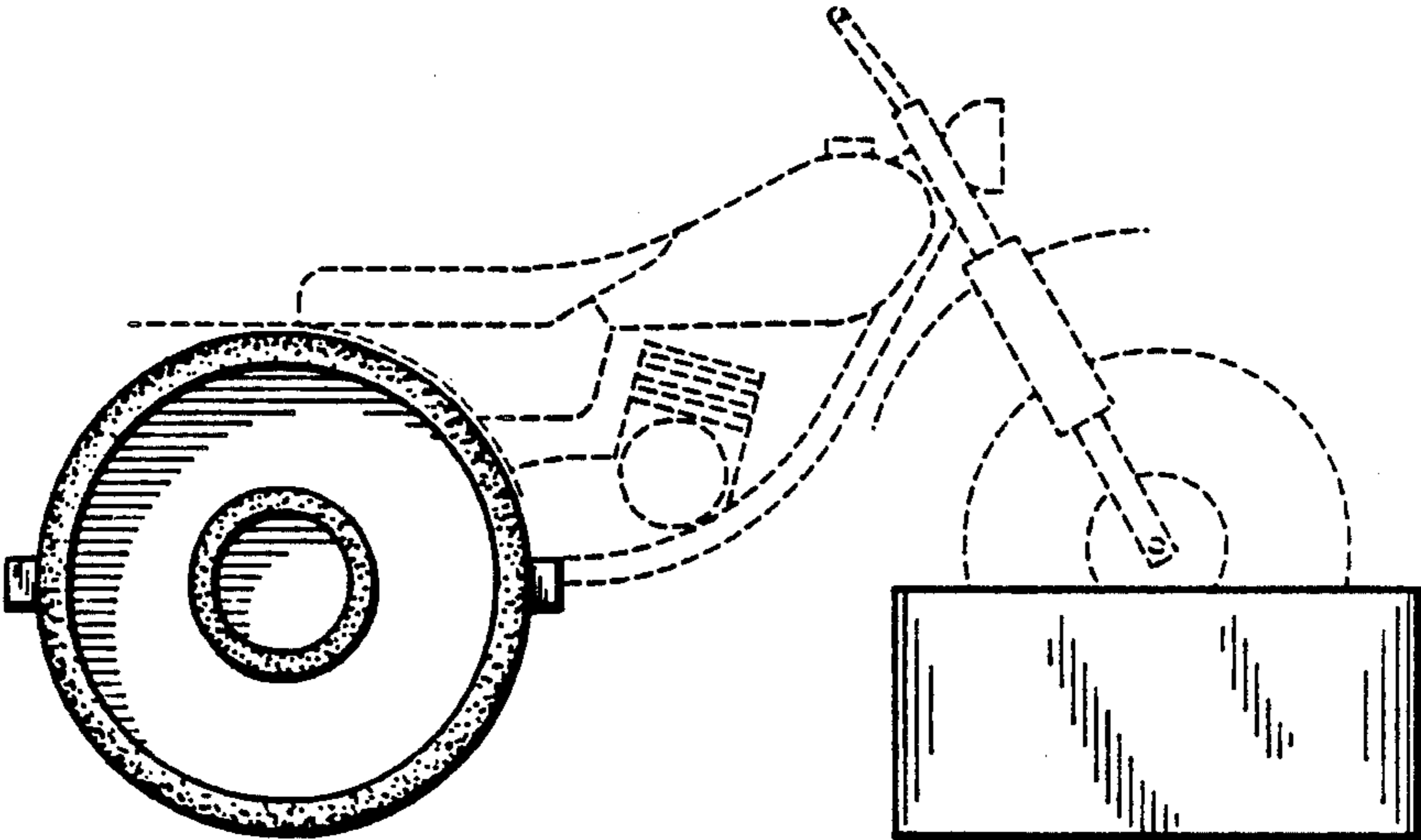


Fig. 1

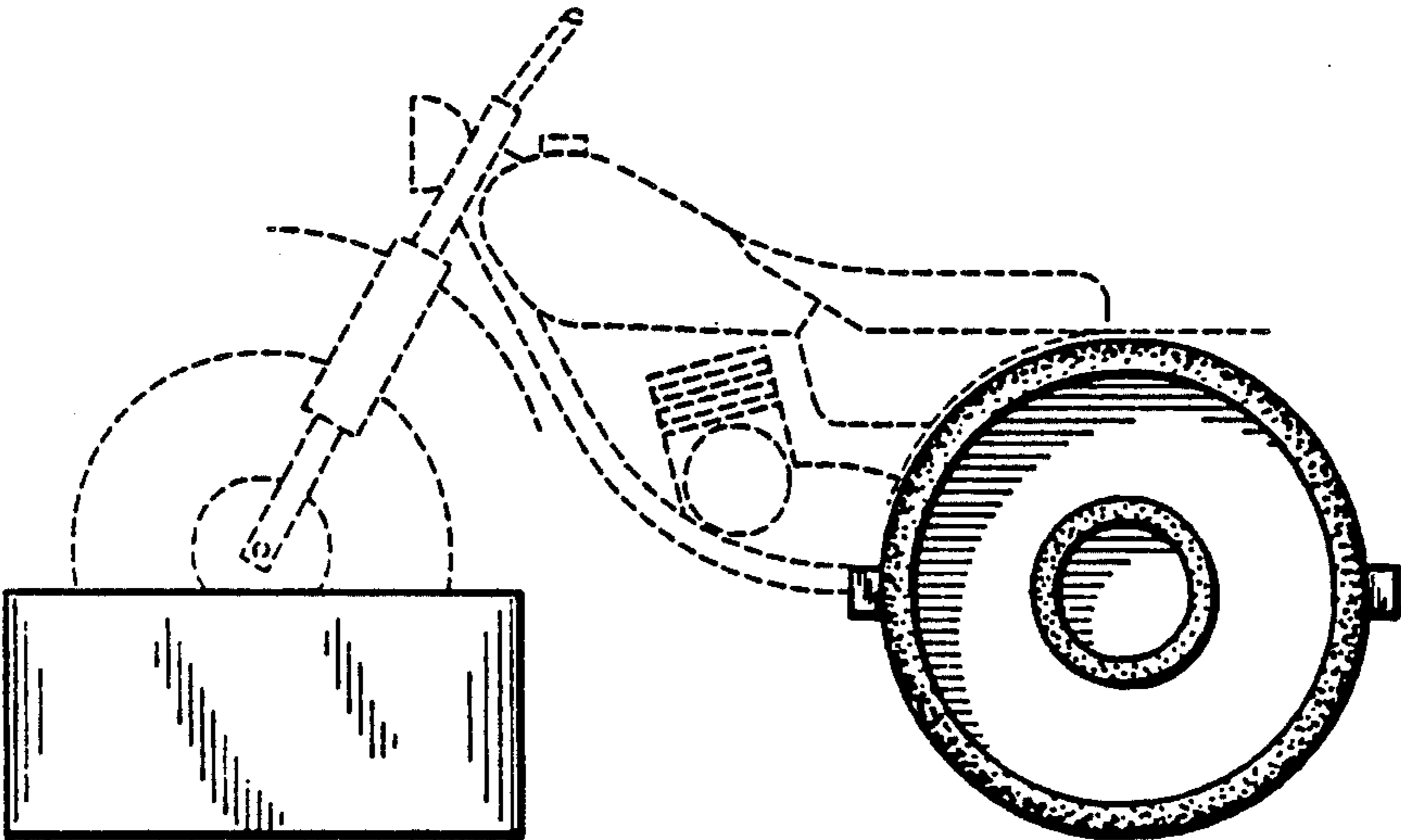


Fig. 2

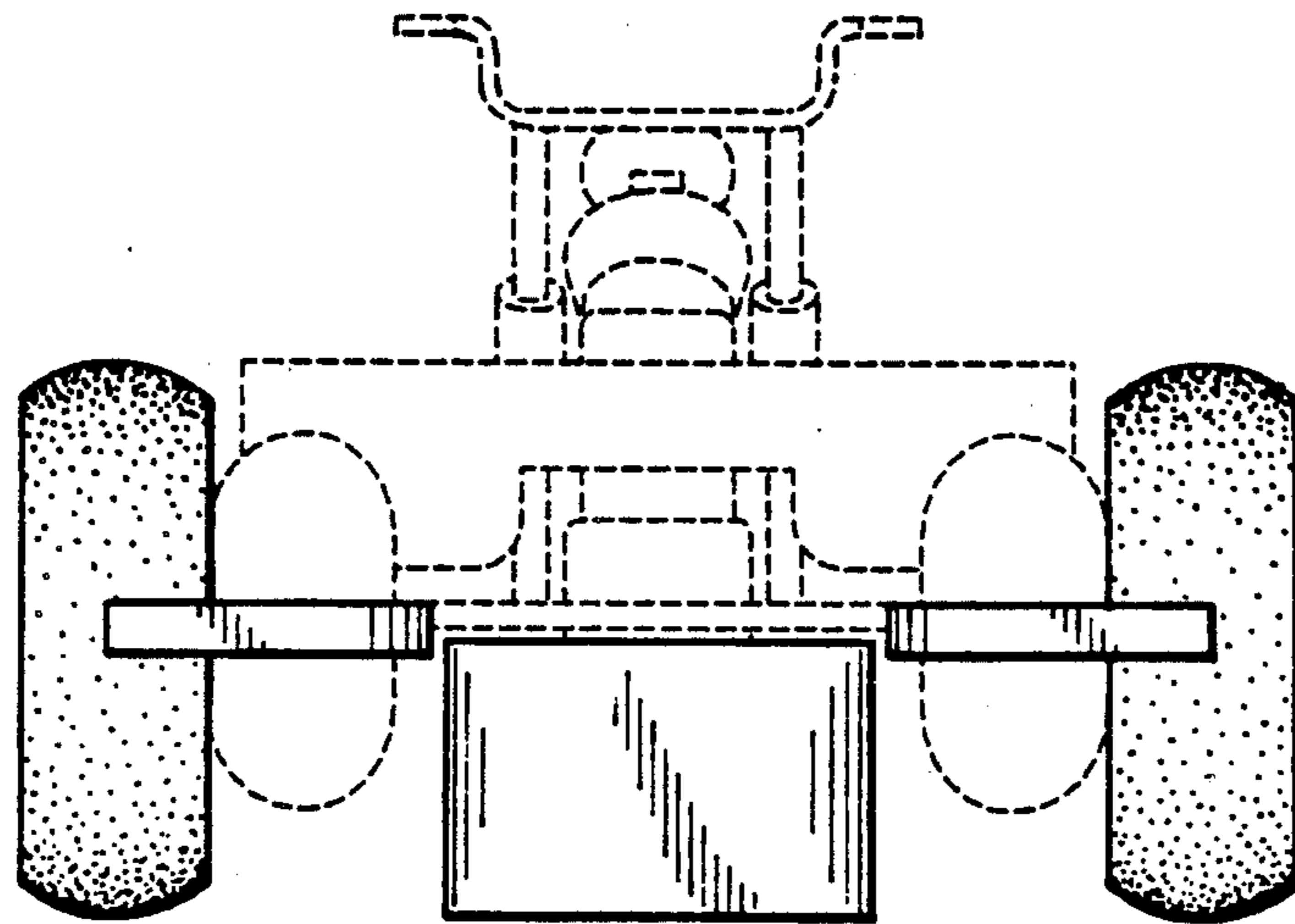


Fig. 3

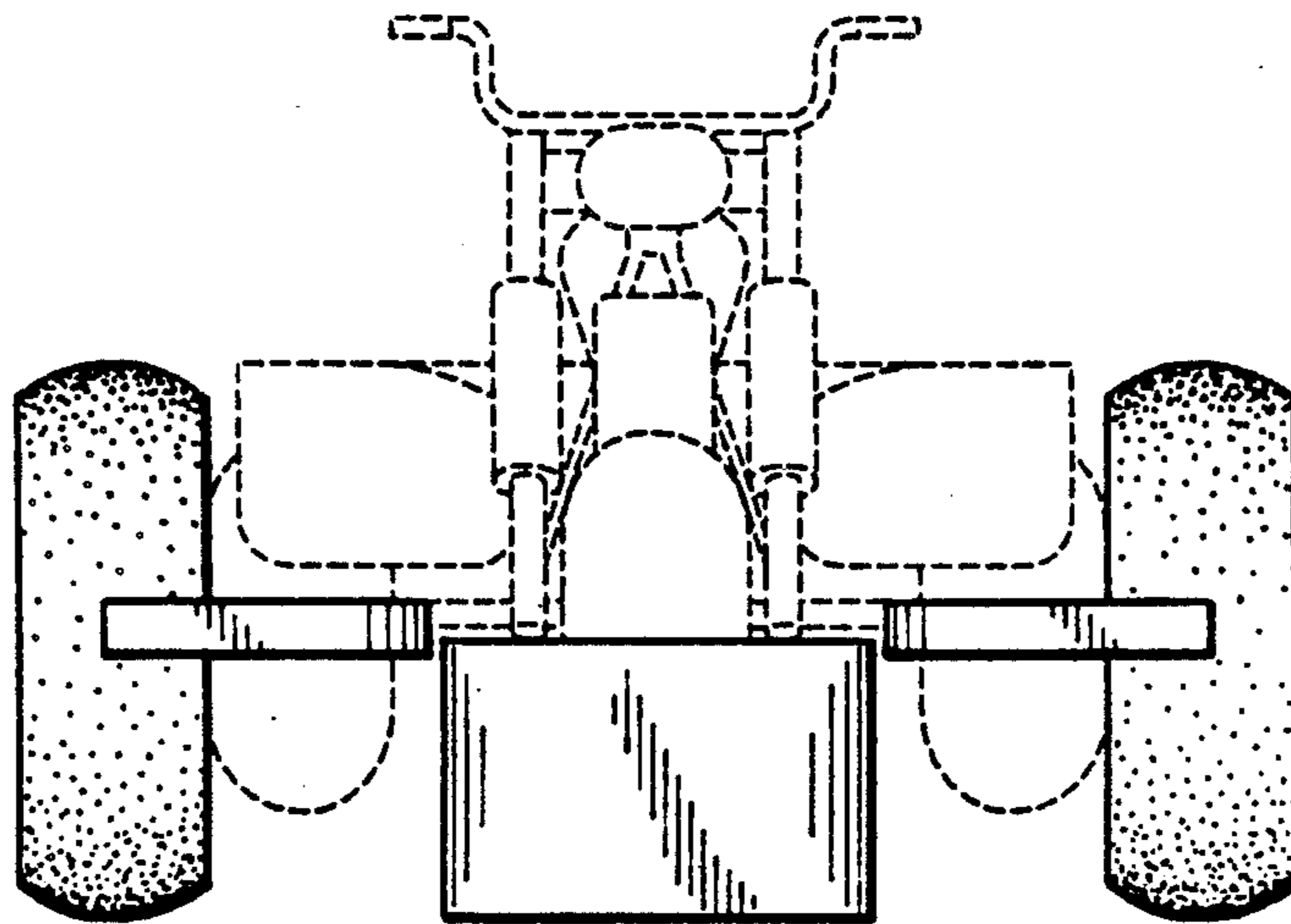


Fig. 4

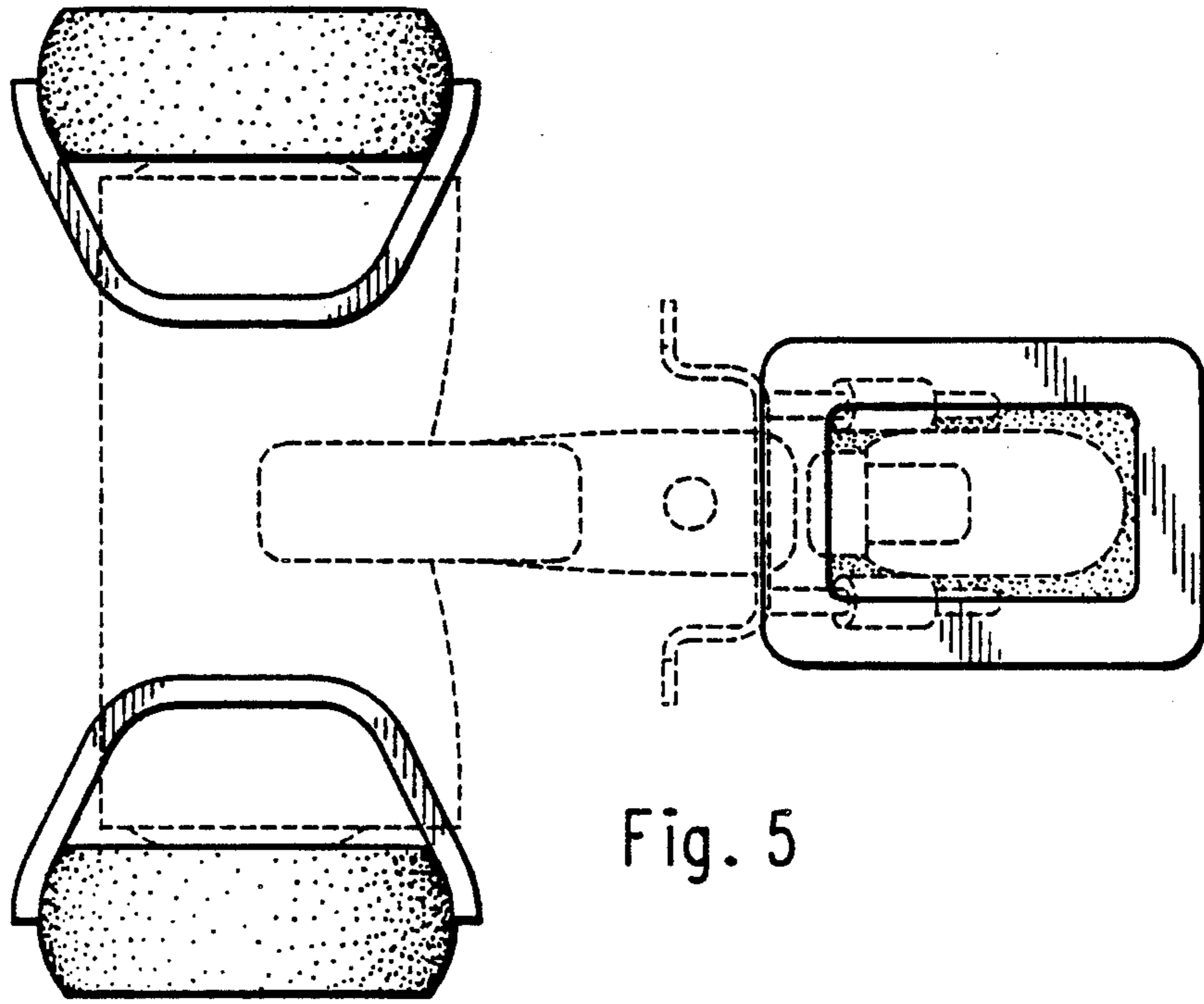


Fig. 5

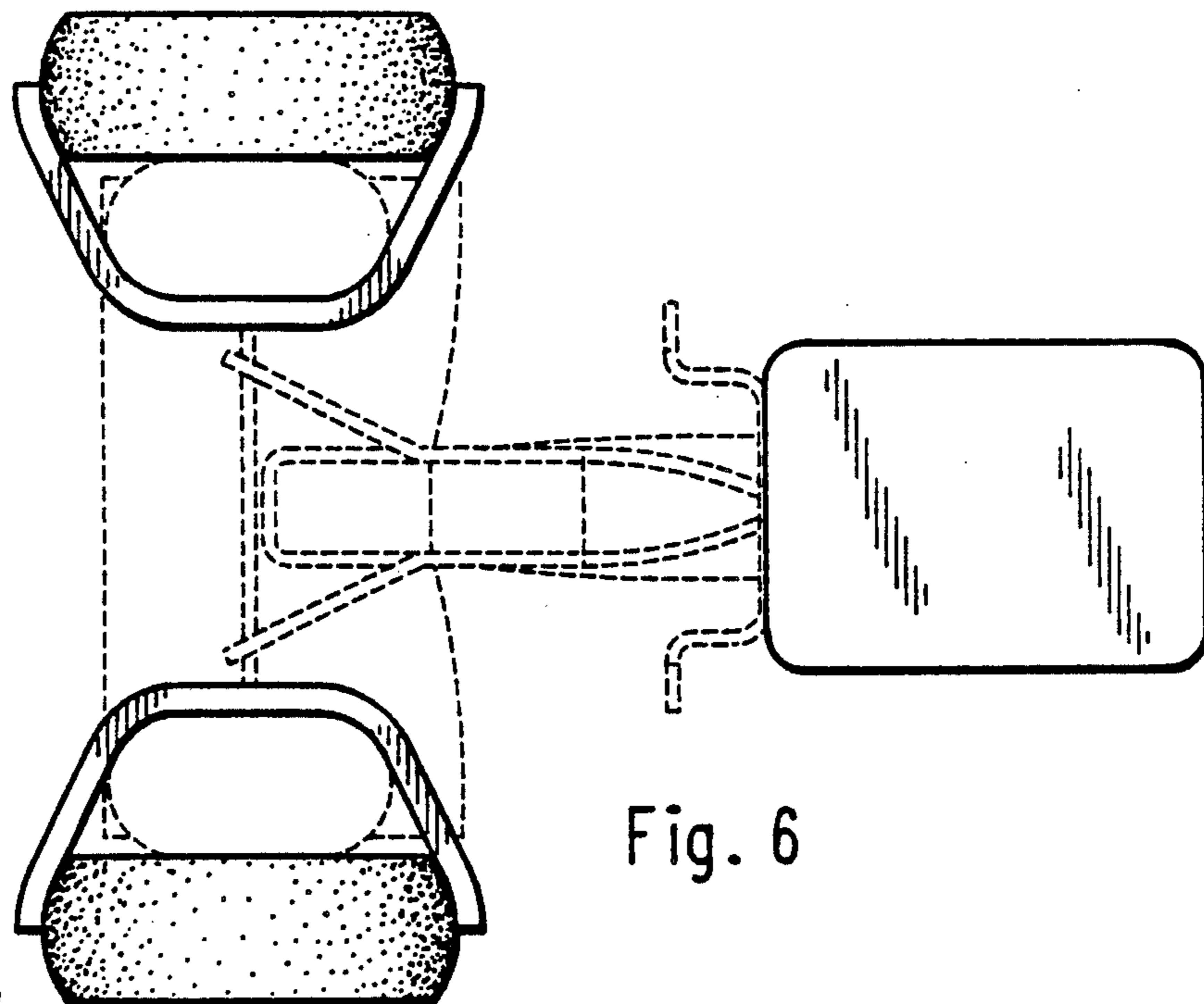


Fig. 6