



US00D323303S

United States Patent [19]

[11] Patent Number: **Des. 323,303**

Johansson et al.

[45] Date of Patent: **** Jan. 21, 1992**

[54] **WARNING AND INFORMATION SIGN FOR A VEHICLE**

[56] **References Cited**

[76] Inventors: **Lars-Gunnar Johansson**, 28 Rue S:t Joseph, F-83310 Freinet, France;
Daniel Miles, Köpstadsö, S-430 84 Styrso, Sweden

U.S. PATENT DOCUMENTS

D. 311,148	10/1990	Yuen	D10/109
3,589,328	6/1971	Kiniry	116/63 T
3,600,059	8/1971	Evans	116/63 T
3,759,214	9/1973	Evans et al.	116/63 T
4,952,910	8/1990	Straten et al.	116/63 T

[**] Term: **14 Years**

Primary Examiner—James M. Gandy
Assistant Examiner—Marcus Jackson
Attorney, Agent, or Firm—Nilles & Nilles

[21] Appl. No.: **366,018**

[57] CLAIM

The ornamental design for warning and information sign for a vehicle, as shown and described.

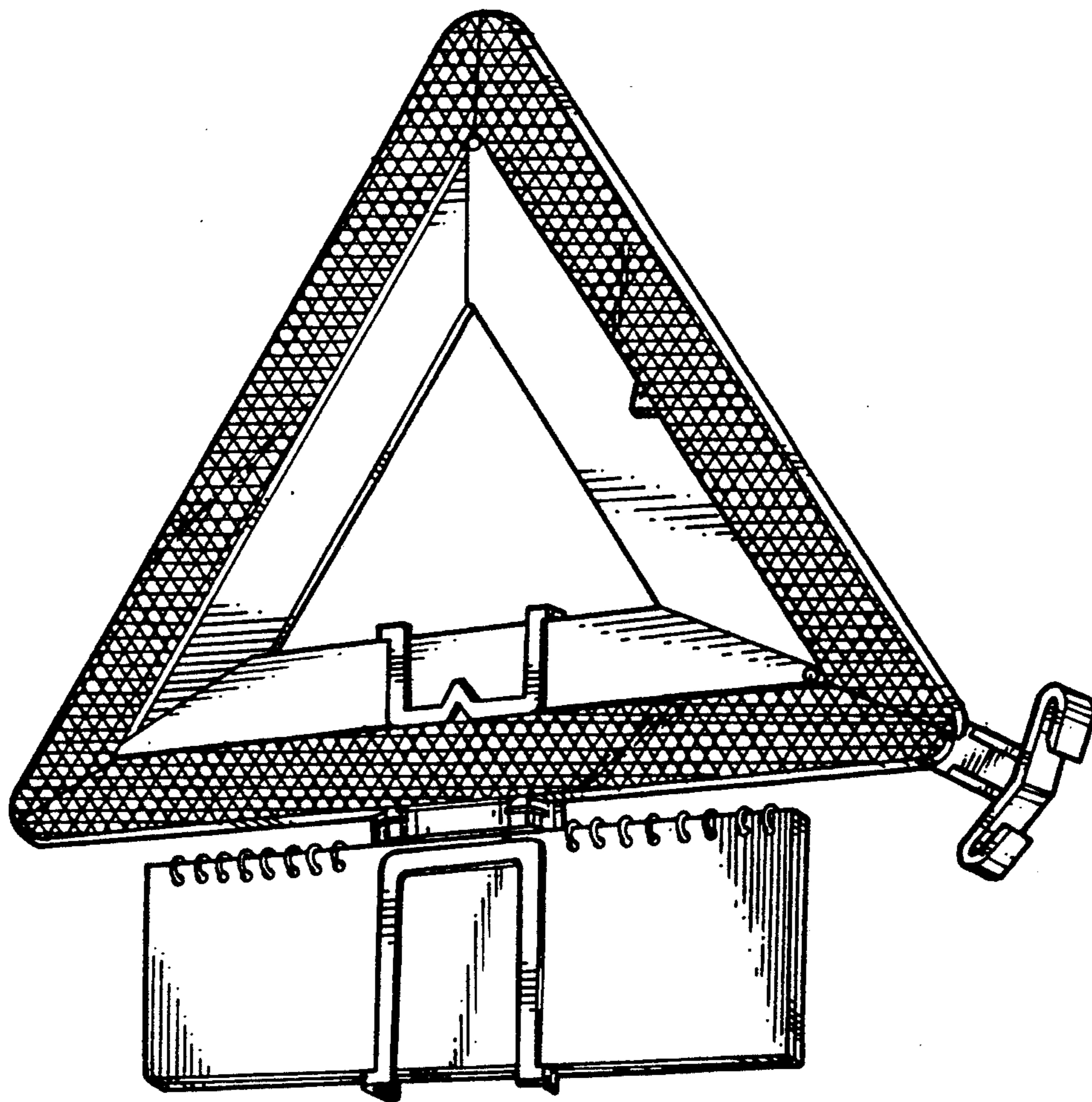
[22] Filed: **Jun. 13, 1989**

DESCRIPTION

[30] Foreign Application Priority Data

Dec. 13, 1988 [SE] Sweden 88-2870
[52] U.S. Cl. **D10/114; D10/109; D10/111**
[58] Field of Search **D10/109, 111, 114, 115; 340/468; 116/28, 63 P, 63 T**

FIG. 1 is a front perspective view of a warning and information sign for a vehicle showing my new design; FIG. 2 is a rear perspective view thereof; FIGS. 3 and 4 are perspective views, respectively, from opposite sides of the twin hook and shown separately for clarity of illustration only; and FIGS. 5 and 6 are perspective views, respectively, from opposite sides of the hanger and shown separately for clarity of illustration only.



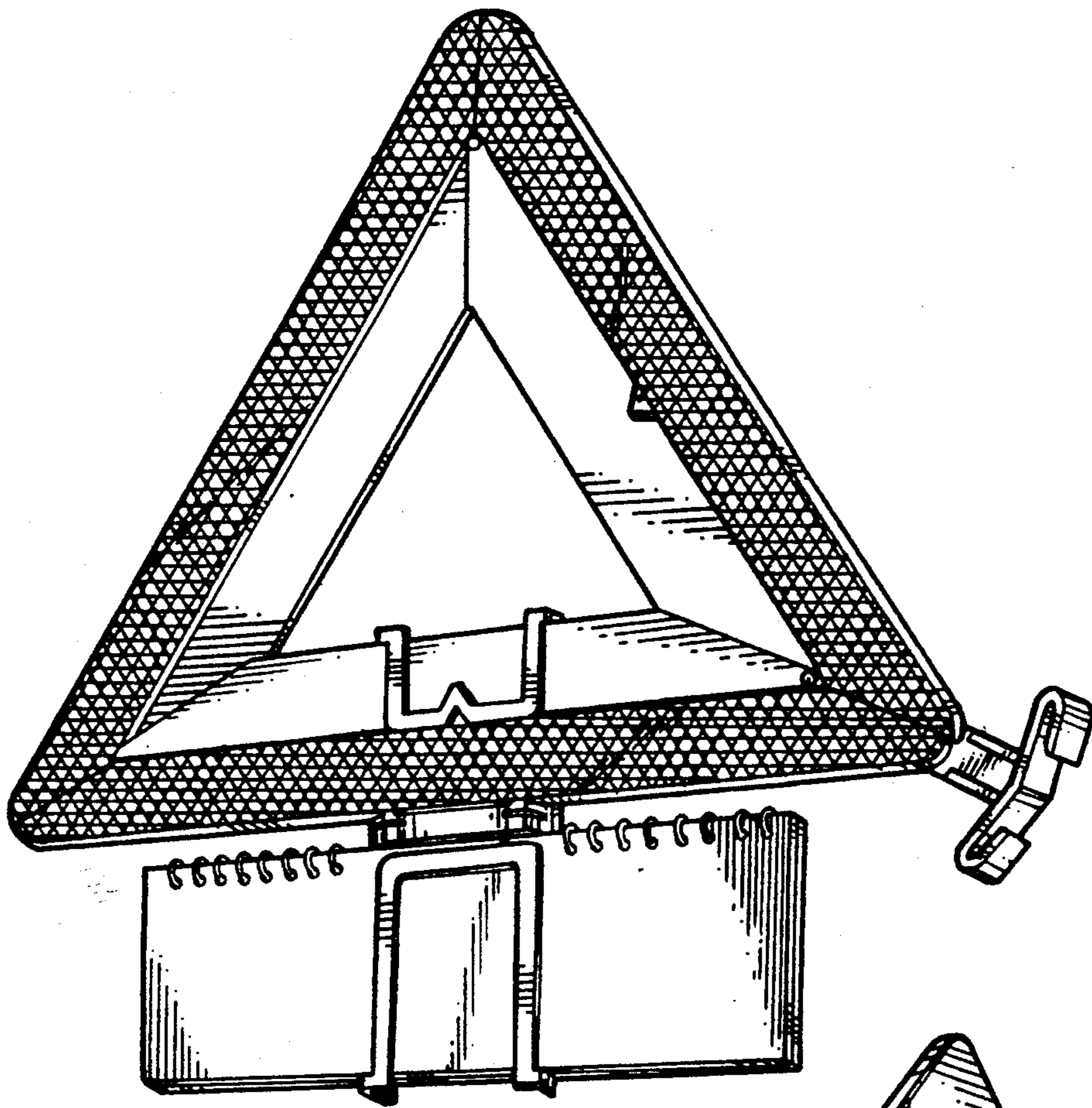


FIG. 1

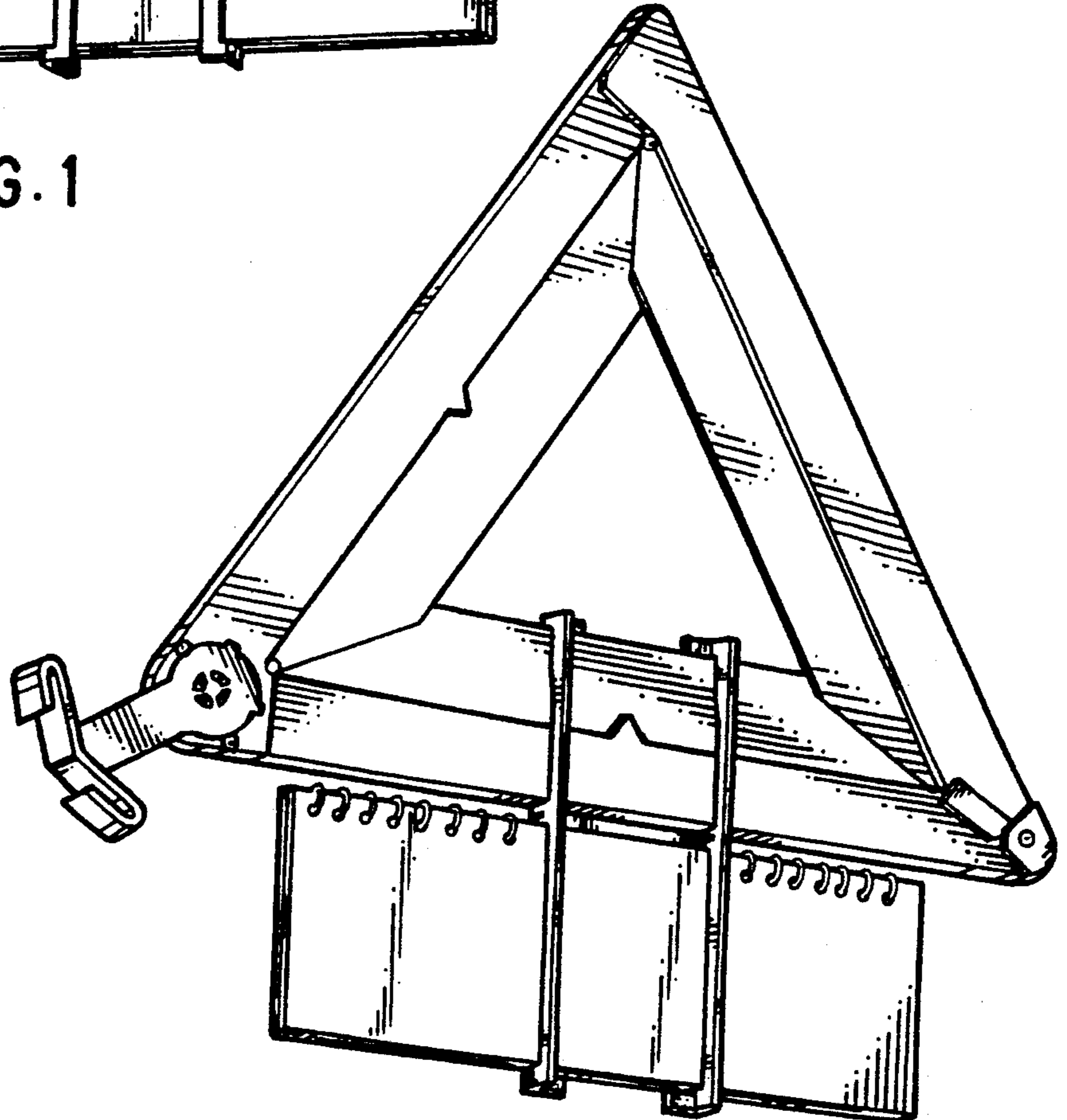


FIG. 2

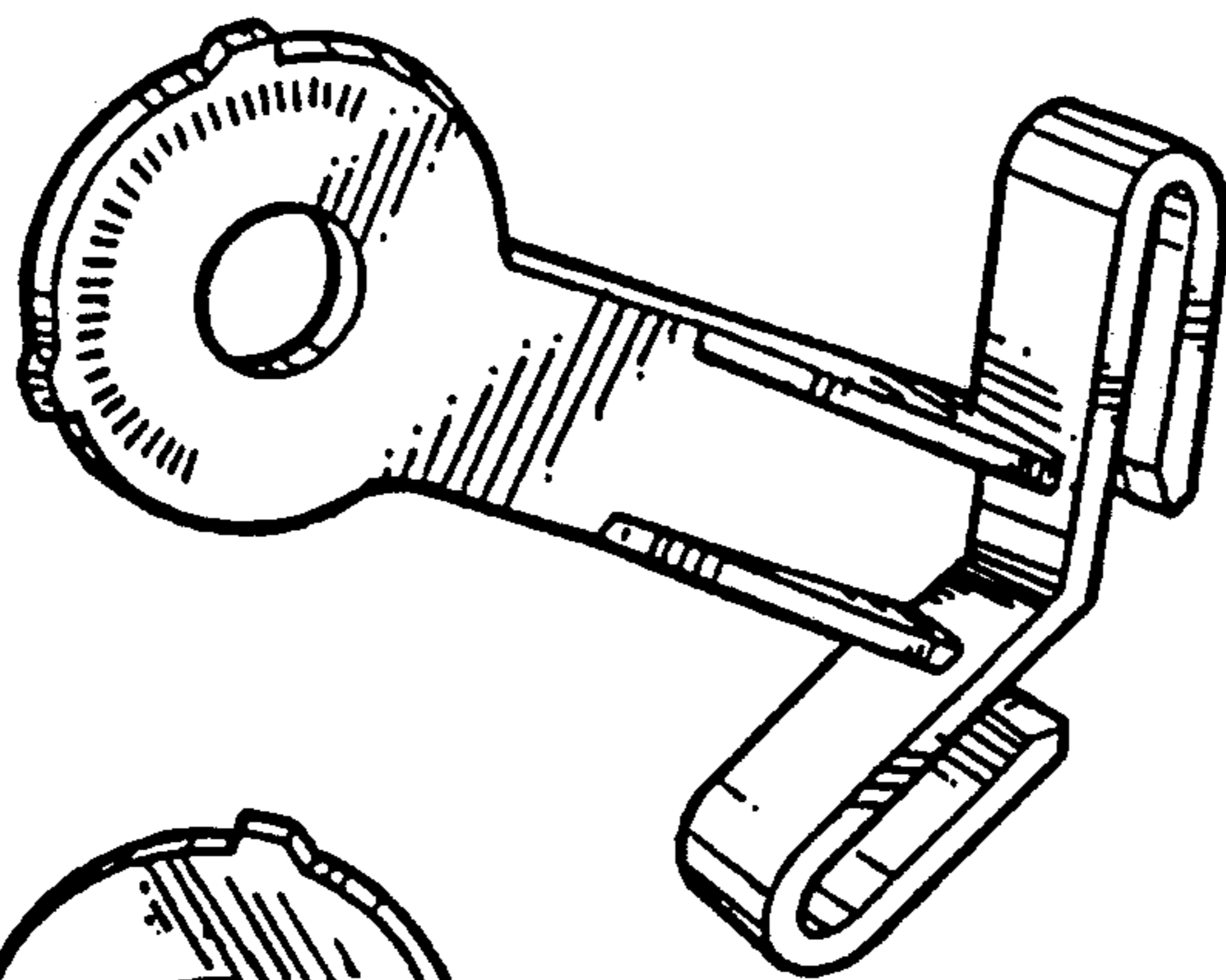


FIG. 3

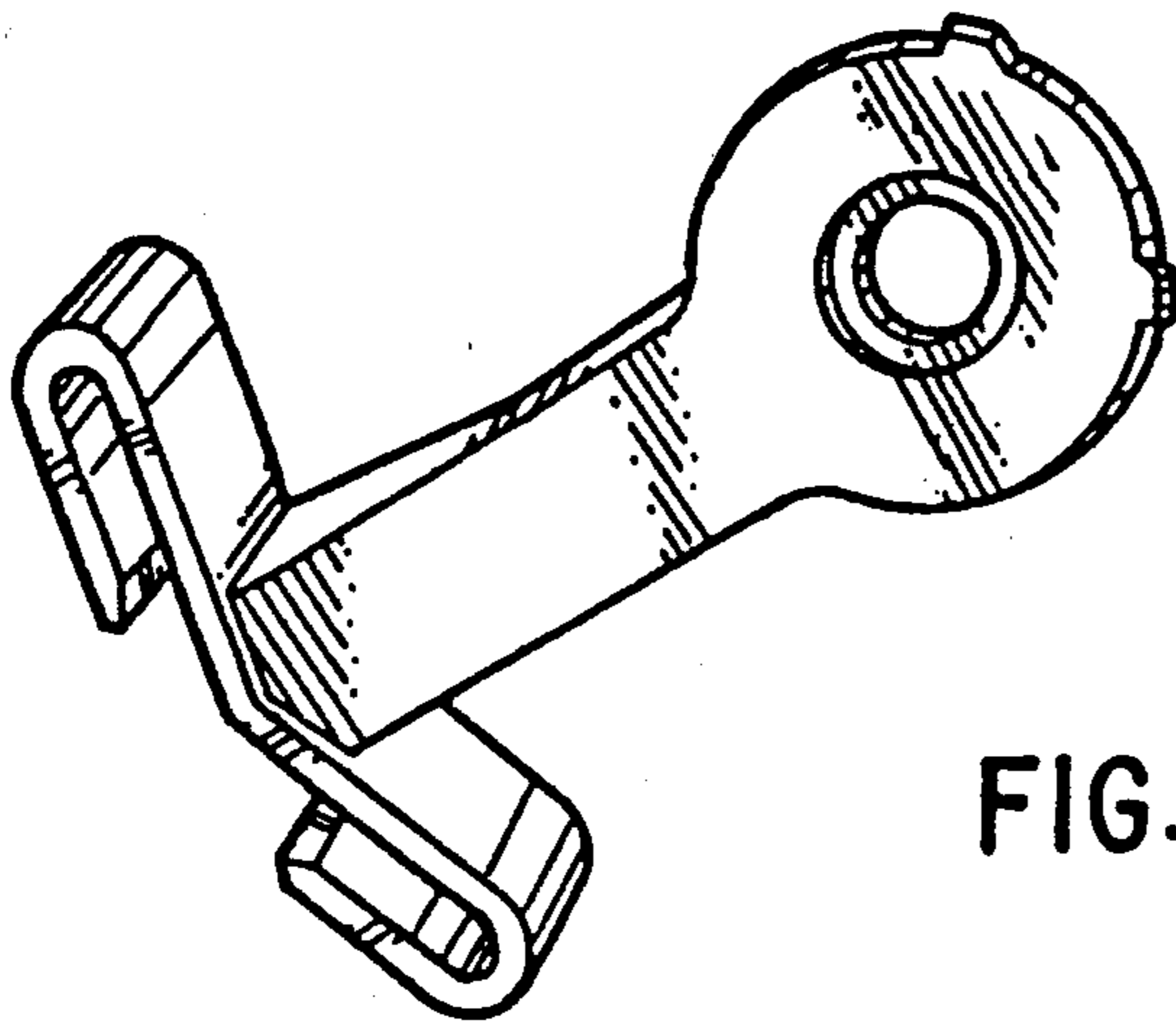


FIG. 4

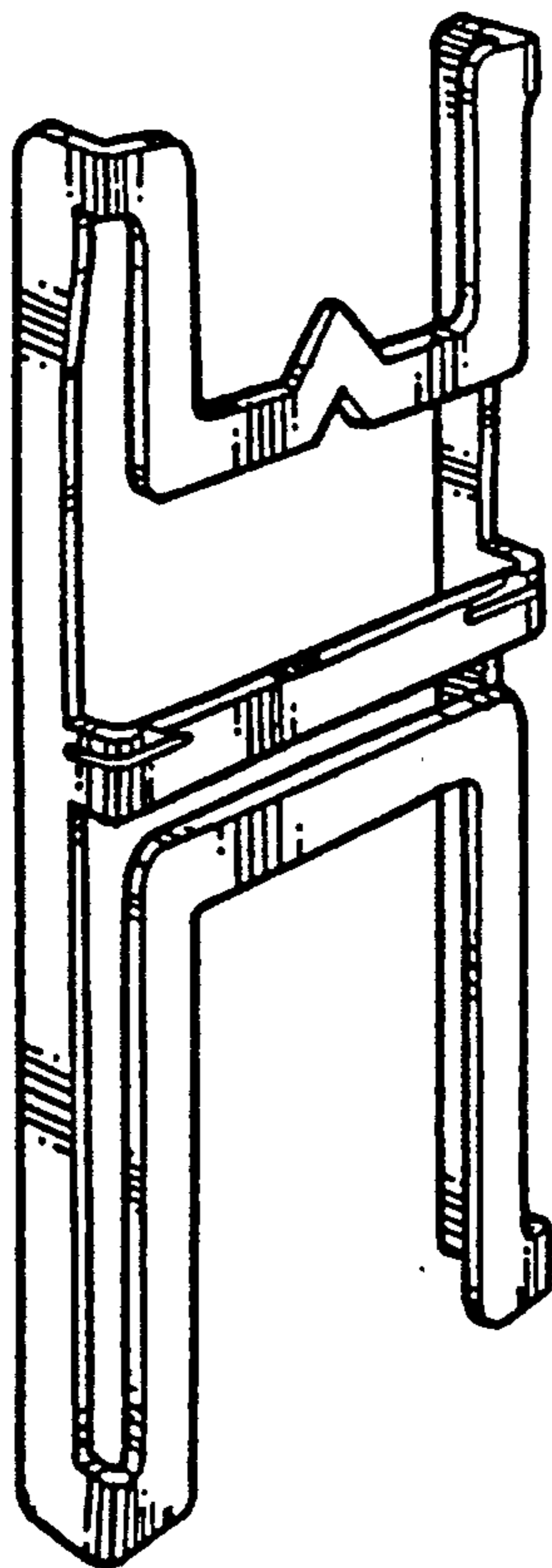


FIG. 5

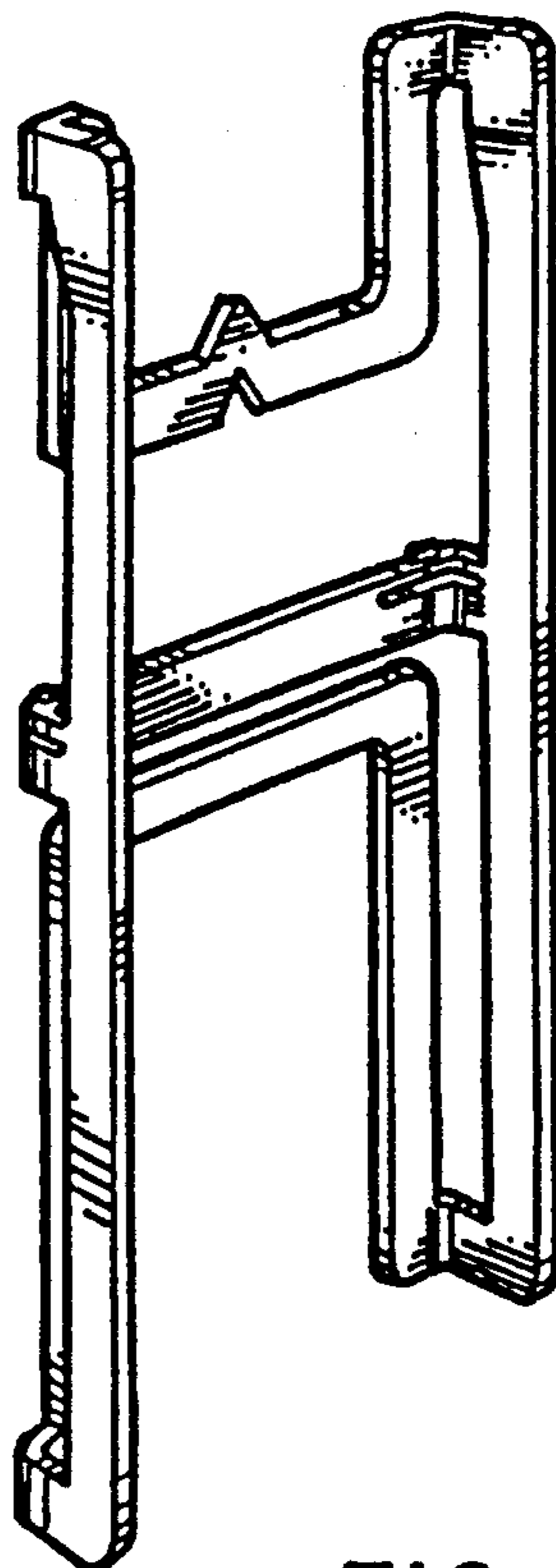


FIG. 6