



US00D323302S

United States Patent [19]

[11] Patent Number: **Des. 323,302**

Johnson

[45] Date of Patent: **** Jan. 21, 1992**

[54] WEIGHING SCALE

[76] Inventor: **Oriz W. Johnson**, 7086 Butterwood Dr., Cincinnati, Ohio 45241

[**] Term: **14 Years**

[21] Appl. No.: **400,023**

[22] Filed: **Aug. 24, 1989**

[52] U.S. Cl. **D10/93**

[58] Field of Search **D10/87, 89, 90, 91, D10/92, 93; 177/238, 239, 240, 241, 243, DIG. 3**

[56] References Cited

U.S. PATENT DOCUMENTS

- D. 83,311 2/1931 Chambers D10/93
- D. 93,031 8/1934 May D10/93 X
- D. 94,140 12/1934 Hansen D10/93
- D. 133,993 10/1942 Menkhaus D10/93
- D. 297,364 8/1988 Slater D10/88 X

OTHER PUBLICATIONS

Linens Domestics & Bath, Continental Scale, 9/1985, p. 39.

Primary Examiner—Bruce W. Dunkins

Assistant Examiner—Antoine D. Davis

[57] CLAIM

The ornamental design for a weighing scale, as shown and described.

DESCRIPTION

FIG. 1 is a left side elevational view of a weighing scale showing my new design;

FIG. 2 is a right side elevational view;

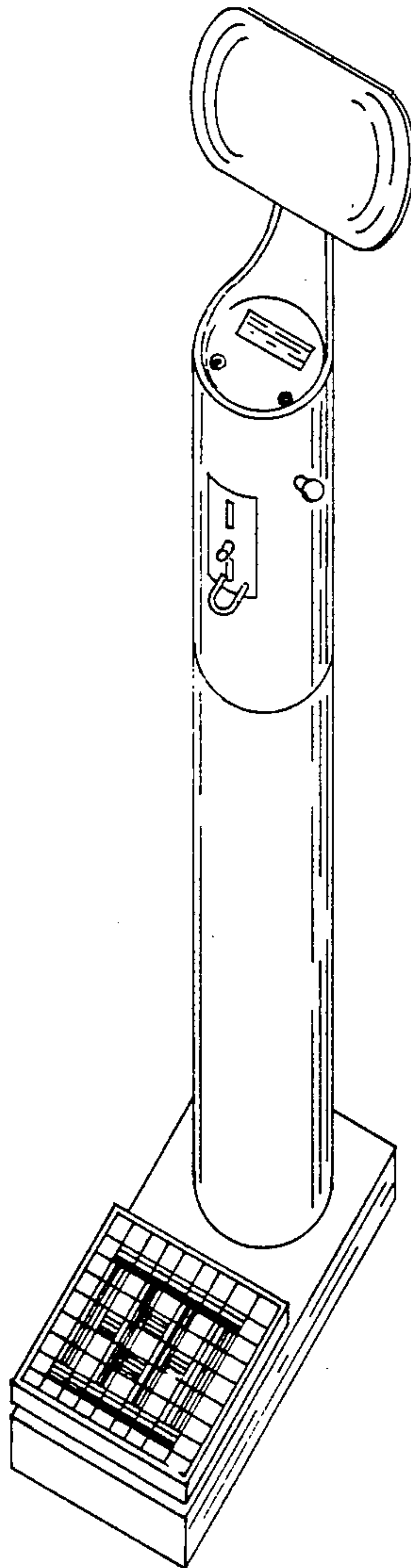
FIG. 3 is a rear elevational view;

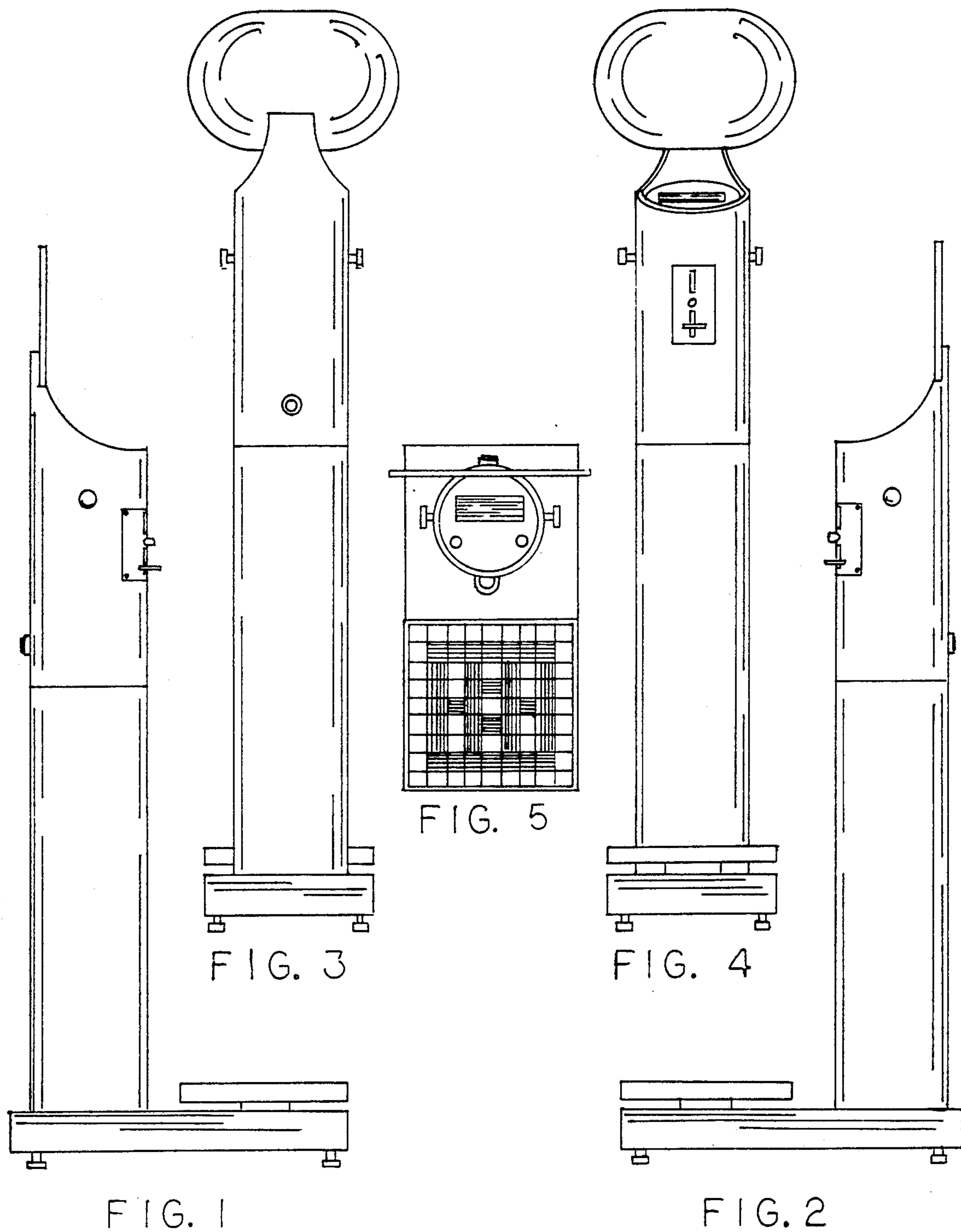
FIG. 4 is a front elevational view;

FIG. 5 is a top plan view; and

FIG. 6 is a perspective view thereof.

FIG. 6 has been drawn on an enlarged scale with respect to FIGS. 1-5.





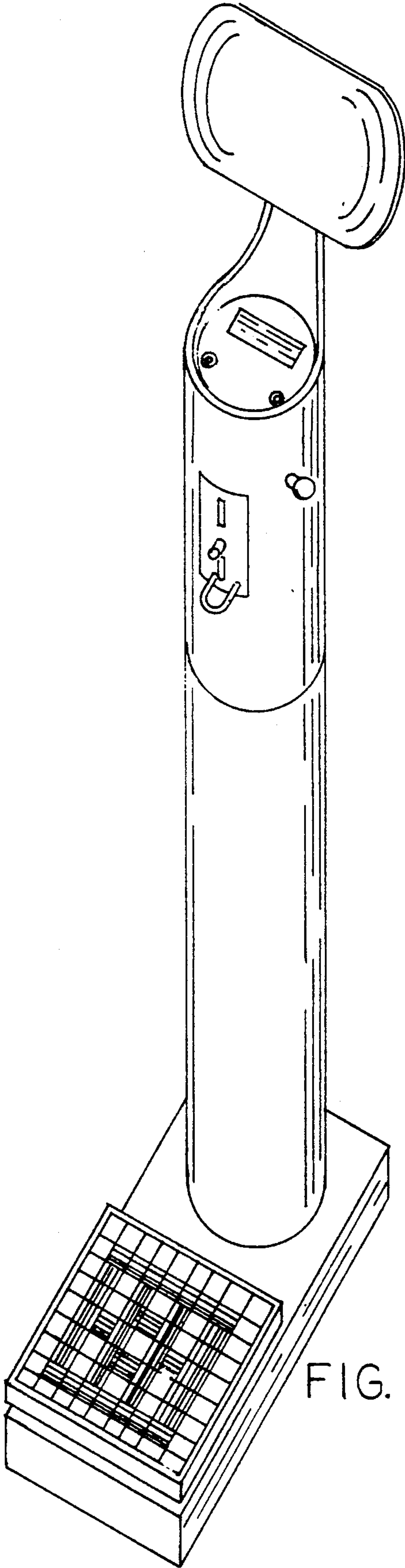


FIG. 6