



US00D323300S

# United States Patent [19]

[11] Patent Number: **Des. 323,300**

Define, Sr.

[45] Date of Patent: **\*\* Jan. 21, 1992**

[54] FUSE TESTER

[76] Inventor: **James F. Define, Sr., 3614 W. Missouri Ave., Phoenix, Ariz. 85019**

[\*\*] Term: **14 Years**

[21] Appl. No.: **332,108**

[22] Filed: **Apr. 3, 1989**

[52] U.S. Cl. .... **D10/78**

[58] Field of Search ..... **D10/46, 75, 78; 324/500, 502, 503, 507; 337/52 D, 206, 241, 242; 340/52 R, 635, 638, 639, 815.01, 815.03; 361/104**

3,562,733	2/1971	Murphy et al. ....	340/638
3,828,290	8/1974	Kawiccki .....	337/206 X
4,035,754	7/1977	Kleinbohl .....	340/638 X
4,611,201	9/1986	Guim et al. ....	340/638
4,633,240	12/1986	Guim et al. ....	340/638
4,691,197	9/1987	Damiano et al. ....	361/104 X

*Primary Examiner*—Nelson C. Holtje  
*Assistant Examiner*—Antoine D. Davis  
*Attorney, Agent, or Firm*—Leon Gilden

### [57] CLAIM

The ornamental design for a fuse tester, as shown and described.

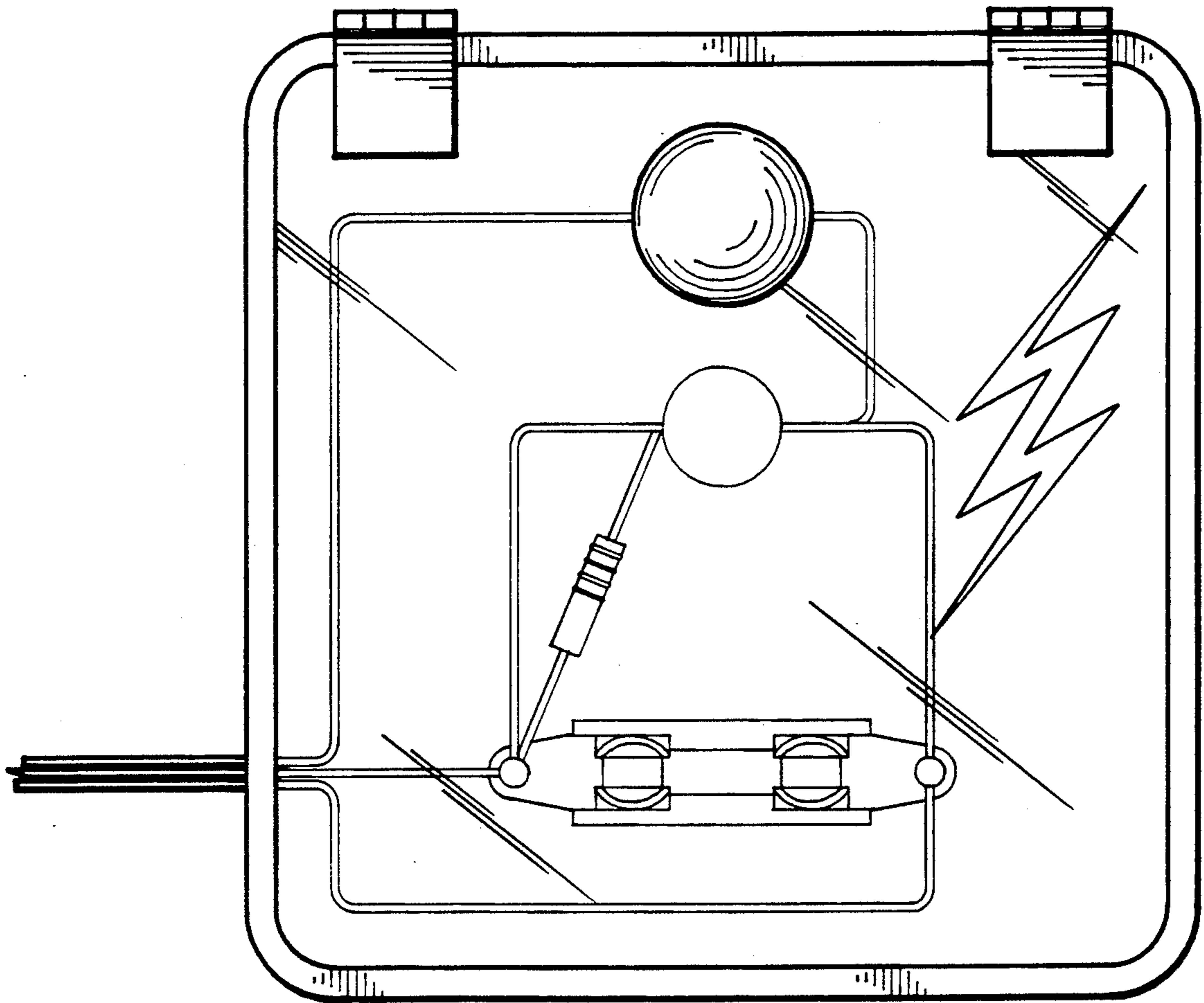
### DESCRIPTION

FIG. 1 is a front elevational view of a fuse tester showing my new design;  
FIG. 2 is a rear elevational view;  
FIG. 3 is a left side elevational view;  
FIG. 4 is a right side elevational view;  
FIG. 5 is a top plan view; and  
FIG. 6 is a bottom plan view thereof.

### [56] References Cited

#### U.S. PATENT DOCUMENTS

D. 173,618	12/1954	Hose .....	D10/78
D. 260,085	8/1981	Mitchell .....	D10/78
D. 278,984	5/1985	Roberts, Sr. ....	D10/78
D. 311,497	10/1990	Vincent, Sr. ....	D10/75



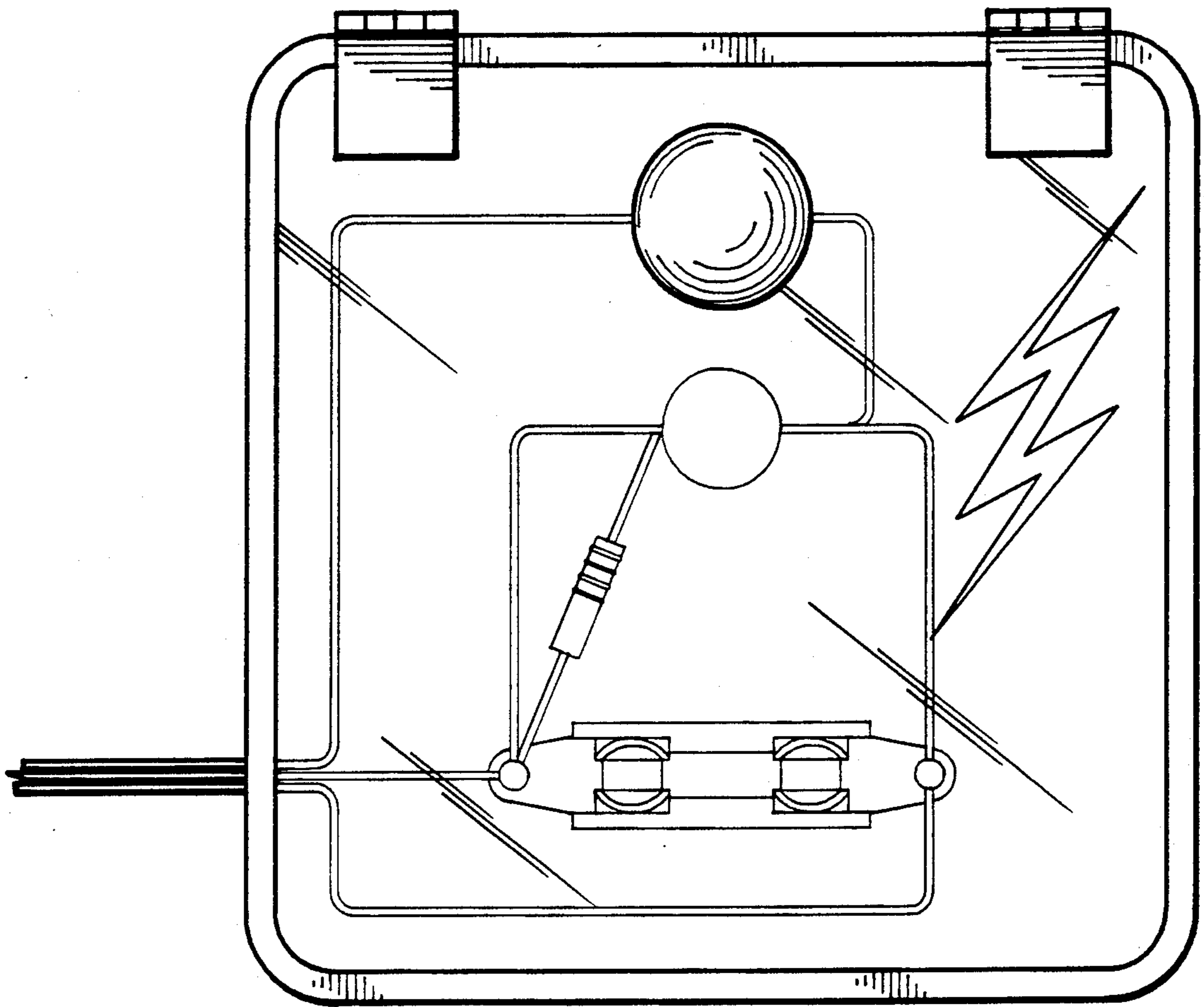


Fig. 1

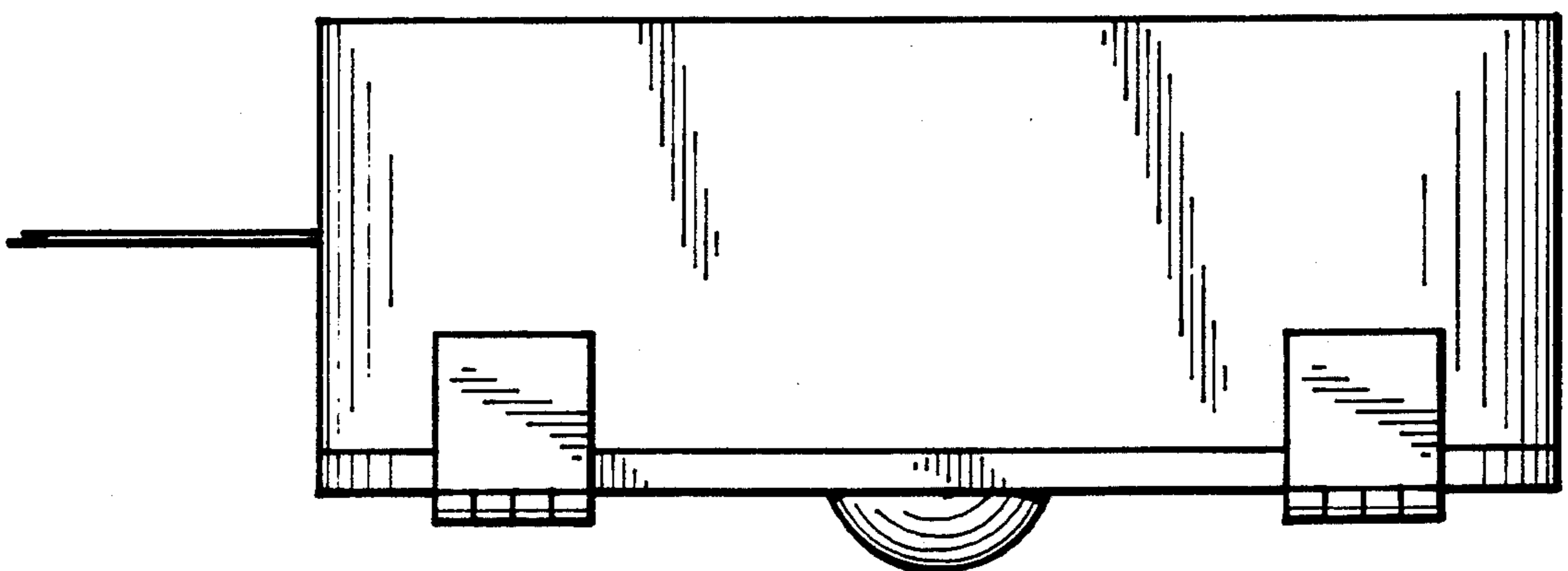


Fig. 5

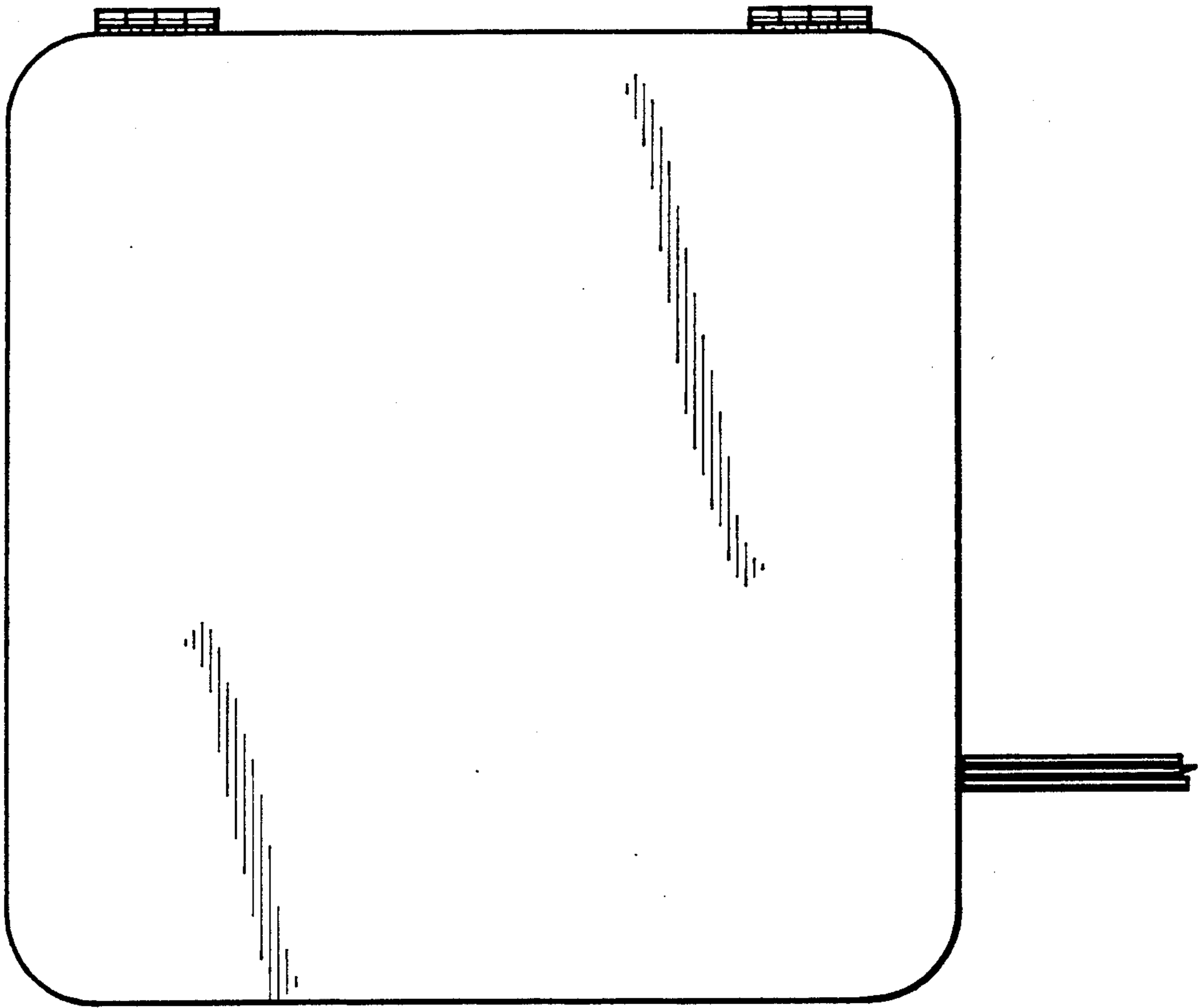


Fig. 2

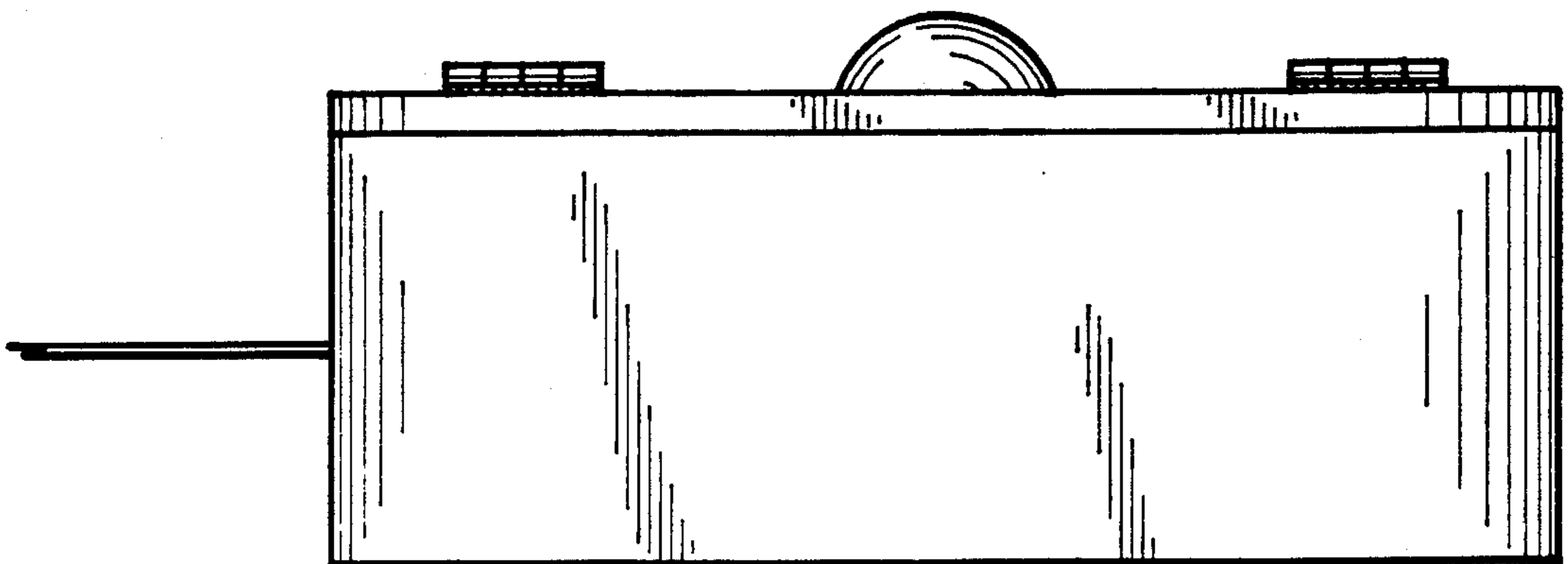


Fig. 6

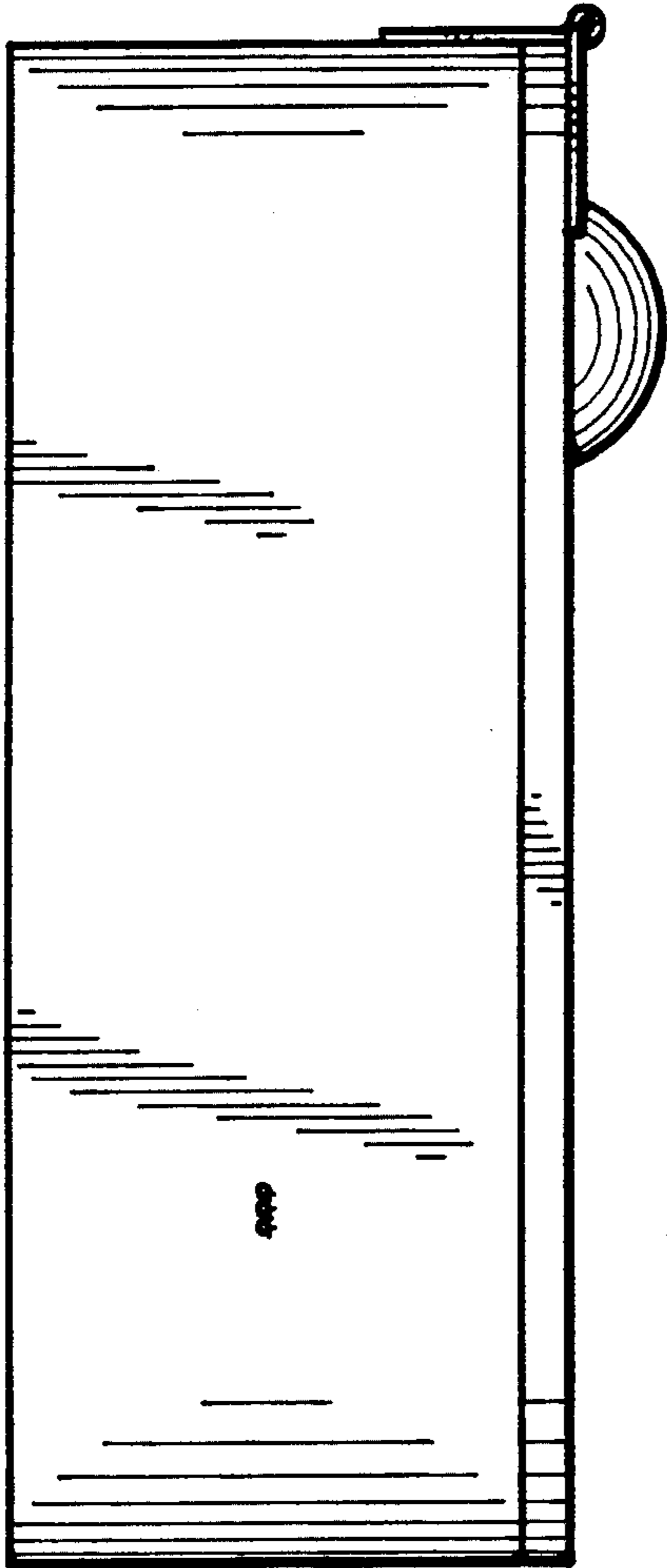


Fig. 3

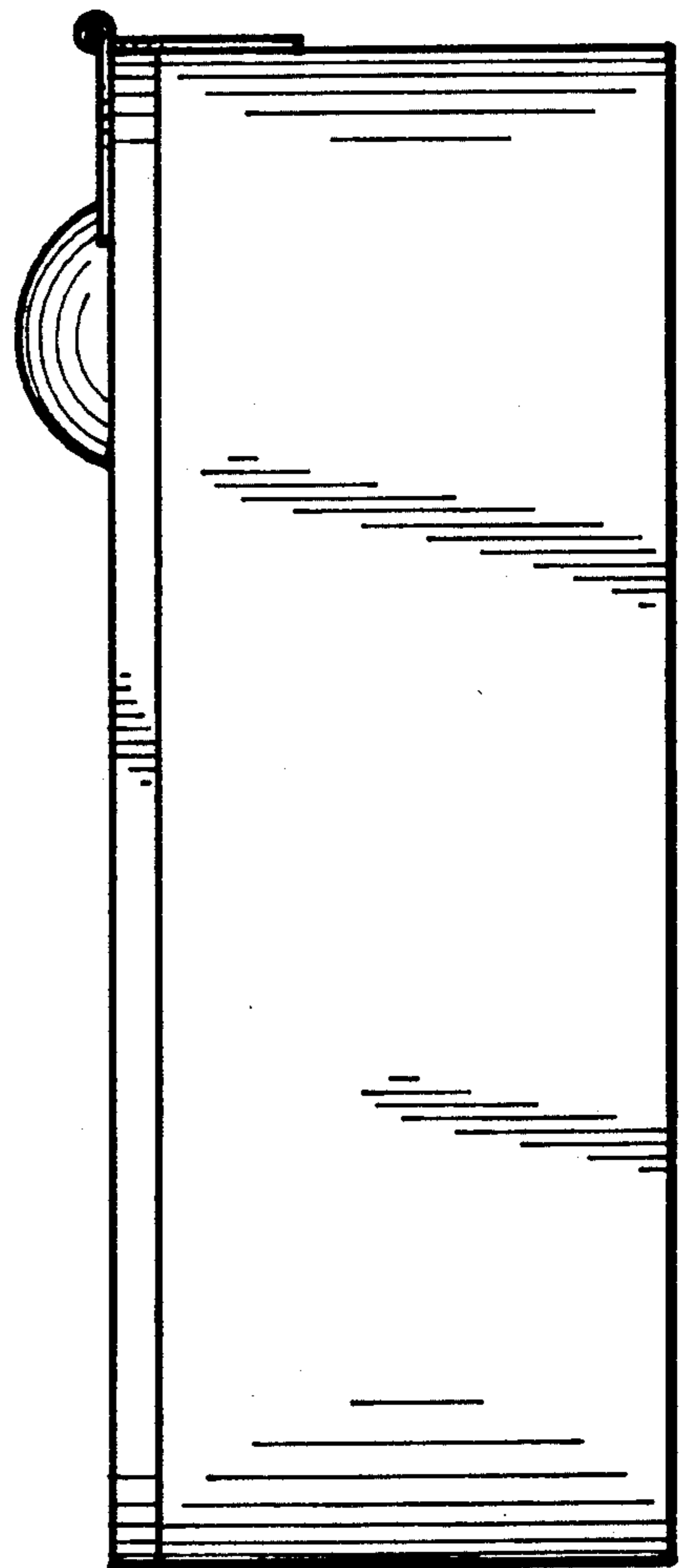


Fig. 4