



US00D323285S

# United States Patent [19]

[11] Patent Number: **Des. 323,285**

Thomson

[45] Date of Patent: **\*\* Jan. 21, 1992**

[54] **HAND APPLIANCE SUPPORT OR SIMILAR ARTICLE**

2,286,539	6/1942	Hagenstrom .....	248/301 X
2,468,190	4/1949	Friedheim .....	248/301 X
2,510,711	6/1950	Monsch .....	248/301 UX

[76] Inventor: **Robert D. Thomson**, 24609 Graham Rd., Redford Township, Wayne County, Mich. 48239

*Primary Examiner*—Horace B. Fay, Jr.  
*Attorney, Agent, or Firm*—Gossett Dykema

[\*\*] Term: **14 Years**

[57] **CLAIM**

[21] Appl. No.: **252,713**

The design for a hand appliance support or similar article, as shown.

[22] Filed: **Oct. 3, 1988**

**DESCRIPTION**

[52] U.S. Cl. .... **D8/372; D8/371**

FIG. 1 is a right side and front perspective view of a hand appliance support or similar article showing my new design;

[58] Field of Search .... **D8/371, 372, 367;**

**D6/323, 526; D12/115; 248/301, 304**

FIG. 2 is a front elevational view thereof;

FIG. 3 is a right side elevational view thereof;

FIG. 4 is a rear elevational view thereof;

FIG. 5 is a left side elevational view thereof; and

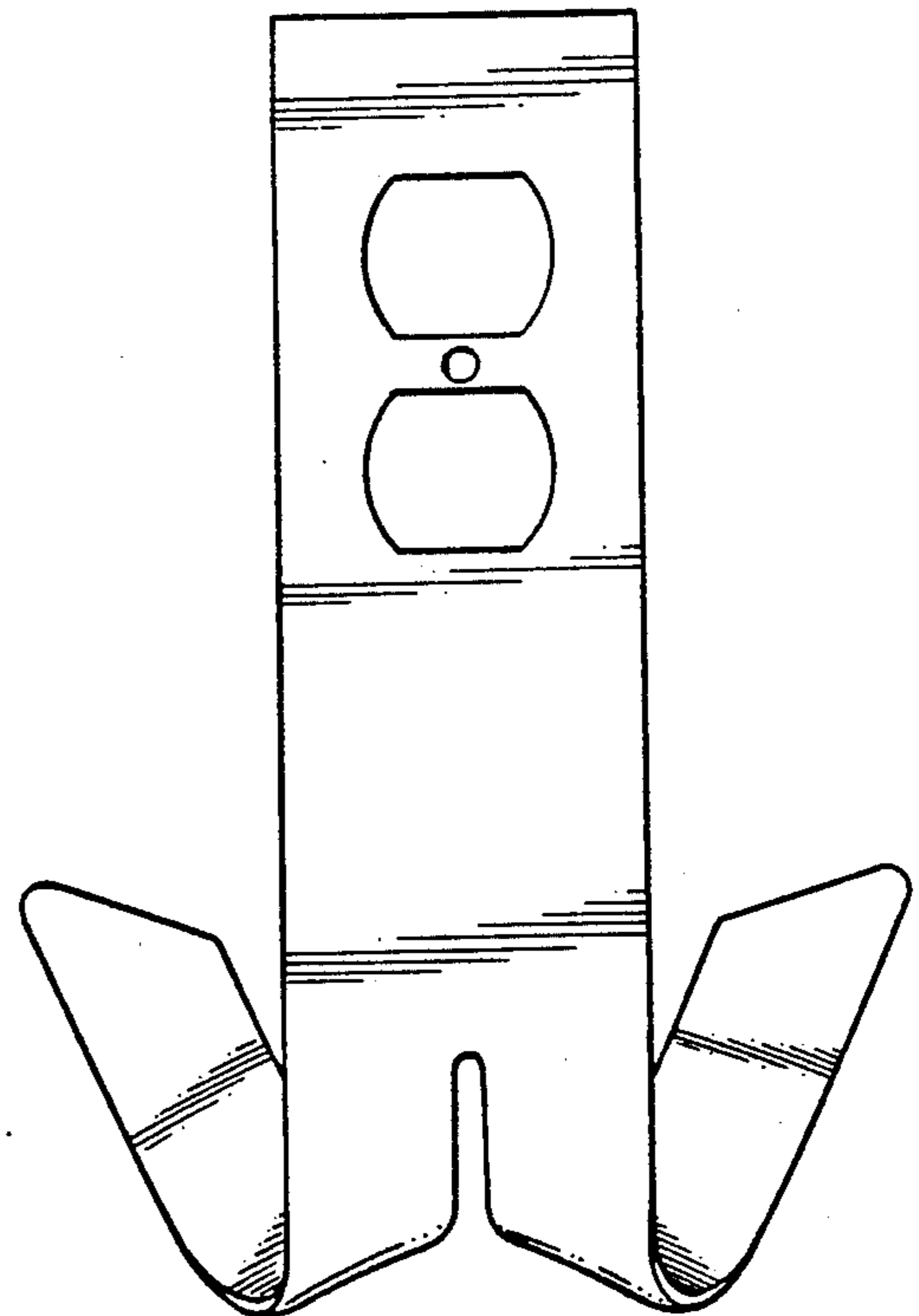
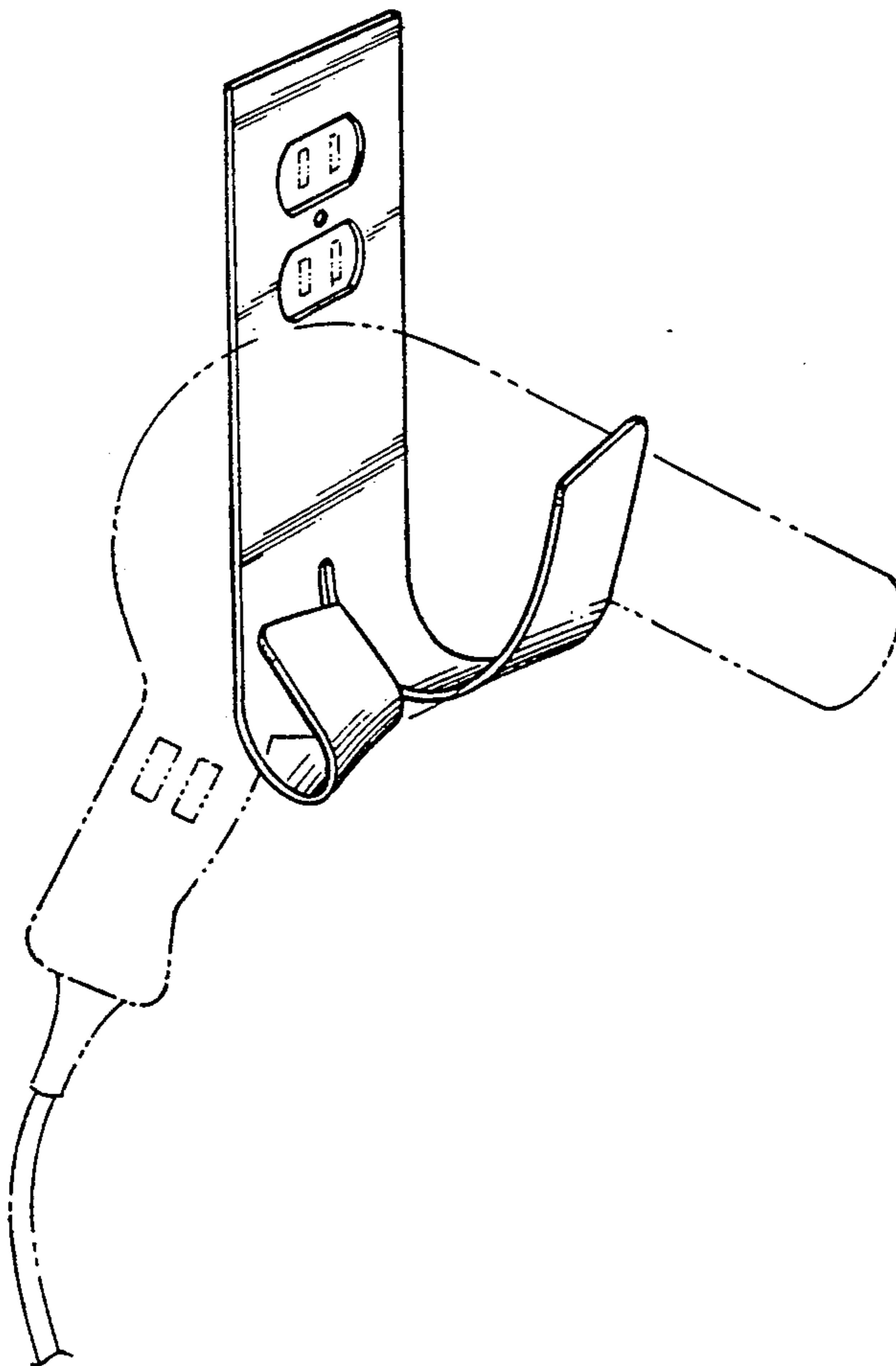
FIGS. 6 and 7 are respectively top plan and bottom plan views thereof.

[56] **References Cited**

**U.S. PATENT DOCUMENTS**

D. 70,560	7/1926	Hoegger .....	D6/323
D. 108,649	3/1938	Savaglio .....	D8/372 X
D. 144,009	2/1946	Van Doren .....	D6/323
D. 150,697	8/1948	Judd .....	D6/323
D. 195,124	4/1963	Clayton .....	D6/323
D. 241,222	8/1976	Edmonds .....	D12/115 X
D. 252,571	8/1976	Hancock .....	D6/526
1,308,869	7/1914	Rohmer .....	248/301

The broken line showing of a hand appliance with fragmentary electric cord, and two small rectangular aperture outlines in the appliance, and two in the support in FIG. 1, is for illustrative purposes only, and forms no part of the claimed design.



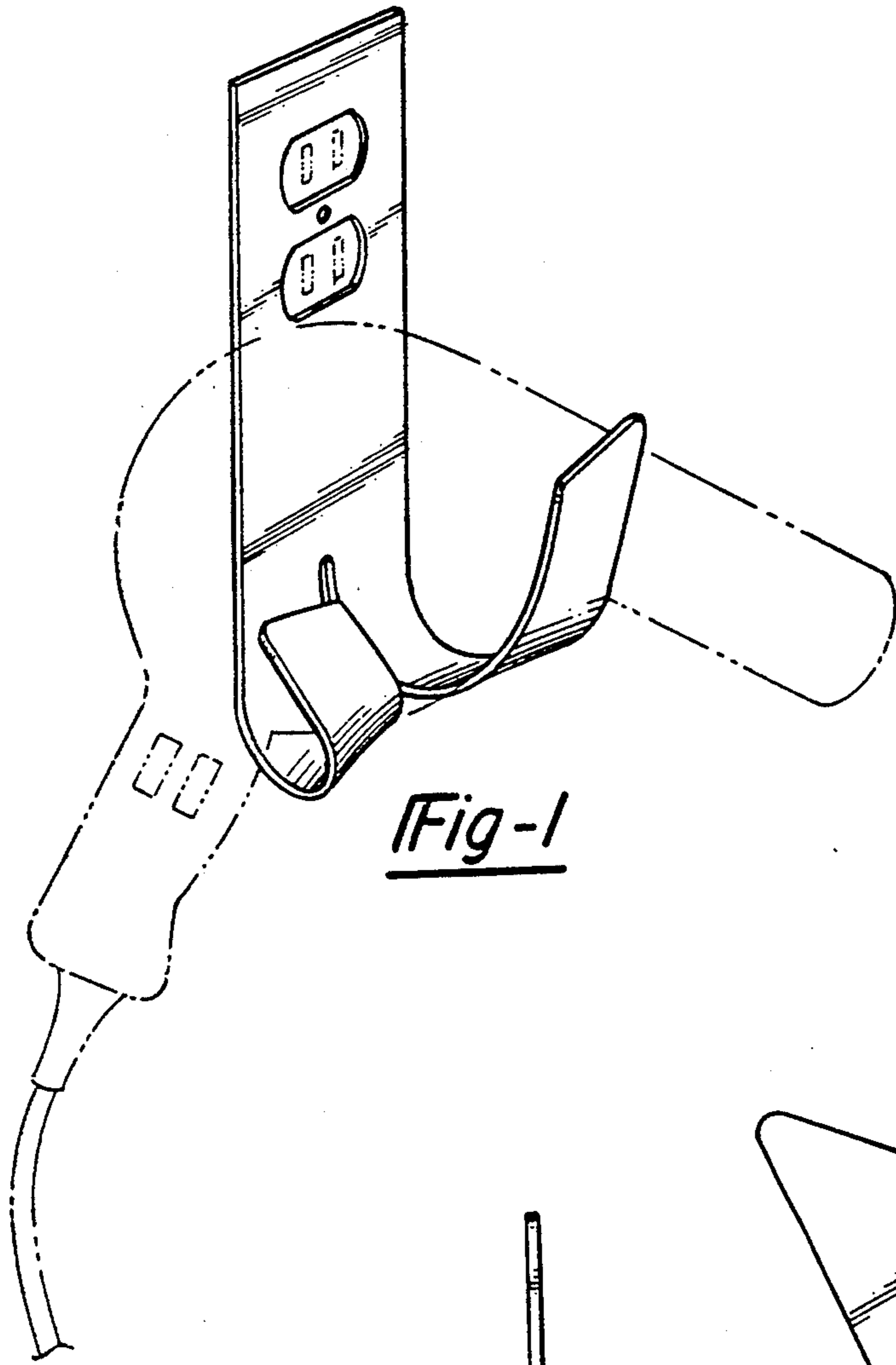


Fig-1

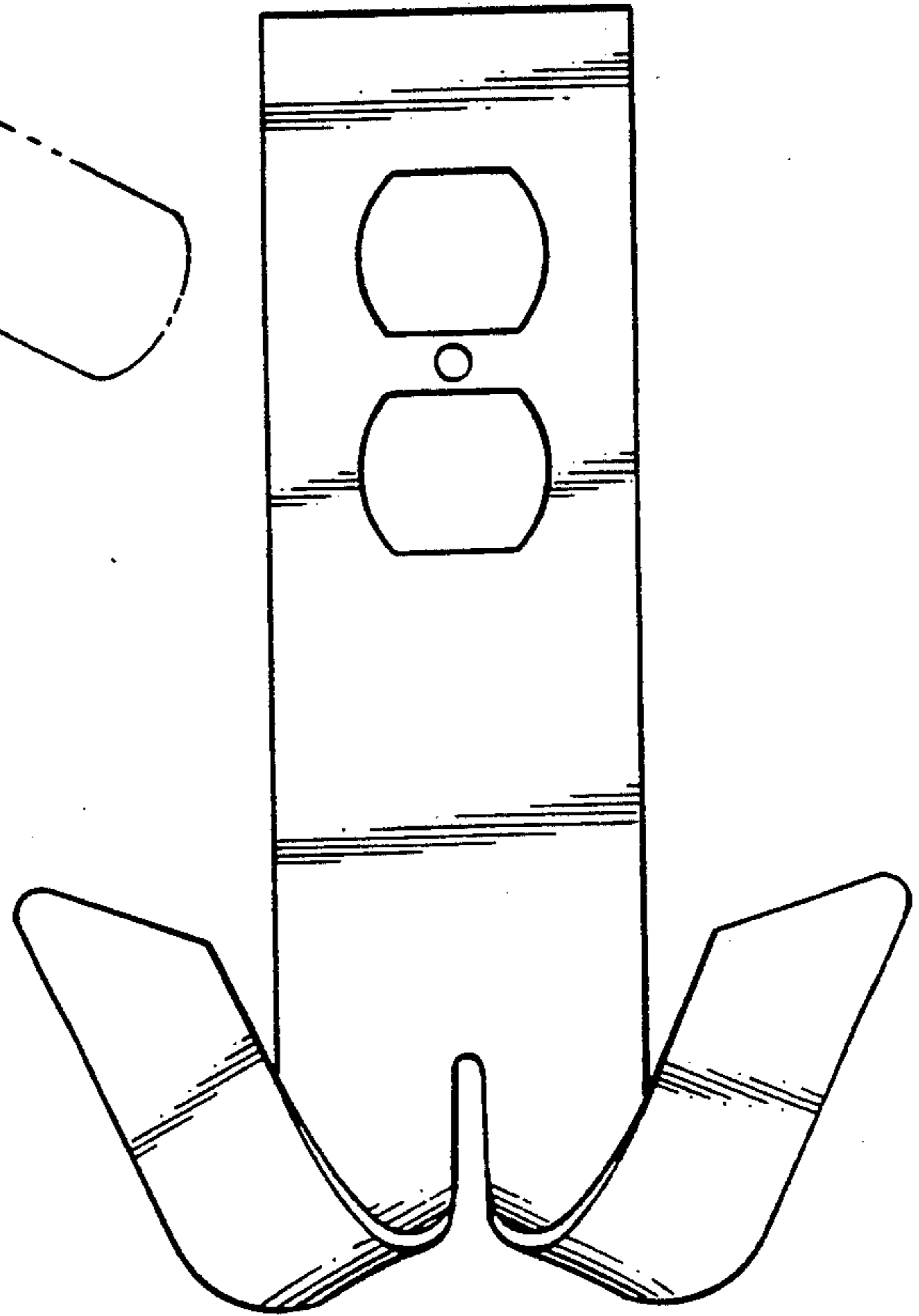
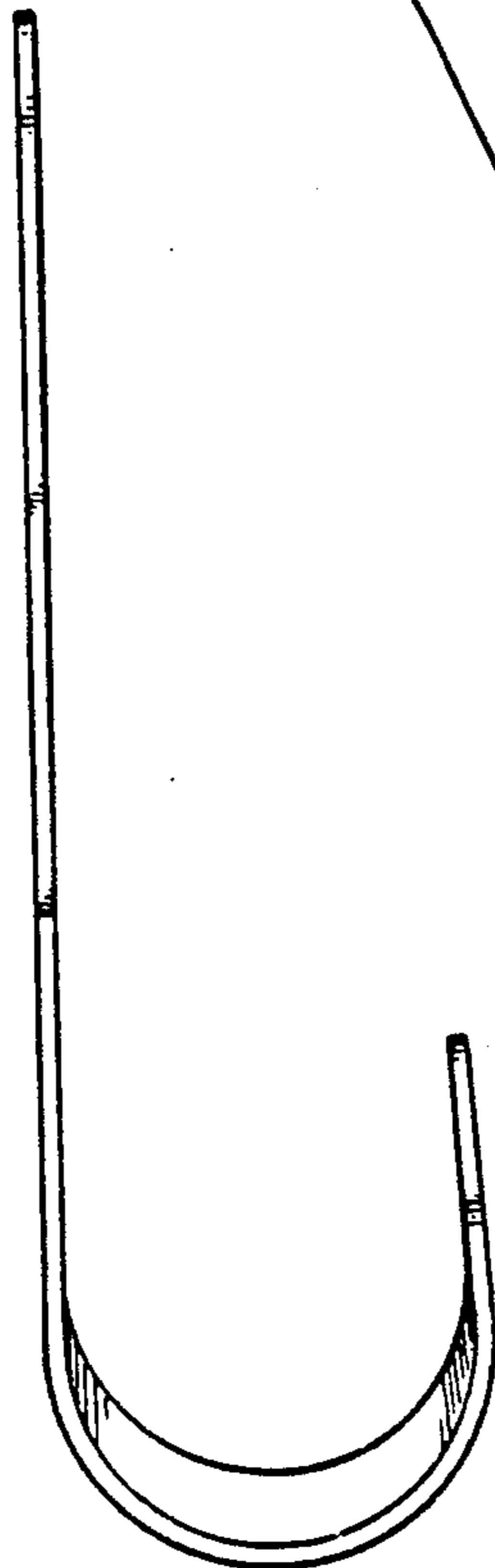


Fig-2

Fig-3



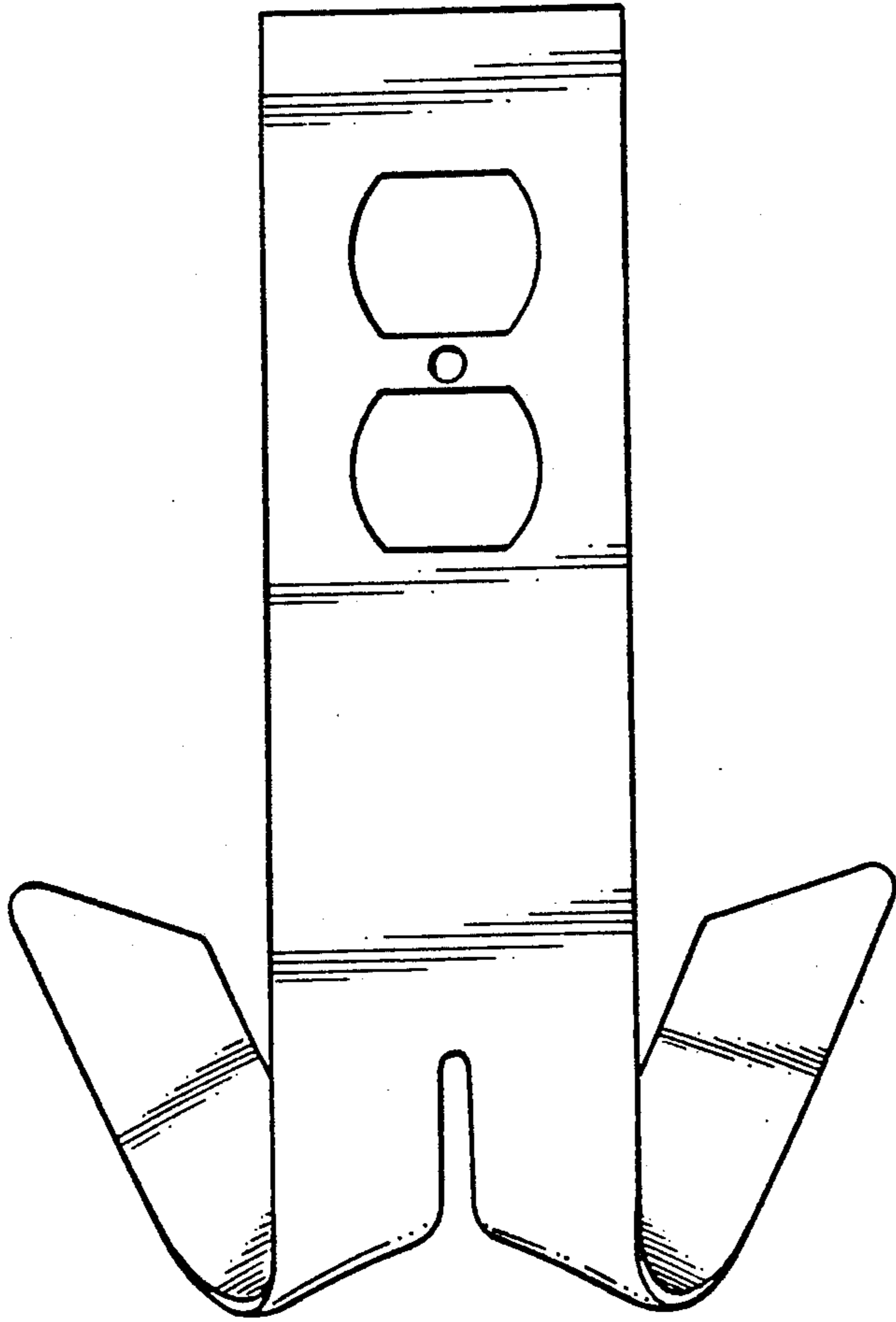


Fig-4

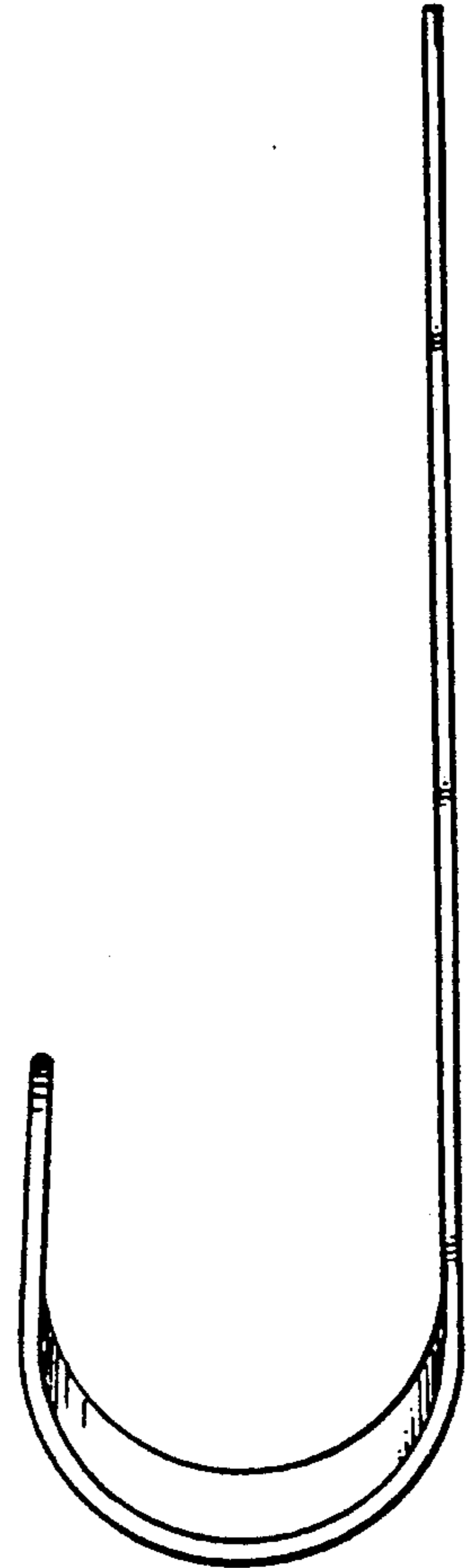


Fig-5

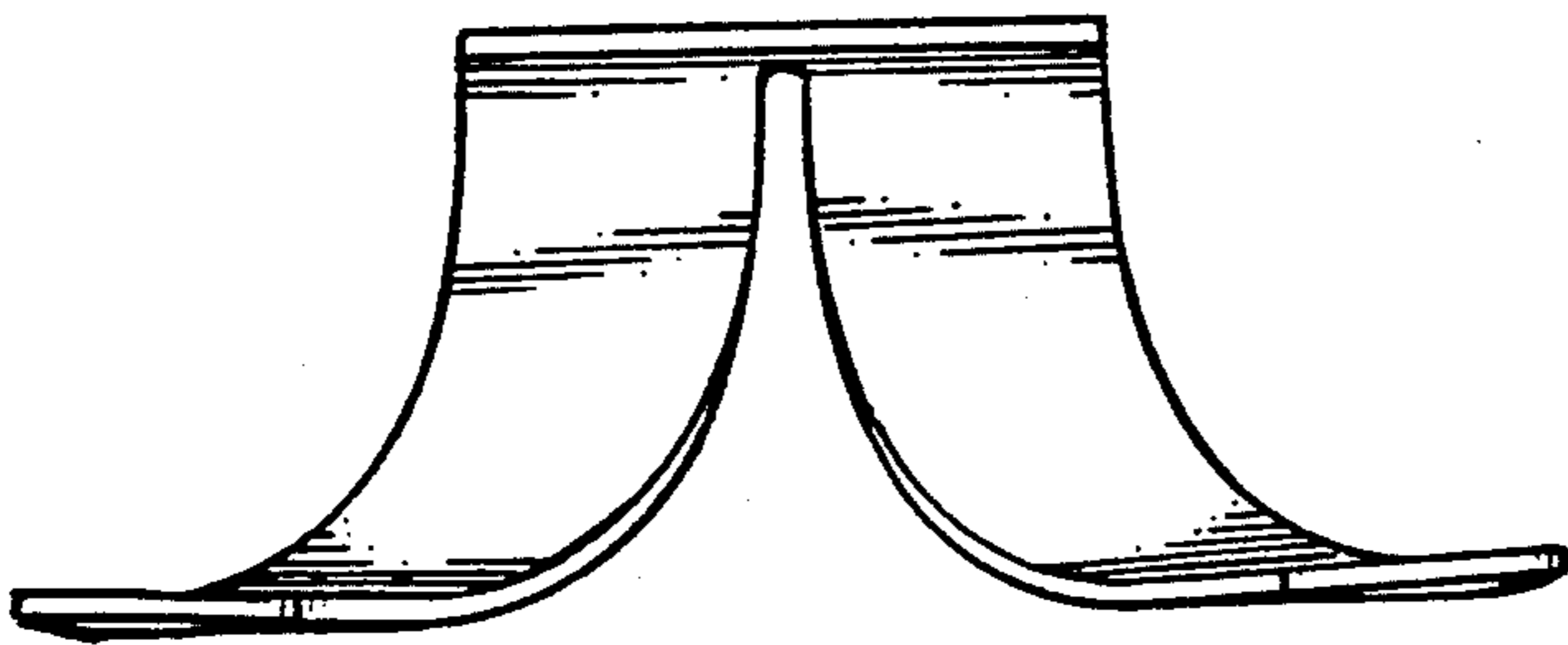


Fig-6

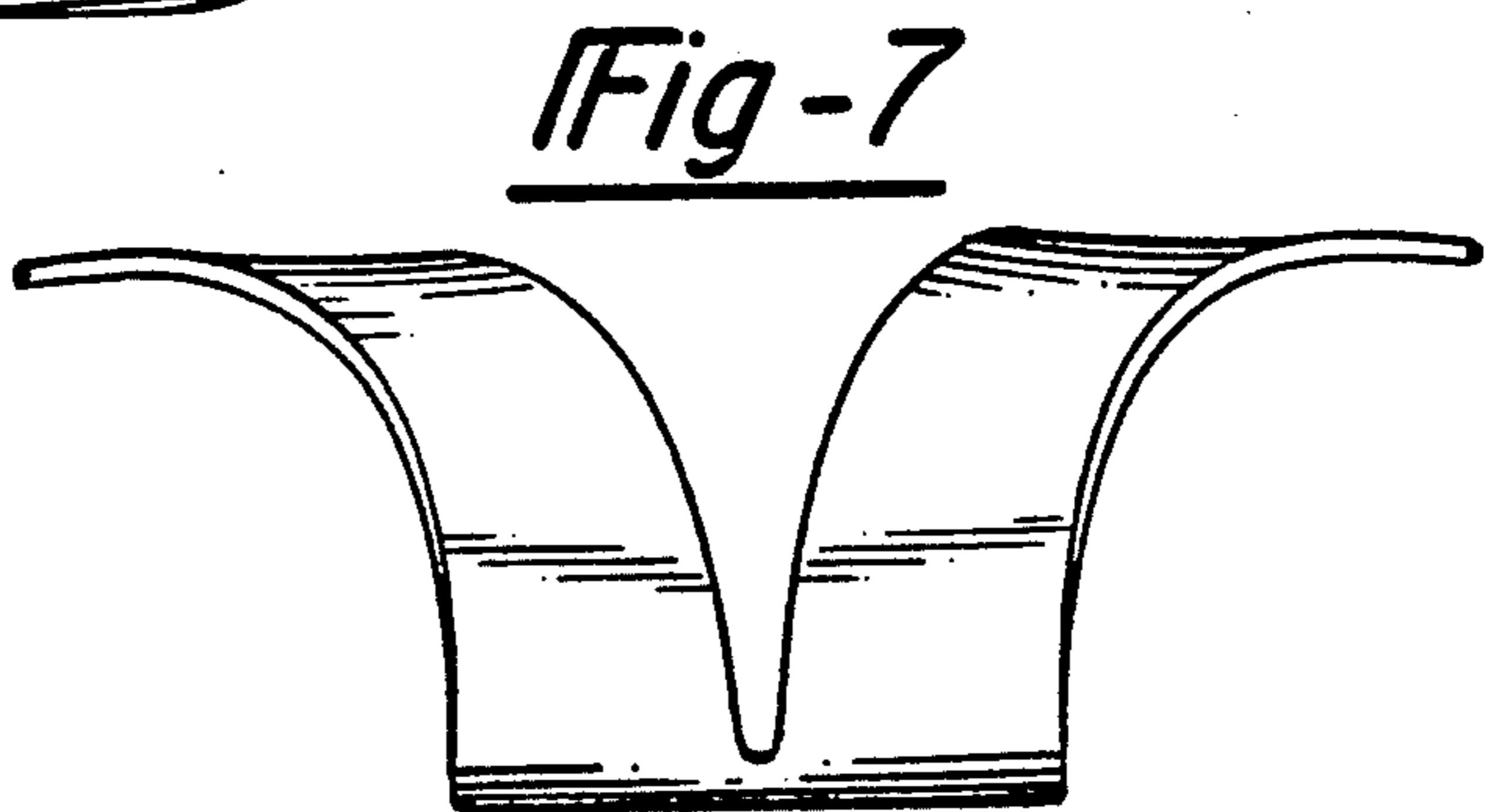


Fig-7