



US00D323284S

United States Patent [19]

[11] Patent Number: **Des. 323,284**

Thompson

[45] Date of Patent: **** Jan. 21, 1992**

[54] **CAR CLOTHES HANGER BRACKET**

[76] Inventor: **Norman H. Thompson, 1250 Ribbon St., Foster City, Calif. 94404**

[**] Term: **14 Years**

[21] Appl. No.: **351,612**

[22] Filed: **May 11, 1989**

[52] U.S. Cl. **D8/363; D6/320; D8/373**

[58] Field of Search **D6/320, 567, 569; D3/40; D8/373, 363; 211/105.1, 105.2, 123; 224/42.45 A, 42.46 A**

[56] **References Cited**

U.S. PATENT DOCUMENTS

D. 314,867	2/1991	Goodman et al.	D8/363
2,926,827	3/1960	Joseph	224/42.45 A
3,002,666	10/1961	Silverman	224/42.45
3,174,628	3/1965	Kirch, Jr.	211/105.2

3,275,161	9/1966	Robertson	211/87
3,435,957	4/1969	Lloyd	211/123
3,708,093	1/1973	Toms, II	224/42.45
4,316,547	2/1982	Varon	211/105.1
4,645,106	2/1987	Pawl	224/313
4,863,081	9/1989	Gabbert	224/42.46 A

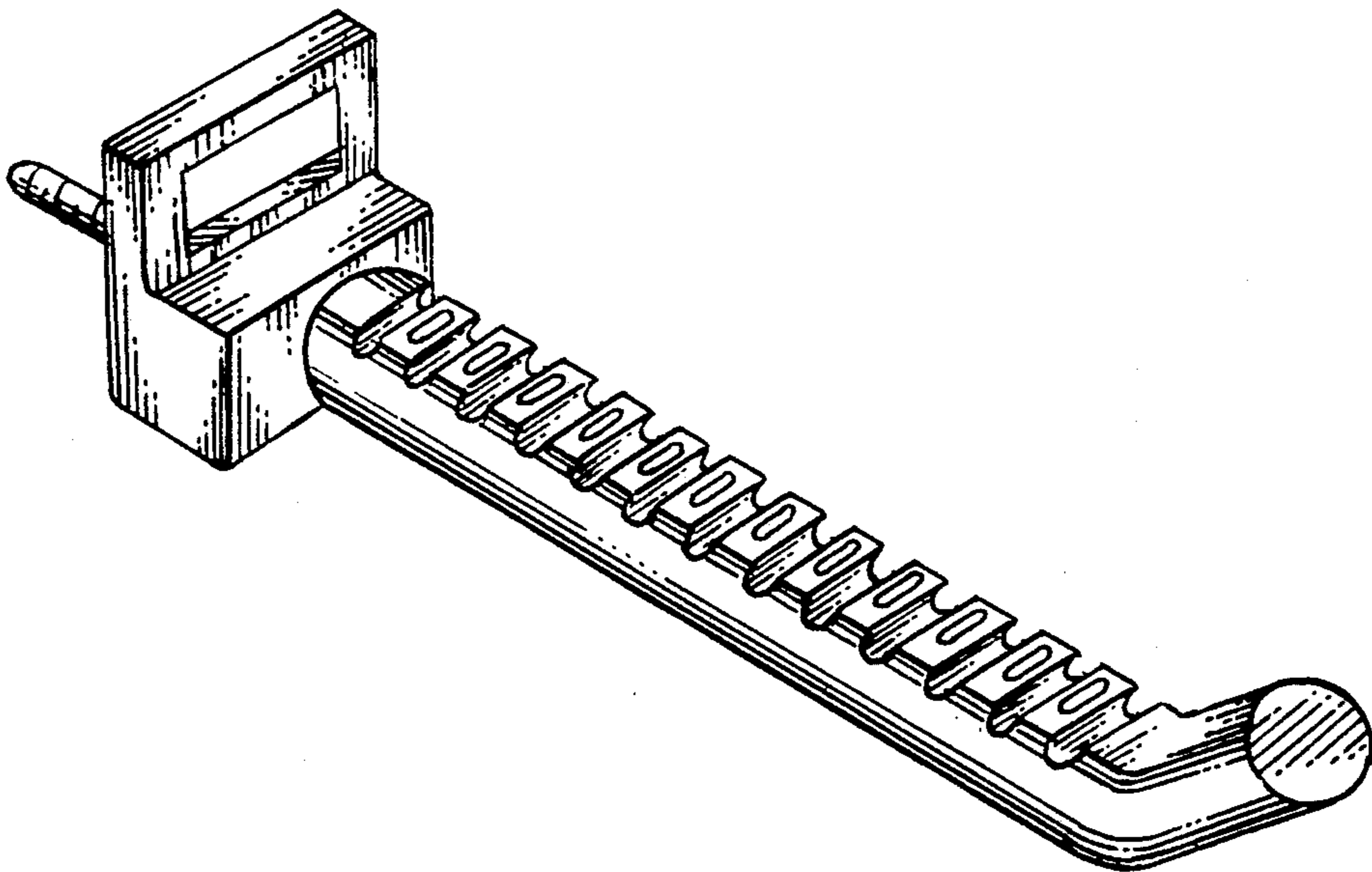
Primary Examiner—**B. J. Bullock**
Attorney, Agent, or Firm—**Henderson & Sturm**

[57] **CLAIM**

The ornamental design for a car clothes hanger bracket, as shown and described.

DESCRIPTION

FIG. 1 is a perspective view of a car clothes hanger bracket showing my new design;
FIG. 2 is a left side elevational view thereof, the right side being a mirror image;
FIG. 3 is a top plan view thereof;
FIG. 4 is a bottom plan view thereof;
FIG. 5 is a rear elevational view thereof; and
FIG. 6 is a front elevational view thereof.



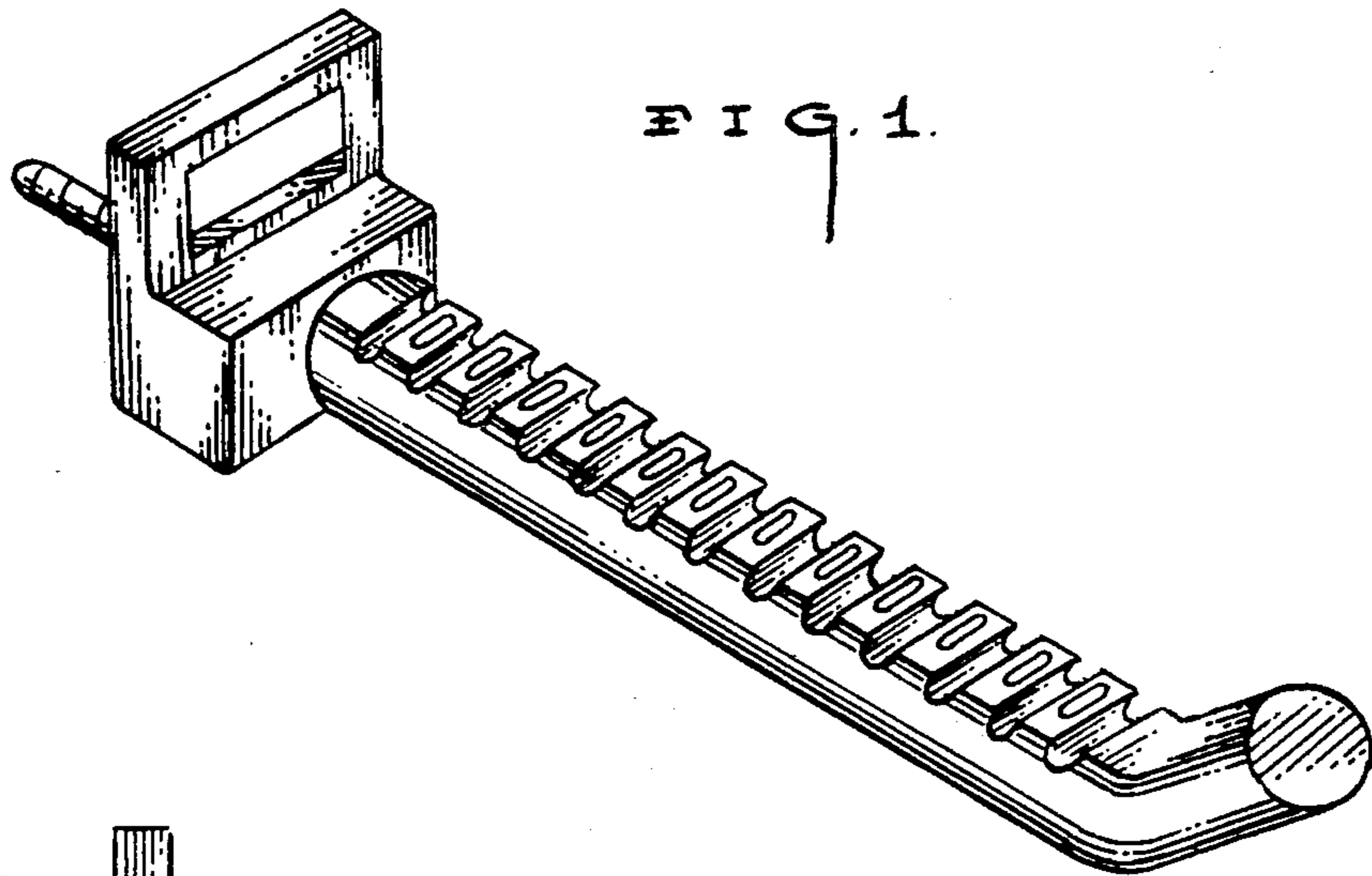


FIG. 1.

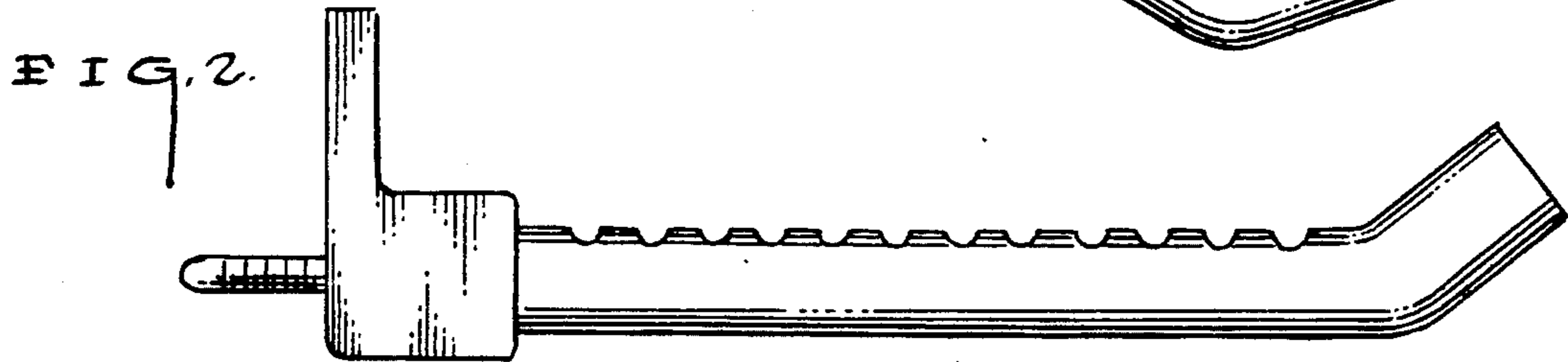


FIG. 2.

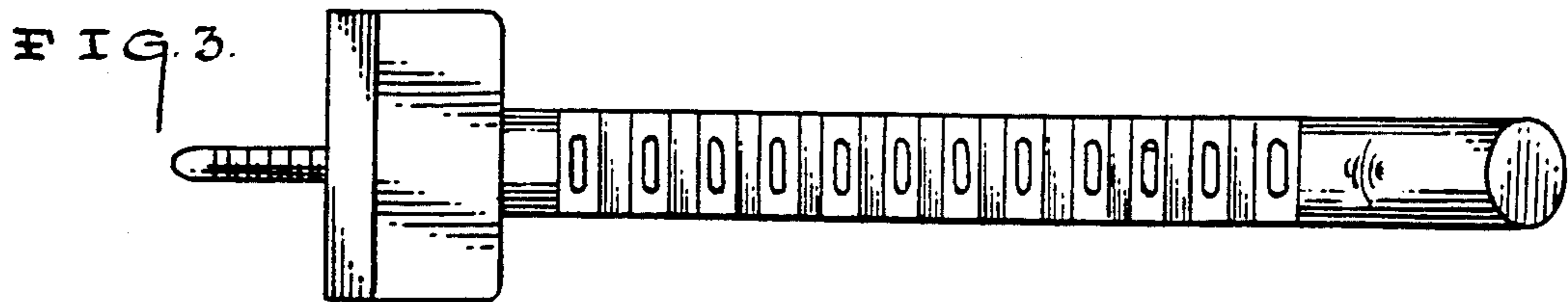


FIG. 3.

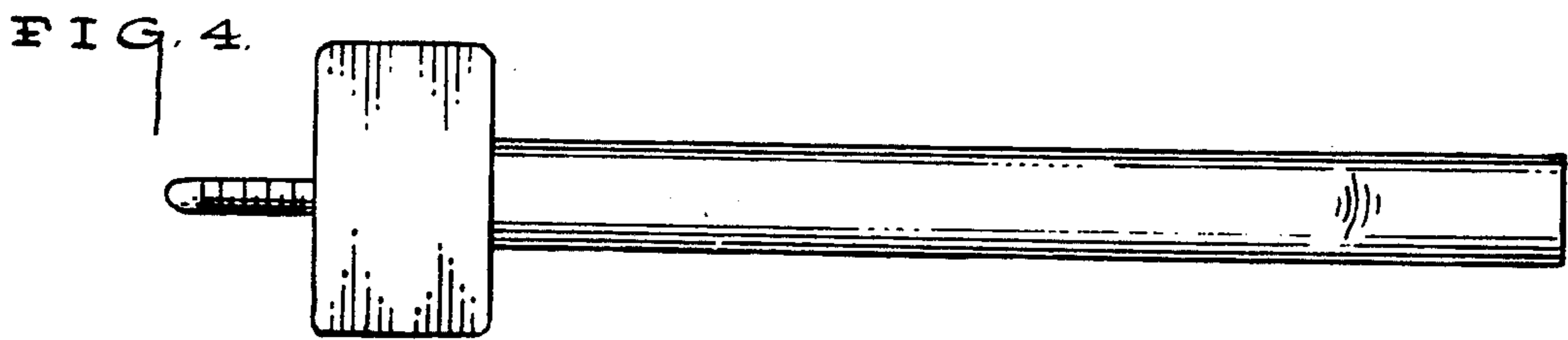


FIG. 4.

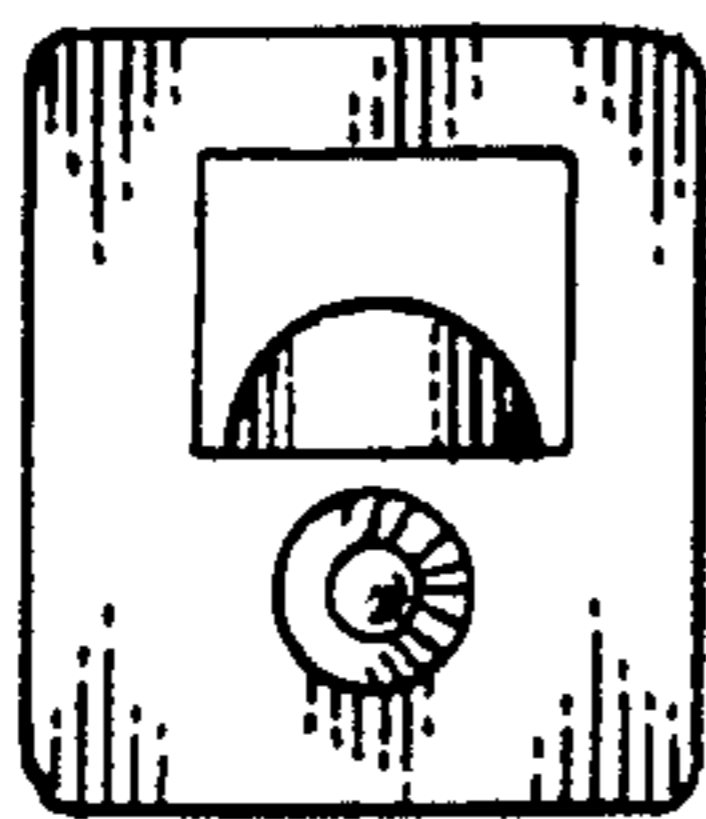


FIG. 5.

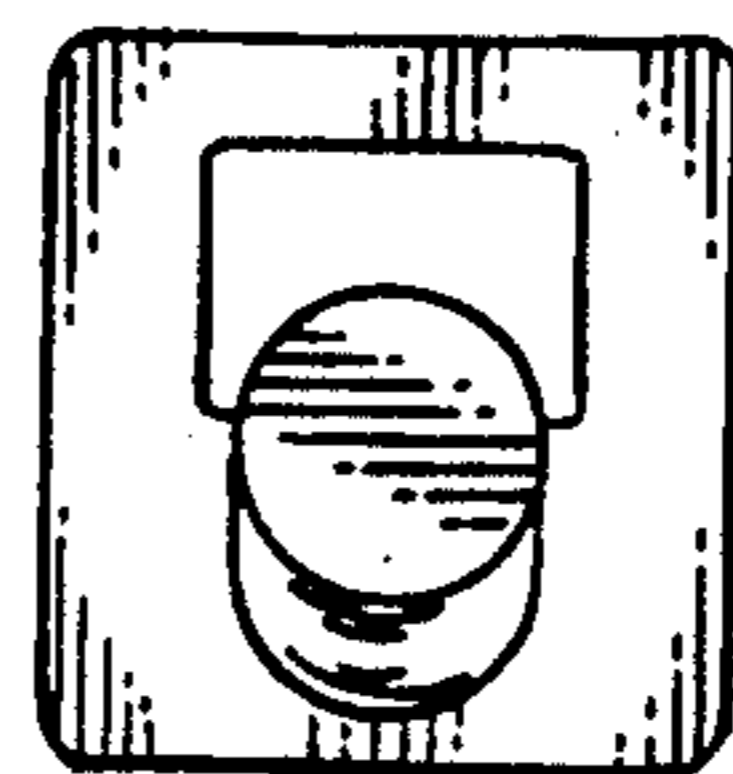


FIG. 6.