



US00D323277S

# United States Patent [19]

[11] Patent Number: **Des. 323,277**

**Kruger et al.**

[45] Date of Patent: **\*\* Jan. 21, 1992**

[54] **WRENCH SOCKET DISPENSER**

D. 316,330	4/1991	Vicento .....	D3/30.1
1,955,835	4/1934	Samstag .....	220/350
2,078,665	4/1937	Horsley .....	220/350
4,465,187	8/1984	Kinard et al. ....	220/350
4,941,570	7/1990	Krüger et al. ....	206/376

[75] Inventors: **Kurt J. Kruger, Milford; John T. Loechner, Westport, both of Conn.**

[73] Assignee: **Easco Hand Tools, Inc., Lancaster, Pa.**

[\*\*] Term: **14 Years**

*Primary Examiner*—Nelson C. Holtje  
*Assistant Examiner*—J. H. Musgrove  
*Attorney, Agent, or Firm*—Leonard Bloom

[21] Appl. No.: **340,585**

[57] **CLAIM**

[22] Filed: **Apr. 19, 1989**

The ornamental design for a wrench socket dispenser, as shown and described.

[52] U.S. Cl. .... **D8/71**

[58] Field of Search ..... **D3/30.1; D8/71; D9/337, D9/338; 206/378, 376, 367; 220/350; 221/91**

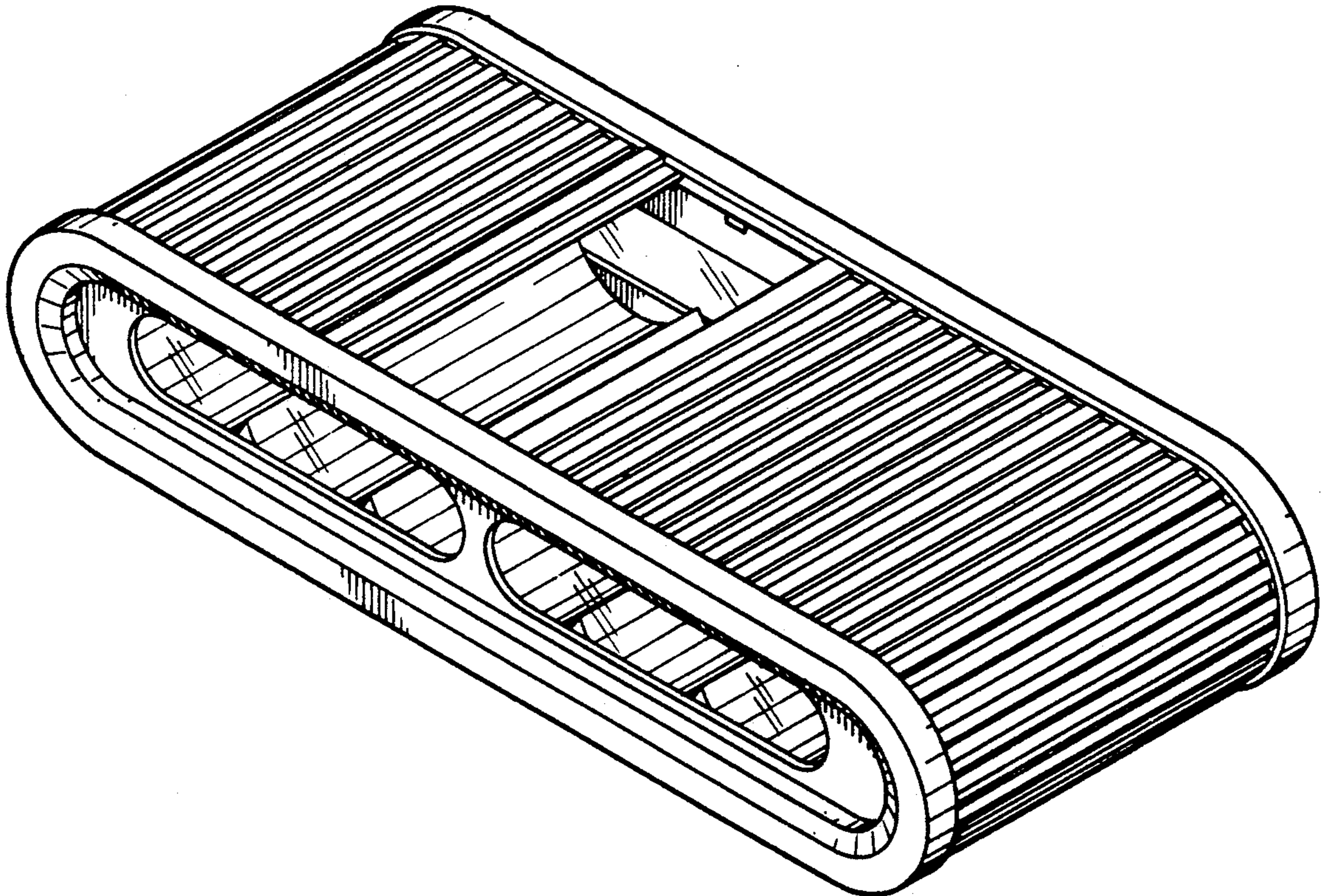
**DESCRIPTION**

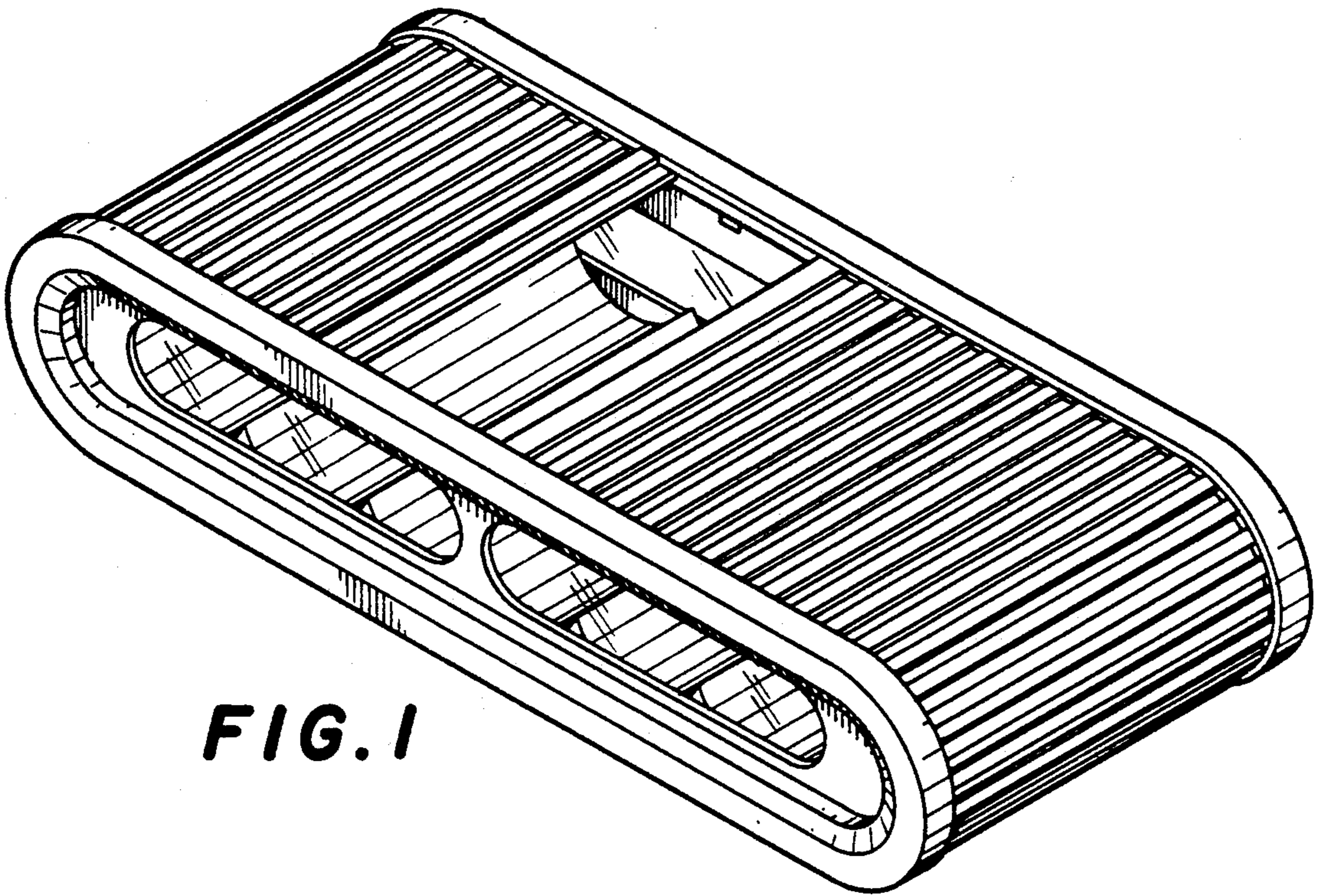
[56] **References Cited**

FIG. 1 is a front, top and right side perspective view of a wrench socket dispenser showing our new design; FIG. 2 is a rear elevational view; FIG. 3 is a left side elevational view; FIG. 4 is a bottom plan view; and FIG. 5 is a front, top and right side perspective view showing the opening in an alternate position.

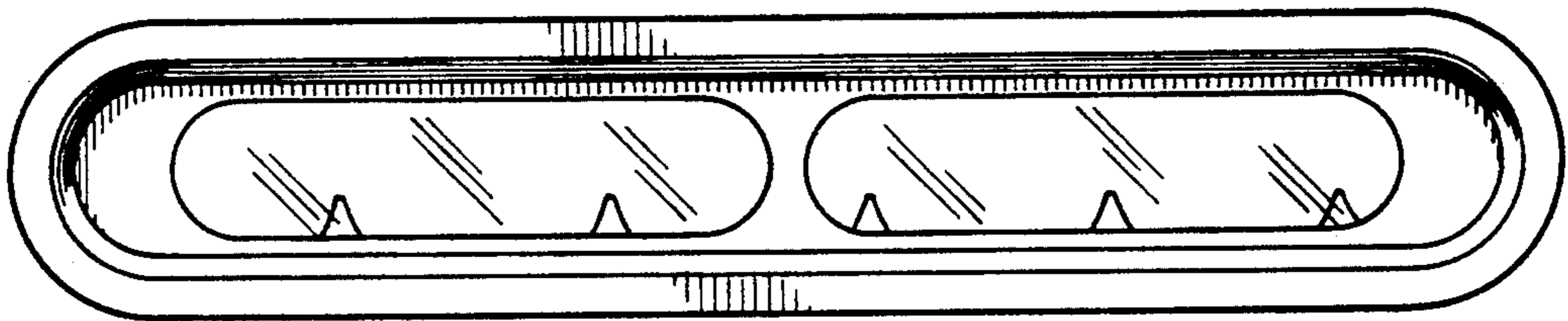
**U.S. PATENT DOCUMENTS**

D. 225,272	11/1972	Wheeler .....	D8/71
D. 256,425	8/1980	Hayes .....	D8/71
D. 298,679	11/1988	Casini .....	D99/34
D. 316,329	4/1991	Vicento .....	D3/30.1

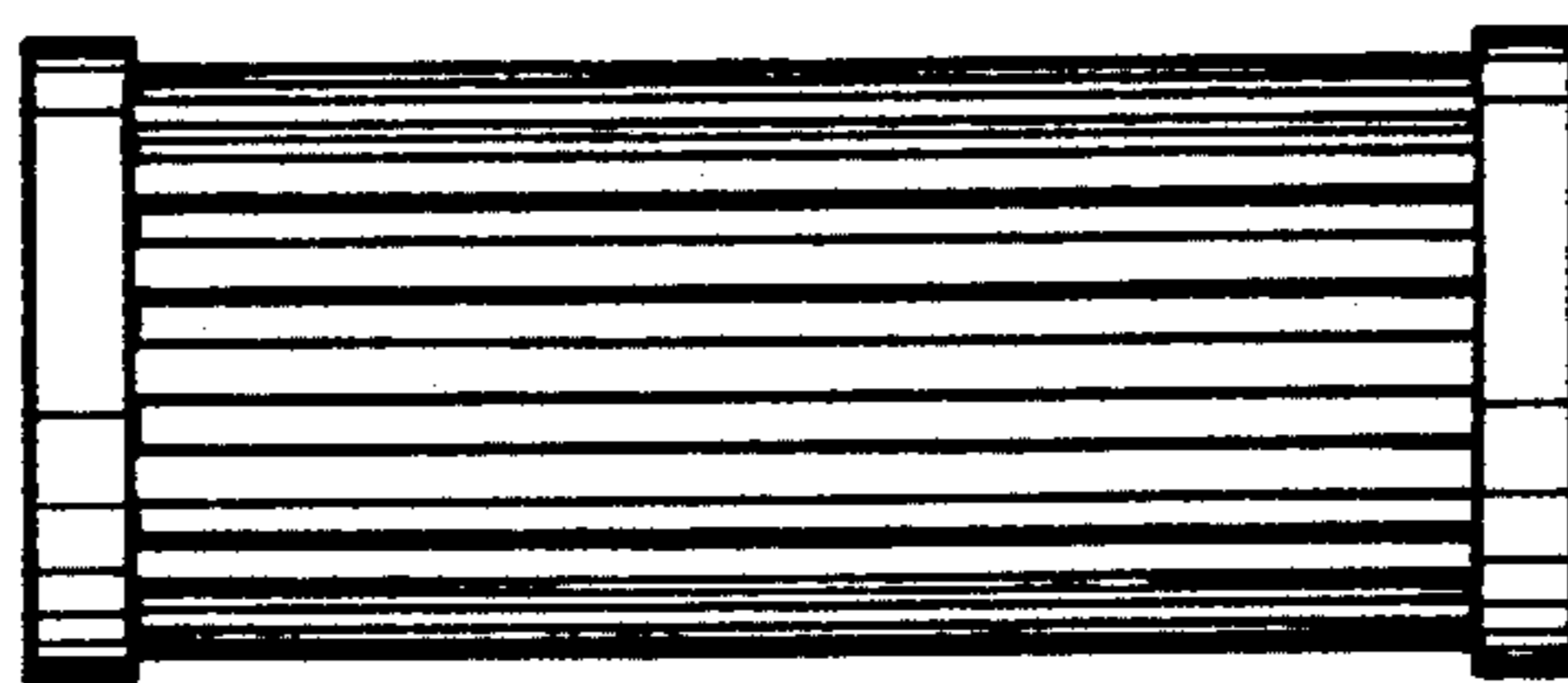




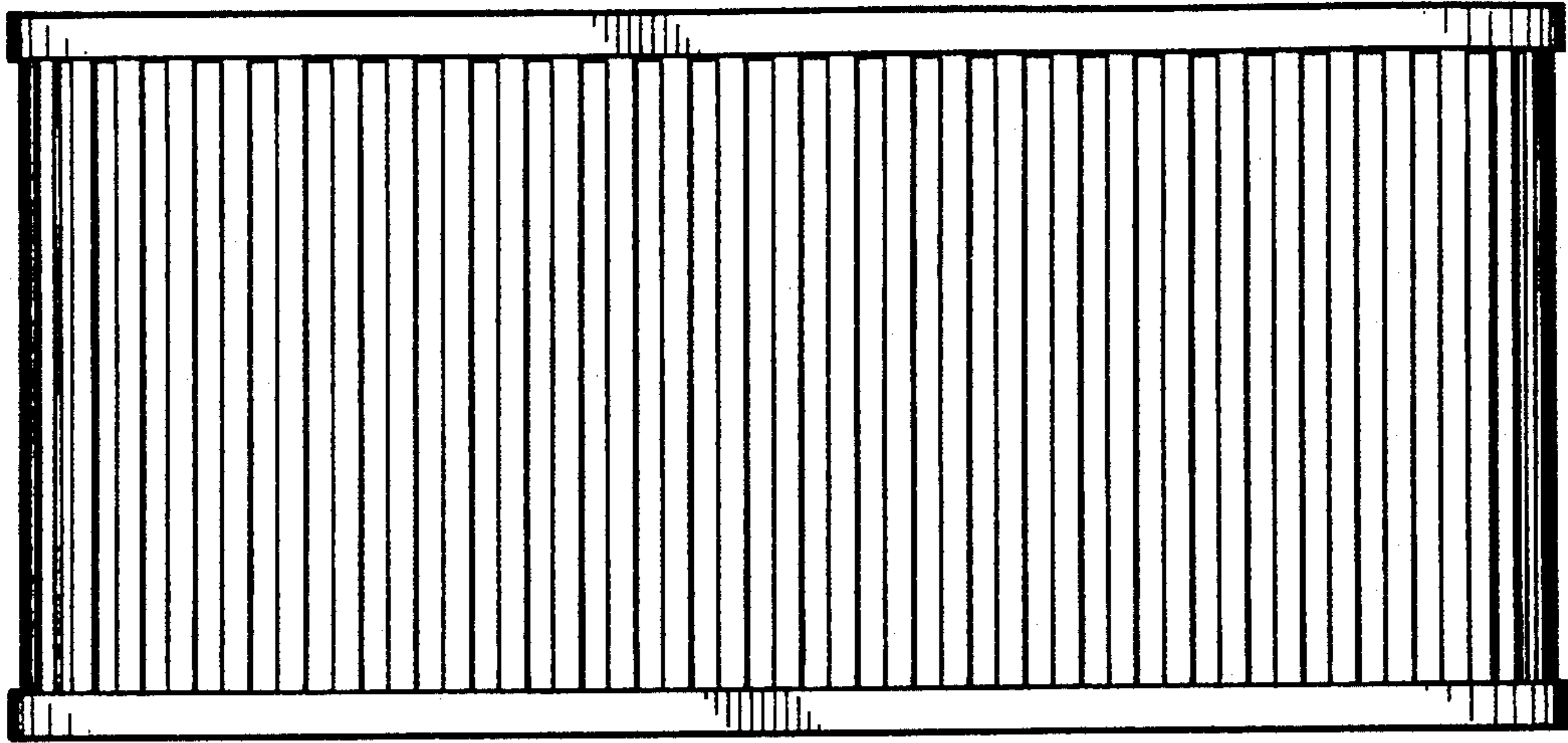
**FIG. 1**



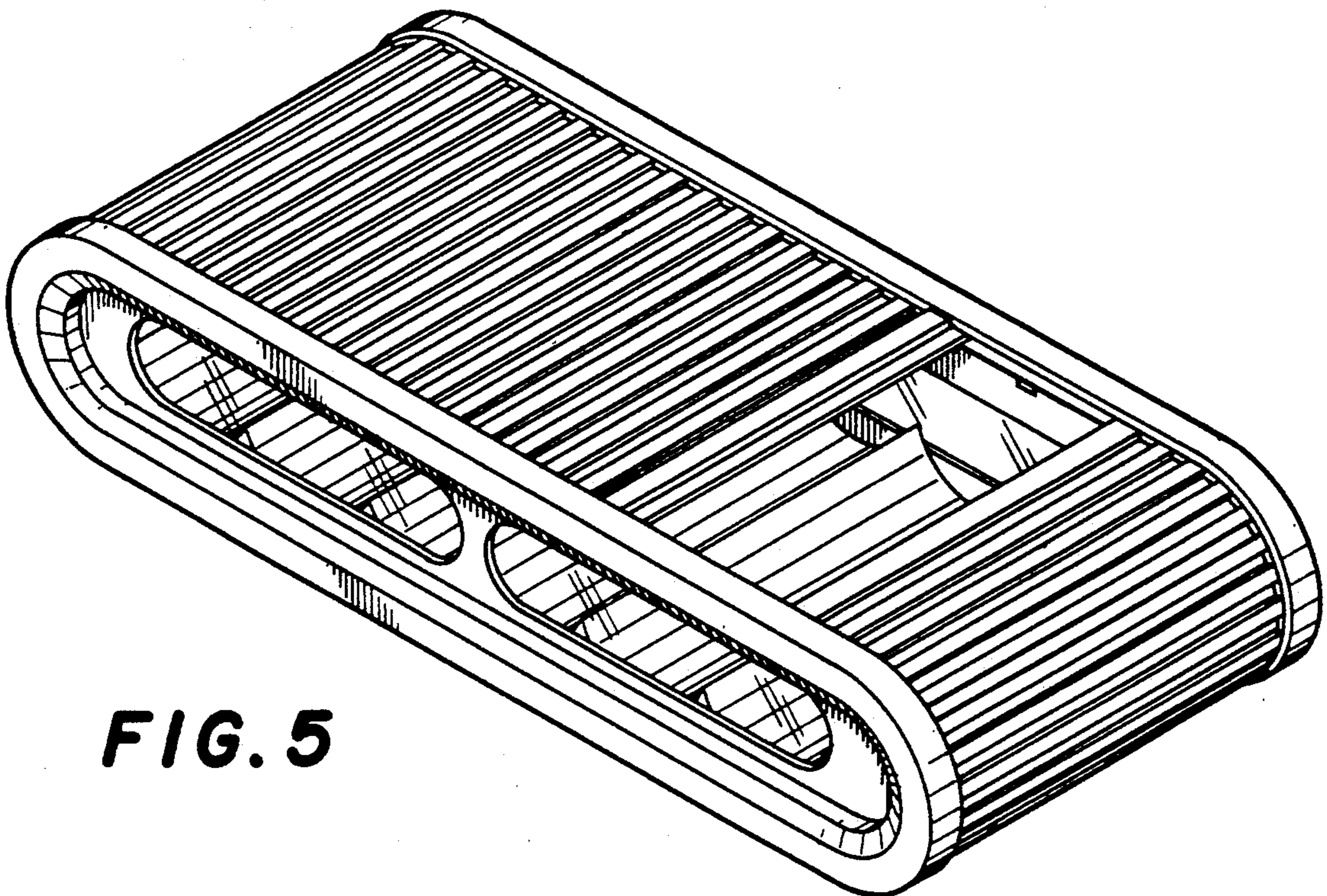
**FIG. 2**



**FIG. 3**



**FIG. 4**



**FIG. 5**