



US00D323272S

United States Patent [19]

Dion

[11] Patent Number: **Des. 323,272**

[45] Date of Patent: **** Jan. 21, 1992**

[54] NAILER

[76] Inventor: **Jena-Paul Dion, 327 - 21st Street, Quebec, Canada, G1L 1Y6**

[**] Term: **14 Years**

[21] Appl. No.: **254,831**

[22] Filed: **Sep. 30, 1988**

[52] U.S. Cl. **D8/49**

[58] Field of Search **D8/61, 49, 68, 51-50; 227/120, 131, 130, 132; 81/54, 57.11, 57.14**

[56] **References Cited**

U.S. PATENT DOCUMENTS

D. 260,354	8/1981	Proops et al.	D8/61
D. 266,221	9/1982	Ewig	D8/61
D. 282,345	1/1986	Fehrs	D8/61
3,797,723	3/1974	Perkins et al.	D8/61 X
3,893,610	7/1925	Smith	D8/61 X
3,905,535	9/1975	Novak et al.	D8/61 X

OTHER PUBLICATIONS

Duo-Fast Cat. dated 10-3-67, p. 21, "Strike Tacker".

Primary Examiner—Nelson C. Holtje

Assistant Examiner—J. H. Musgrove

Attorney, Agent, or Firm—Pierre Lespérance

[57] **CLAIM**

The ornamental design for a nailer, as shown and described.

DESCRIPTION

FIG. 1 is a front top-right perspective view of a nailer showing my new design;

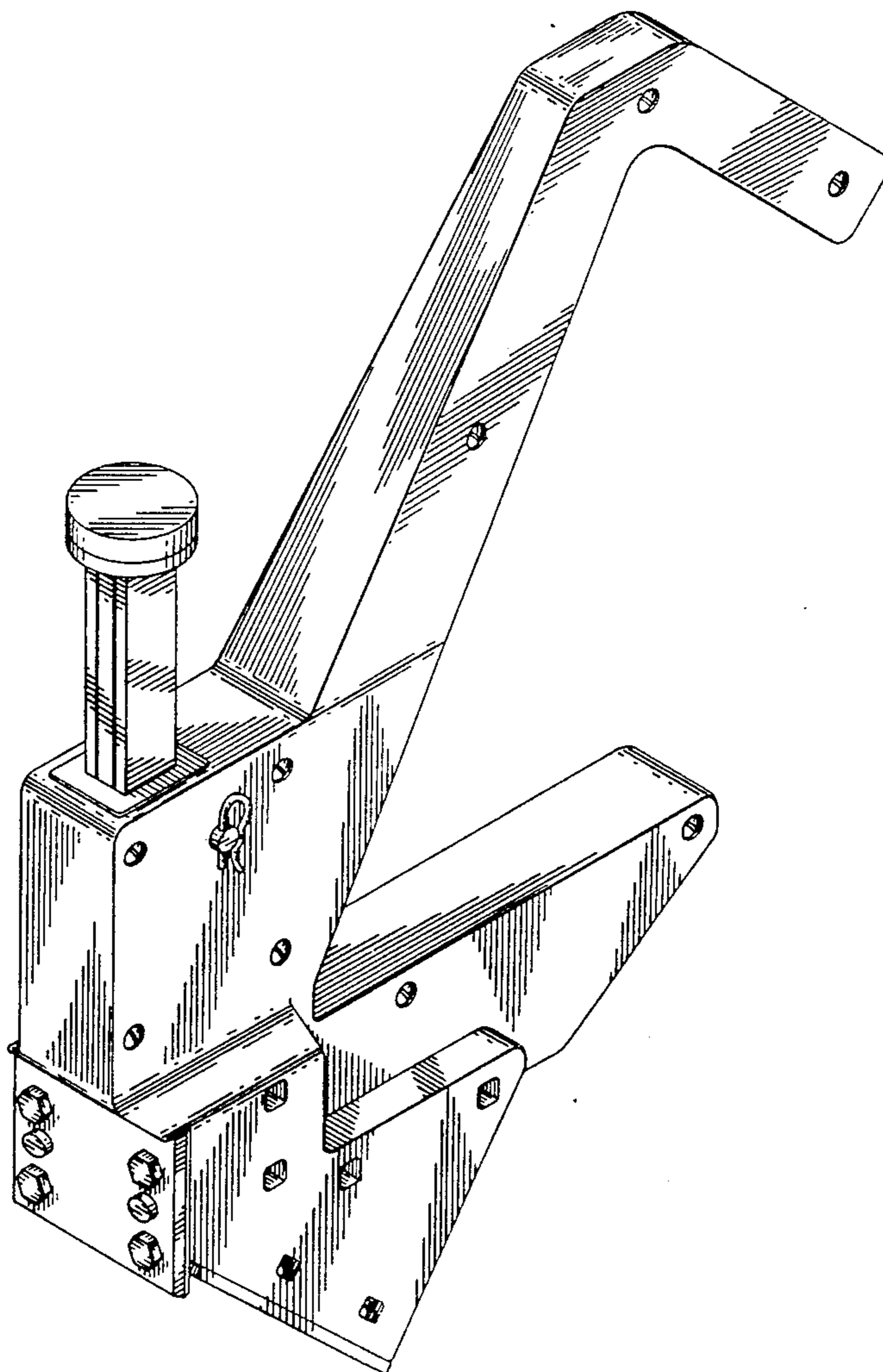
FIG. 2 is a front elevational view; the rear surface being plain and unornamented;

FIG. 3 is a left side elevational view;

FIG. 4 is a front top-right perspective view of a second embodiment of my new design of FIGS. 1-3;

FIG. 5 is a front elevational view; the rear surface being plain and unornamented; and

FIG. 6 is a left side elevational view thereof.



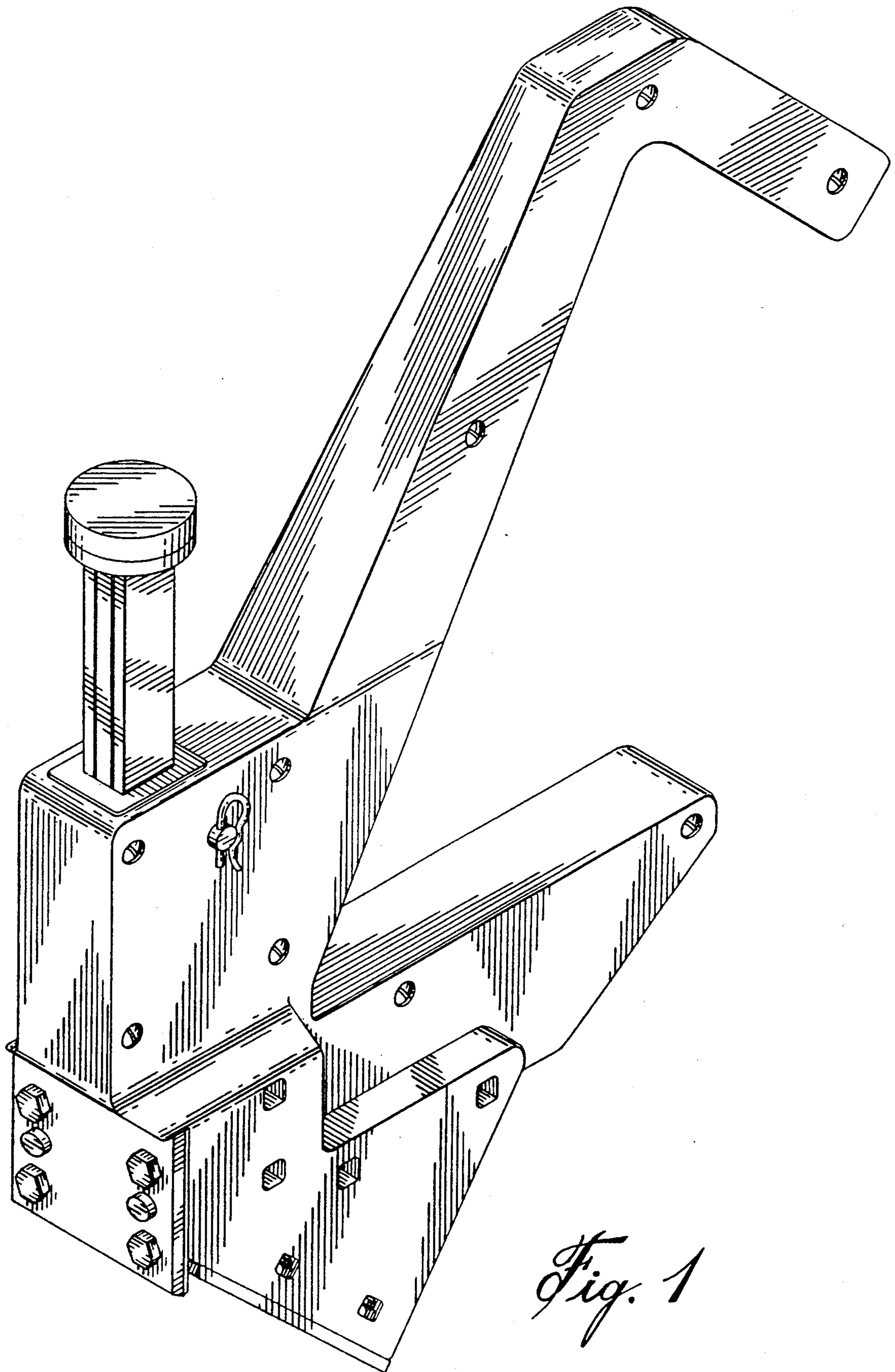


Fig. 1

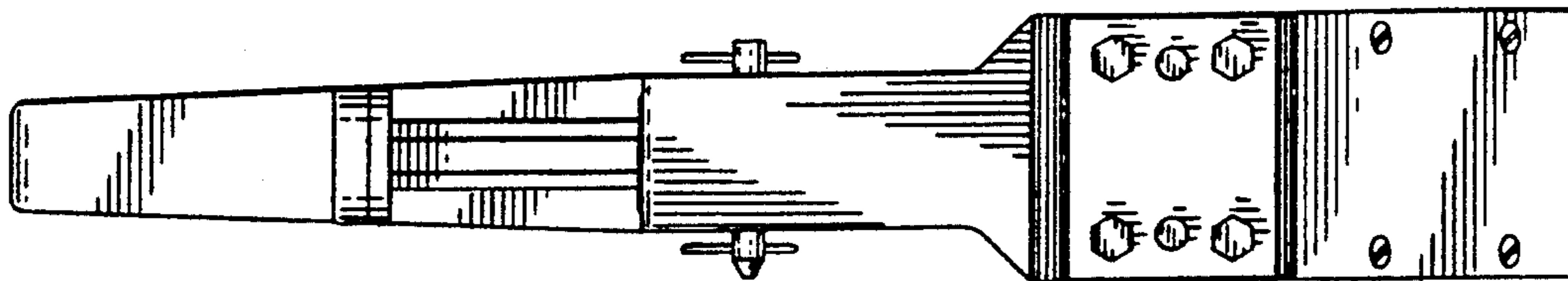


Fig. 2

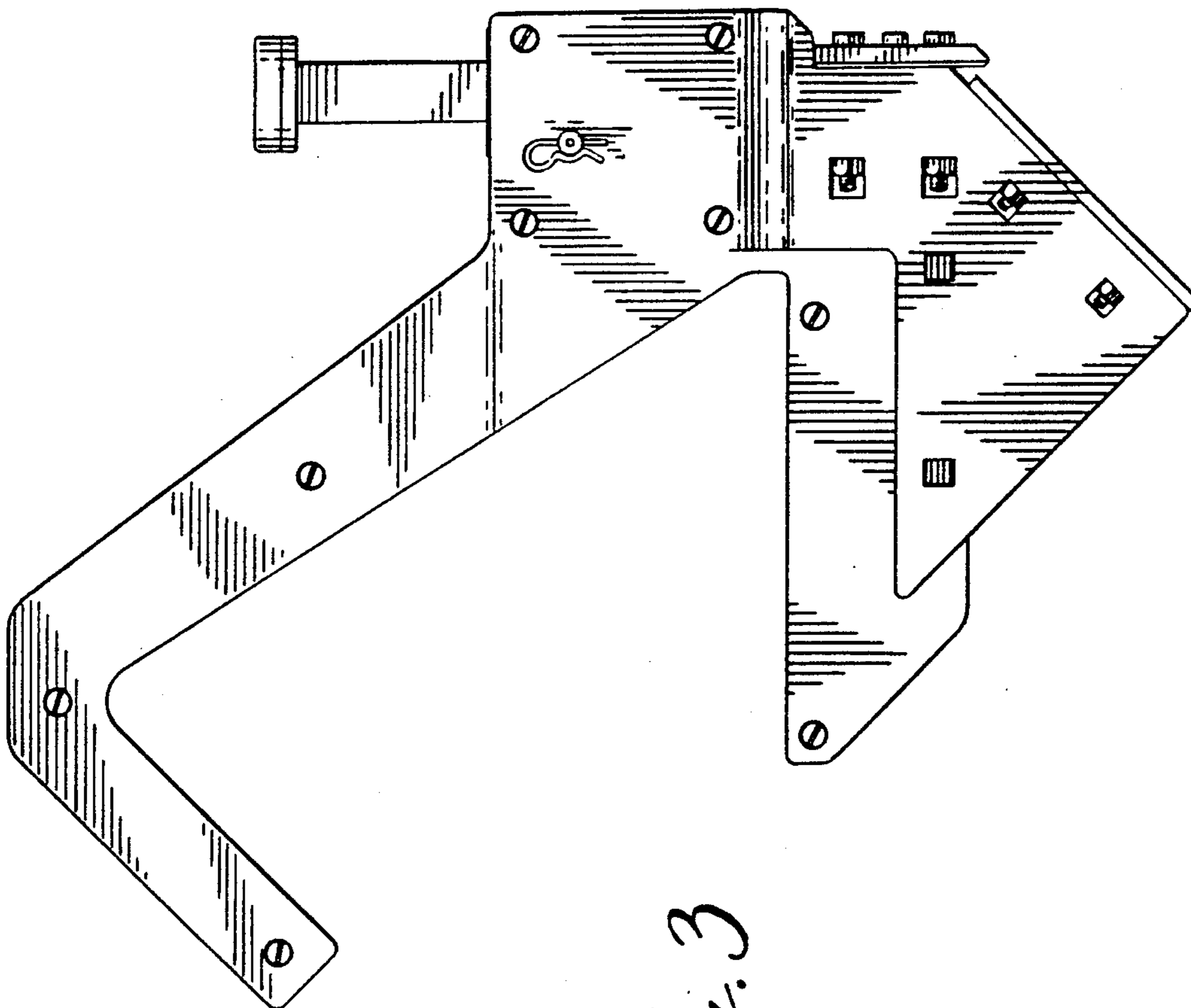


Fig. 3

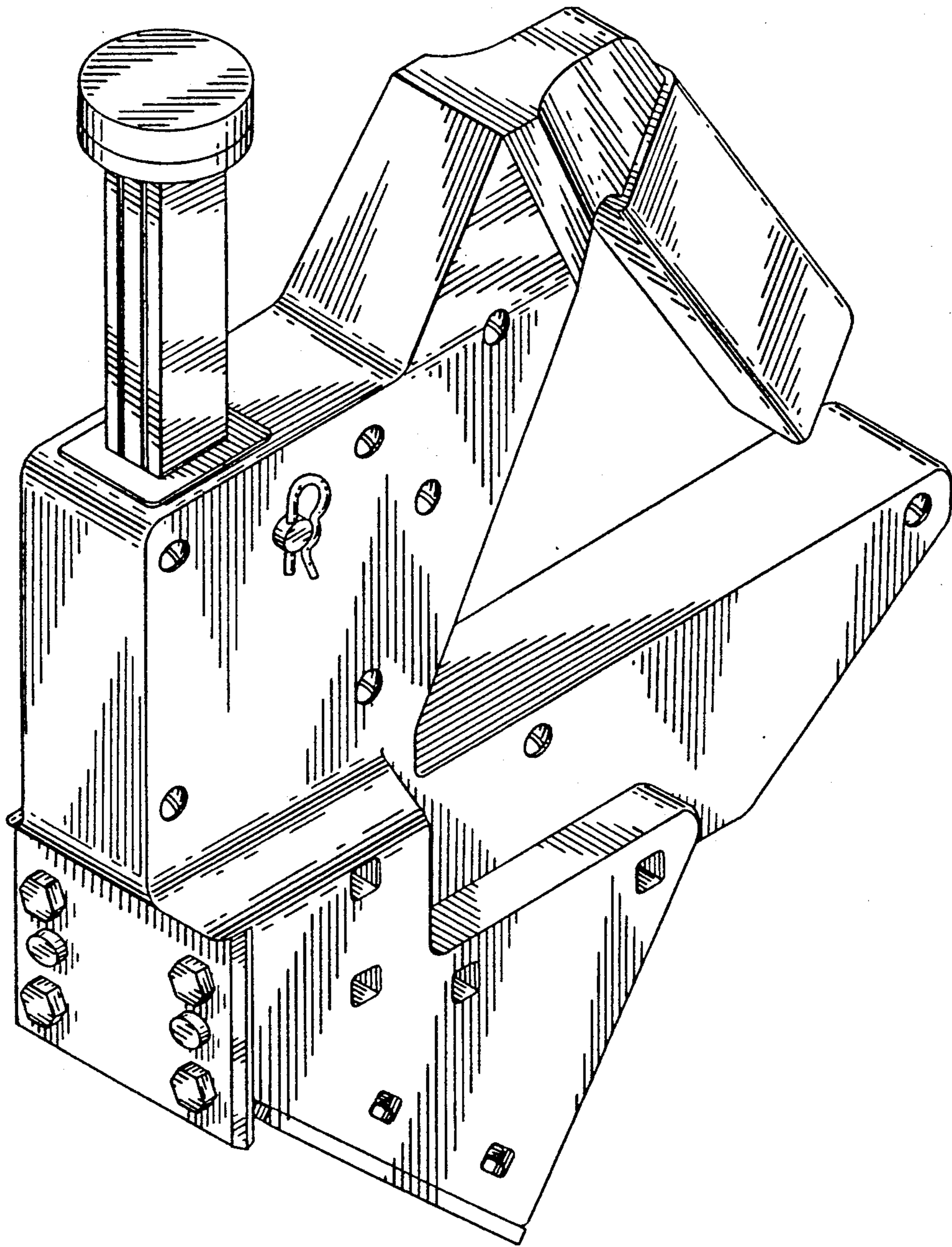


Fig. 4

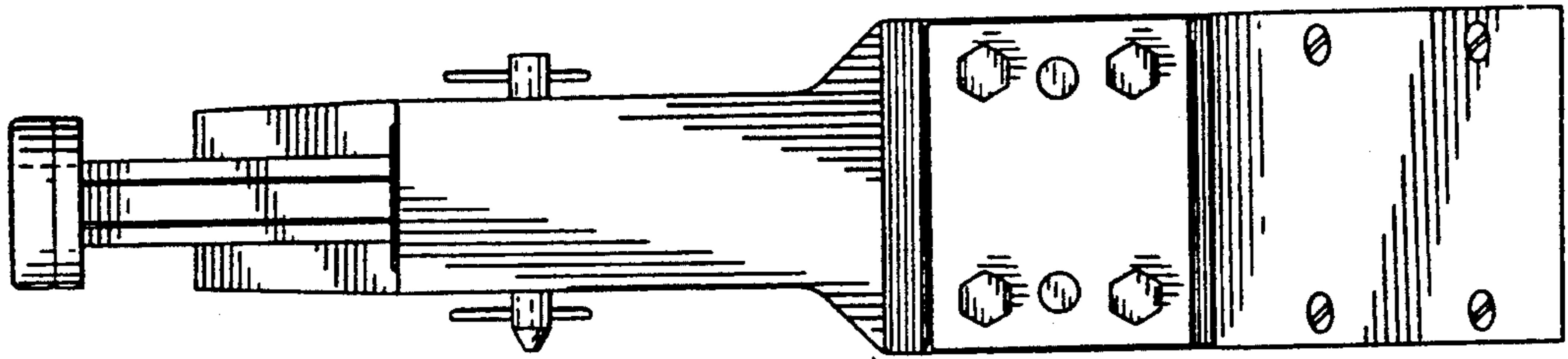


Fig. 5

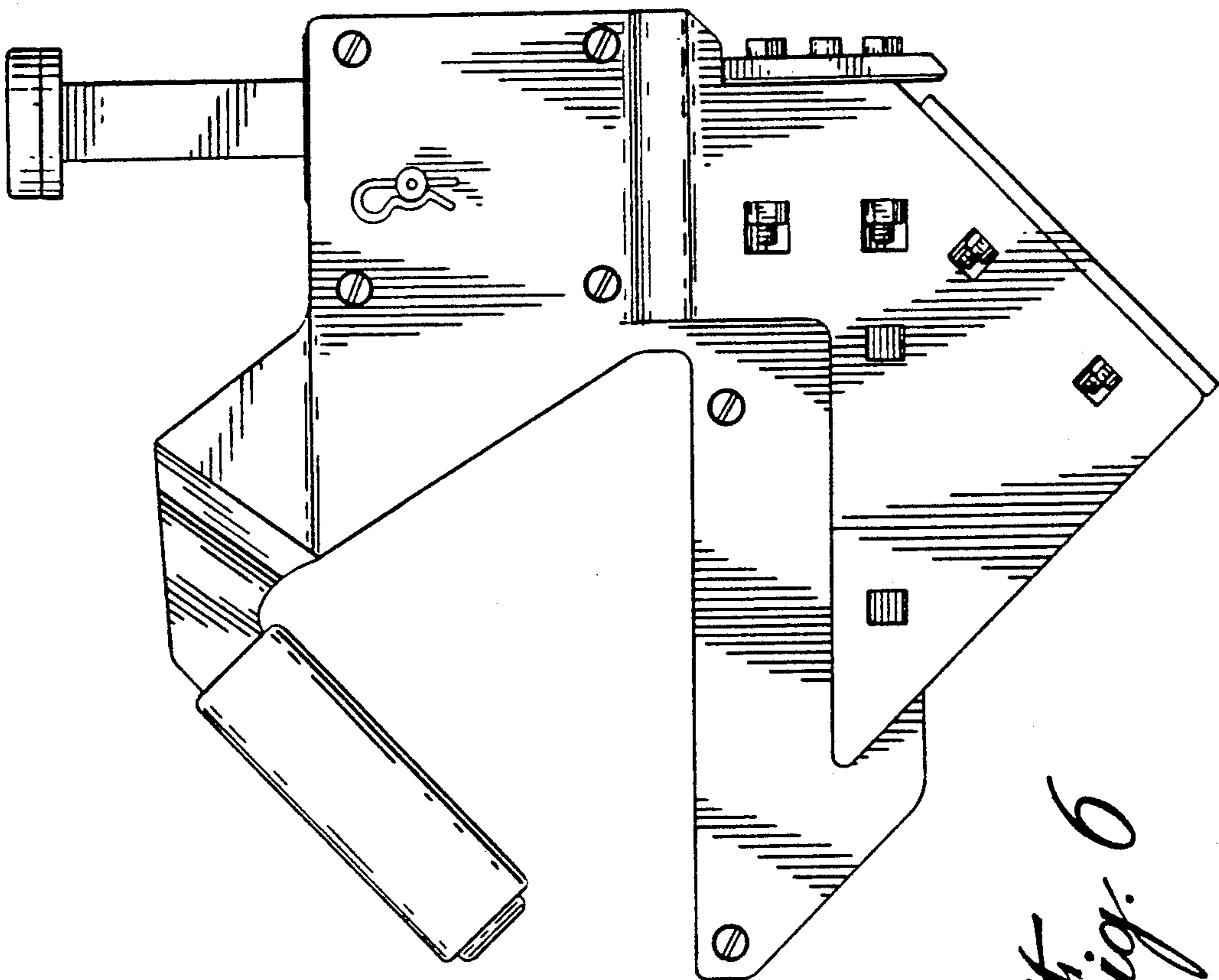


Fig. 6