



US00D323269S

United States Patent [19]

[11] Patent Number: **Des. 323,269**

Kelly et al.

[45] Date of Patent: **** Jan. 21, 1992**

[54] CAULKING GUN CARTRIDGE NOZZLE

[75] Inventors: **George C. Kelly; Rolan J. Goyer,**
both of Pryor, Okla.; **Daniel B.**
Podlesny, Landing, N.J.

[73] Assignee: **Red Devil, Inc.,** Union, N.J.

[**] Term: **14 Years**

[21] Appl. No.: **850,335**

[22] Filed: **Apr. 4, 1986**

[52] U.S. Cl. **D8/14.1; D8/14**

[58] Field of Search **D8/14, 14.1, 30;**
219/229, 227, 242, 247, 259; 222/325-327, 566,
567, 391; 425/458, 385, 456; D15/139

[56] References Cited

U.S. PATENT DOCUMENTS

D. 239,157	3/1976	Archer	D8/14.1
2,754,033	7/1956	Etter	222/326
2,859,473	11/1958	Warren	425/458
2,953,285	9/1960	McKelvey	222/325
3,658,213	4/1972	Plumer	222/326

FOREIGN PATENT DOCUMENTS

64531	11/1968	German Democratic	219/229
43543	11/1916	Switzerland	222/566

OTHER PUBLICATIONS

Ungar Soldering Tools Catalog #S-61, dated 5-1-61, p. 6, Tip #861.

Primary Examiner—Bruce W. Dunkins
Assistant Examiner—Monica A. Hannon
Attorney, Agent, or Firm—Lane, Aitken & McCann

[57] CLAIM

The ornamental design for a caulking gun cartridge nozzle, as shown and described.

DESCRIPTION

FIG. 1 is a front perspective view of the caulking gun cartridge nozzle showing our new design; FIG. 2 is a top plan view thereof; FIG. 3 is a side elevational view thereof, the opposite side being a mirror image; FIG. 4 is a front elevational view thereof; and FIG. 5 is a bottom plan view thereof. The right end view is a feature of no consequence and forms no essential part of the claimed design. The broken line showing of the cartridge is for illustrative purposes only and forms no part of the claimed design.

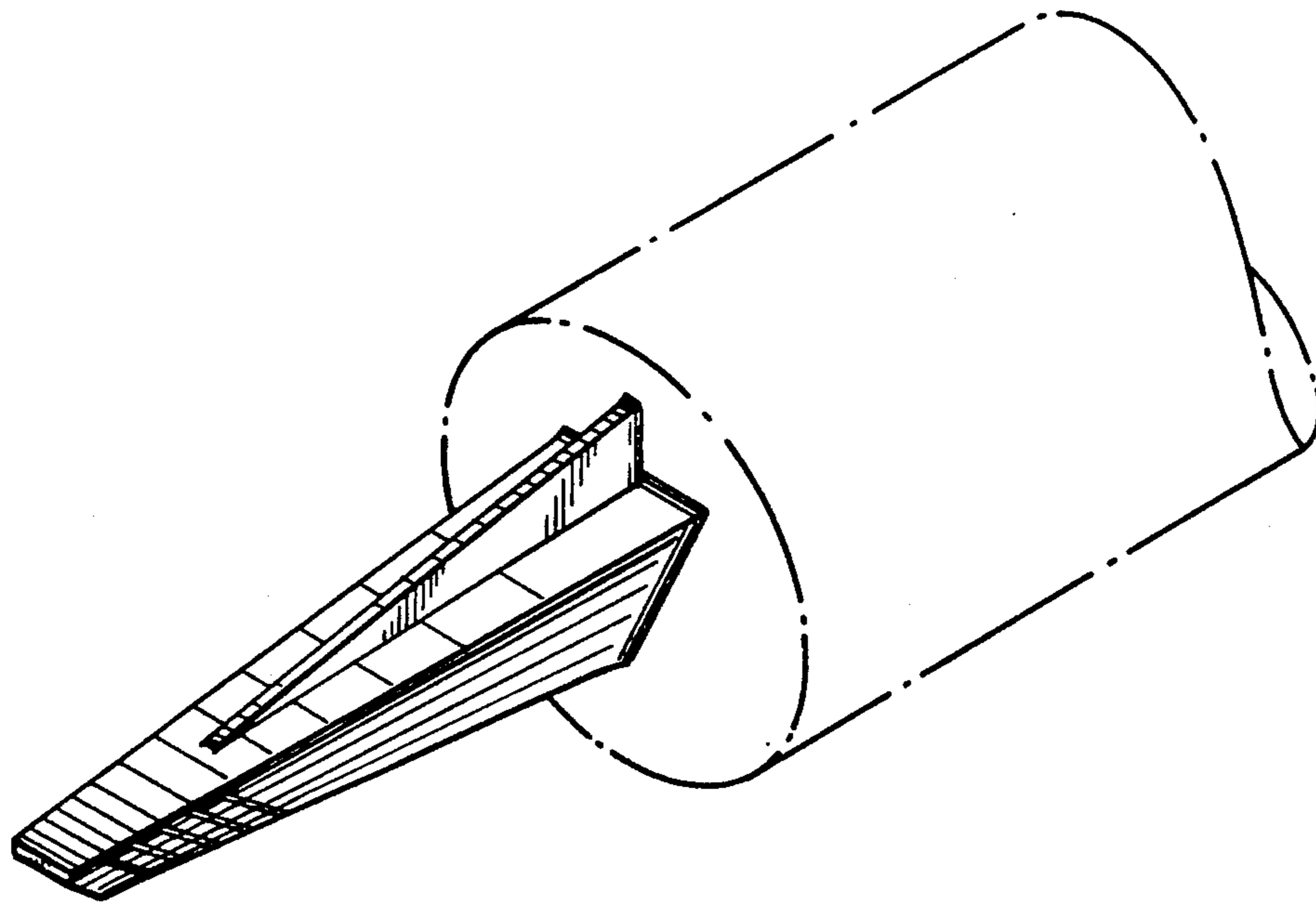


FIG. 1

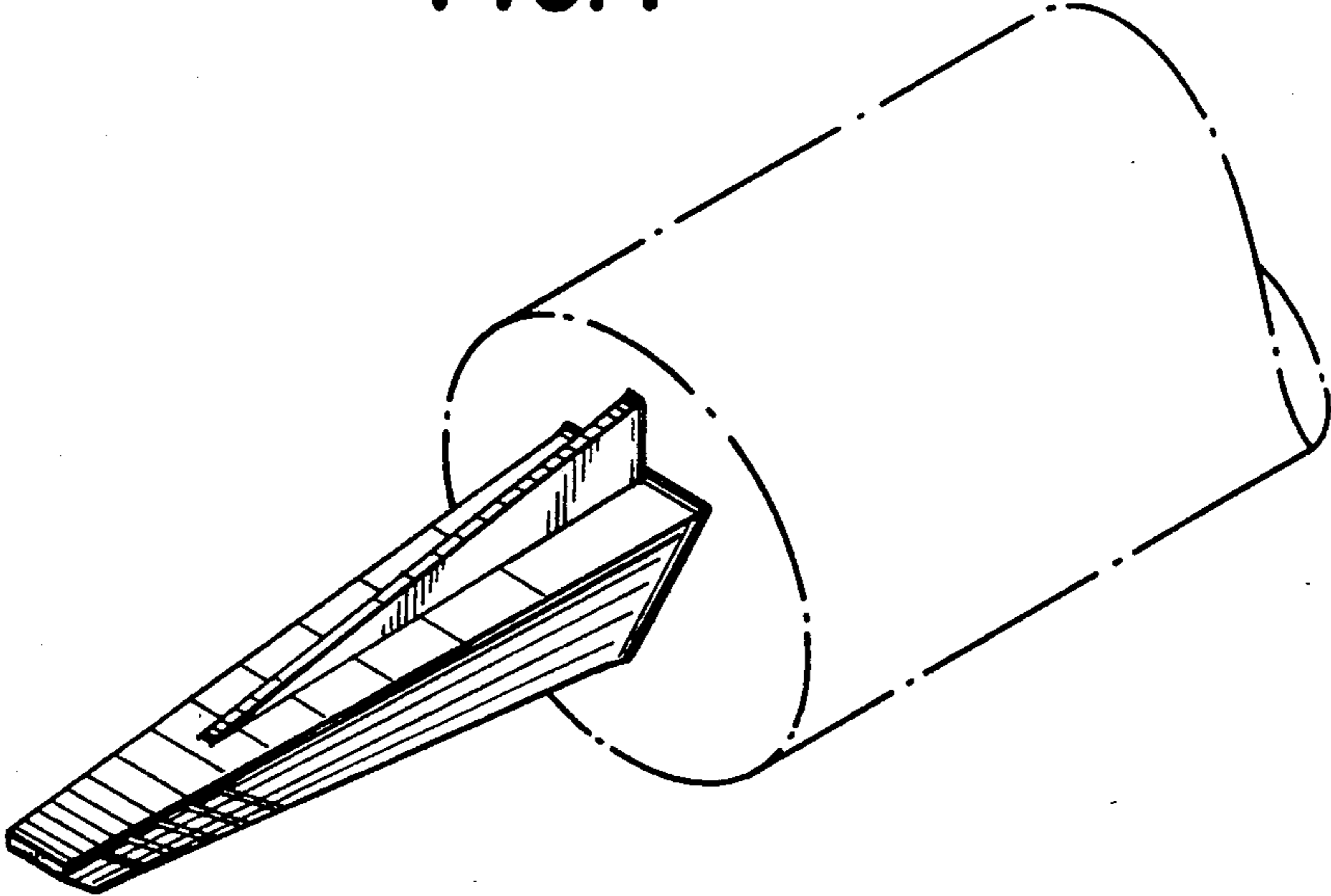


FIG. 2

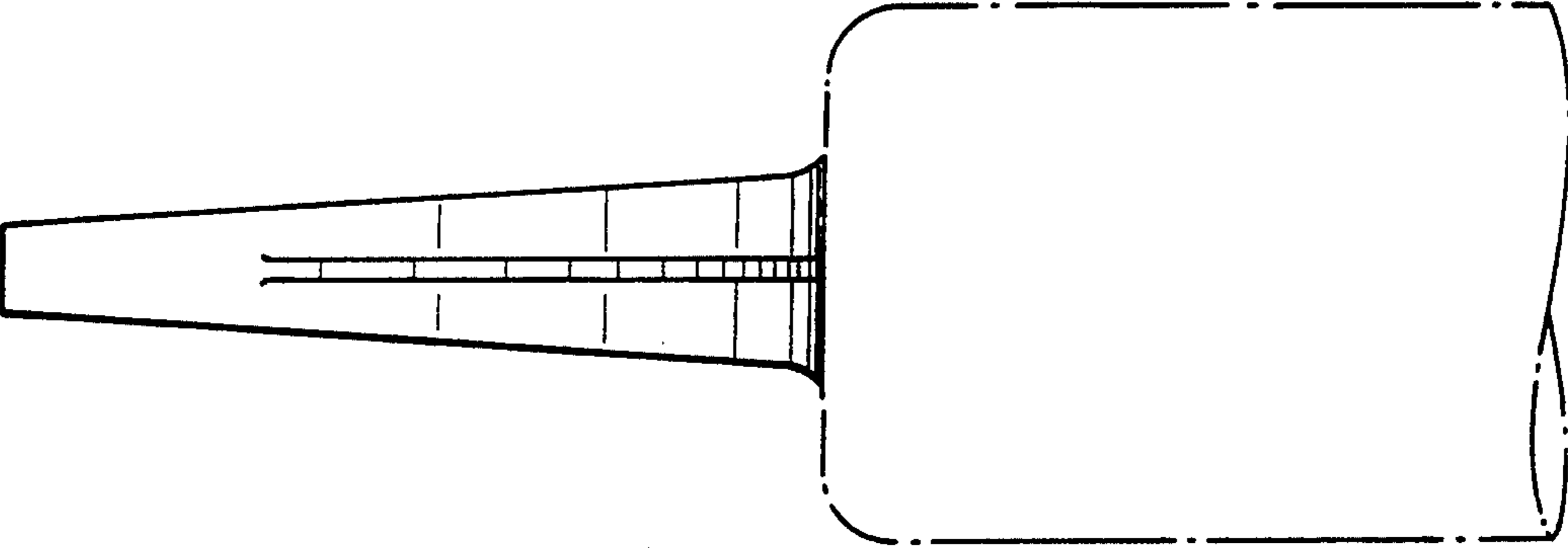


FIG. 3

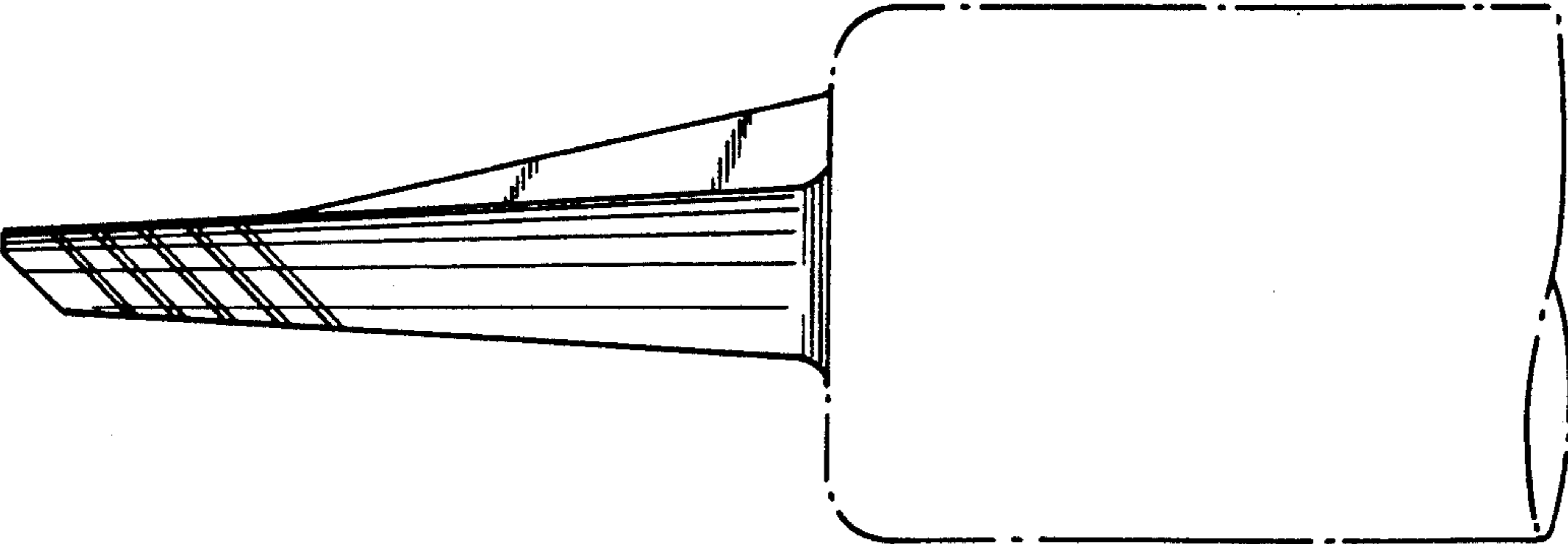


FIG. 4

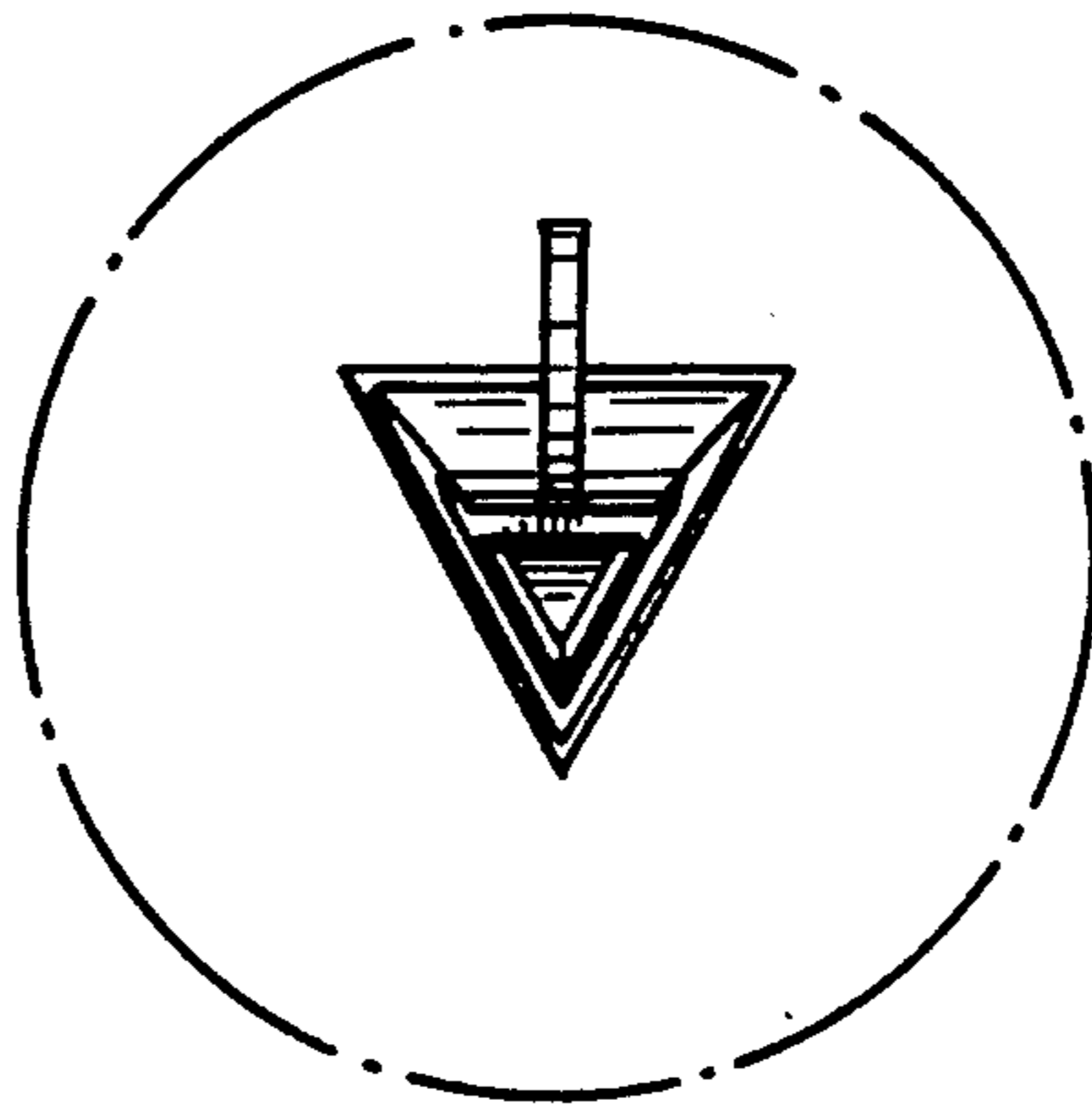


FIG. 5

