



US00D323268S

United States Patent [19]
Reiman

[11] **Patent Number: Des. 323,268**
[45] **Date of Patent: ** Jan. 21, 1992**

[54] **PLANT FEEDER**

- [75] **Inventor: Roy Reiman, Greendale, Wis.**
- [73] **Assignee: Reiman Associates, Inc., Greendale, Wis.**
- [**] **Term: 14 Years**
- [21] **Appl. No.: 425,100**
- [22] **Filed: Oct. 23, 1989**
- [52] **U.S. Cl. D8/1**
- [58] **Field of Search D8/1; D11/164; 47/9, 47/27, 28.1, 32, 25, 48.5**

[56] **References Cited**

U.S. PATENT DOCUMENTS

3,005,287	10/1961	Dudley	47/25
3,287,851	11/1966	Cramer	47/25
4,268,992	5/1981	Scharf, Sr.	47/23
4,336,666	6/1982	Caso	47/48.5
4,348,831	9/1982	Chambers	47/32

OTHER PUBLICATIONS

A catalog page of square plant feeder, source and lot unknown; date unknown.

Primary Examiner—B. J. Bullock
Attorney, Agent, or Firm—Quarles & Brady

[57] **CLAIM**

The ornamental design for a plant feeder, as shown.

DESCRIPTION

FIG. 1 is a perspective view of my plant feeder showing my new design;
 FIG. 2 is an enlarged top view thereof;
 FIG. 3 is an enlarged front view thereof, the rear being identical;
 FIG. 4 is an enlarged side view thereof, both sides being identical;
 FIG. 5 is a sectional view taken in the direction of the arrows on line 5—5 of FIG. 2; and
 FIG. 6 is a partial sectional view taken in the direction of the arrows on line 6—6 of FIG. 2.

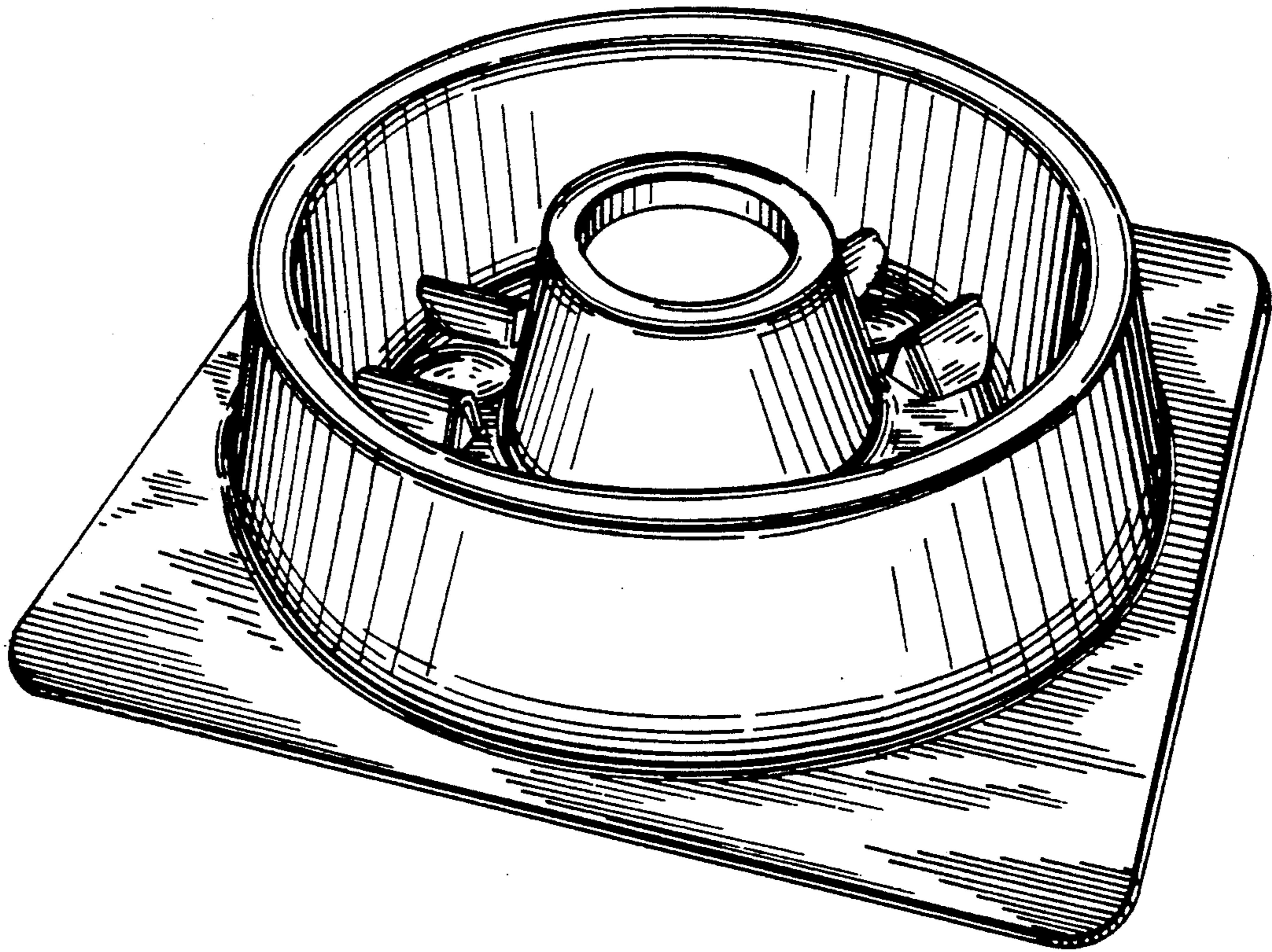
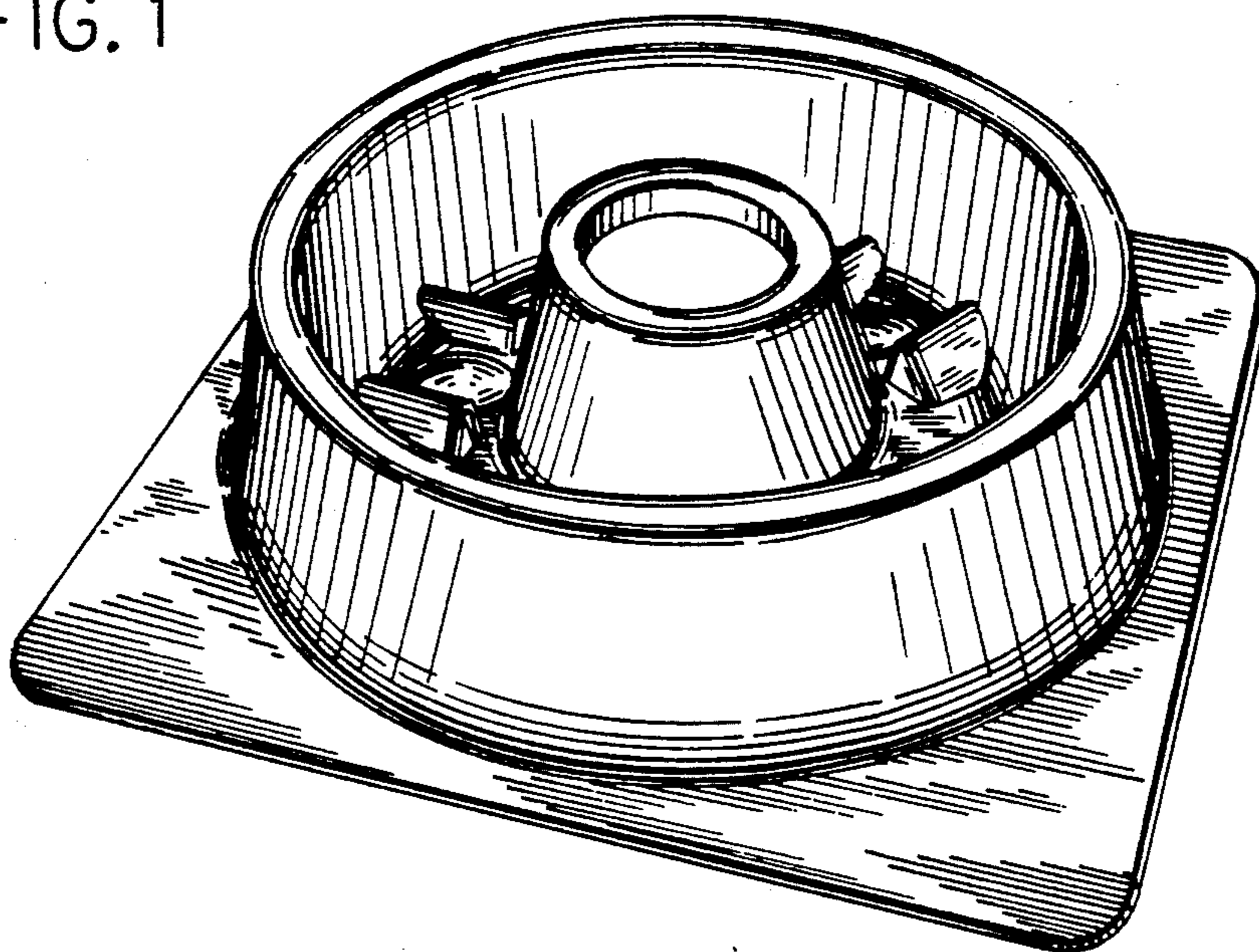


FIG. 1



→ 5

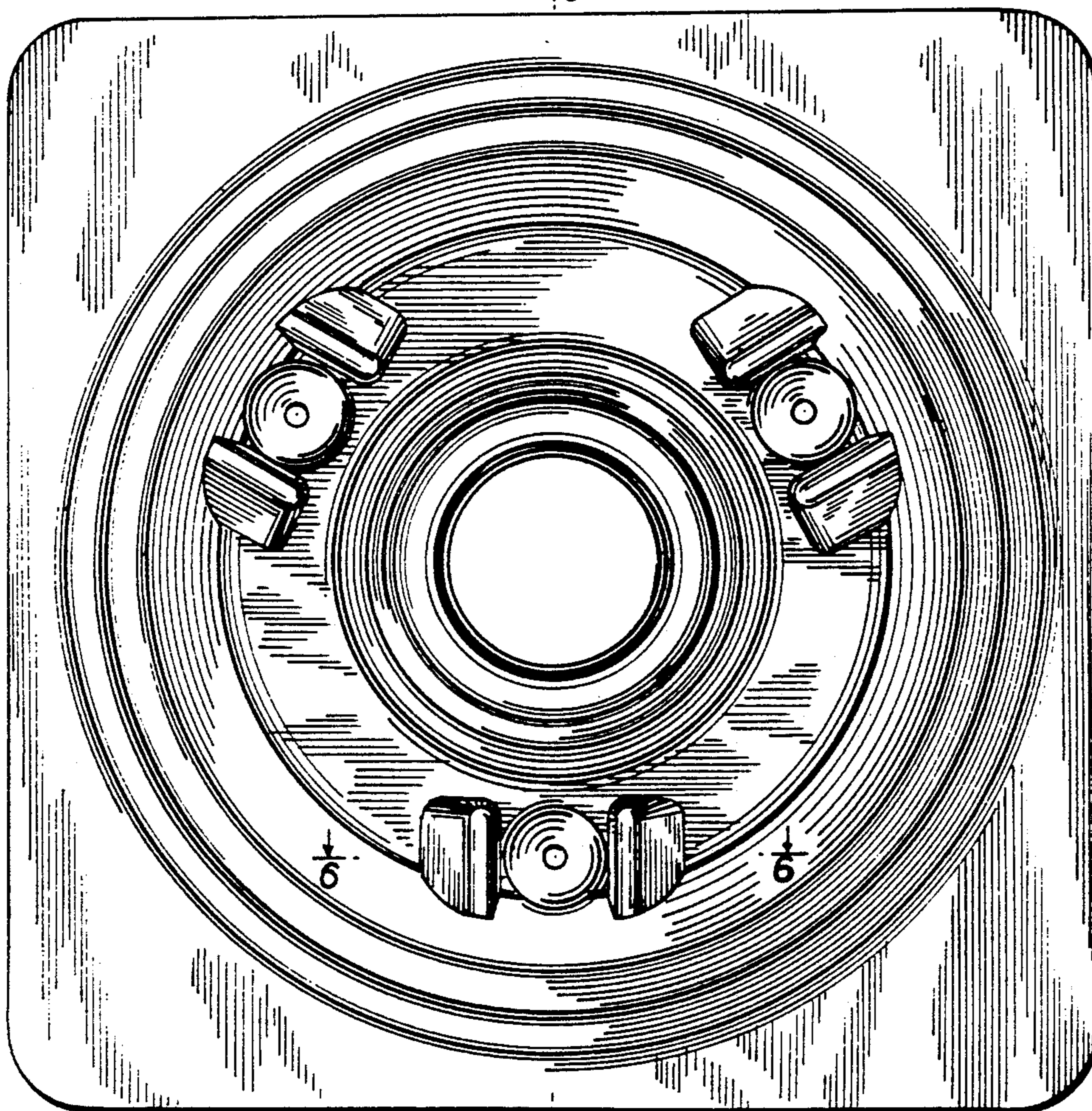


FIG. 2

6

6

→ 5

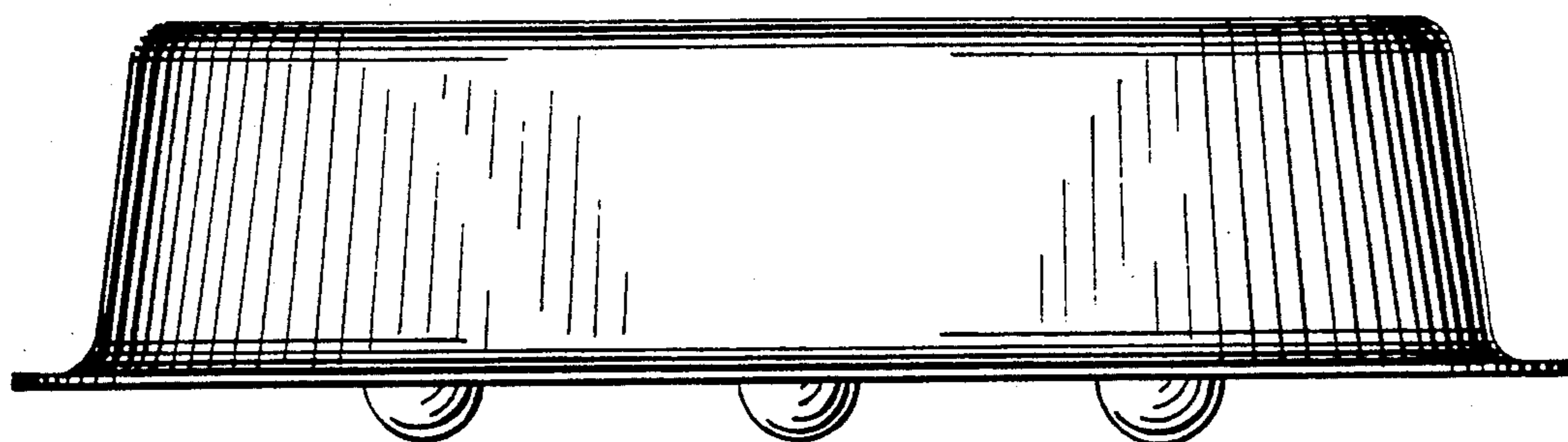


FIG. 3

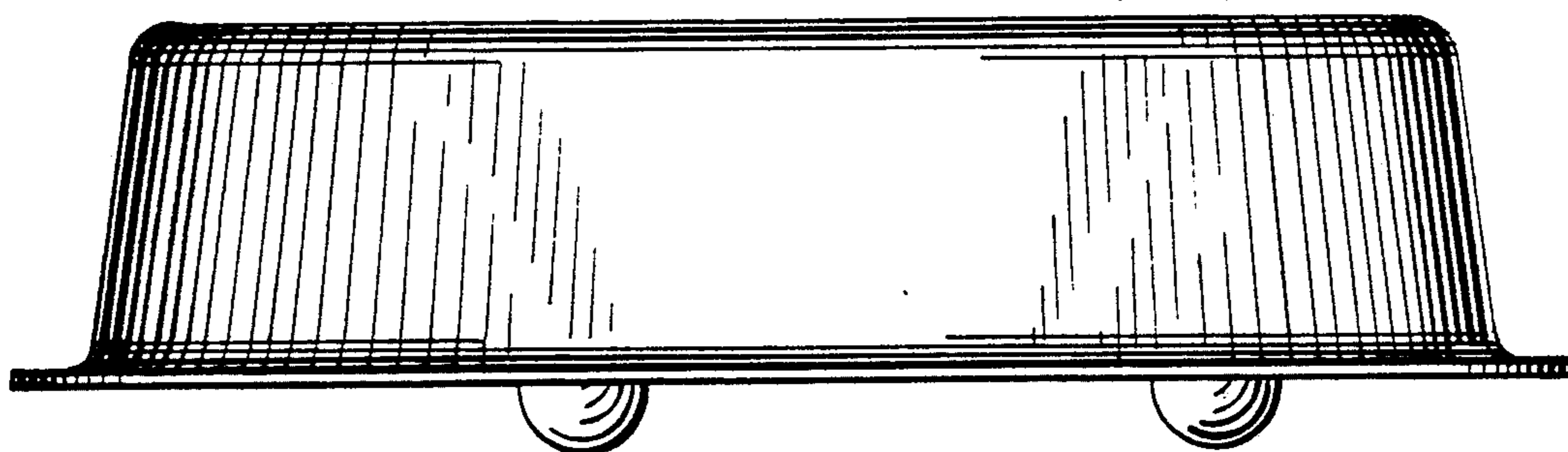


FIG. 4

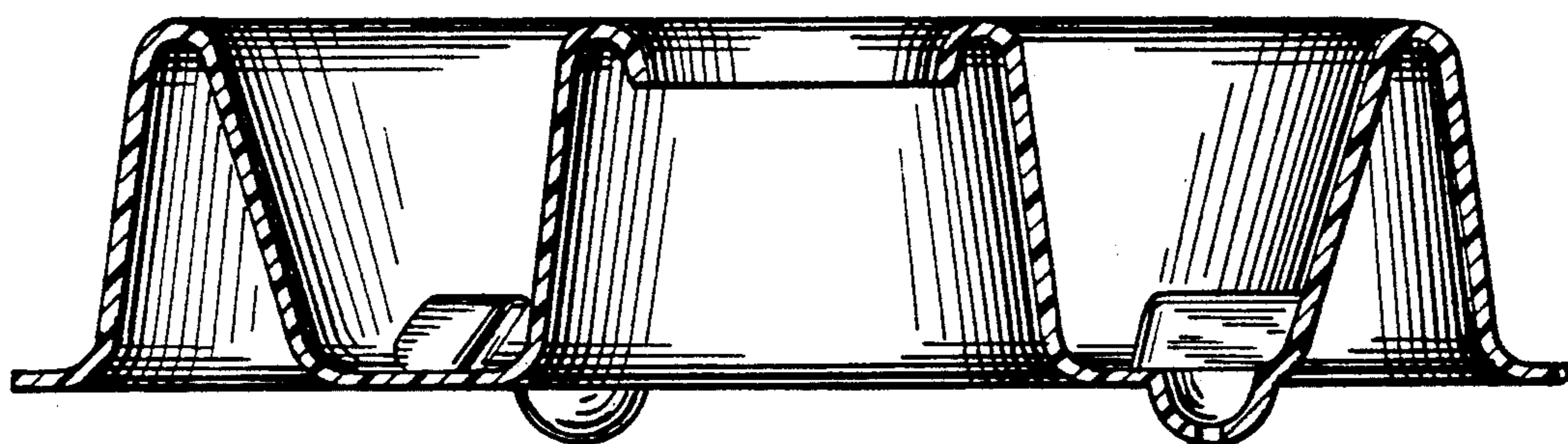


FIG. 5

FIG. 6

