



US00D323260S

United States Patent [19]

Lewis

[11] Patent Number: Des. 323,260

[45] Date of Patent: ** Jan. 21, 1992

[54] COMPUTER TABLE

[76] Inventor: John H. Lewis, 2205 Jonathan Ct., Euless, Tex. 76040

[**] Term: 14 Years

[21] Appl. No.: 379,157

[22] Filed: Jul. 13, 1989

[52] U.S. Cl. D6/474; D6/484; D6/426

[58] Field of Search D6/480, 482-489, D6/495, 497, 499, 396, 397, 429-431, 451, 426; 108/3, 94; 108/159, 150; D14/102-104

[56] References Cited

U.S. PATENT DOCUMENTS

D. 239,227	3/1976	Vogt	D6/426
D. 255,737	7/1980	Gayeski	D6/426
D. 263,530	3/1982	Liljequist	D6/483
D. 266,467	10/1982	Ylänkö	D6/431
D. 272,102	1/1984	Olivan	D6/483 X
D. 273,449	4/1984	Wieczorek	D6/426
D. 276,199	11/1984	Kwieceński et al.	D6/426 X

OTHER PUBLICATIONS

Domus, Dec. 1987, p. 85a, Table at bottom right.
INMAC Catalog, Jun. 1987, p. 185, Workstation at top of page, in C-44 in design library.

Primary Examiner—Bruce W. Dunkins
Assistant Examiner—Janice E. Seeger
Attorney, Agent, or Firm—James E. Bradley

[57] CLAIM

The ornamental design for a computer table, as shown and described.

DESCRIPTION

FIG. 1 is a top plan view of view of a computer table embodying our new design;
FIG. 2 is a bottom plan view thereof;
FIG. 3 is a rear elevational view thereof;
FIG. 4 is a side elevational view as seen from the left side of FIG. 6;
FIG. 5 is a side elevational view as seen from the right side of FIG. 6; and
FIG. 6 is a perspective view as seen from the left side.

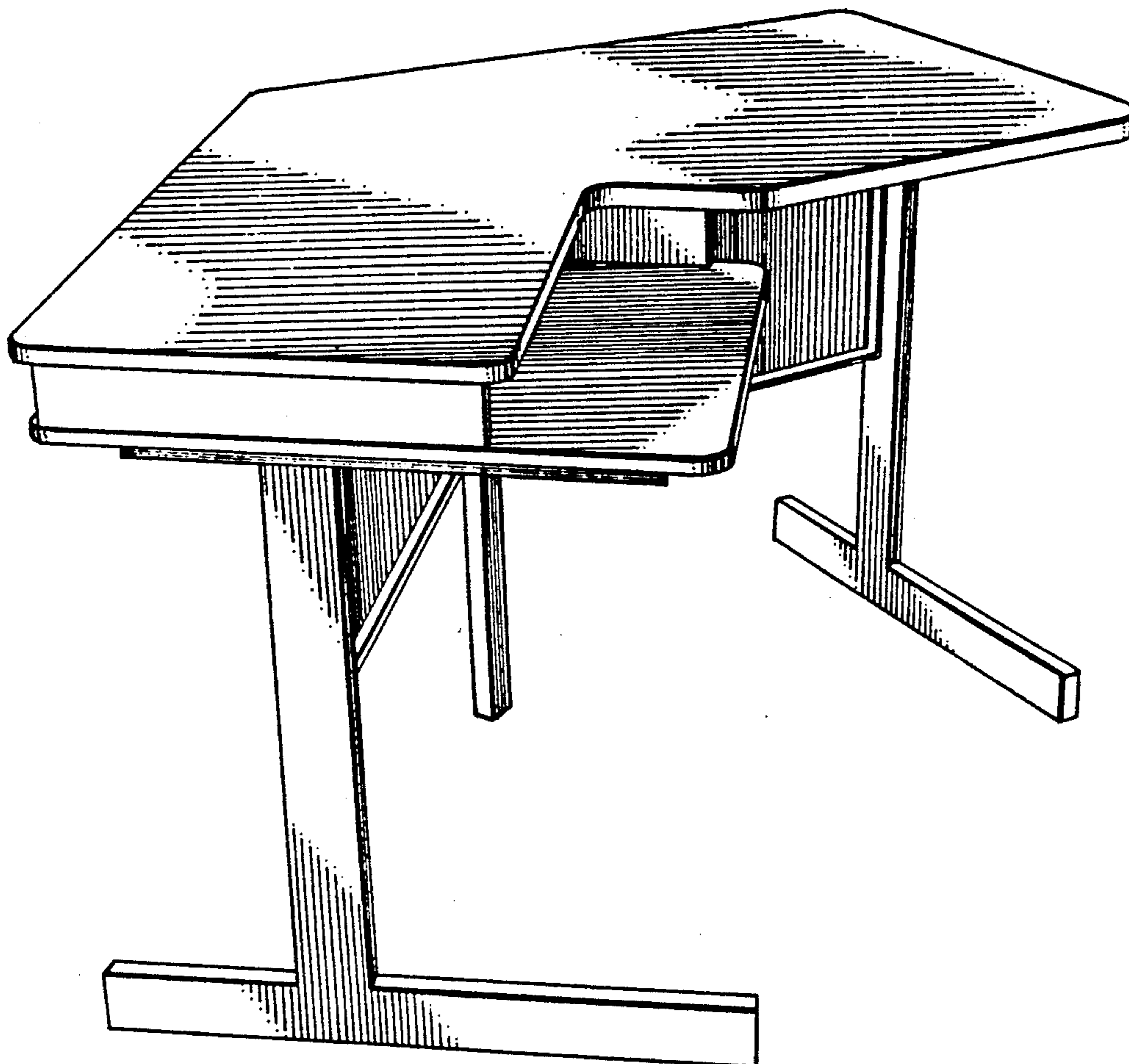


FIG. 1

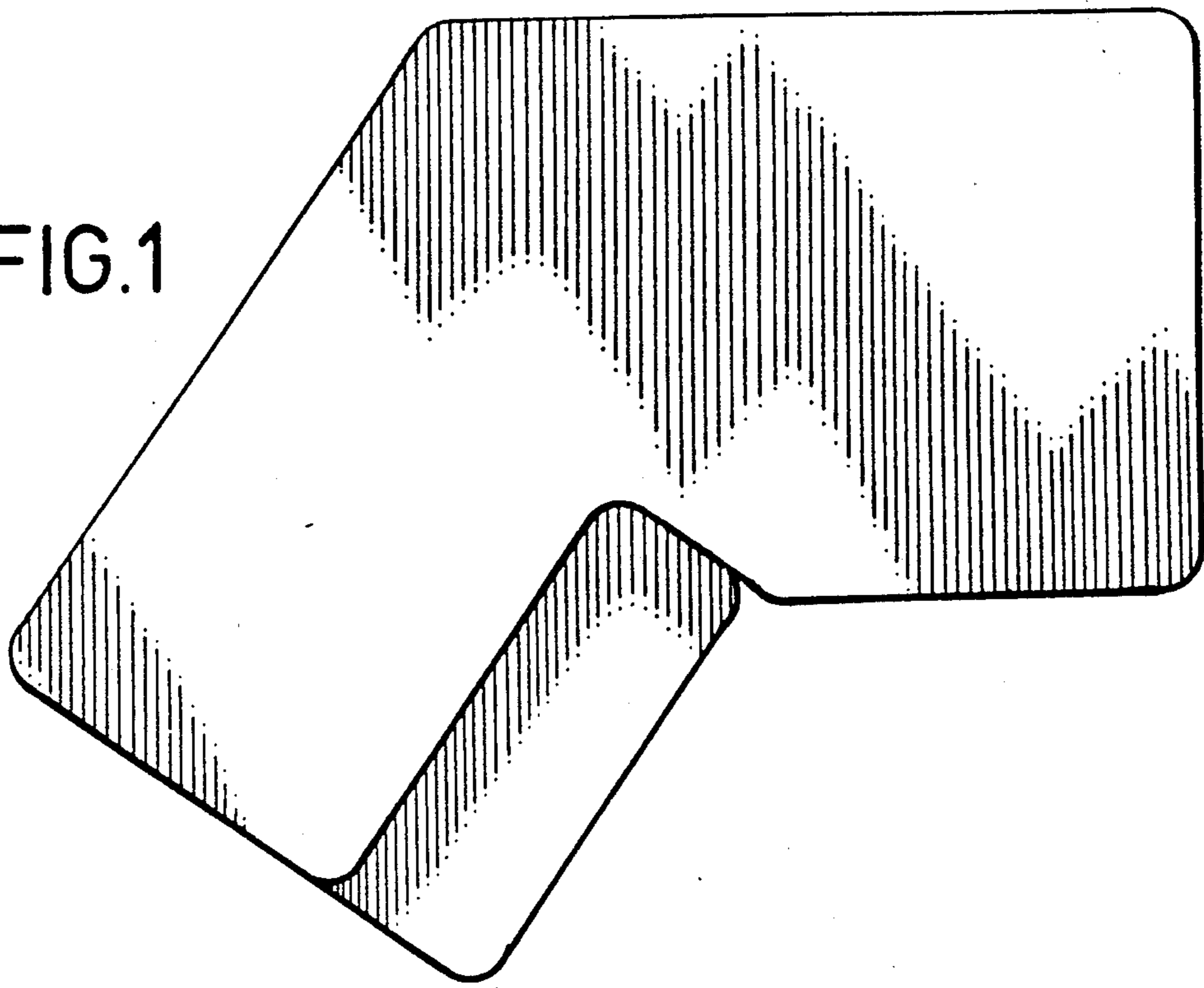
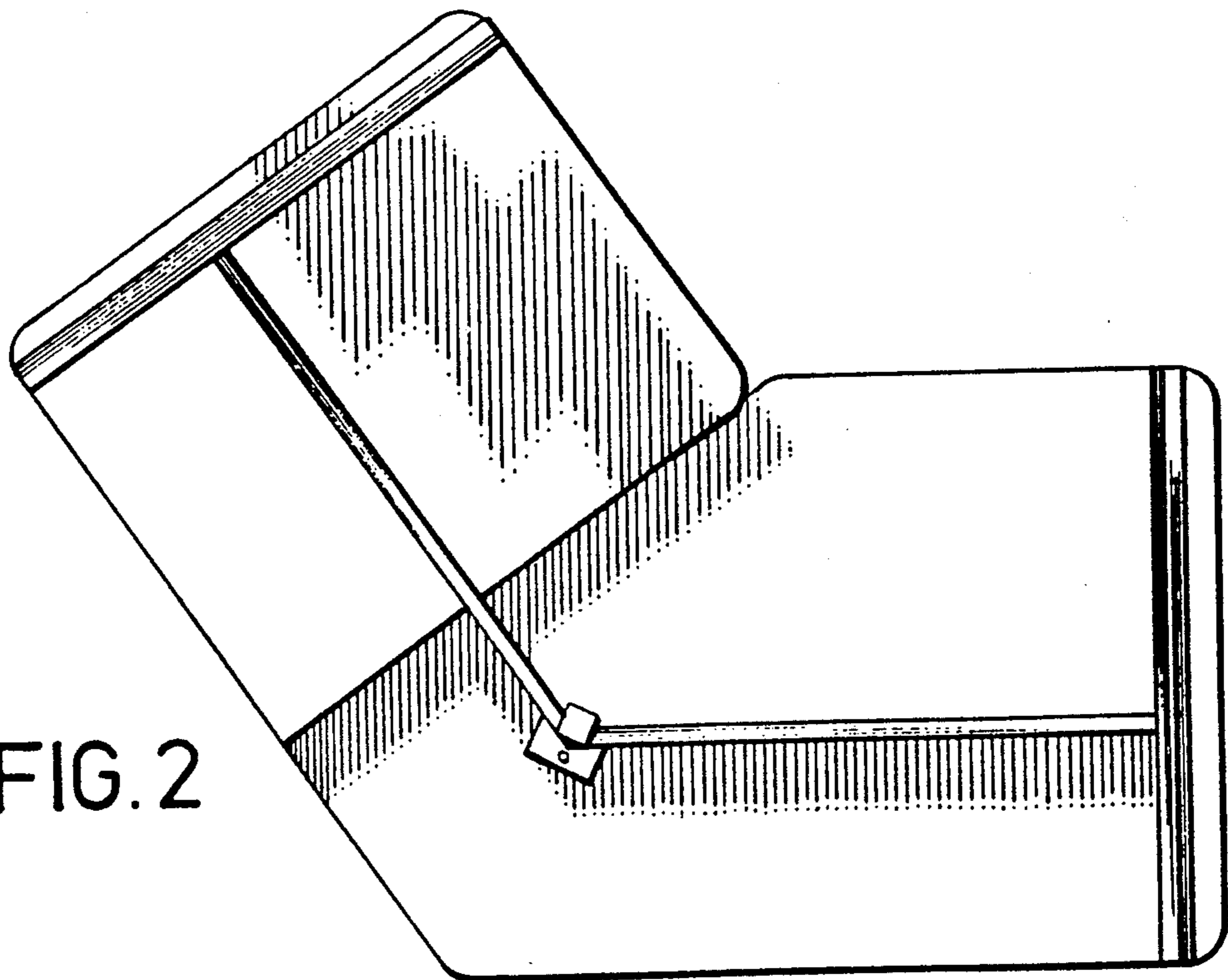
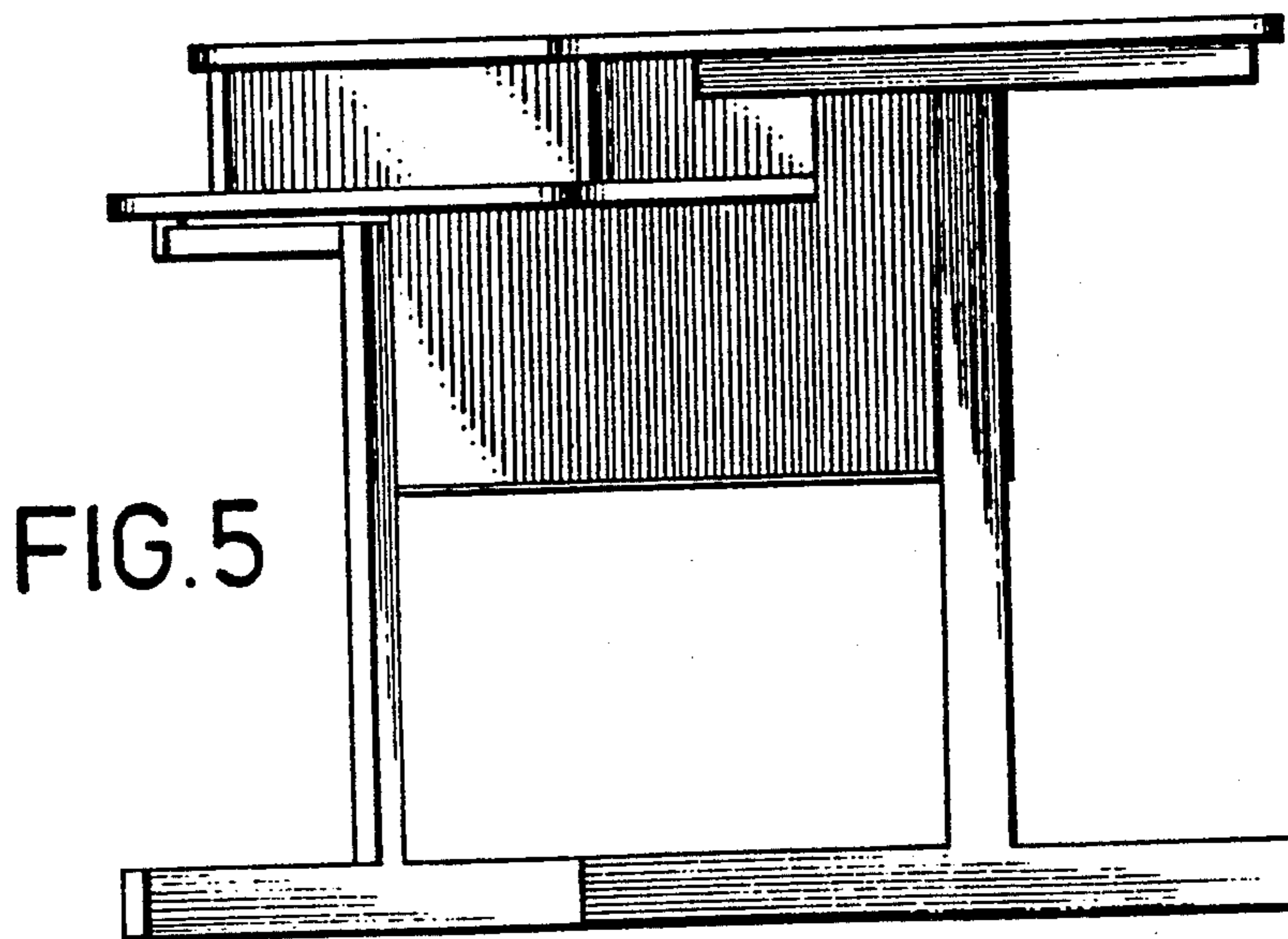
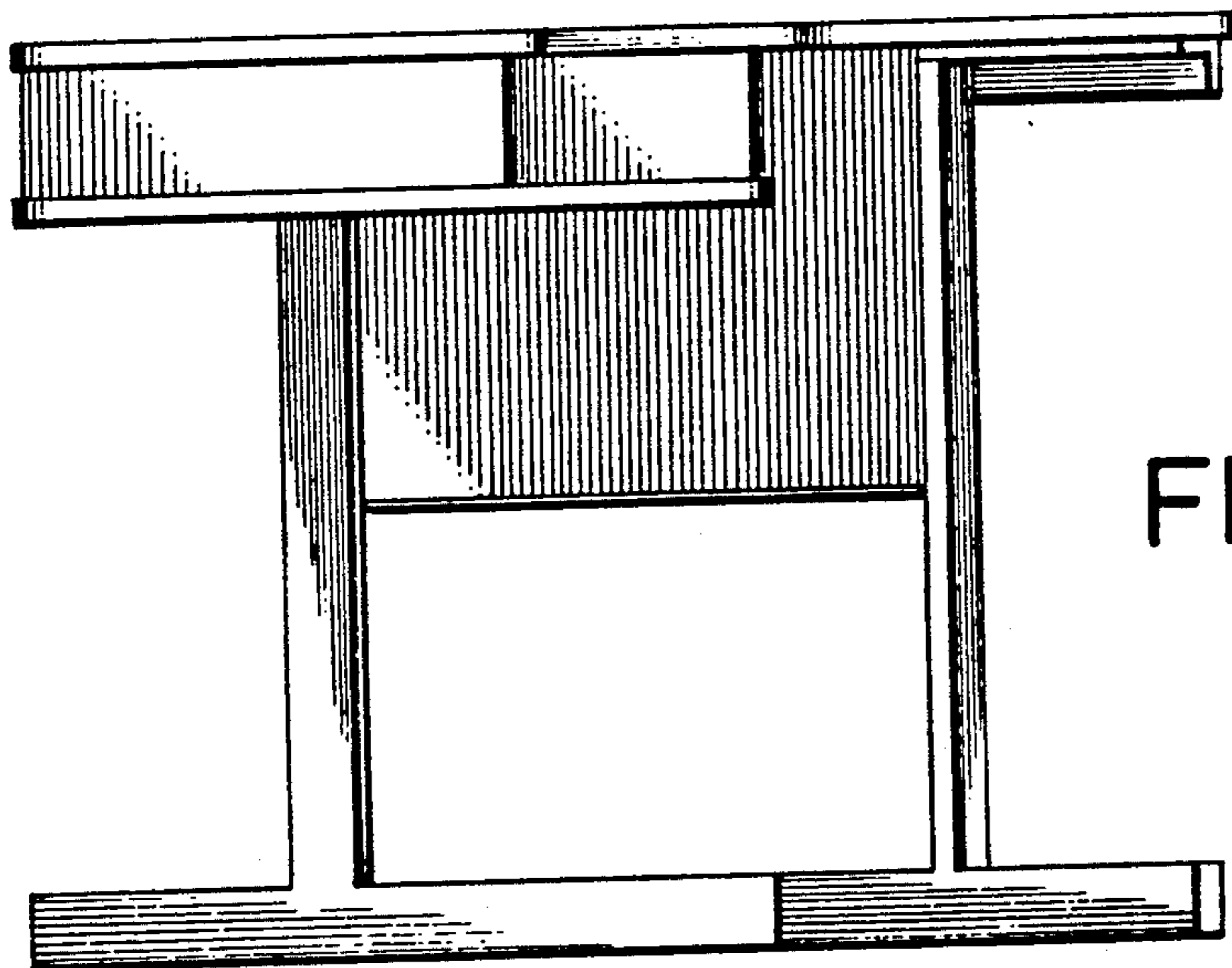
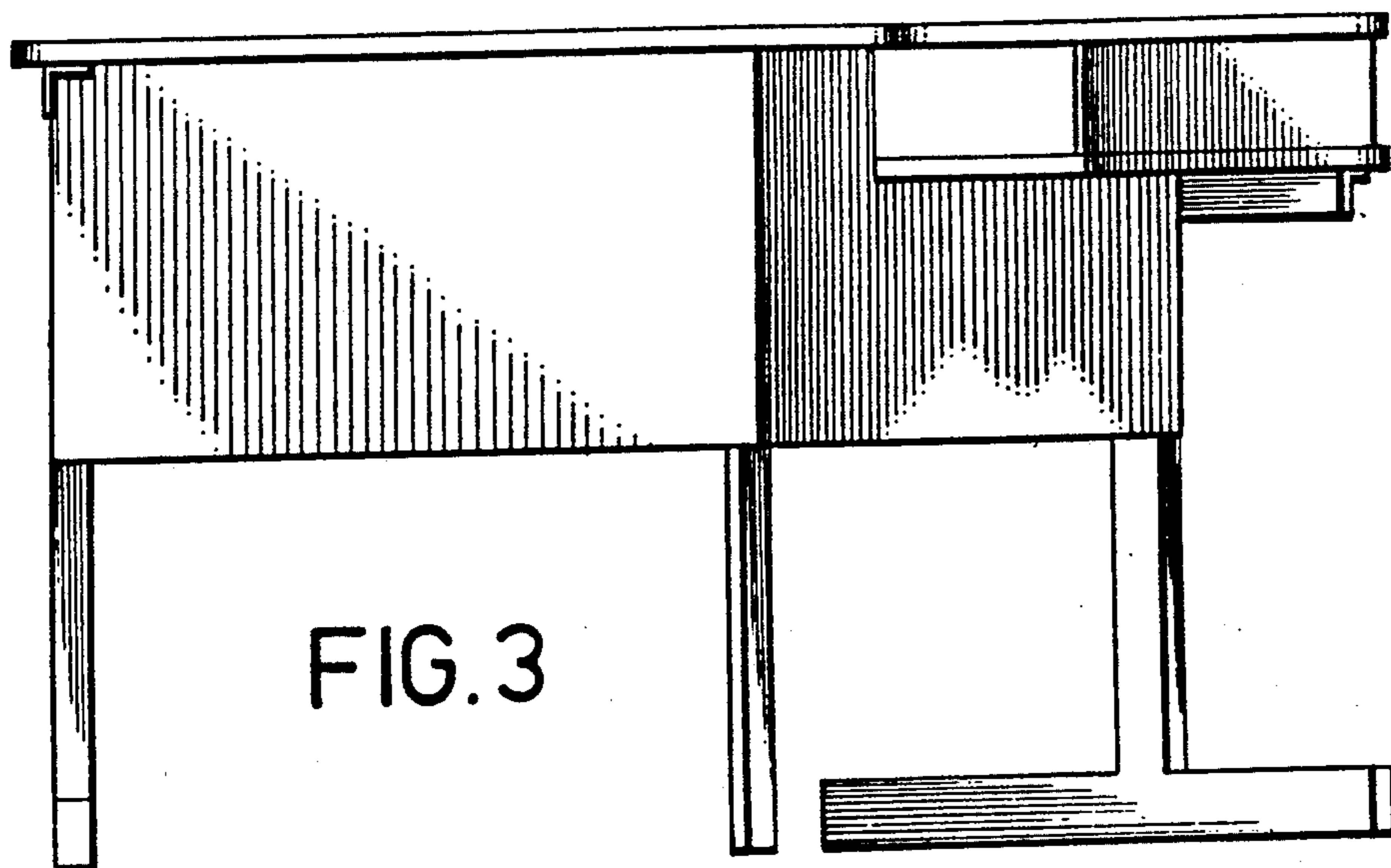


FIG. 2





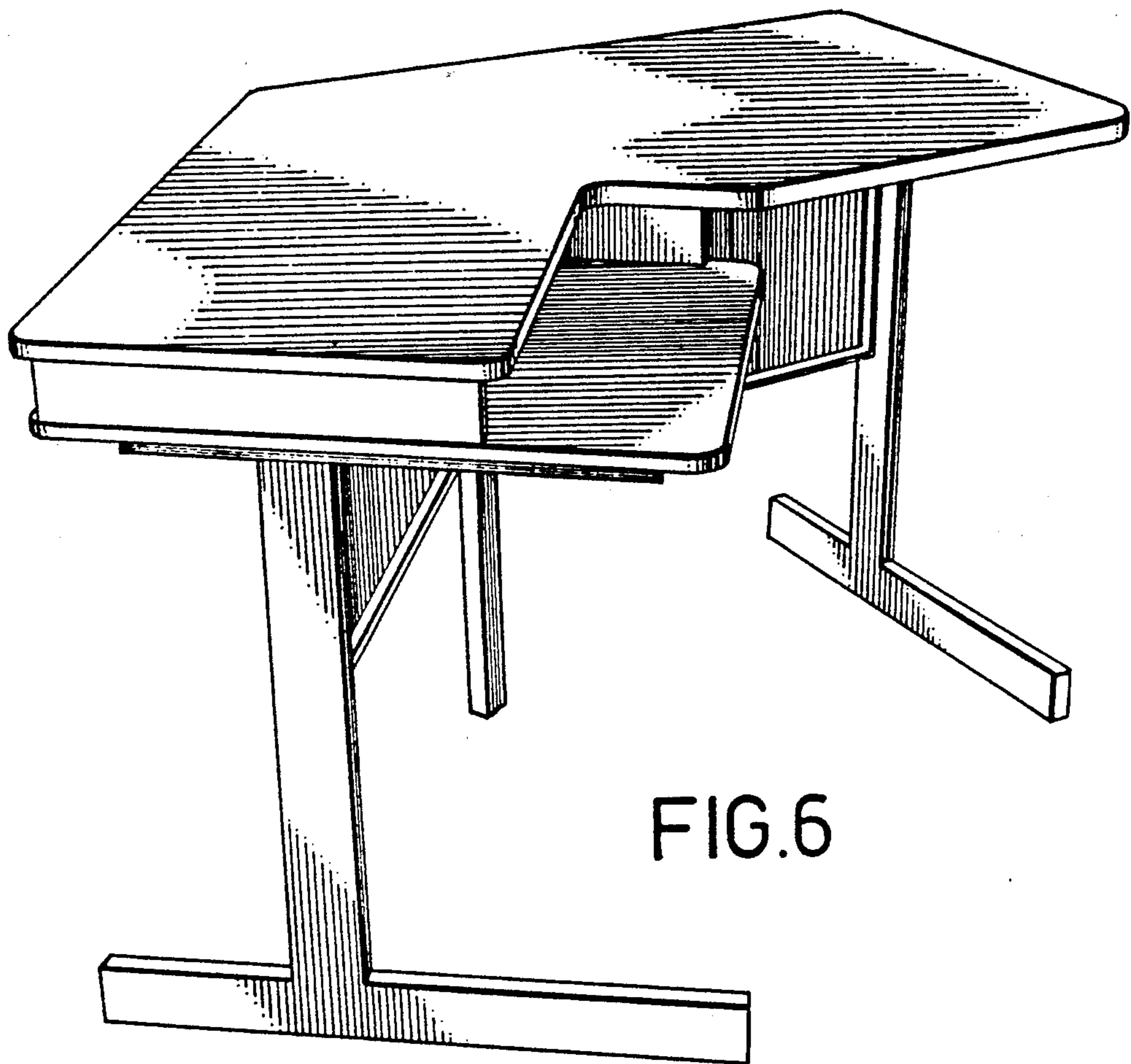


FIG. 6