



US00D323252S

United States Patent [19]

[11] Patent Number: **Des. 323,252**

Anske

[45] Date of Patent: **** Jan. 21, 1992**

[54] FOLDABLE TEA CART

[76] Inventor: **Leander H. Anske, 10859 Abbott Ave., Sun City, Ariz. 85351**

[**] Term: **14 Years**

[21] Appl. No.: **330,878**

[22] Filed: **Mar. 31, 1989**

[52] U.S. Cl. **D6/429; D6/397; D6/425; D6/430**

[58] Field of Search **D6/429, 481, 486, 429, D6/431, 475, 407; D34/17, 20, 21, 24; 108/54, 144; 280/47.1, 47.34**

[56] References Cited

U.S. PATENT DOCUMENTS

D. 55,945	8/1920	Haskell	D34/21
D. 63,023	1/1923	Cameron	D34/21
D. 73,081	7/1927	Hoy	D6/407 X
D. 187,702	4/1960	Warshawsky	D34/21
D. 224,868	10/1972	Intorcio	D6/434
D. 245,075	7/1977	Austin	D34/20 X
D. 250,234	11/1978	Ungaro	D6/436
D. 252,433	7/1979	Beall, Jr.	D6/475 X
2,658,224	11/1953	Brown	D34/21 X
4,066,023	1/1978	Hughes	D6/430 X
5,000,468	3/1991	Weinstein	280/47.34

FOREIGN PATENT DOCUMENTS

1028285	3/1978	Canada	D6/429 X
---------	--------	--------	-------	----------

OTHER PUBLICATIONS

Ethan Allen, ©1979, p. 354, "Cat. No. 10-6085-Drop Leaf Tea Wagon".

Ethan Allen, American Traditional Interiors, p. 368, No. 12-8034, Butterfly Drop Leaf End Table.

Ethan Allen, Early American Furniture, N.Y. World's Fair, 64th Edition, ©1962, p. 142, "No. 9010 Serving Cart", top right corner of page.

Primary Examiner—Bruce W. Dunkins

Assistant Examiner—Monica A. Hannon

Attorney, Agent, or Firm—Richard C. Litman

[57] CLAIM

The ornamental design for a foldable tea cart, as shown and described.

DESCRIPTION

FIG. 1 is a side perspective view of a foldable tea cart showing my new design;

FIG. 2 is a right side elevational view thereof;

FIG. 3 is a left side elevational view thereof, showing the left side leaf in the down position;

FIG. 4 is a rear elevational view thereof, showing the right side leaf in the lowered position;

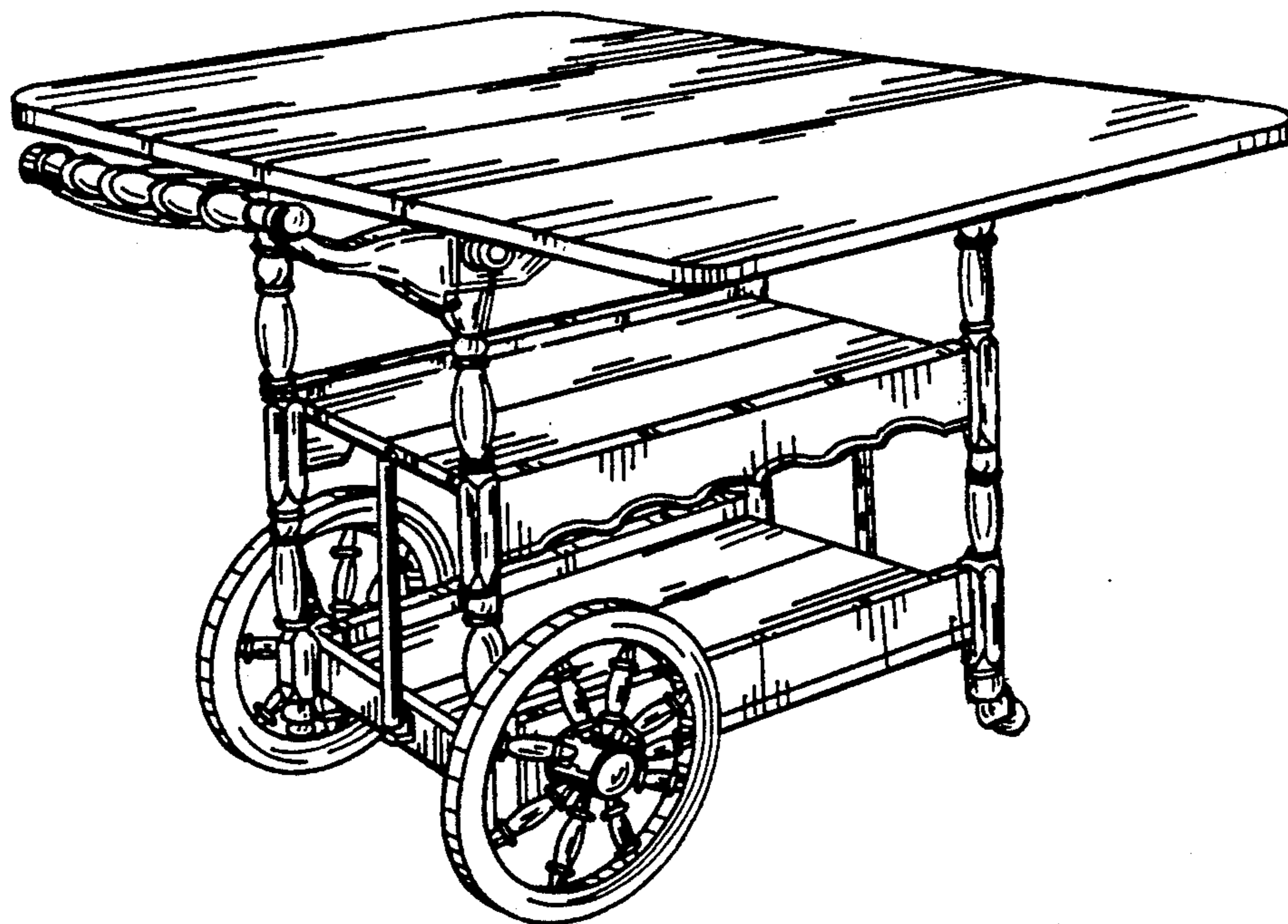
FIG. 5 is a front elevational view thereof, showing the right side leaf in the lowered position;

FIG. 6 is a bottom plan view thereof, showing the left side leaf in the lowered position,

FIG. 7 is a top plan view thereof, showing the right side leaf in a lowered position;

FIG. 8 is a perspective view thereof, showing the article partially folded; and

FIG. 9 is a perspective view thereof, showing the article completely folded in the closed position.



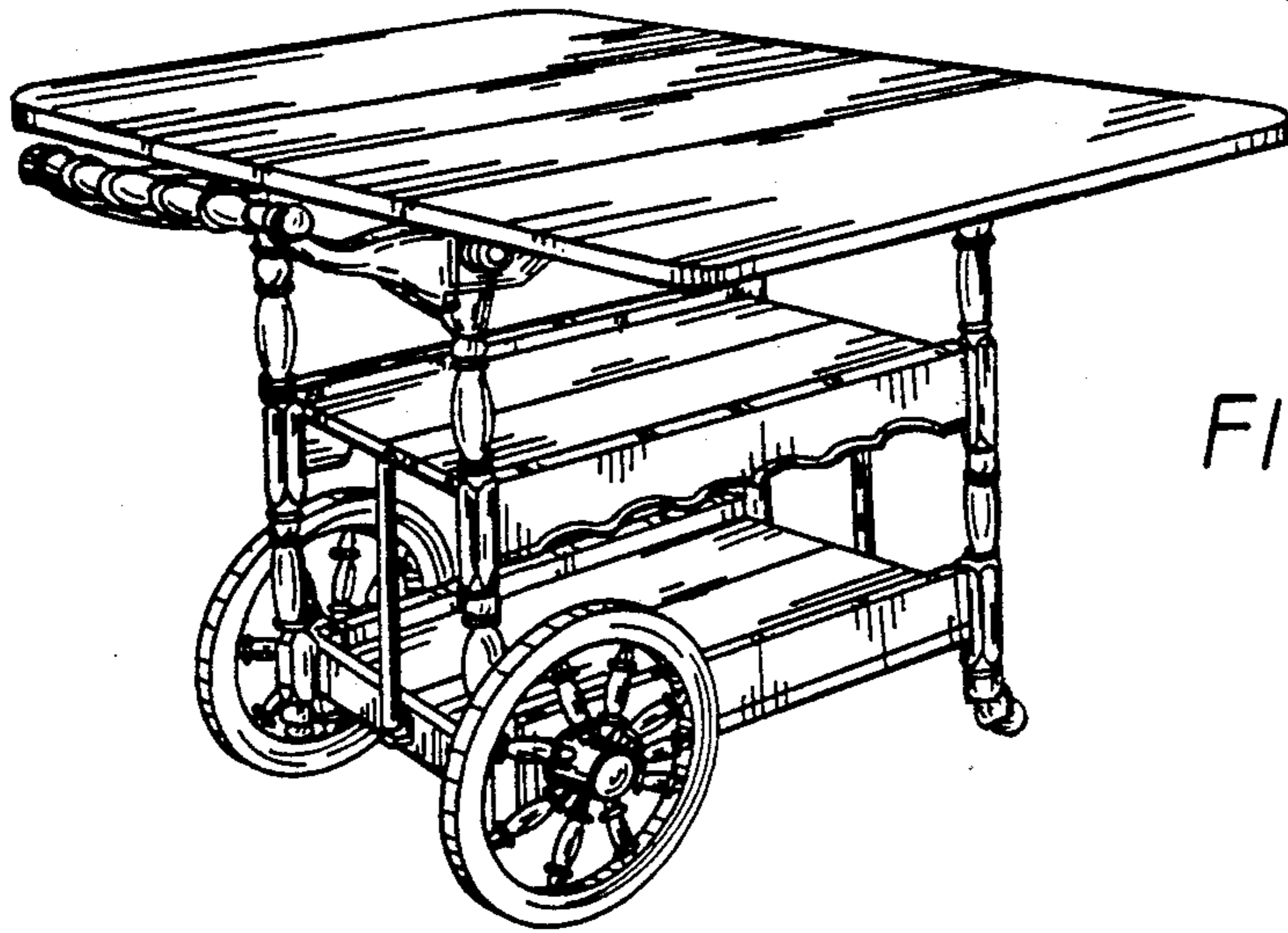


FIG. 1

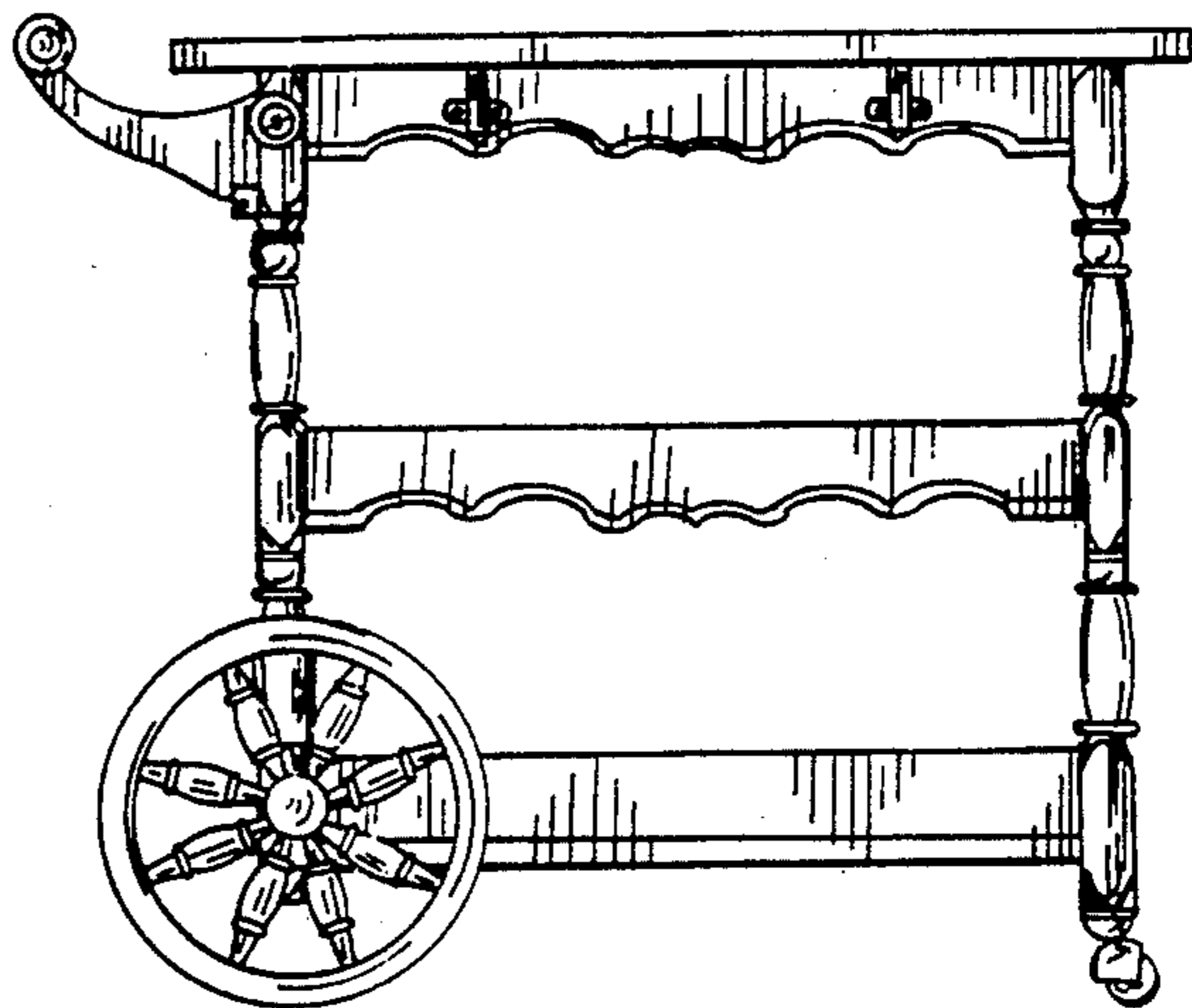


FIG. 2

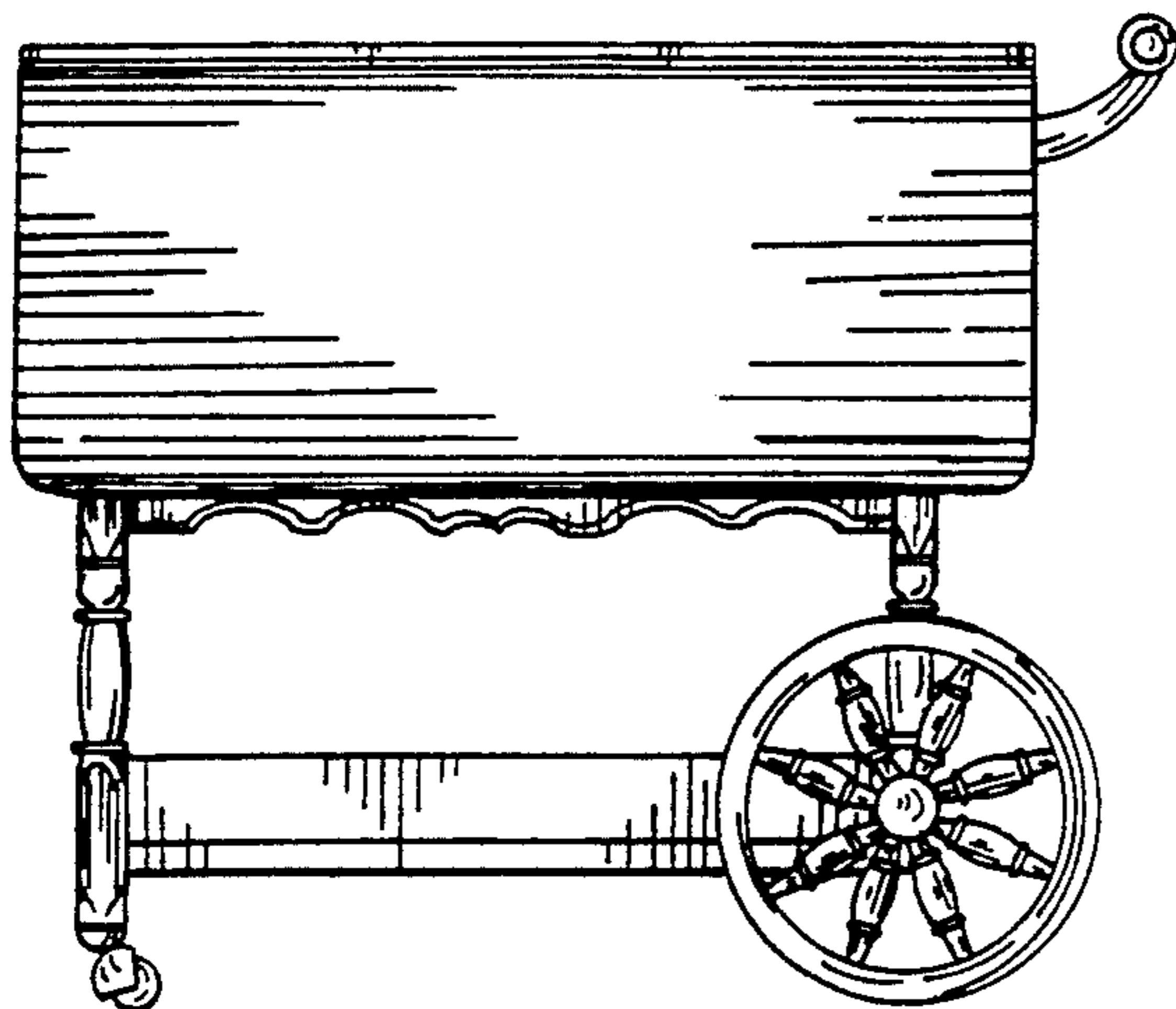


FIG. 3

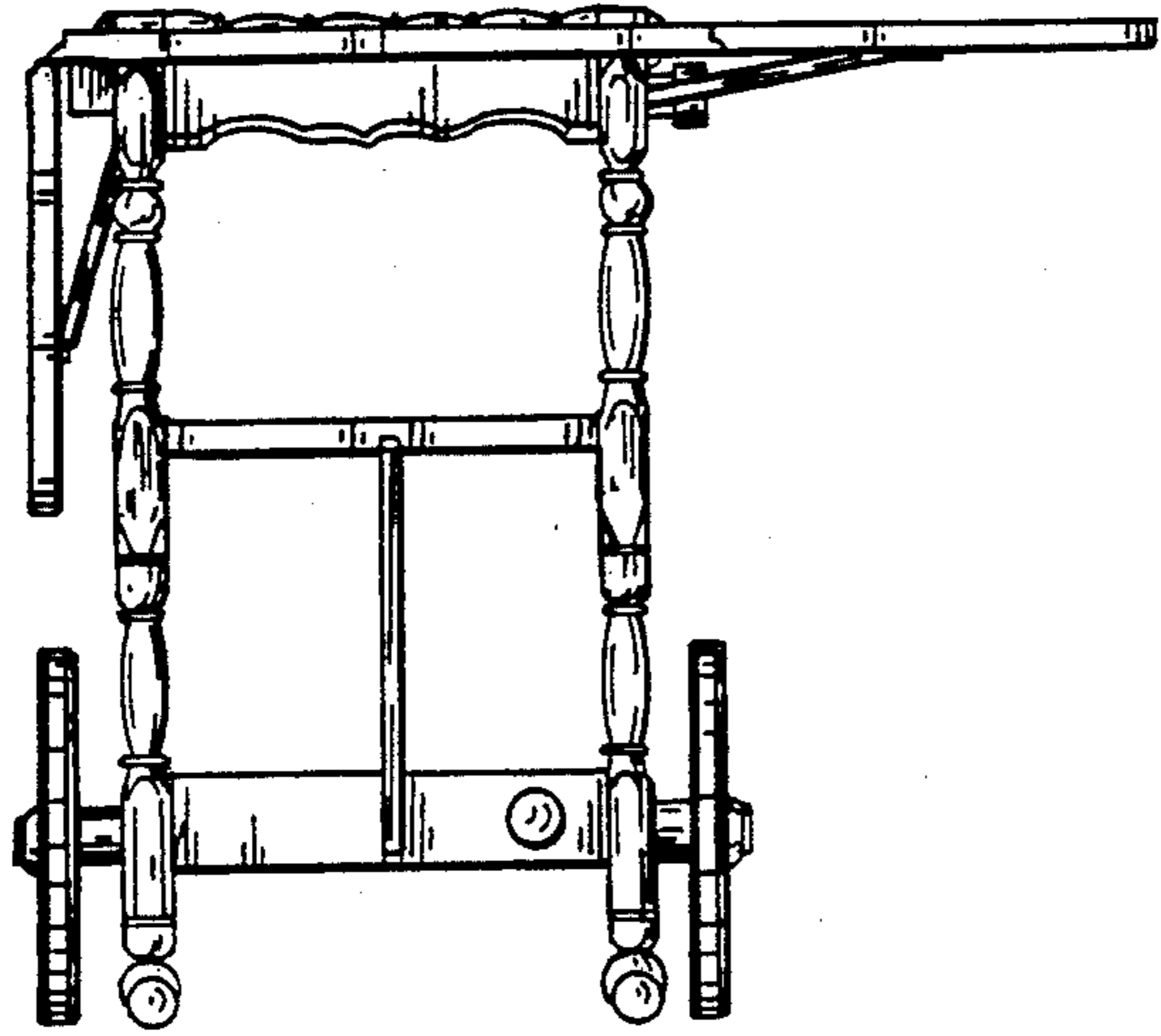


FIG. 5

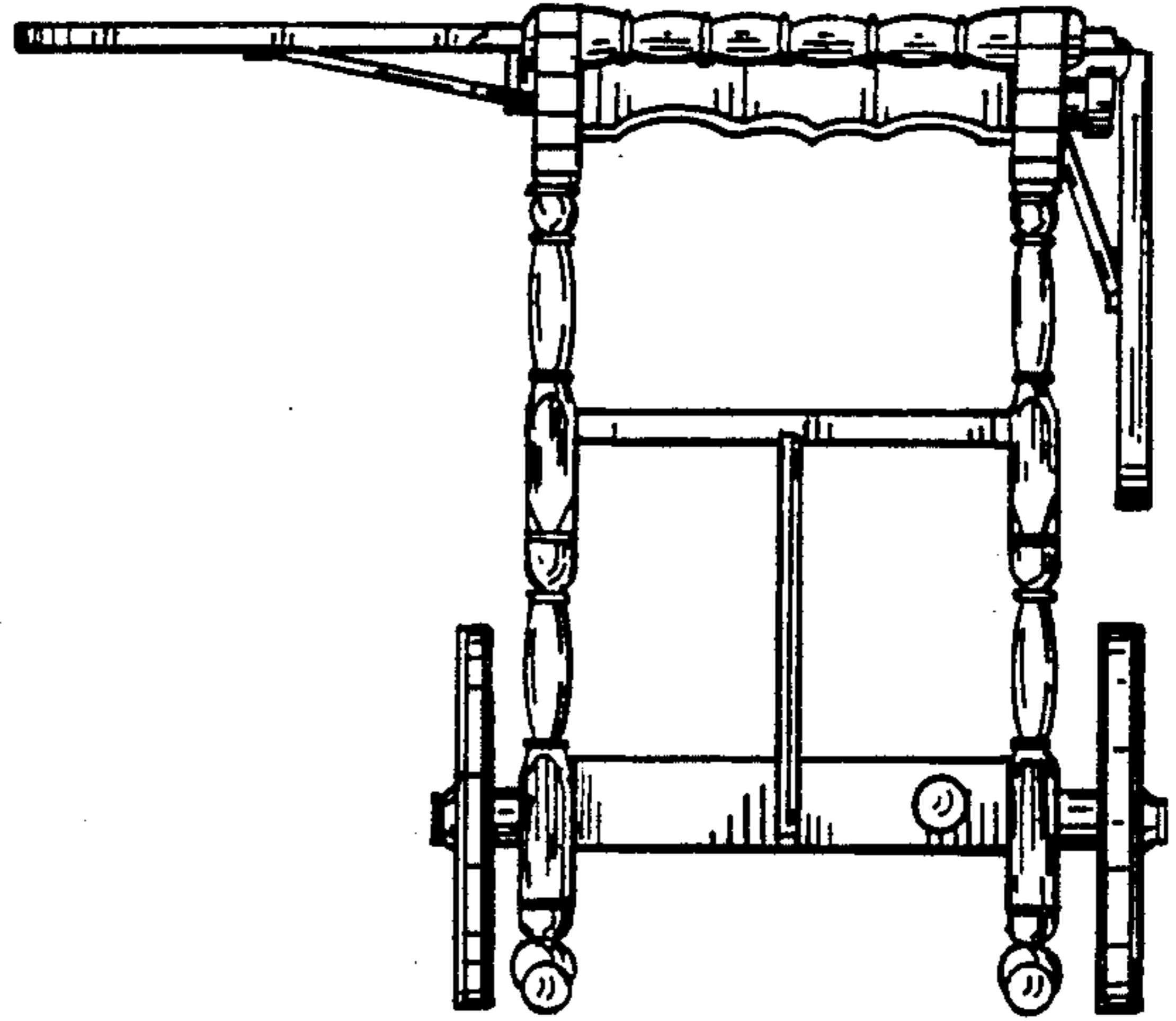


FIG. 4

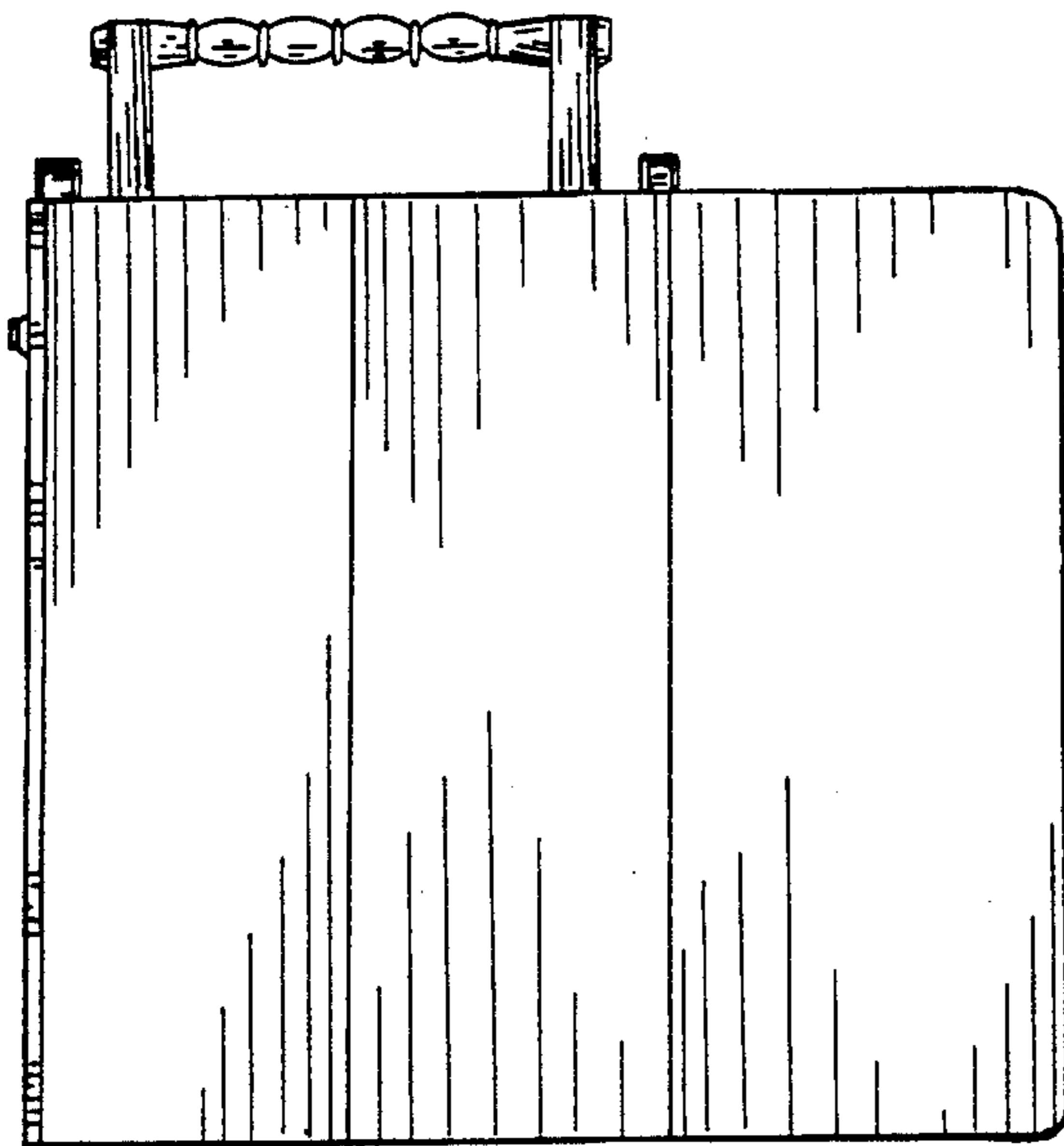


FIG. 7

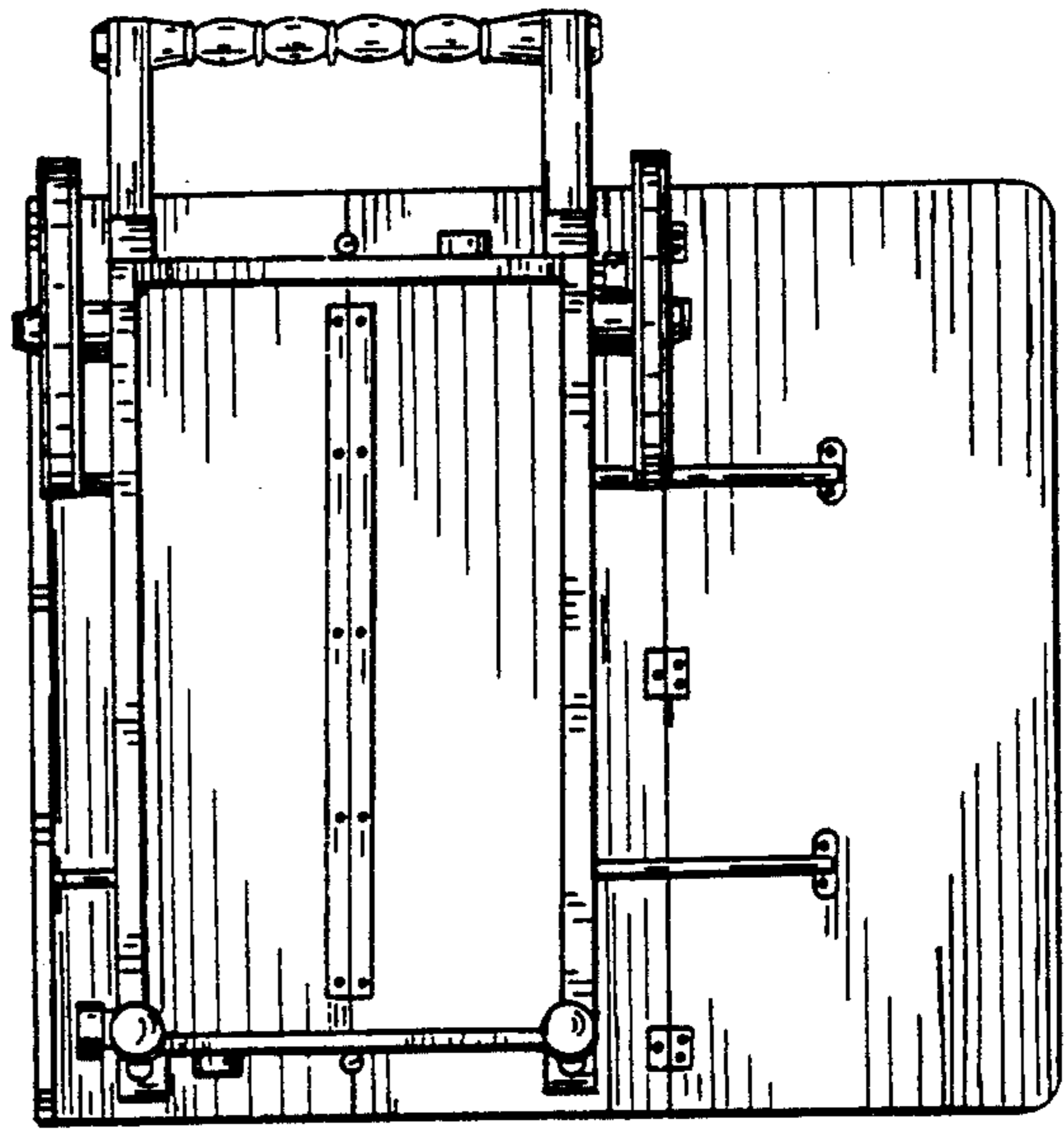


FIG. 6

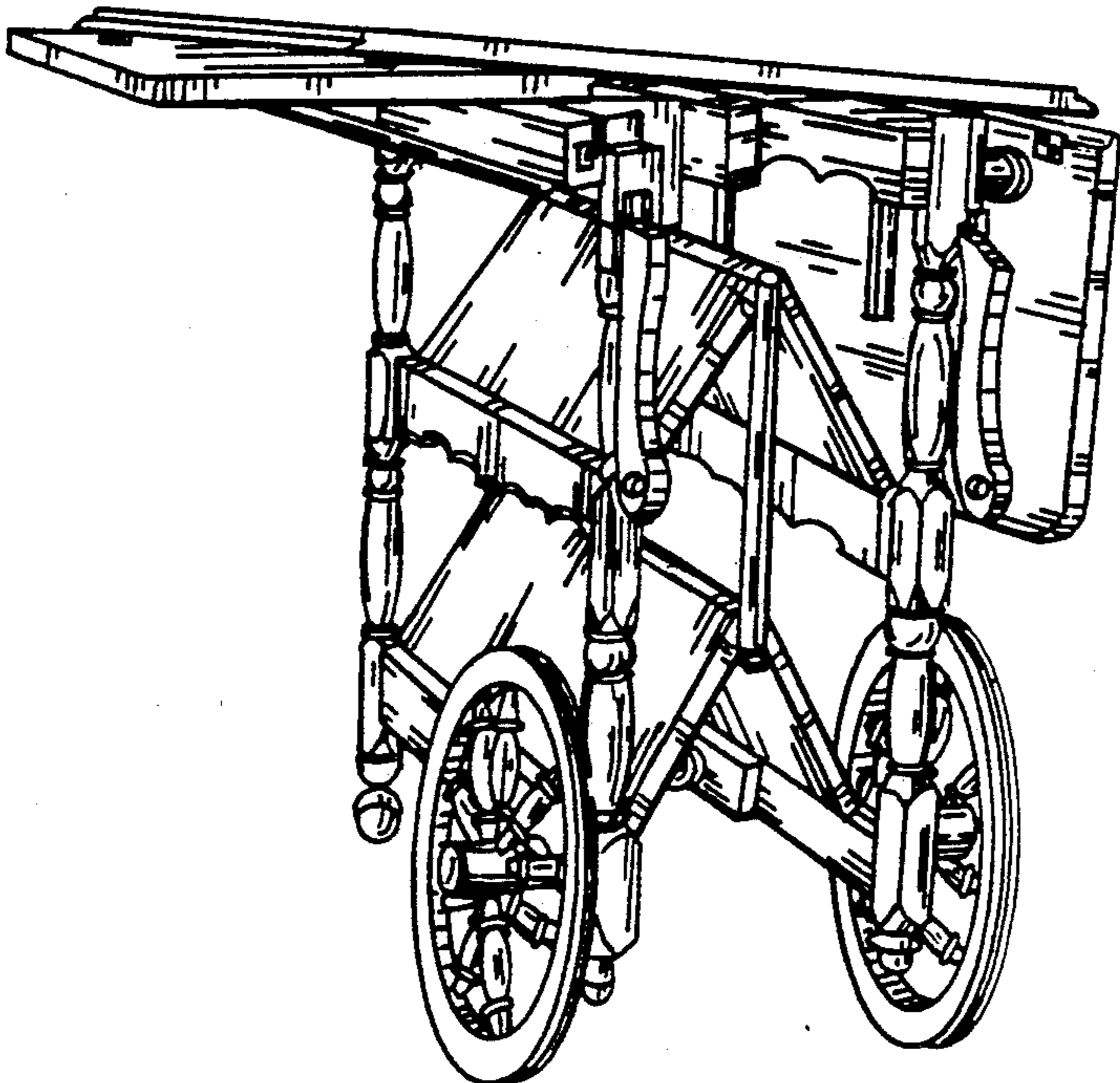


FIG. 8

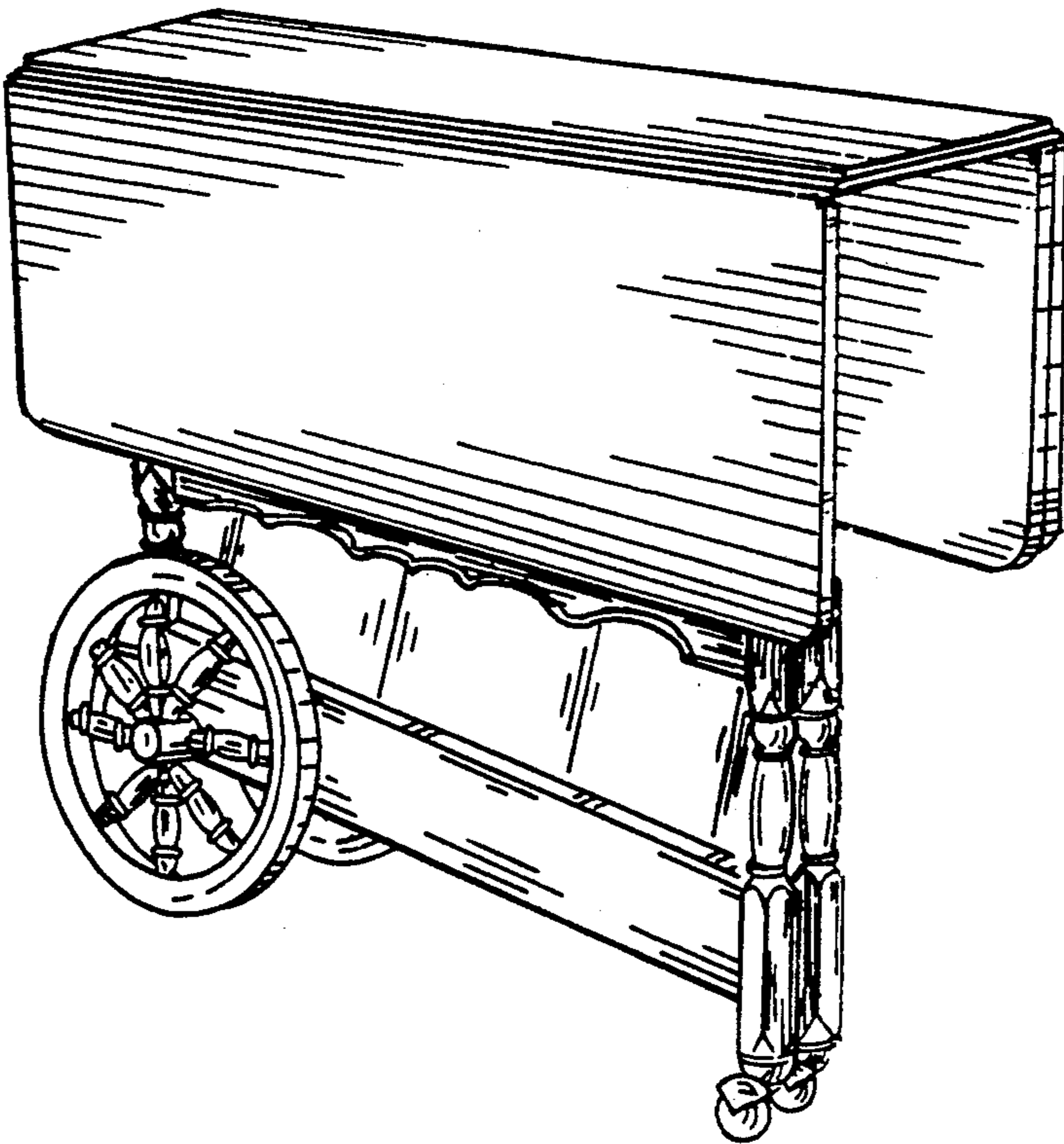


FIG. 9