



US00D323249S

United States Patent [19]

[11] Patent Number: **Des. 323,249**

Schwartz

[45] Date of Patent: **** Jan. 21, 1992**

[54] **ARM CHAIR**

[75] Inventor: **Larry A. Schwartz, Franklin Lakes, N.J.**

[73] Assignee: **Magellan International, Inc., Fort Lee, N.J.**

[**] Term: **14 Years**

[21] Appl. No.: **658,840**

[22] Filed: **Feb. 21, 1991**

[52] U.S. Cl. **D6/370; D6/374; D6/379**

[58] Field of Search **D6/334, 359, 362, 370, D6/371, 372, 373, 374, 375, 379, 380, 500**

[56] **References Cited**

U.S. PATENT DOCUMENTS

| | | | | |
|------------|---------|--------------|-------|----------|
| D. 113,144 | 1/1939 | Meitner | | D6/374 |
| D. 141,648 | 2/1945 | Bannister | | D6/374 |
| D. 142,758 | 7/1945 | Weill | | D6/375 |
| D. 145,678 | 4/1945 | Roth | | D6/375 |
| D. 166,058 | 2/1951 | Williams | | D6/373 |
| D. 213,438 | 3/1969 | Koch | | D6/374 |
| D. 223,569 | 5/1972 | Grosfillex | | D6/359 |
| D. 235,712 | 7/1975 | Laylon | | D6/374 |
| D. 277,346 | 1/1985 | Steinberger | | D6/374 |
| D. 277,908 | 3/1985 | Liisberg | | D6/373 |
| D. 279,243 | 6/1985 | Vanderminden | | D6/370 |
| D. 280,474 | 9/1985 | Vanderminden | | D6/380 |
| D. 289,238 | 4/1987 | Arthur, Jr. | | D6/379 |
| D. 289,349 | 4/1987 | Vanderminden | | D6/379 |
| D. 289,709 | 5/1987 | Goldman | | D6/379 X |
| D. 291,391 | 8/1987 | Arthur, Jr. | | D6/379 X |
| D. 291,632 | 9/1987 | Zola | | D6/379 |
| D. 294,436 | 3/1988 | Colby | | D6/379 X |
| D. 295,240 | 4/1988 | Stubblefield | | D6/379 |
| D. 296,848 | 7/1988 | Colby | | D6/379 |
| D. 298,787 | 12/1988 | Greene | | D6/373 |
| D. 300,587 | 4/1989 | Uredat | | D6/379 |
| D. 300,588 | 4/1989 | White | | D6/379 |
| D. 305,389 | 1/1990 | Bellini | | D6/379 |
| D. 308,306 | 6/1990 | Dozsa-Farkas | | D6/379 |
| D. 311,460 | 10/1990 | Greene | | D6/379 |
| D. 313,515 | 1/1991 | Wood | | D6/370 X |
| 2,218,863 | 11/1938 | Wagner | | 297/288 |
| 4,784,435 | 11/1988 | Leib | | D6/362 X |
| 4,787,671 | 11/1988 | Wilson | | 297/35 |

OTHER PUBLICATIONS

Interiors, 12/1980, p. 62, chair at top right.
"Marsailles", *Omni 1988 Casual Furniture Promotional Catalog*, pp. 5-8.
"Verina" and "Tavia", *Omni 1988 Casual Furniture Promotional Catalog*, pp. 2-3 and 8-9, H. Friedman Sales Corps.' catalog.

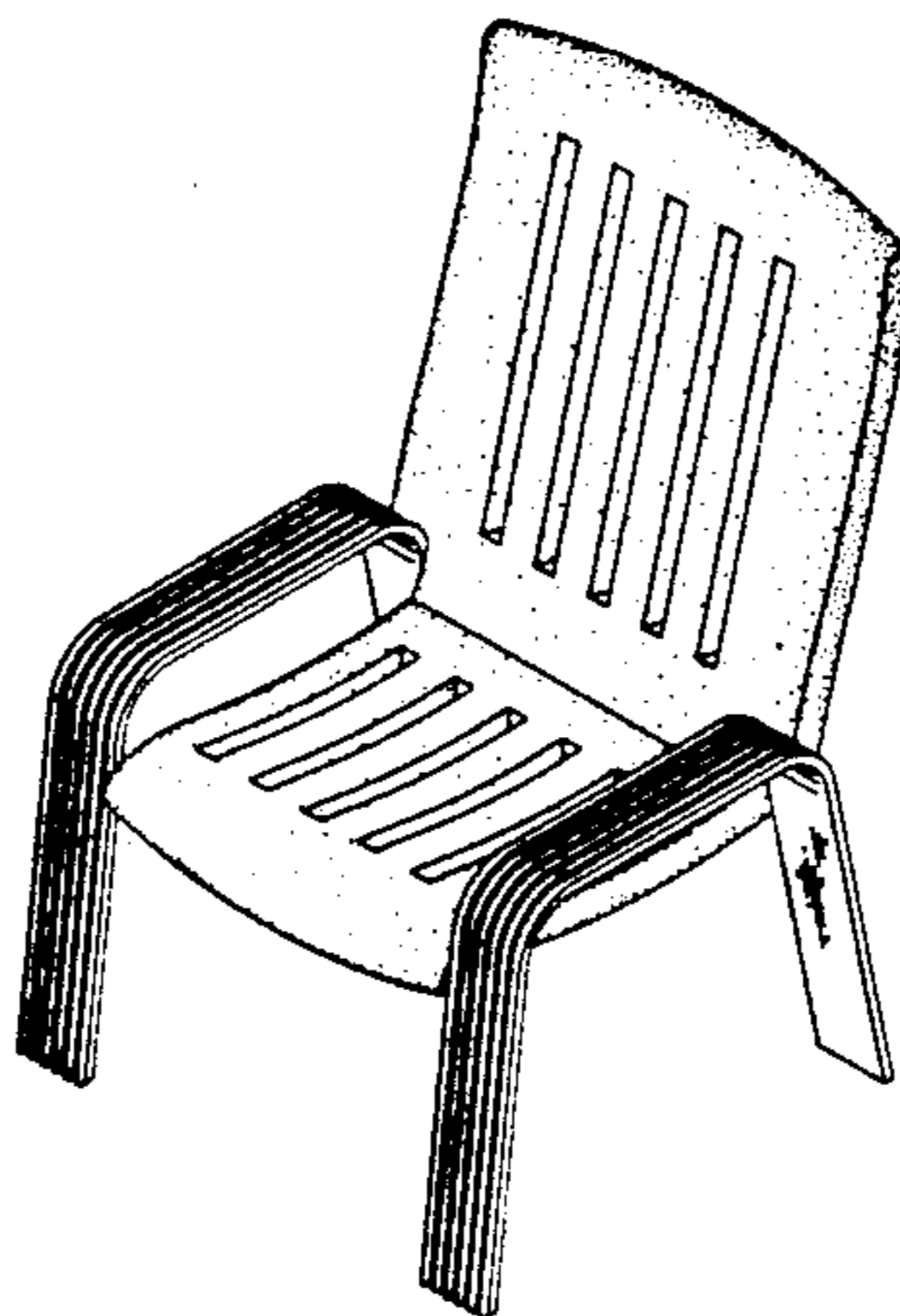
Primary Examiner—Bruce W. Dunkins
Assistant Examiner—Gary D. Watson
Attorney, Agent, or Firm—Lerner, David, Littenberg, Krumholz & Mentlik

[57] **CLAIM**

The ornamental design for an arm chair, as shown and described.

DESCRIPTION

FIG. 1 is a front perspective view, taken slightly from above, of an arm chair showing my new design;
FIG. 2 is a front elevational view;
FIG. 3 is a right side elevational view, the left side being a mirror image thereof;
FIG. 4 is a top plan view;
FIG. 5 is a rear elevational view;
FIG. 6 is a bottom plan view;
FIG. 7 is a front perspective view, taken slightly from above, of a second embodiment of an arm chair showing my new design;
FIG. 8 is a front elevational view;
FIG. 9 is a right side elevational view, the left side being a mirror image thereof;
FIG. 10 is a top plan view;
FIG. 11 is a rear elevational view;
FIG. 12 is a bottom plan view;
FIG. 13 is a front perspective view, taken slightly from above, of a third embodiment of an arm chair showing my new design;
FIG. 14 is a front elevational view;
FIG. 15 is a right side elevational view, the left side being a mirror image thereof;
FIG. 16 is a top plan view;
FIG. 17 is a rear elevational view;
FIG. 18 is a bottom plan view;
FIG. 19 is a front perspective view, taken slightly from



above, of a fourth embodiment of an arm chair showing my new design;

FIG. 20 is a front elevational view;

FIG. 21 is a right side elevational view, the left side being a mirror image thereof;

FIG. 22 is a top plan view;

FIG. 23 is a rear elevational view;

FIG. 24 is a bottom plan view;

FIG. 25 is a front perspective view, taken slightly from above, of a fifth embodiment of an arm chair showing my new design;

FIG. 26 is a front elevational view;

FIG. 27 is a right side elevational view, the left side being a mirror image thereof;

FIG. 28 is a top plan view;

FIG. 29 is a rear elevational view;

FIG. 30 is a bottom plan view;

FIG. 31 is a front perspective view, taken slightly from above, of a sixth embodiment of an arm chair showing my new design;

FIG. 32 is a front elevational view;

FIG. 33 is a right side elevational view, the left side being a mirror image thereof;

FIG. 34 is a top plan view;

FIG. 35 is a rear elevational view; and

FIG. 36 is a bottom plan view thereof.

The characteristic feature of the design resides in the combination of inverted U-shaped legs with slotted separate seat and backrest members all as best illustrated in FIGS. 7 and 9.

FIG. 6

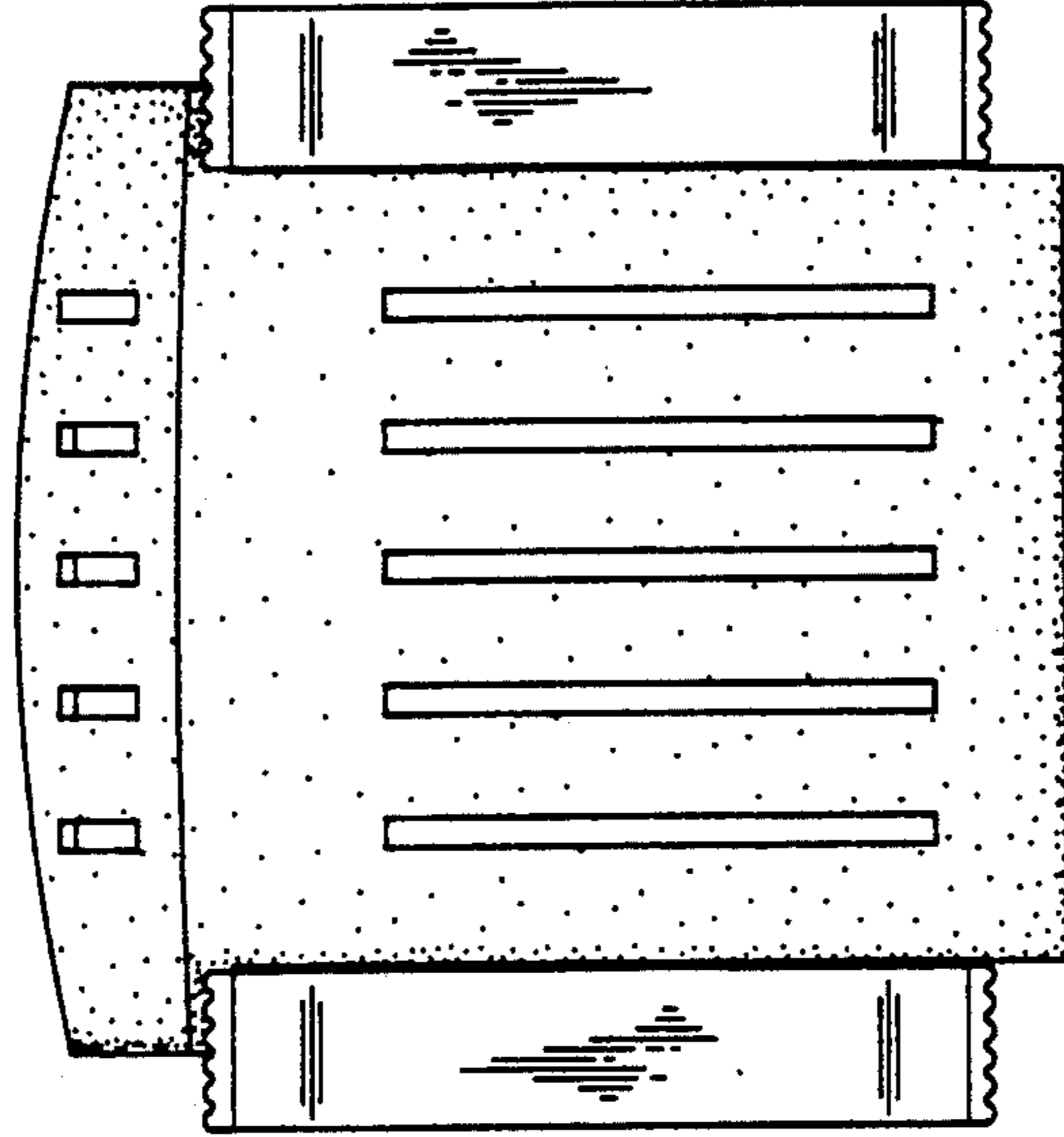


FIG. 1

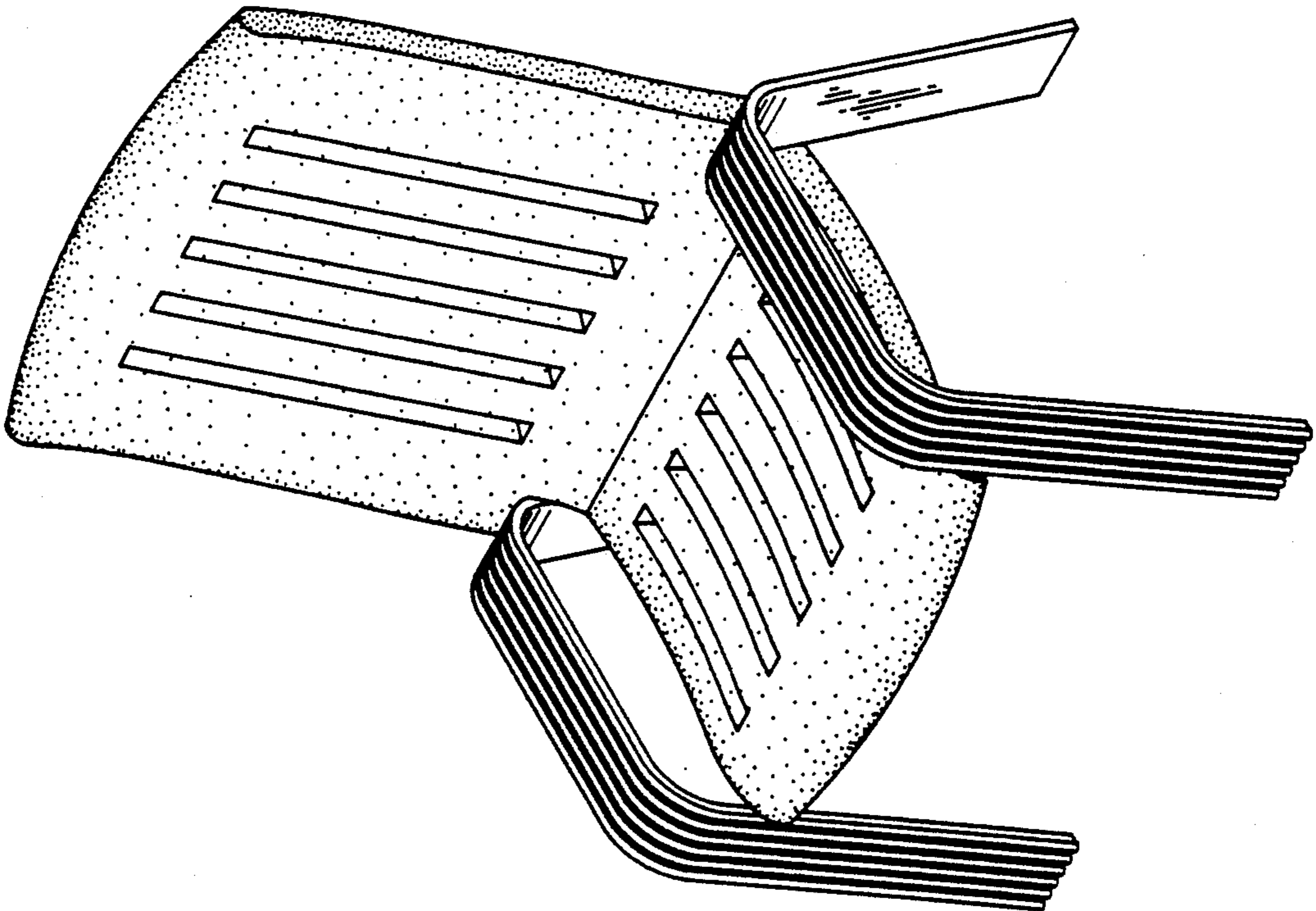


FIG. 3

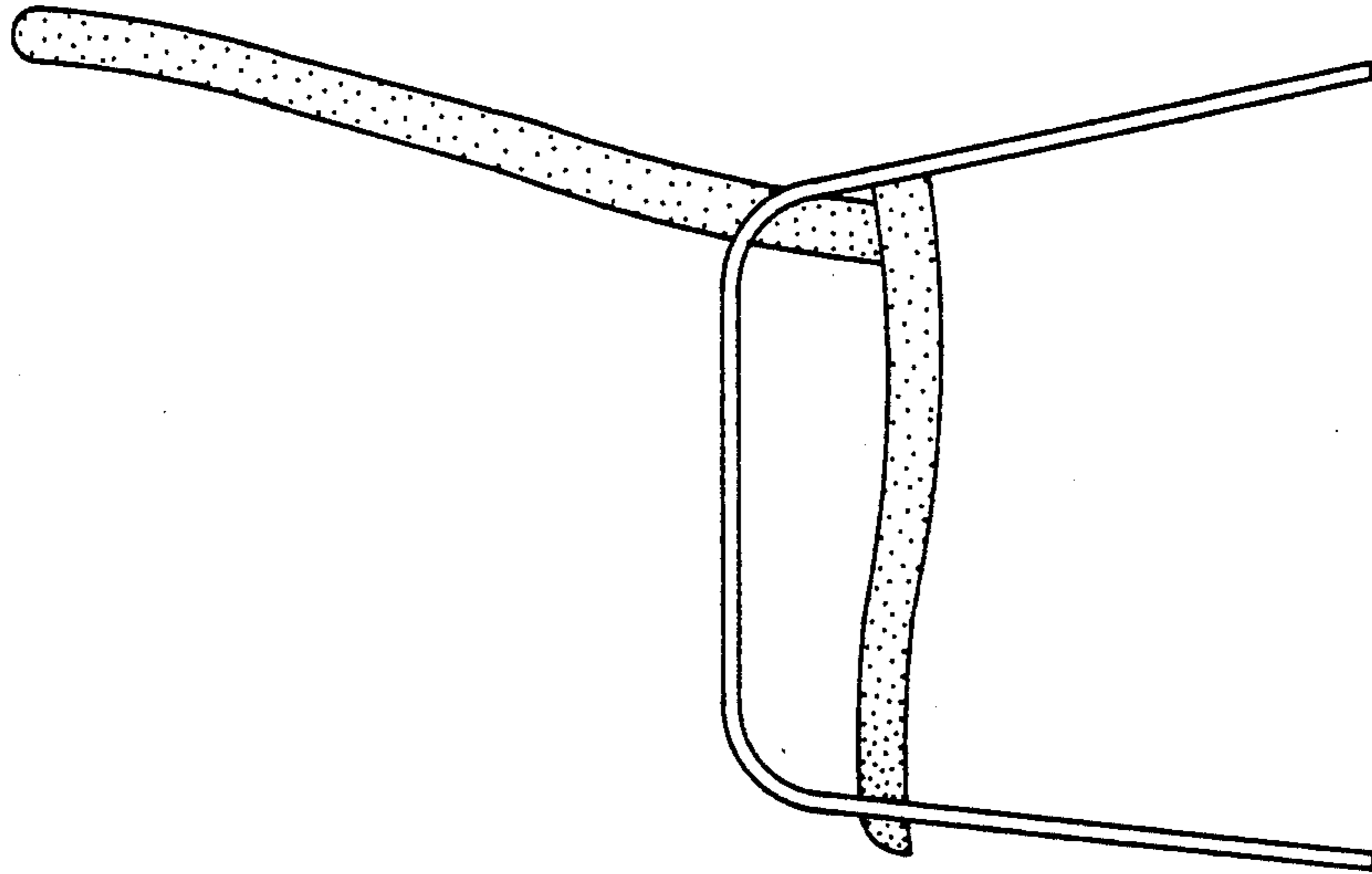
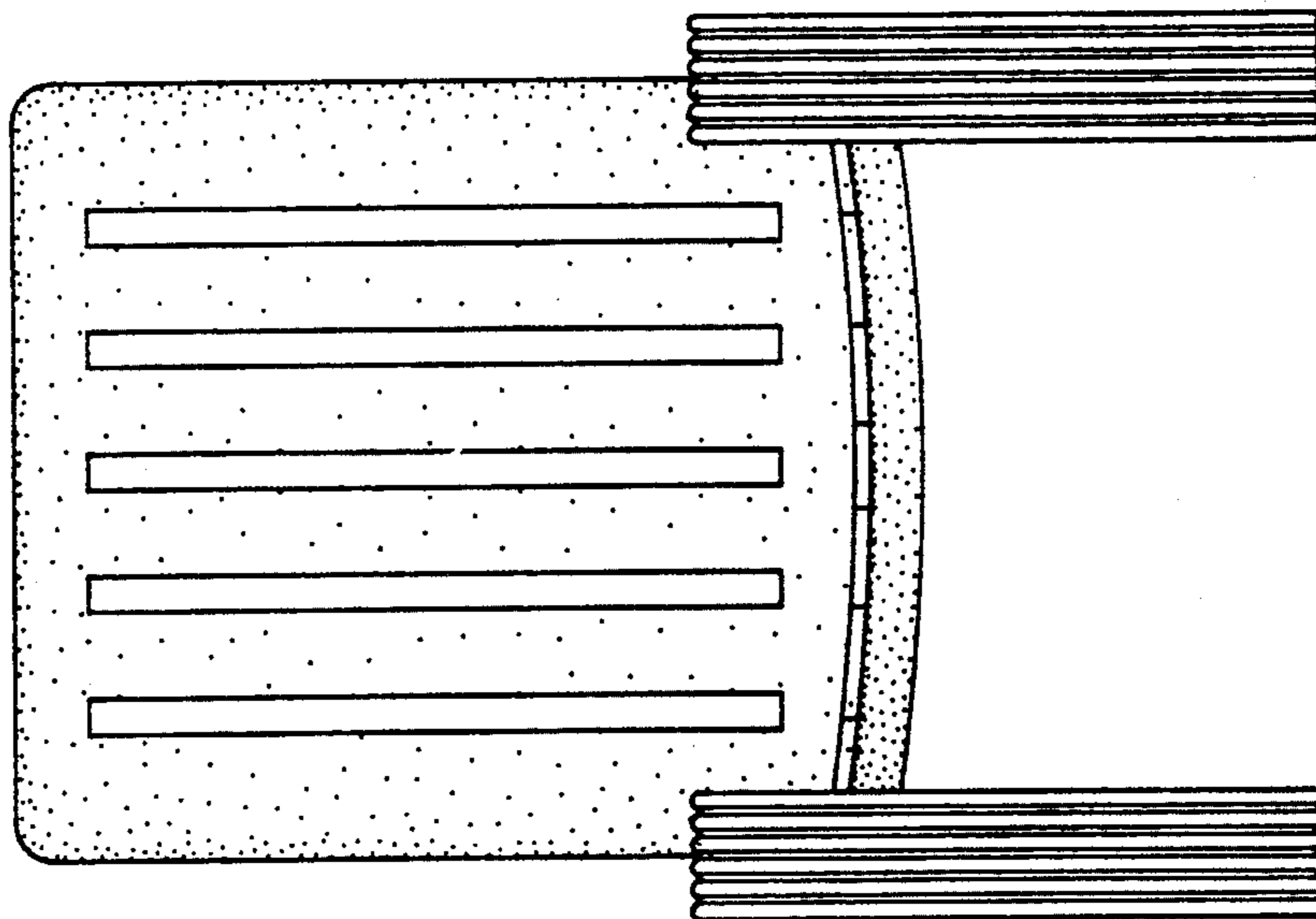


FIG. 2



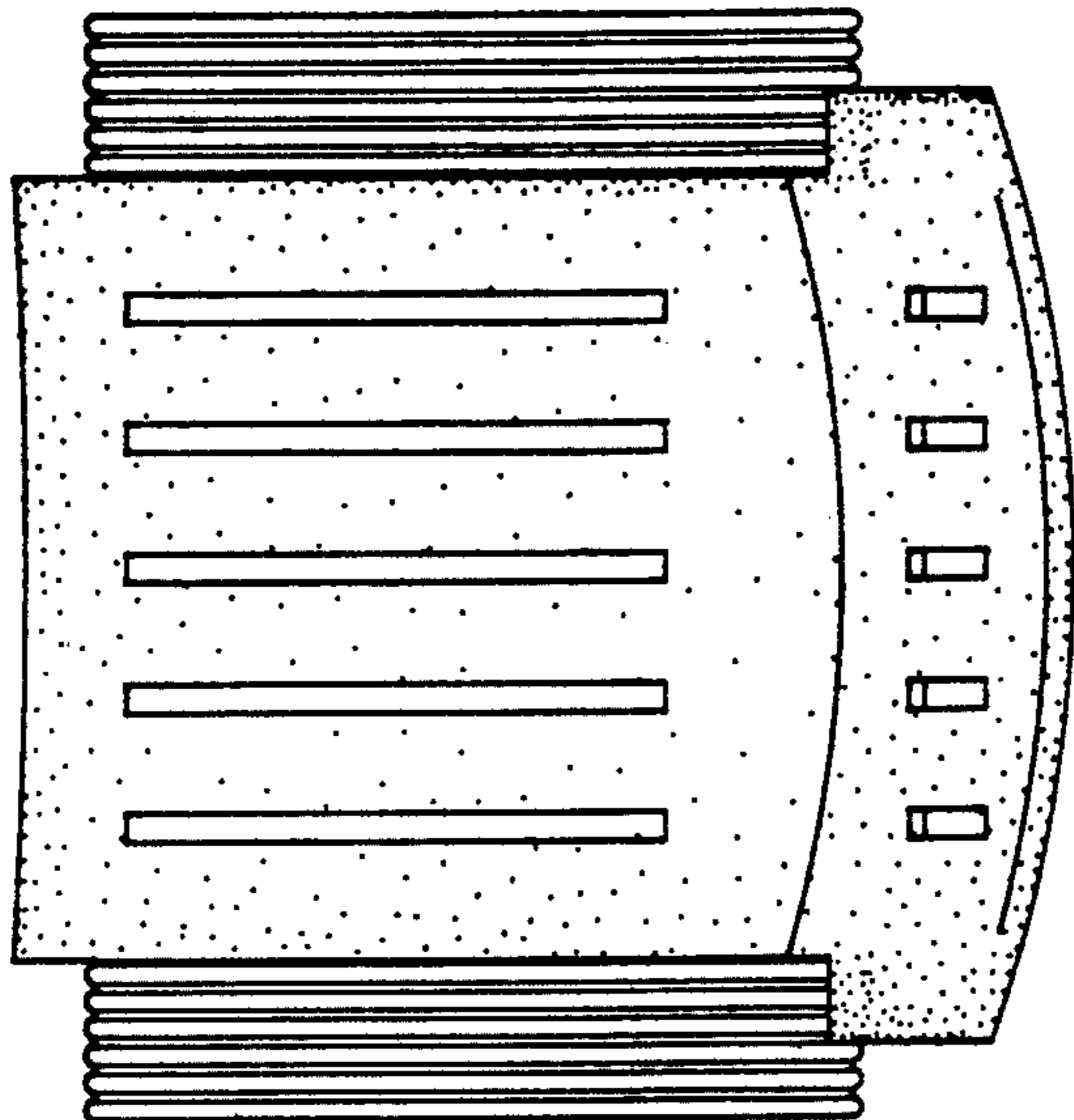


FIG. 4

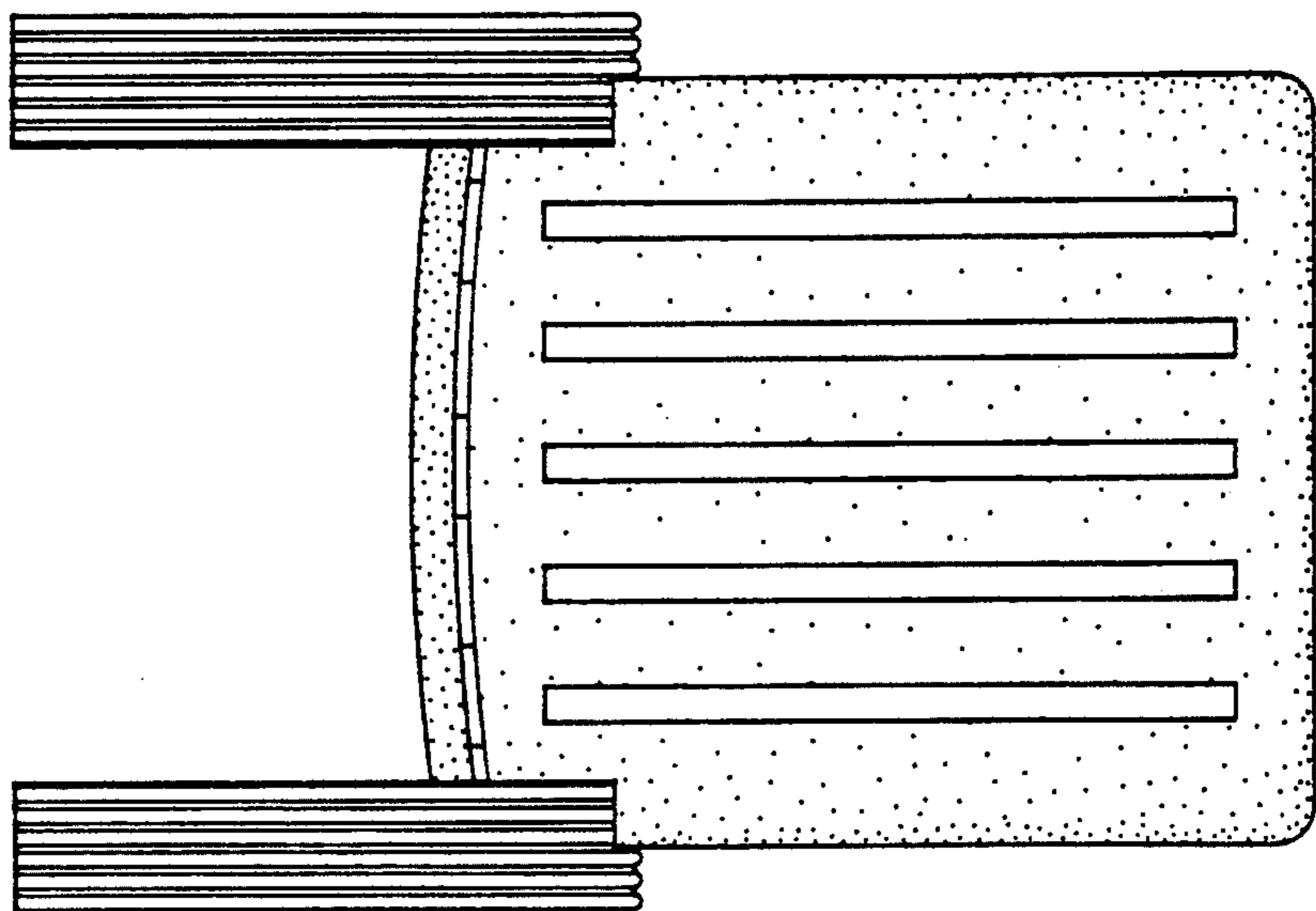


FIG. 5

FIG. 12

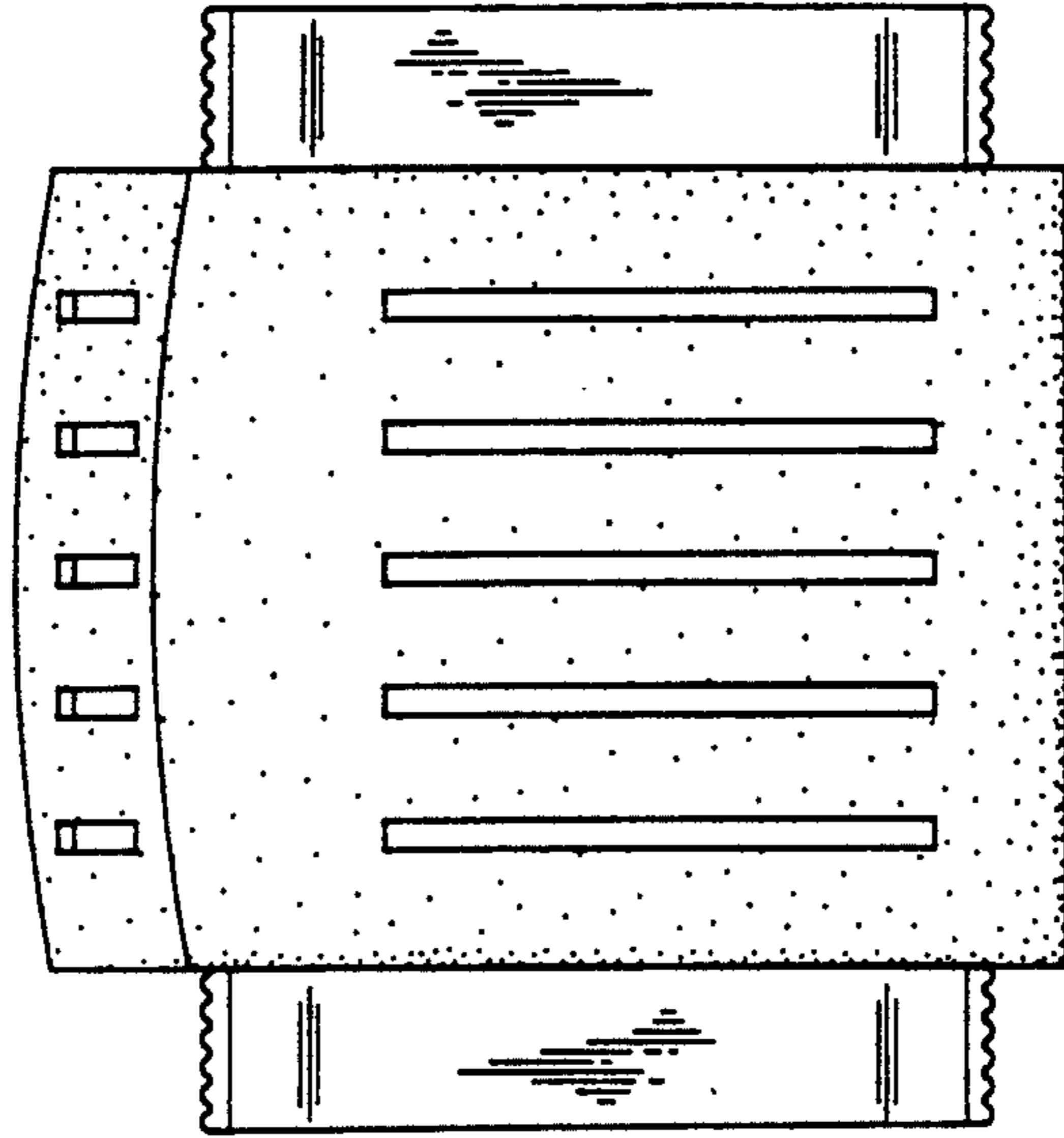
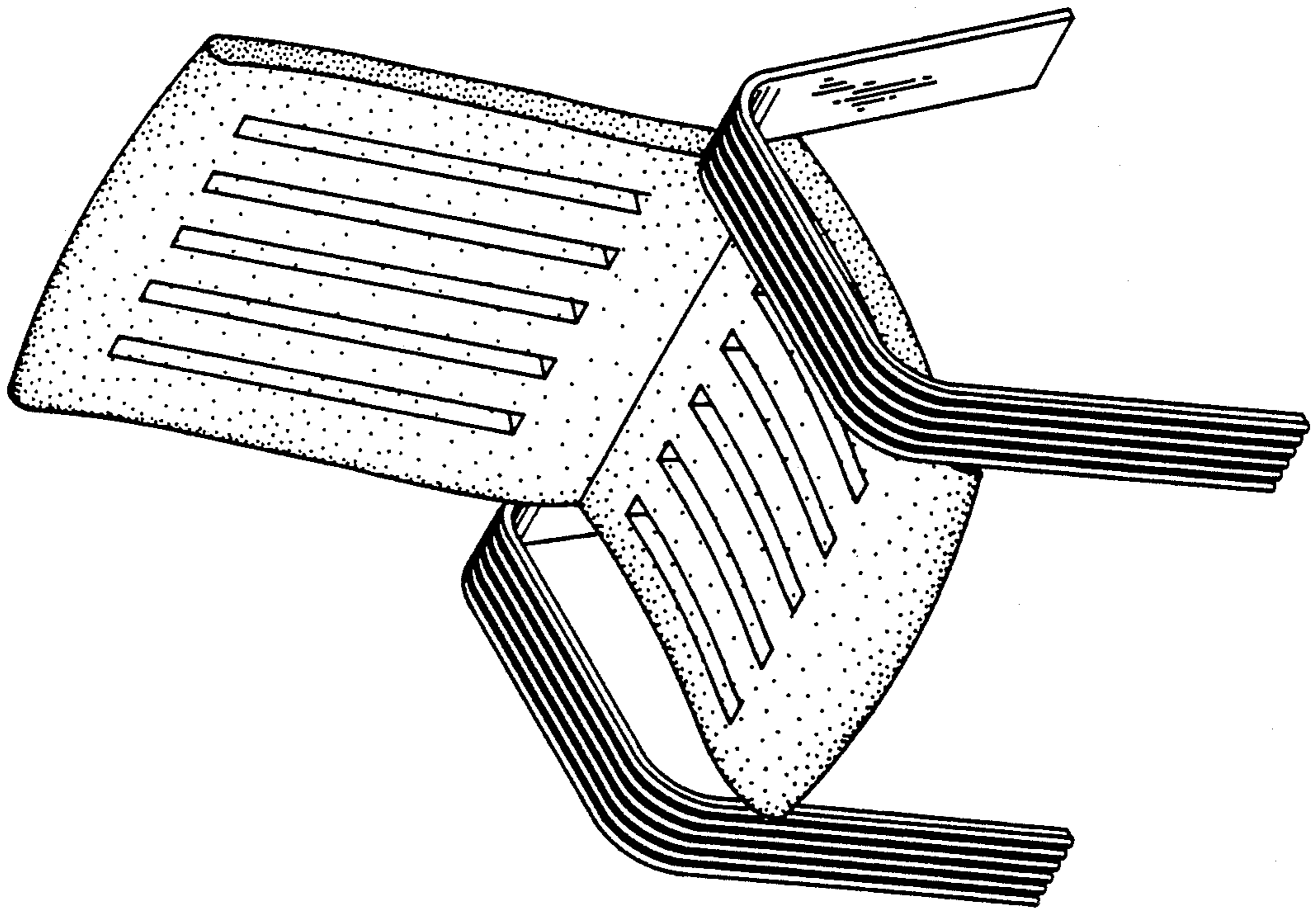


FIG. 7



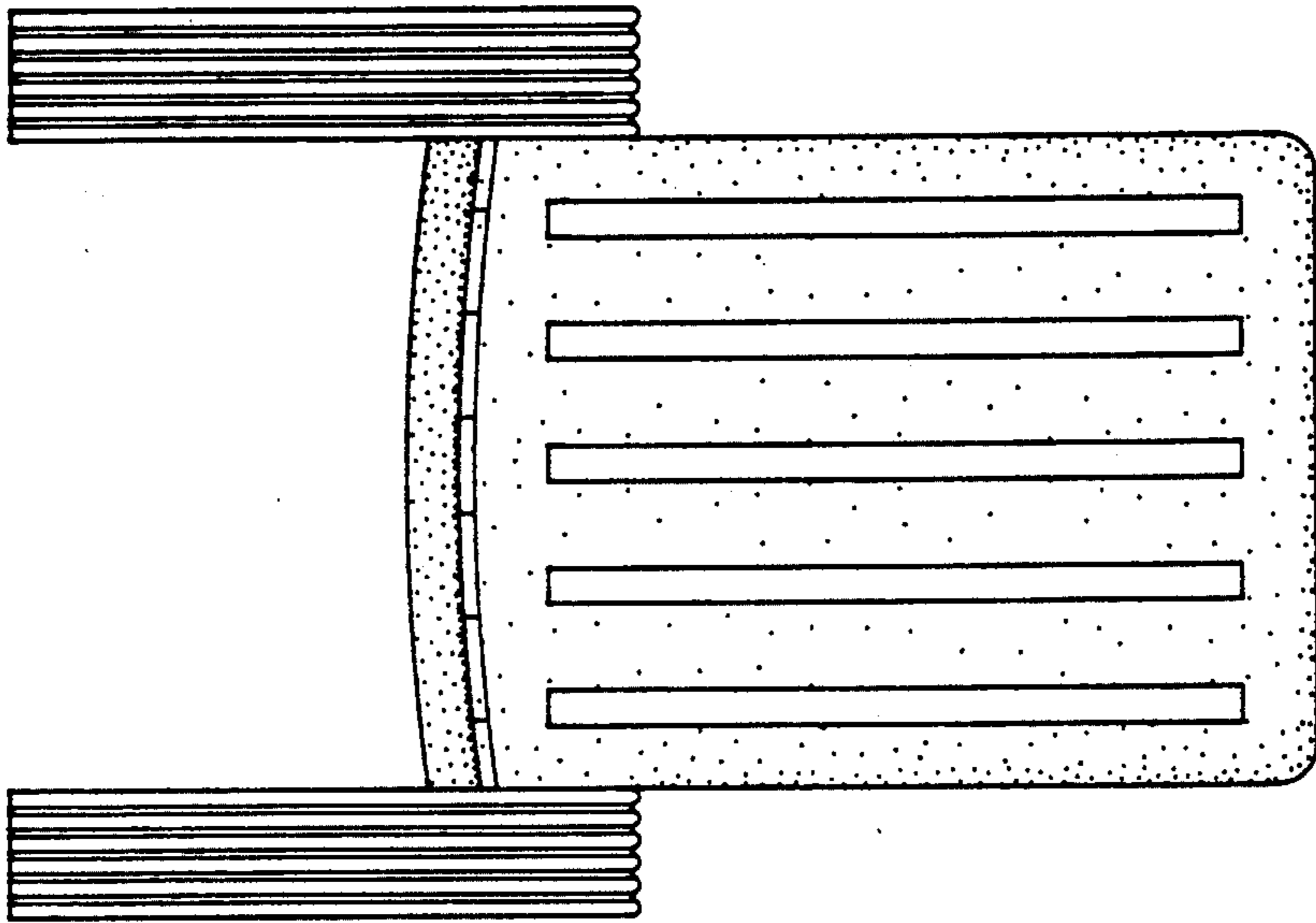


FIG. 8

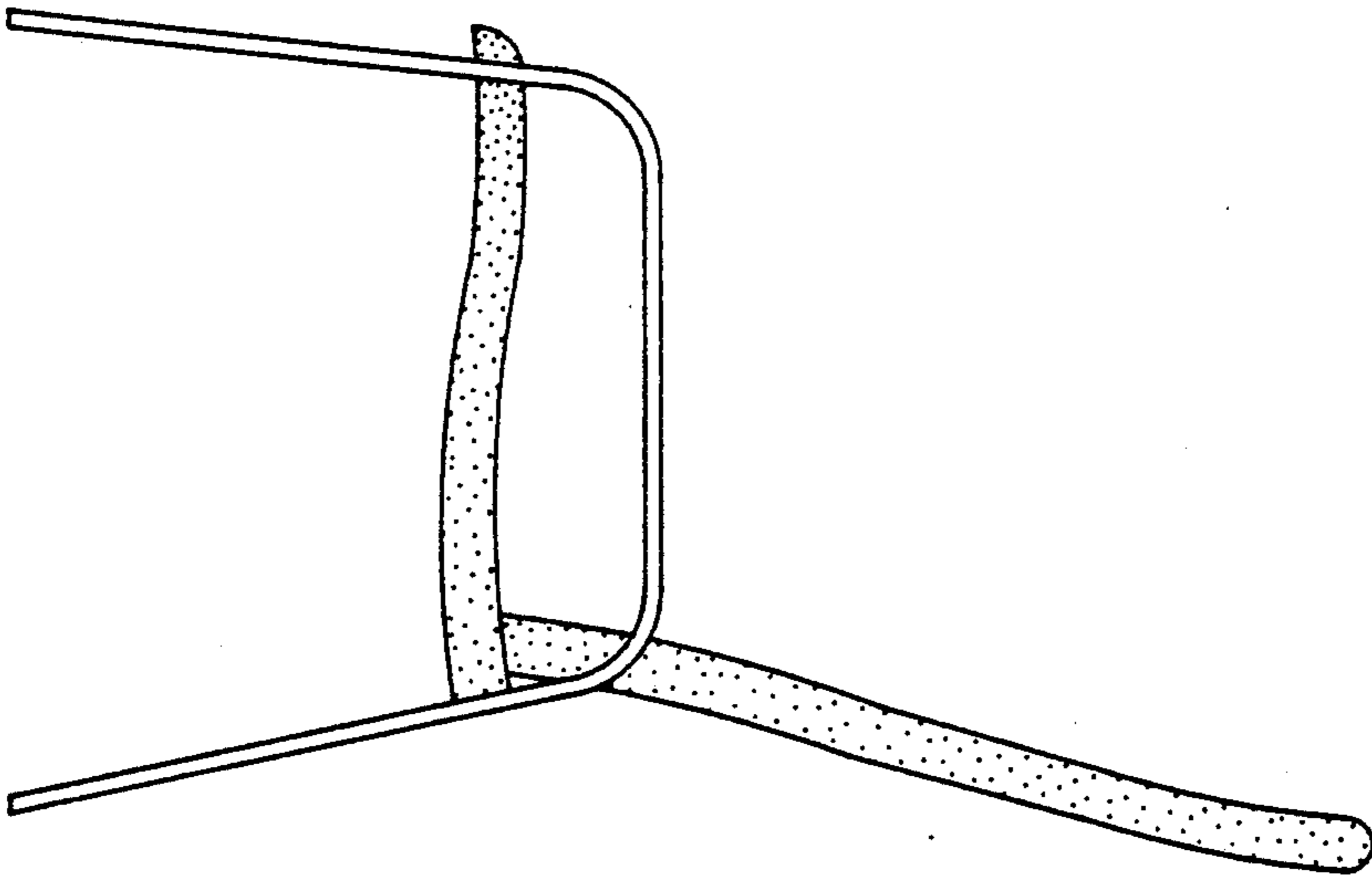


FIG. 9

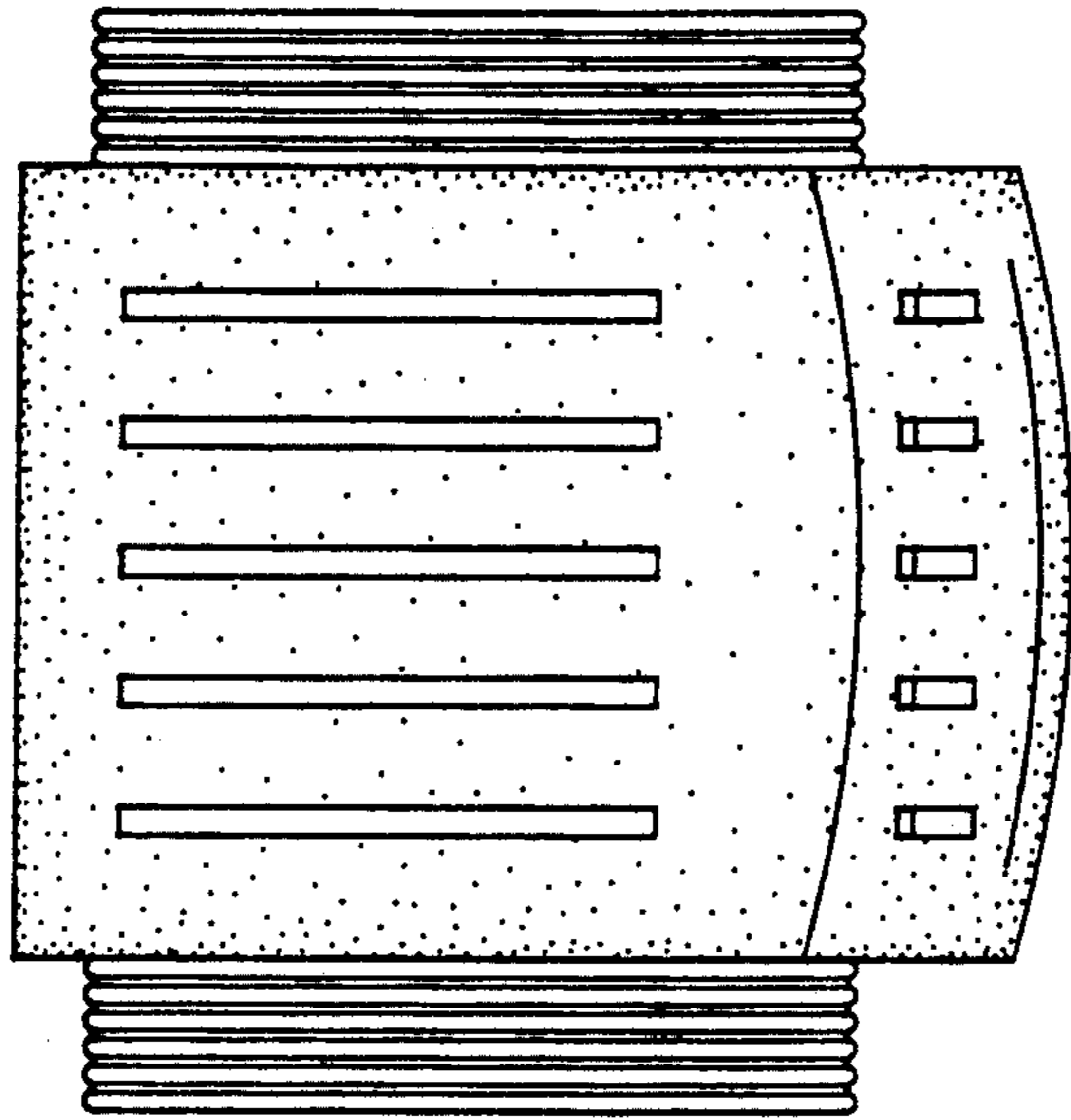


FIG. 10

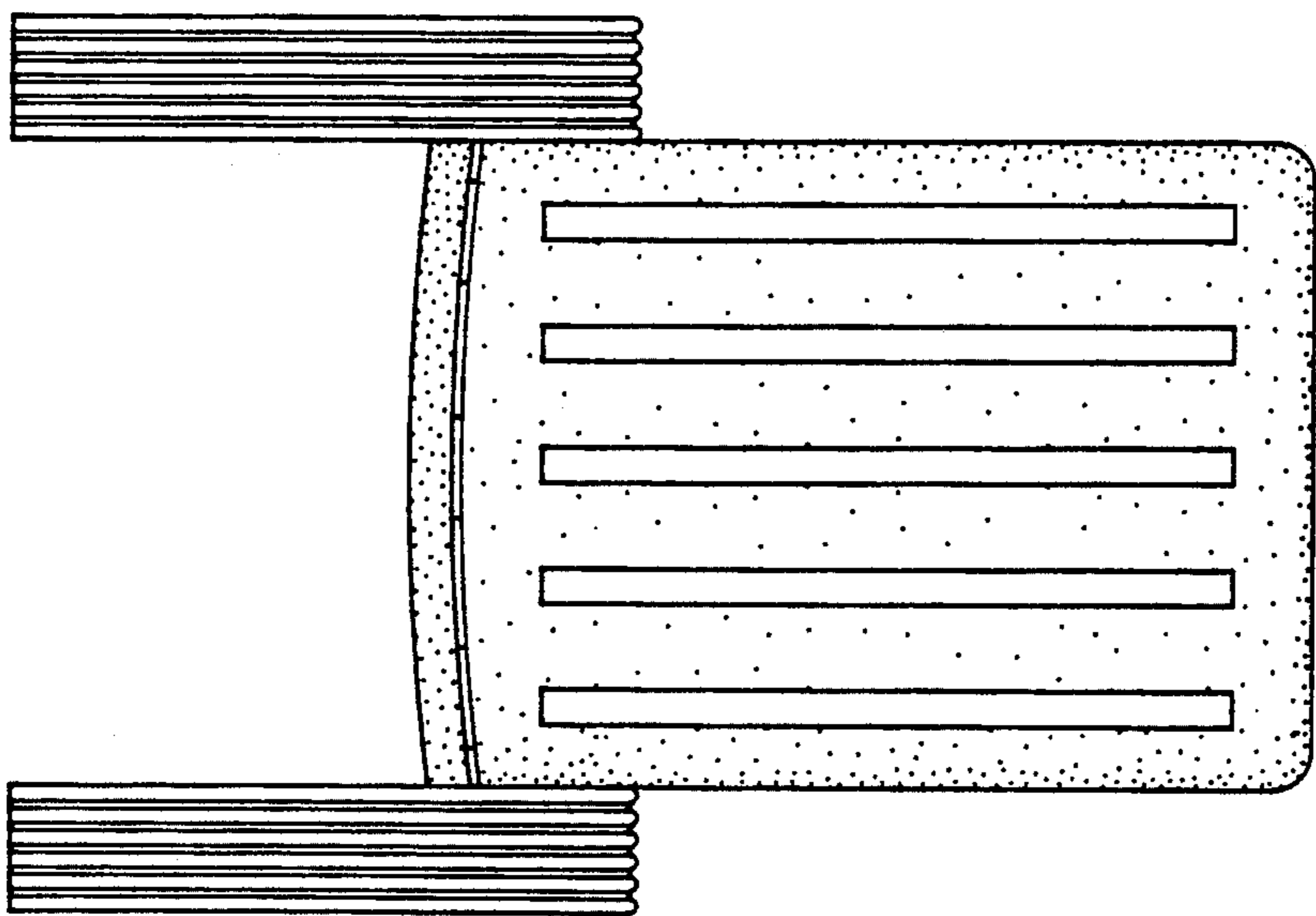


FIG. 11

FIG. 18

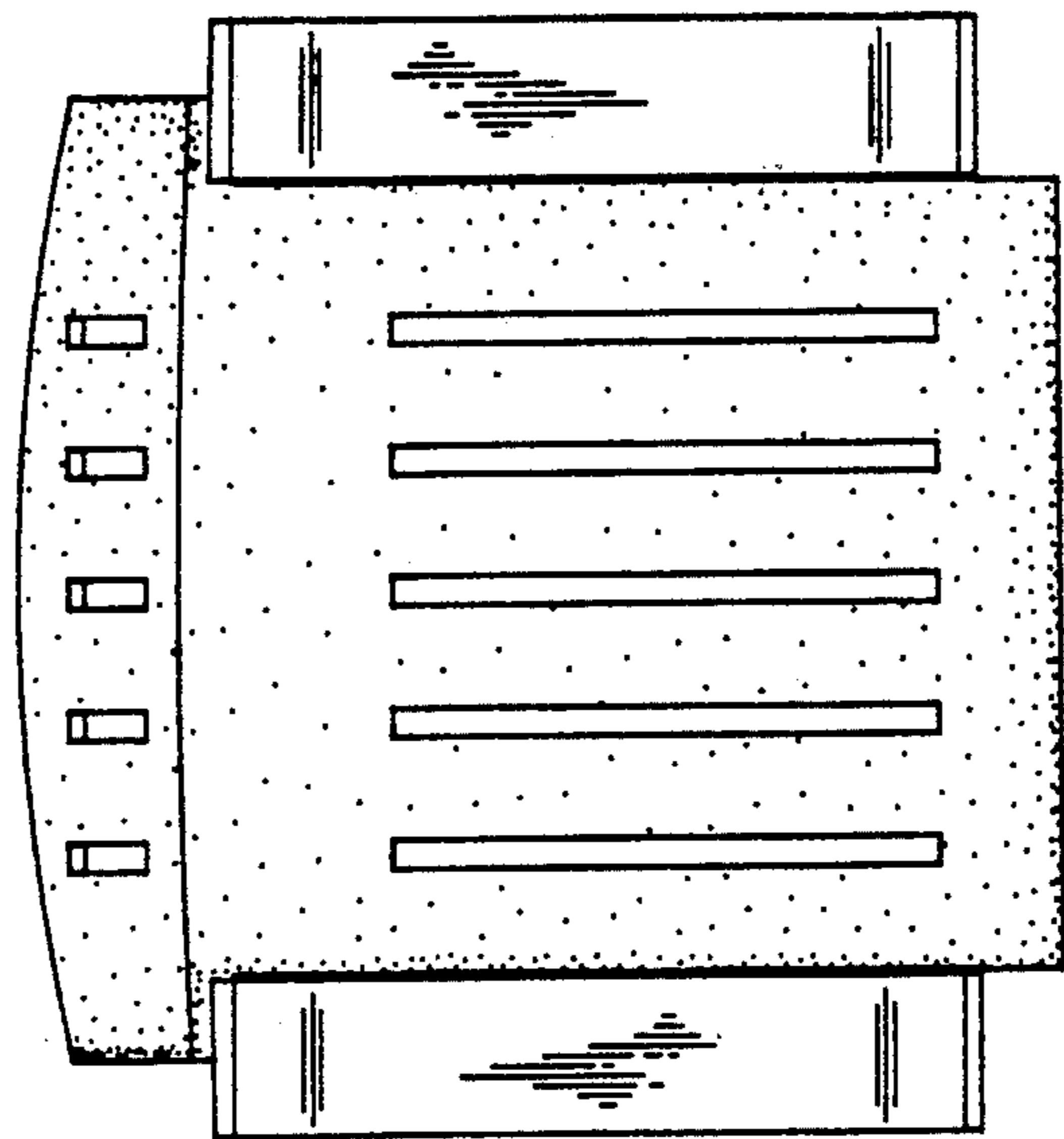
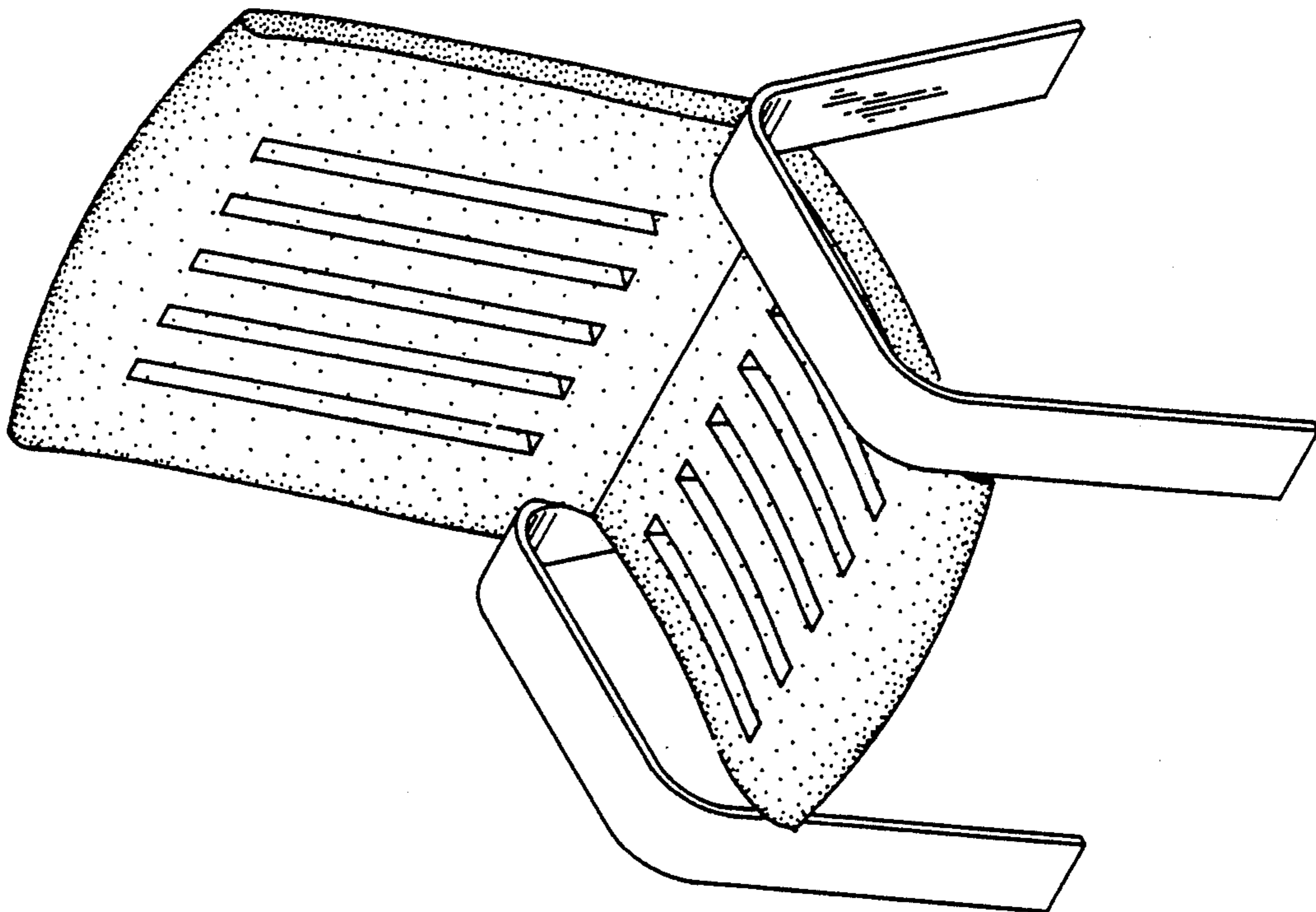


FIG. 13



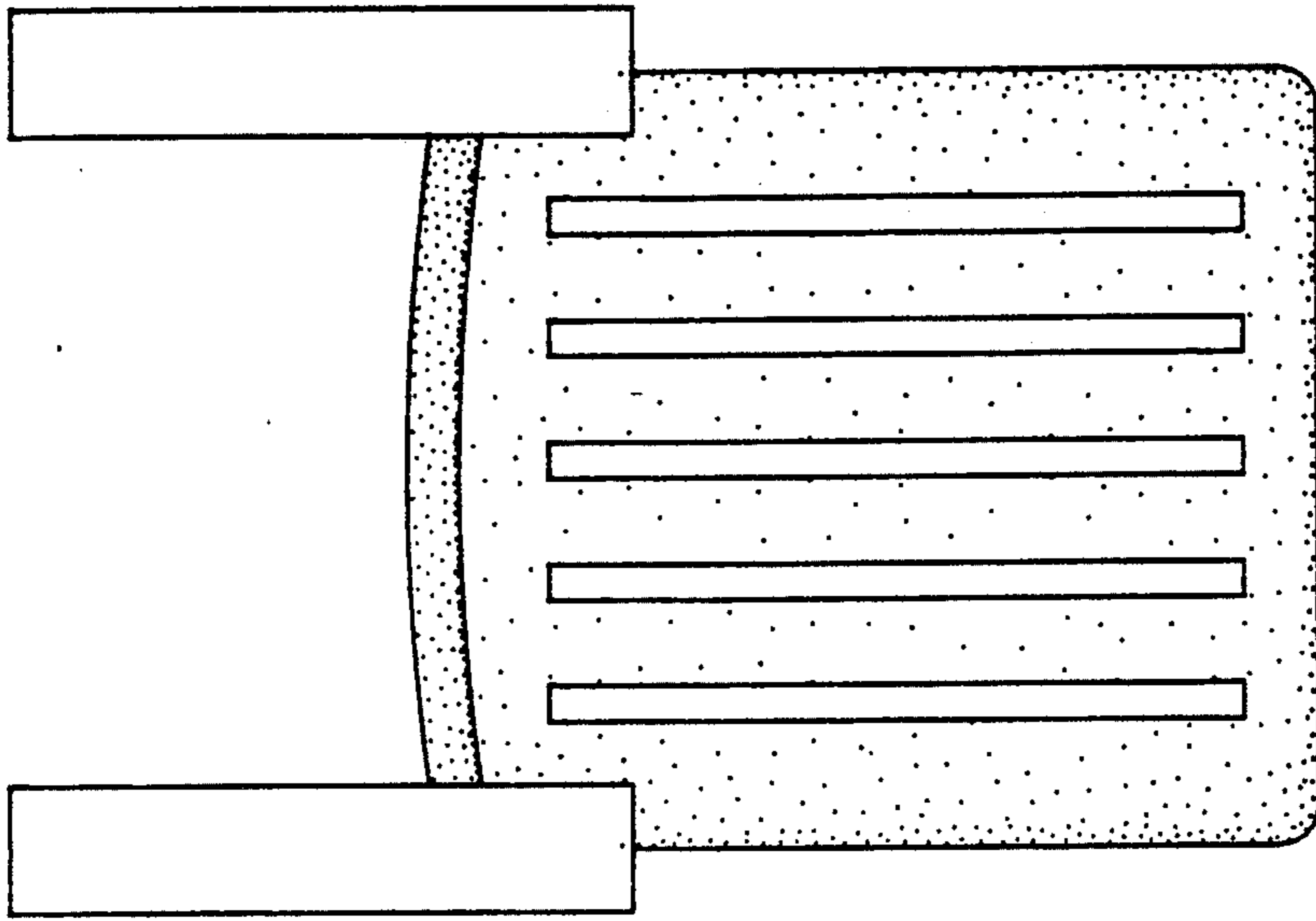


FIG. 14

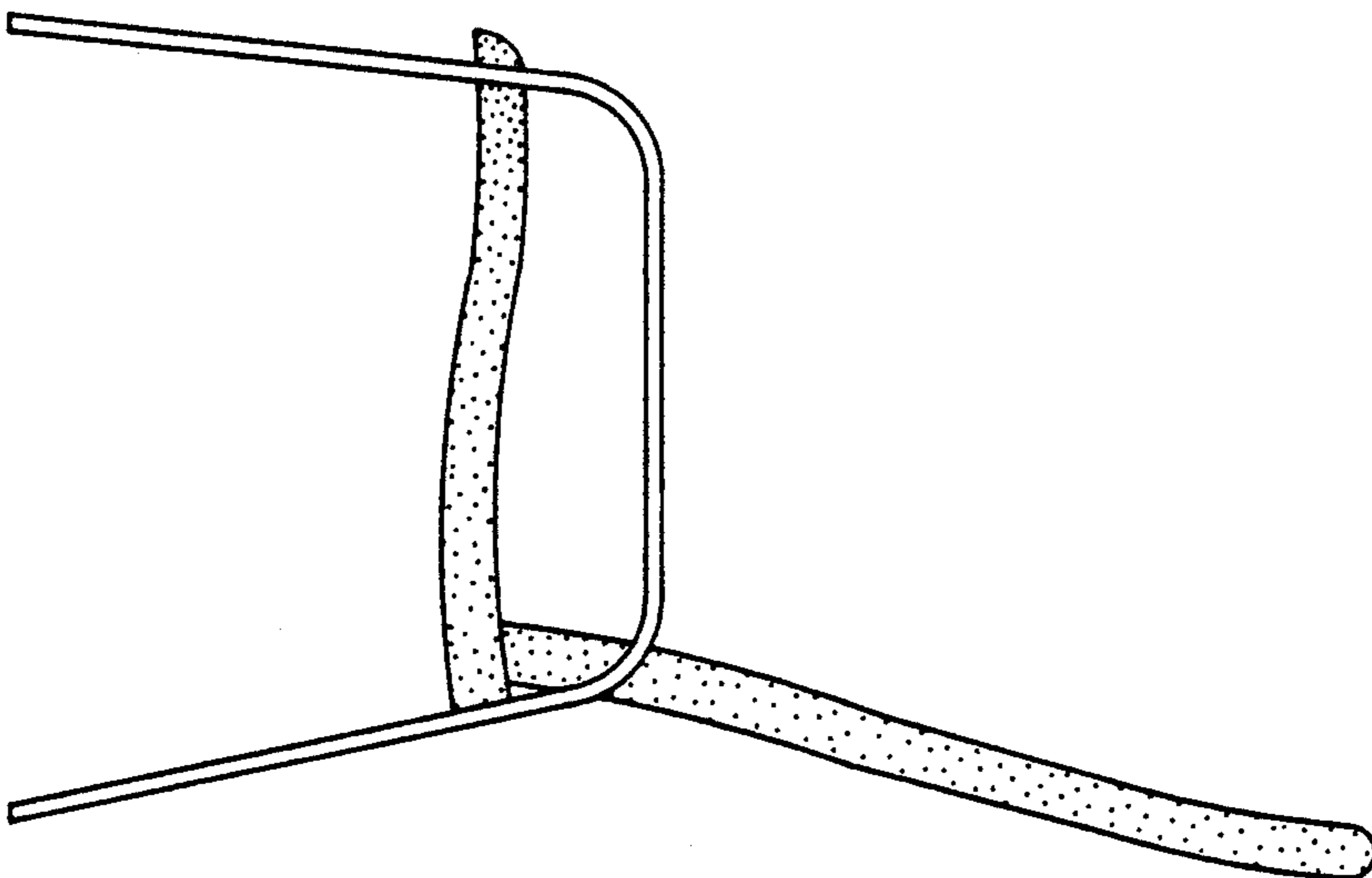


FIG. 15

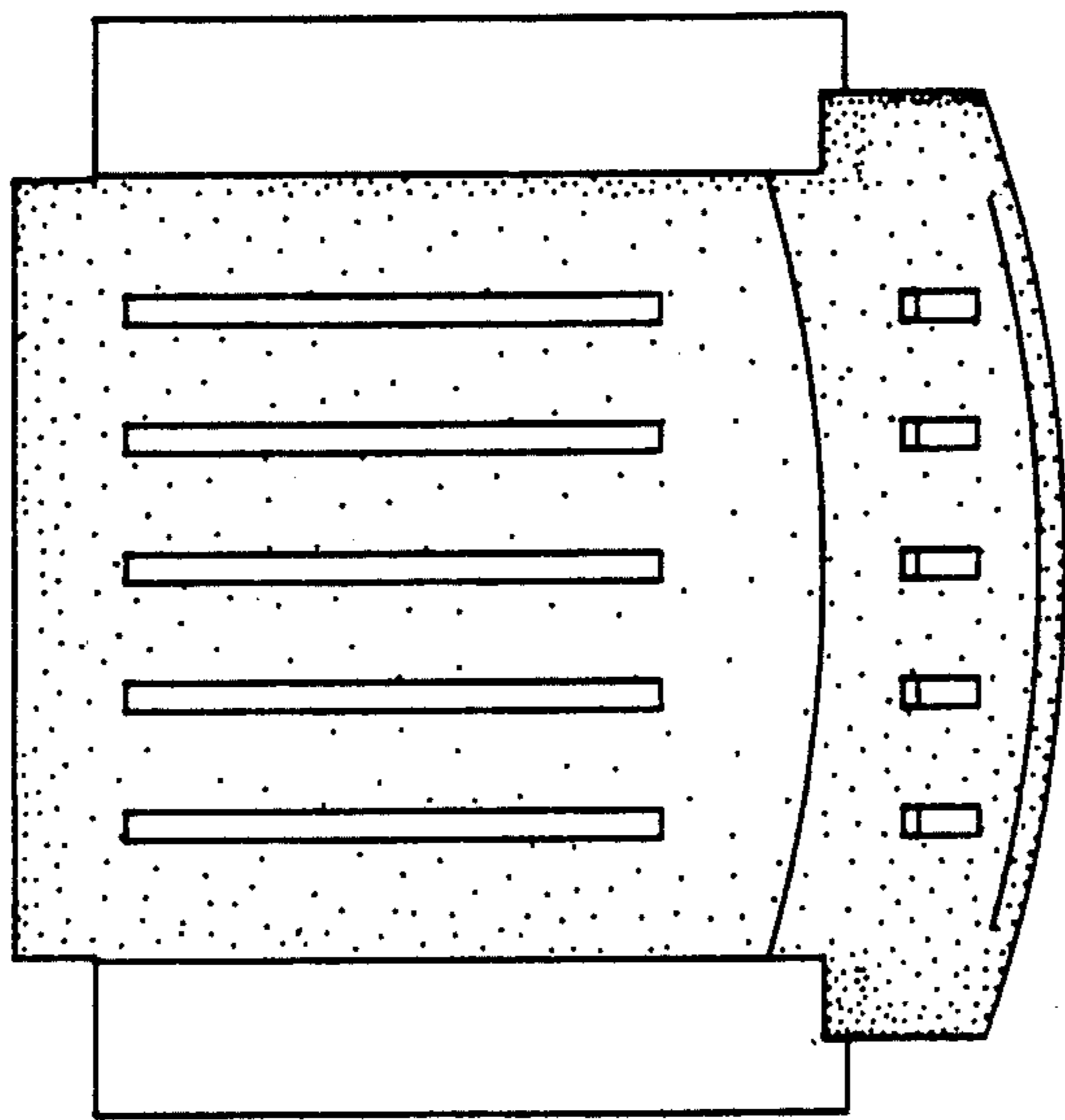


FIG. 16

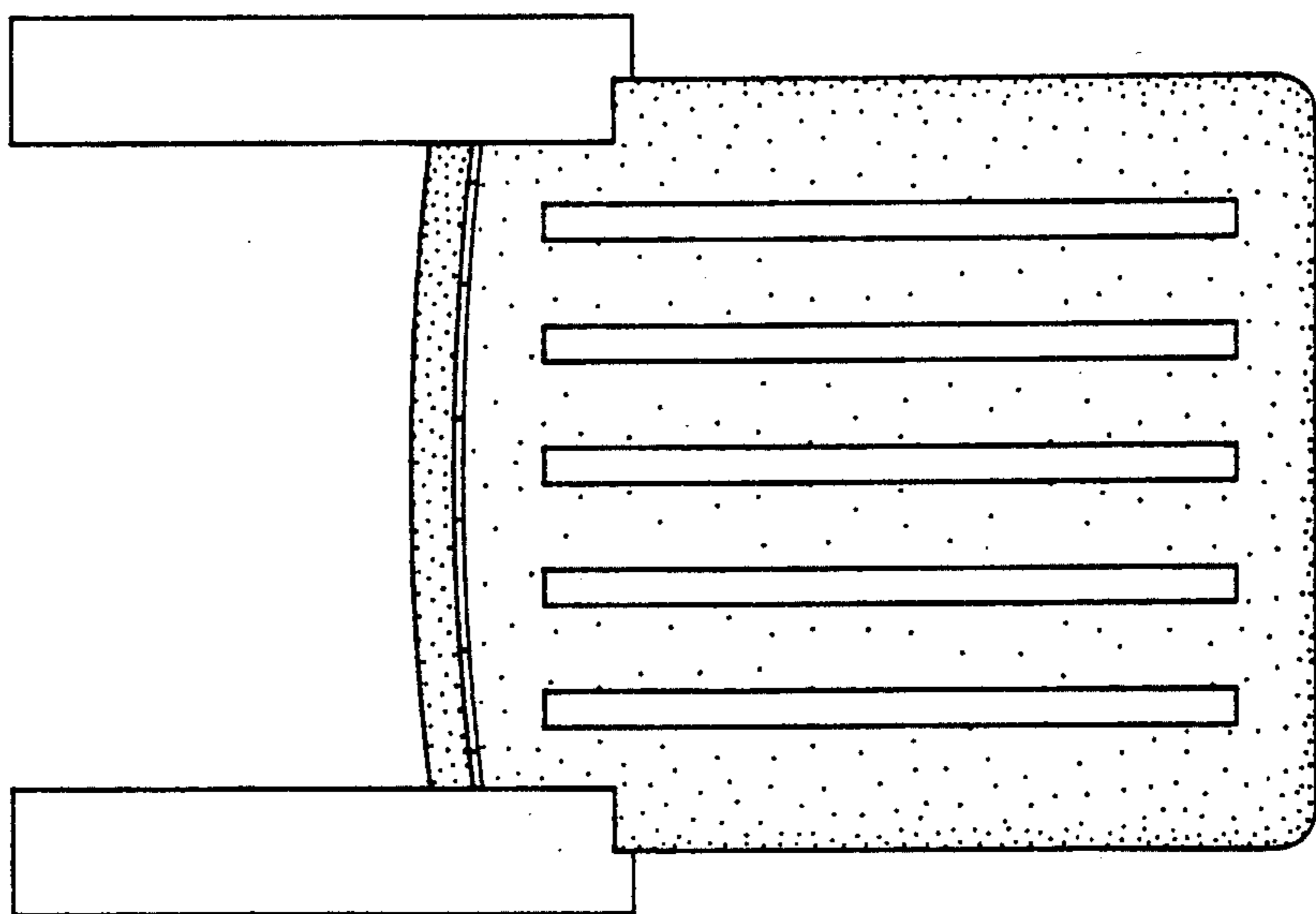


FIG. 17

FIG. 24

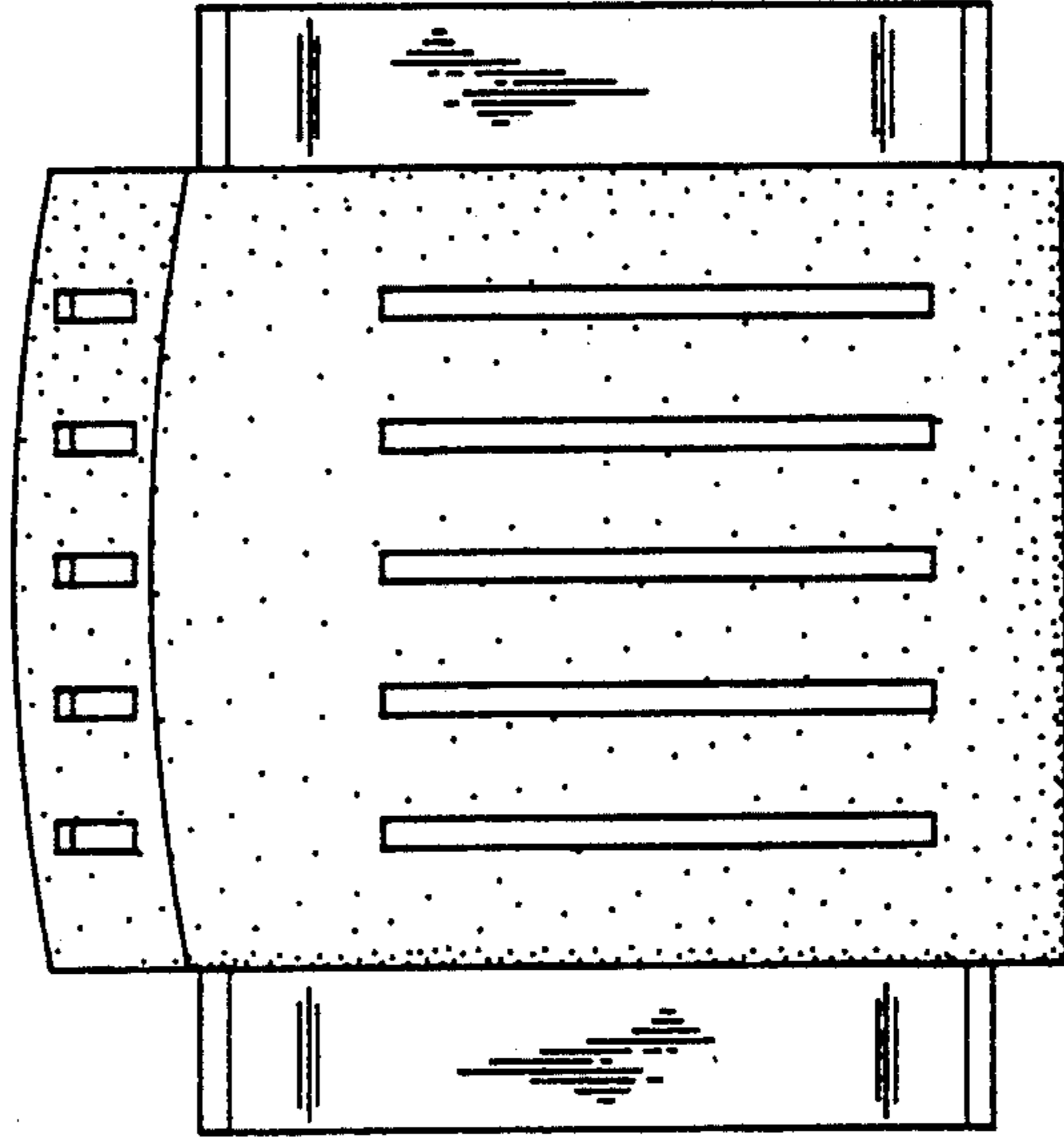
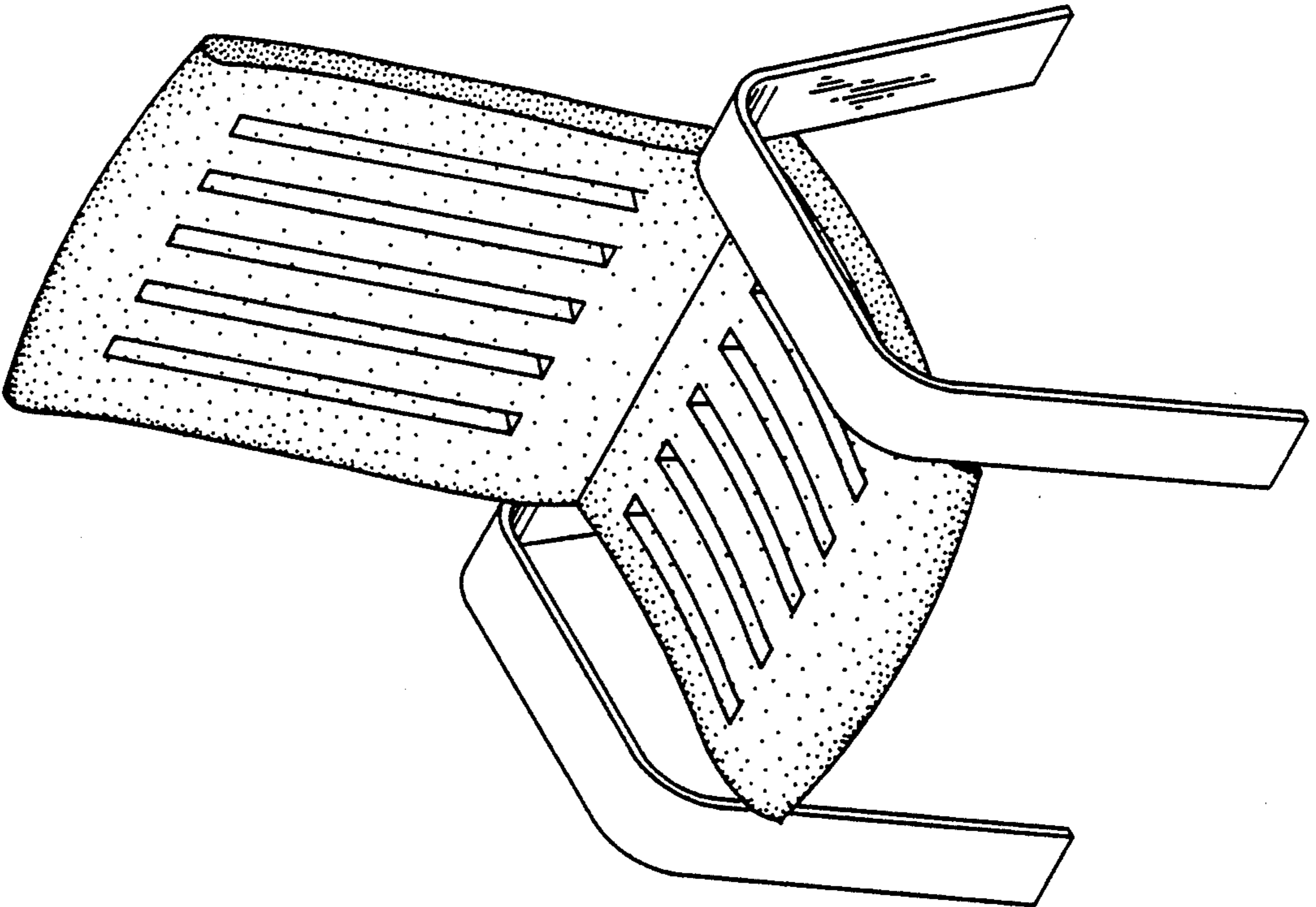


FIG. 19



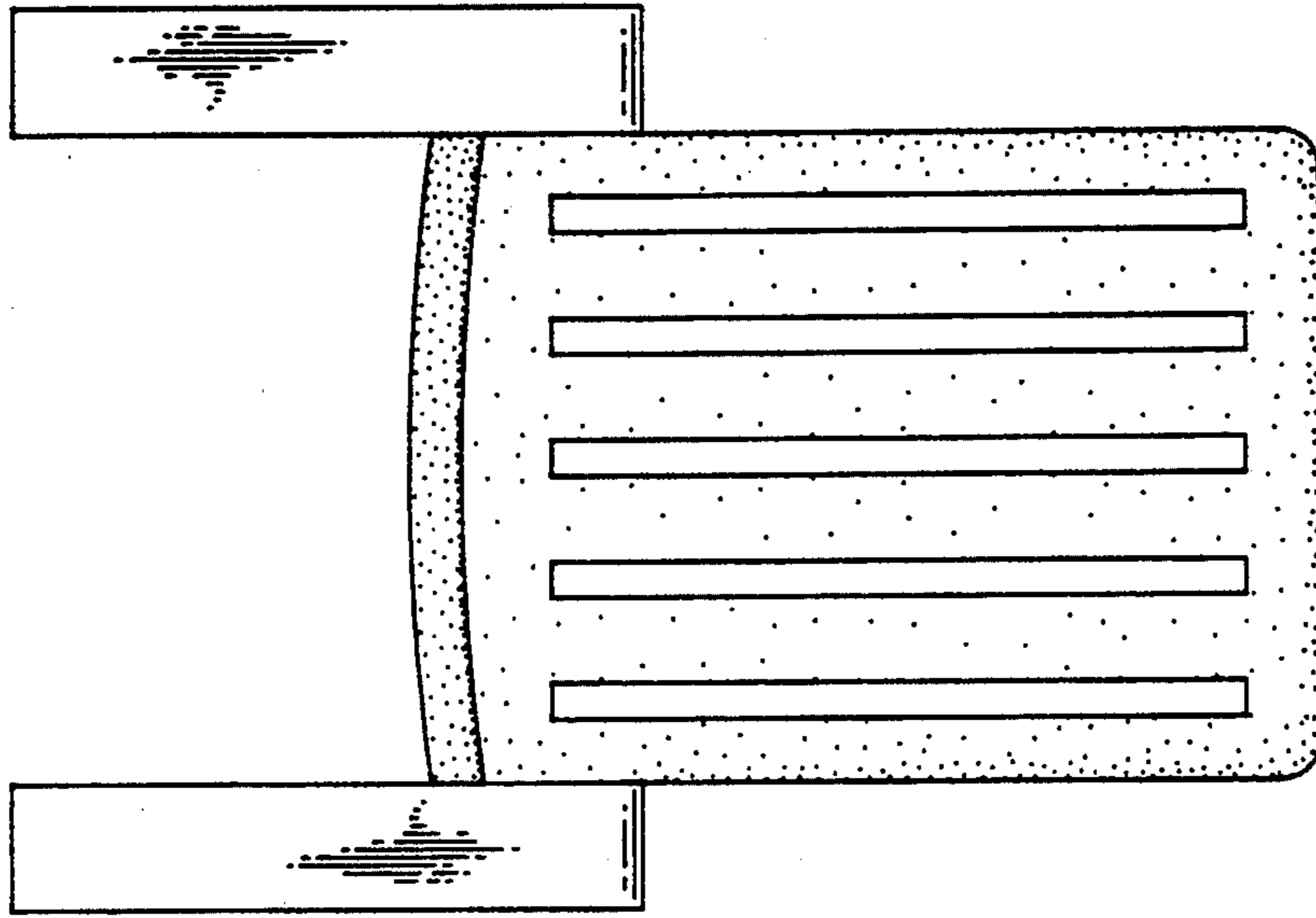


FIG. 20

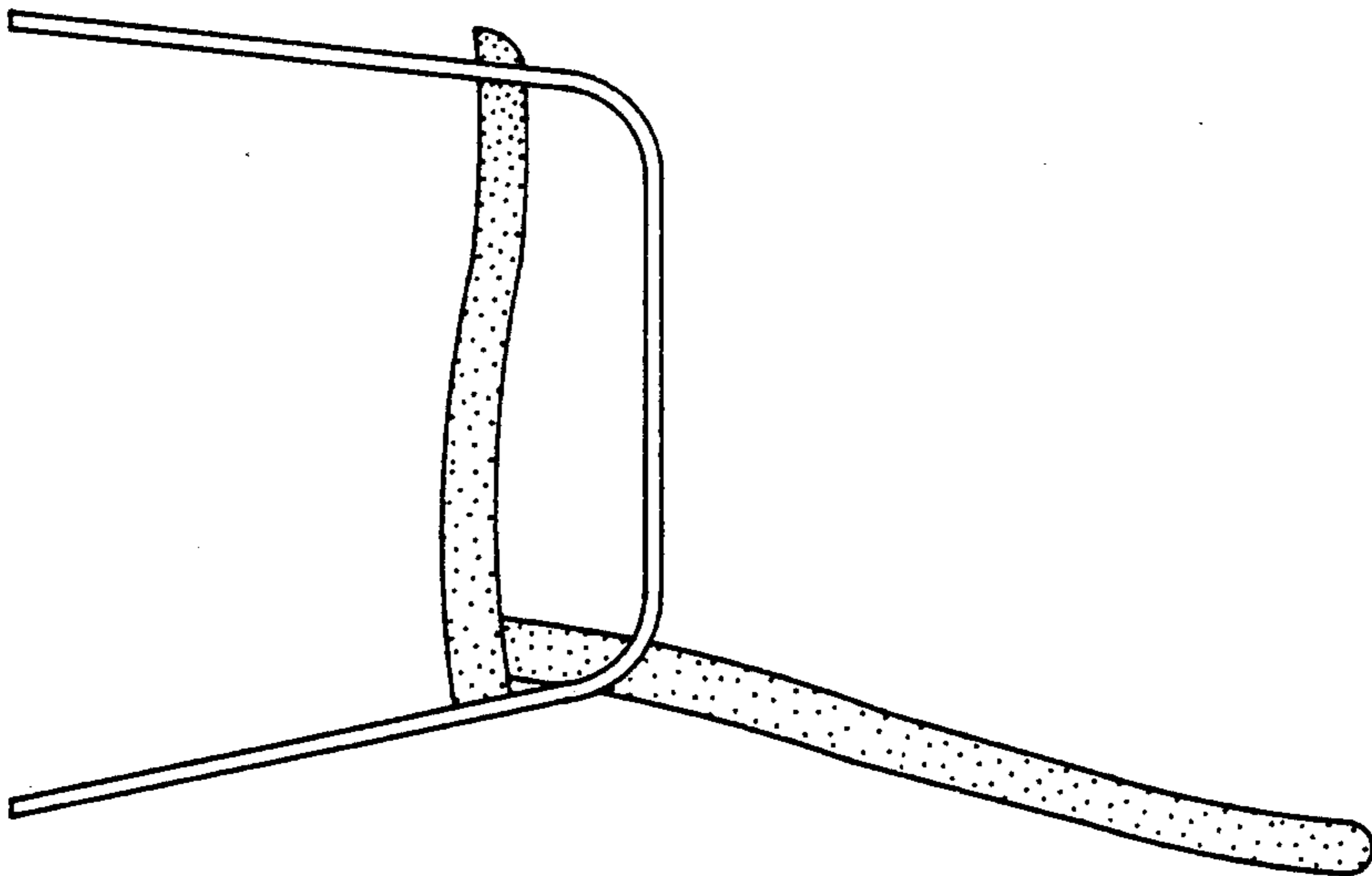


FIG. 21

FIG. 23

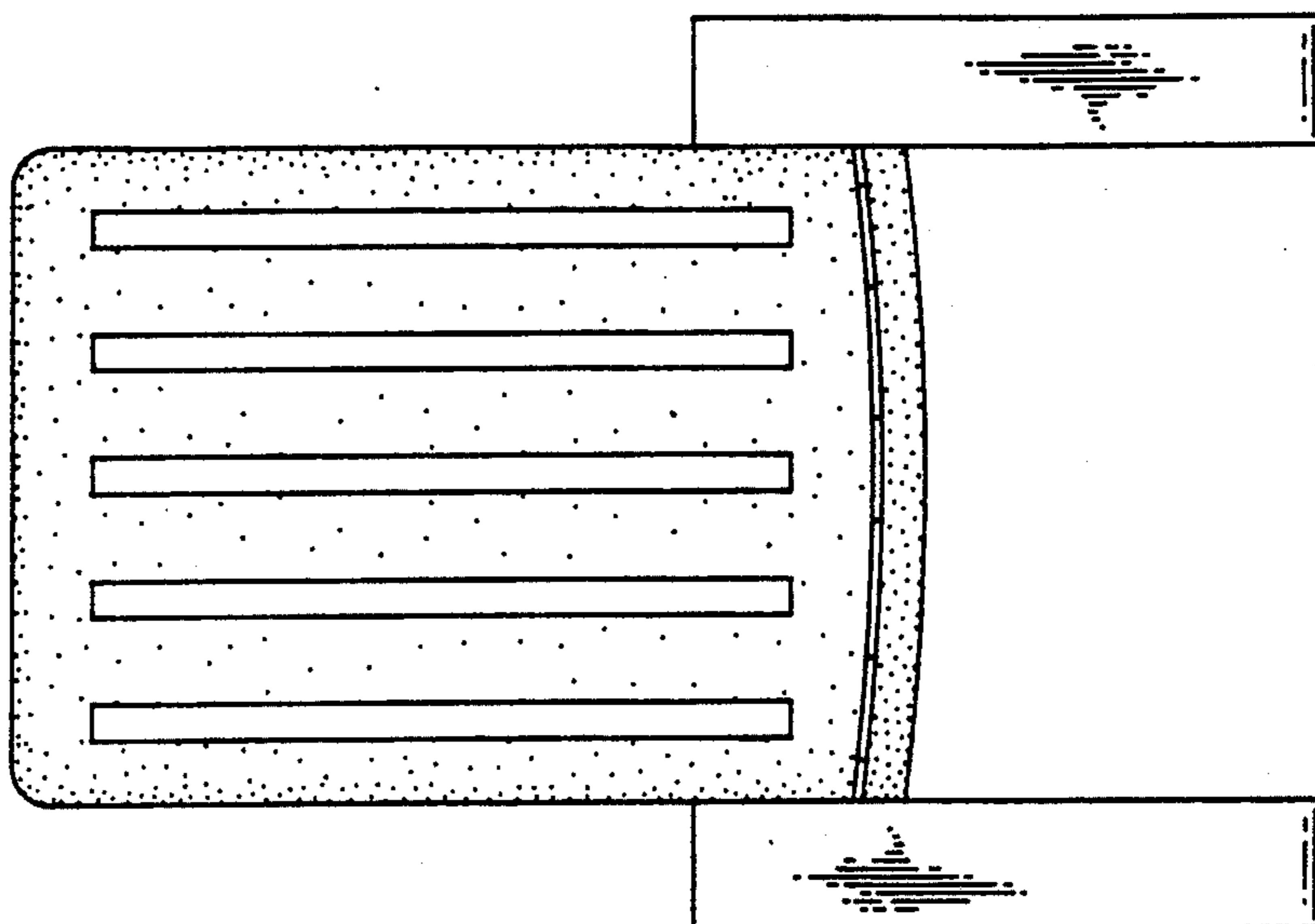


FIG. 22

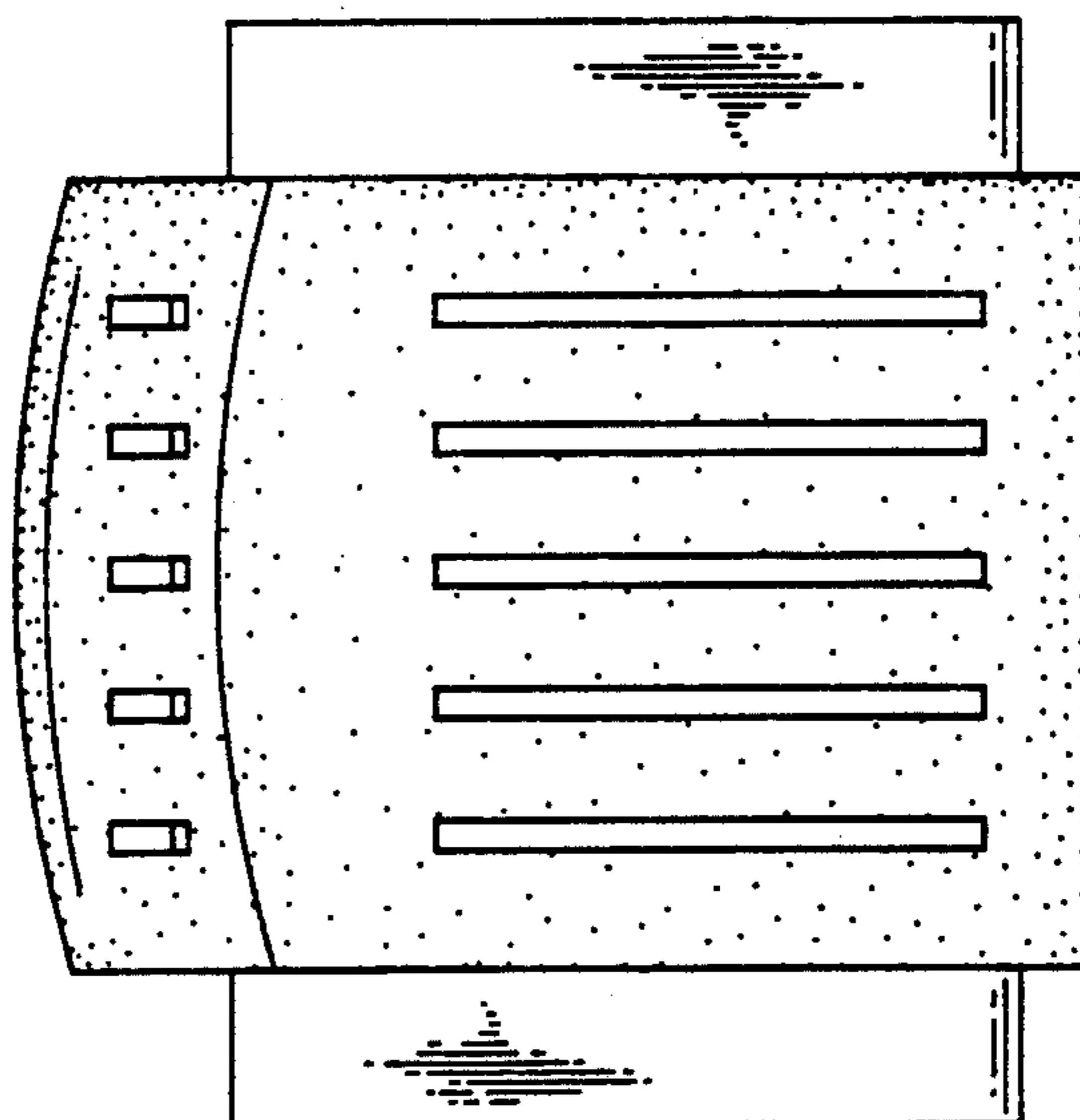


FIG. 30

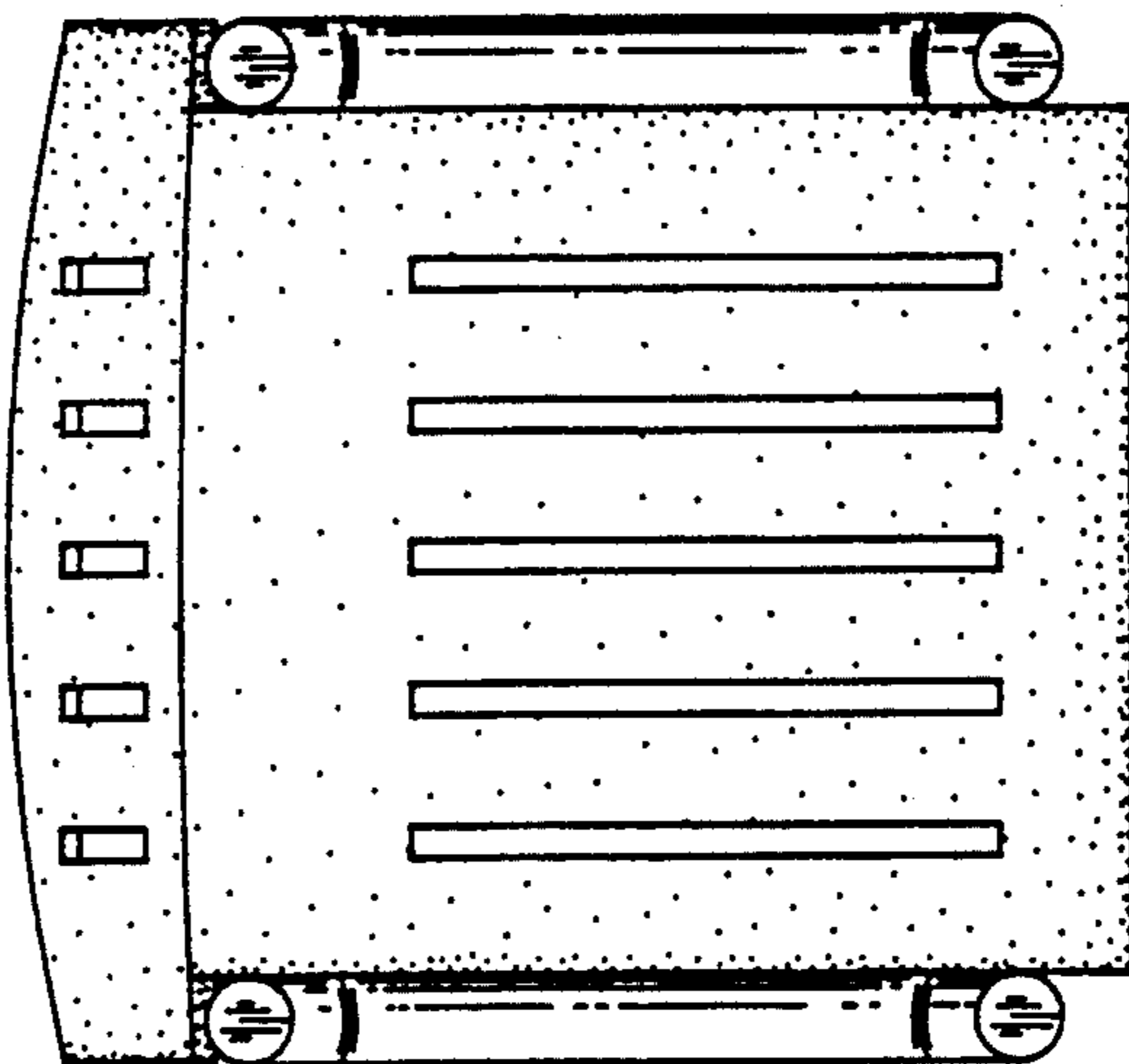
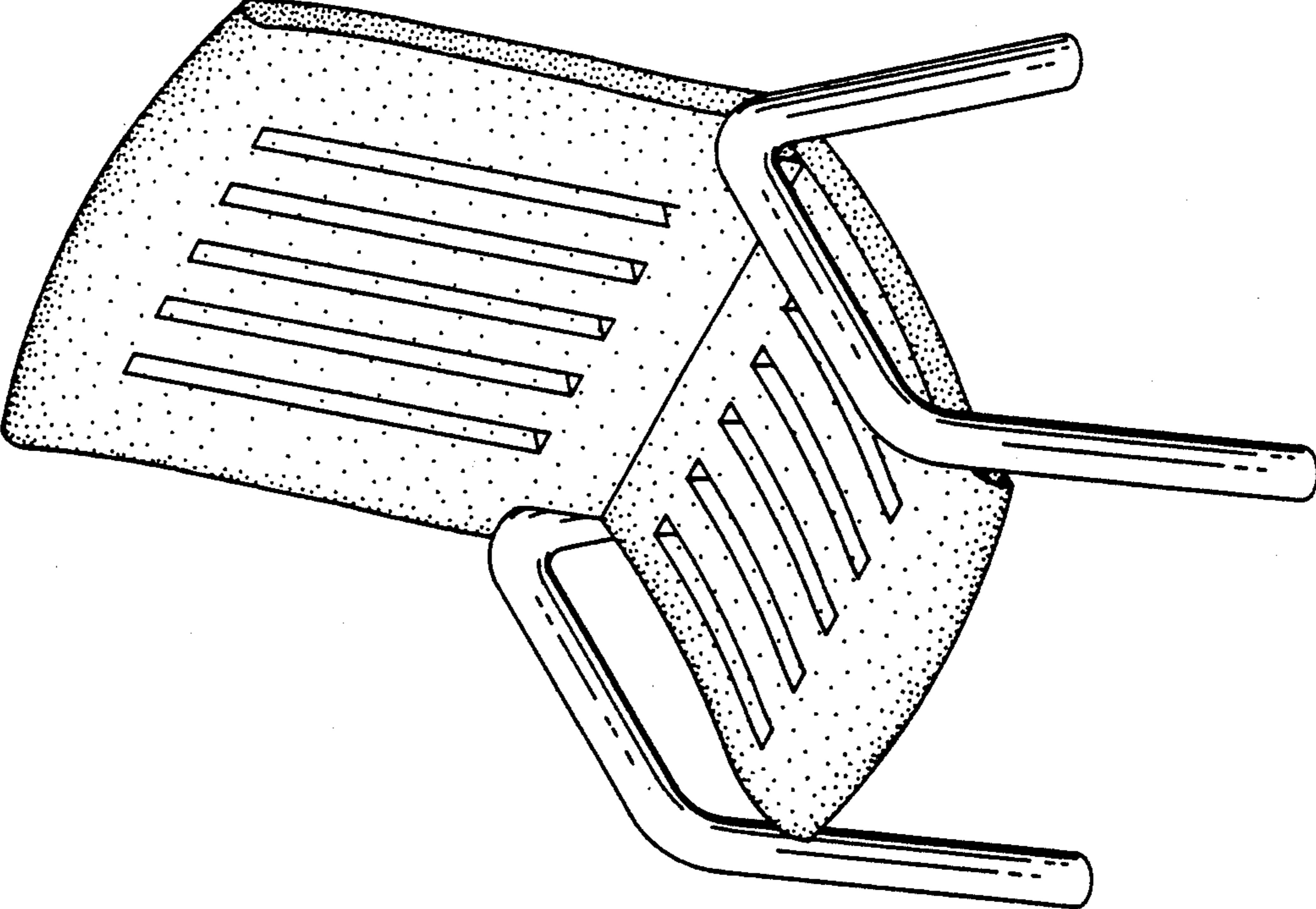


FIG. 25



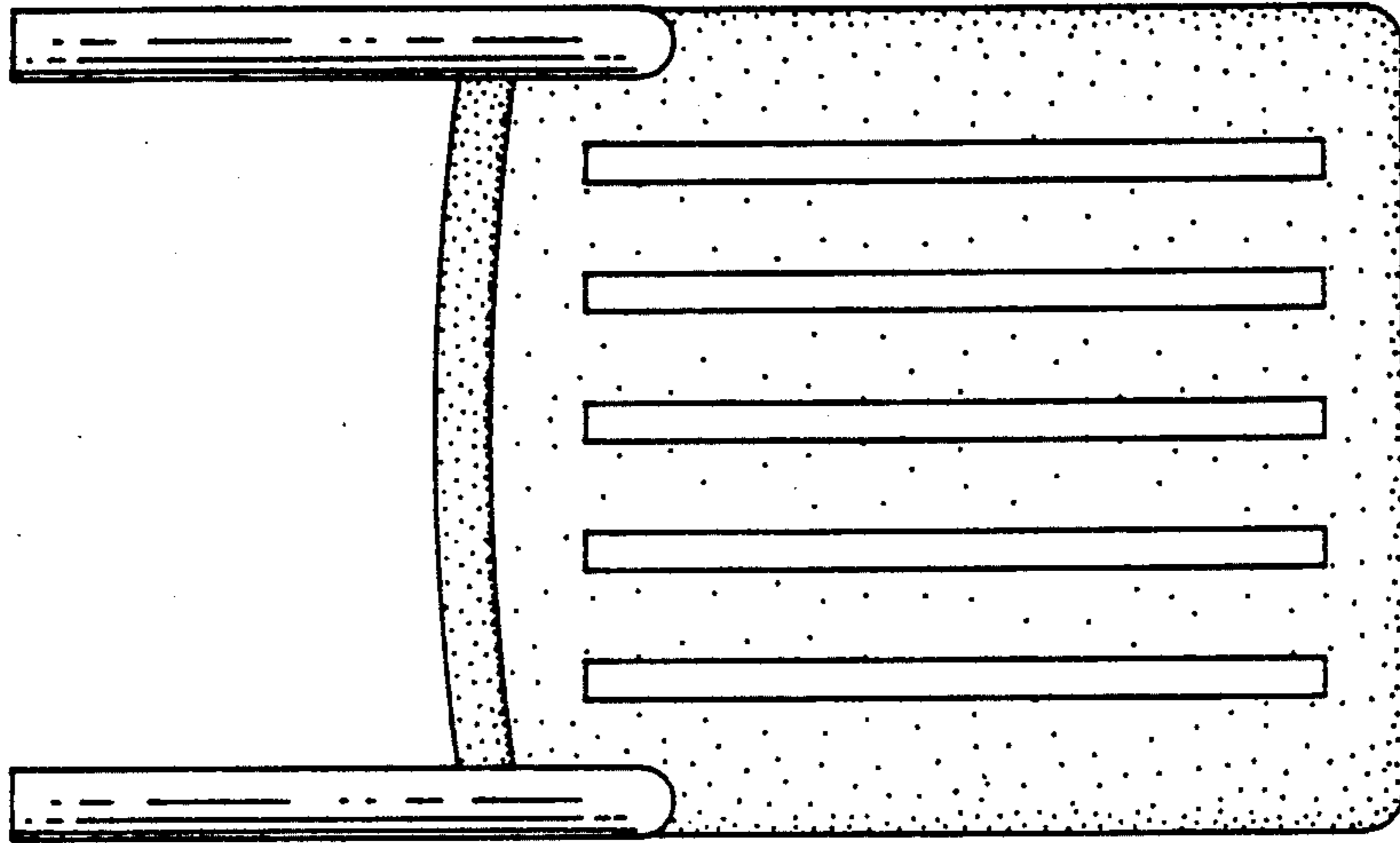


FIG. 26

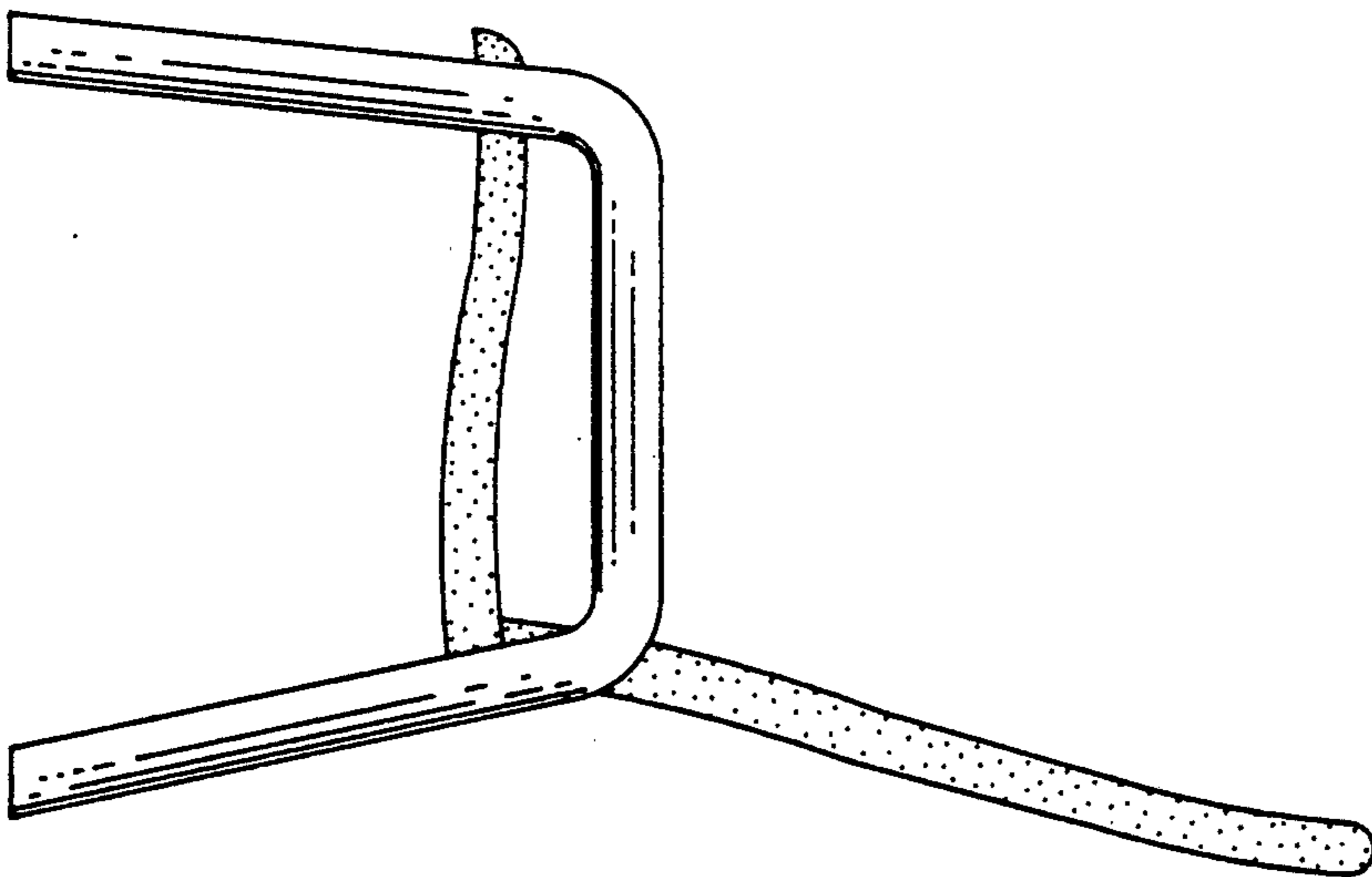


FIG. 27

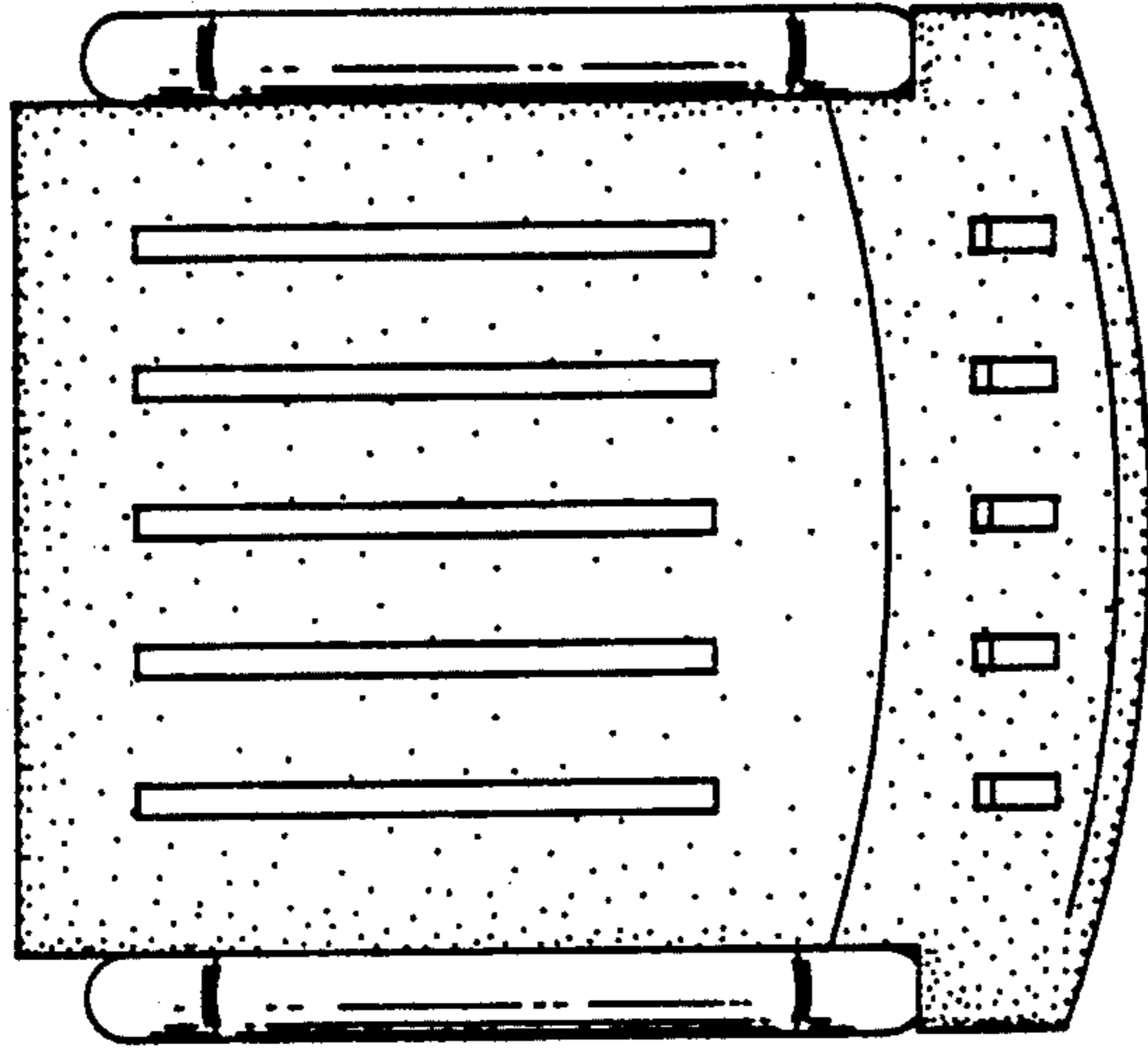


FIG. 28

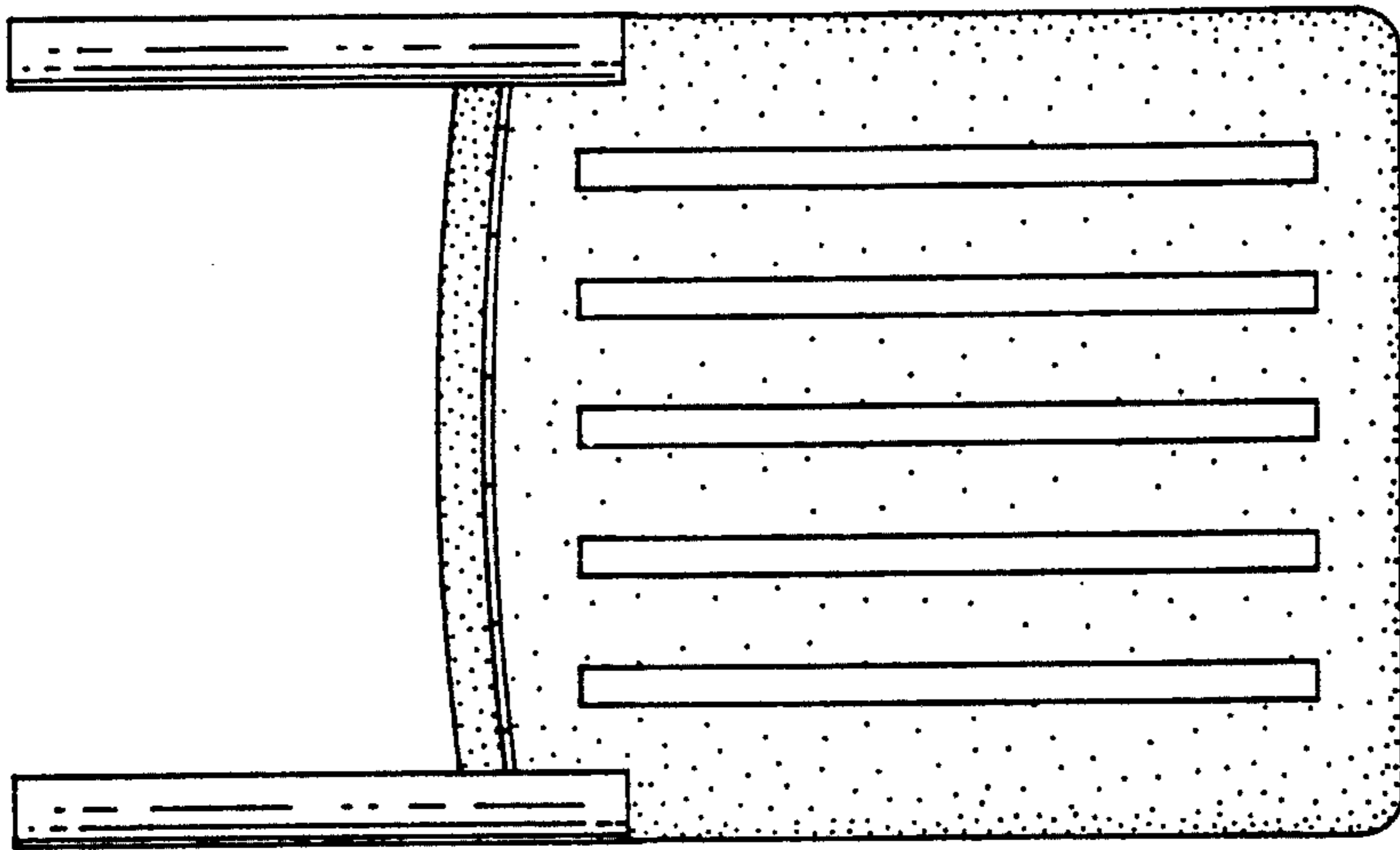


FIG. 29

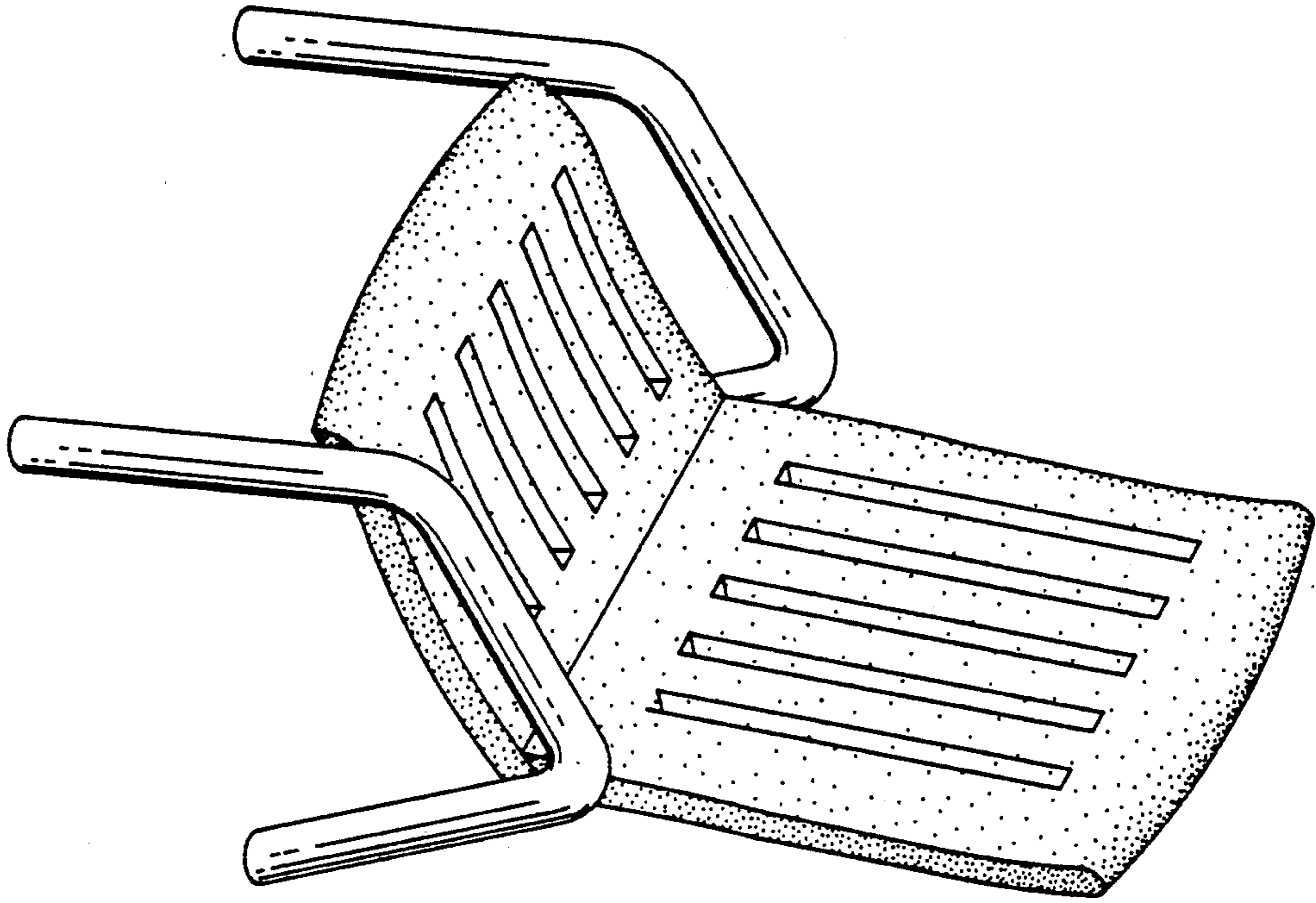


FIG. 31

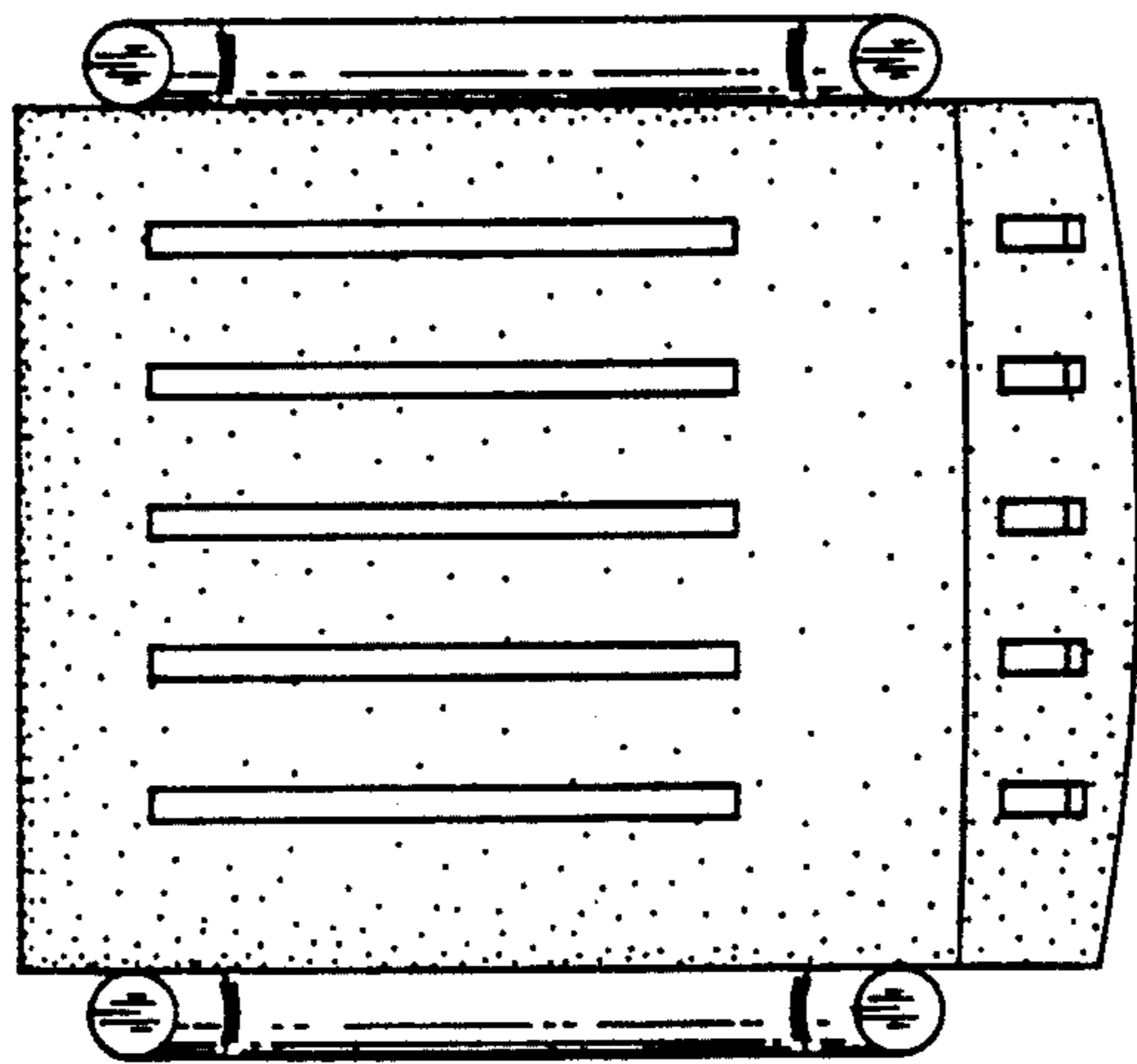


FIG. 36

FIG. 33

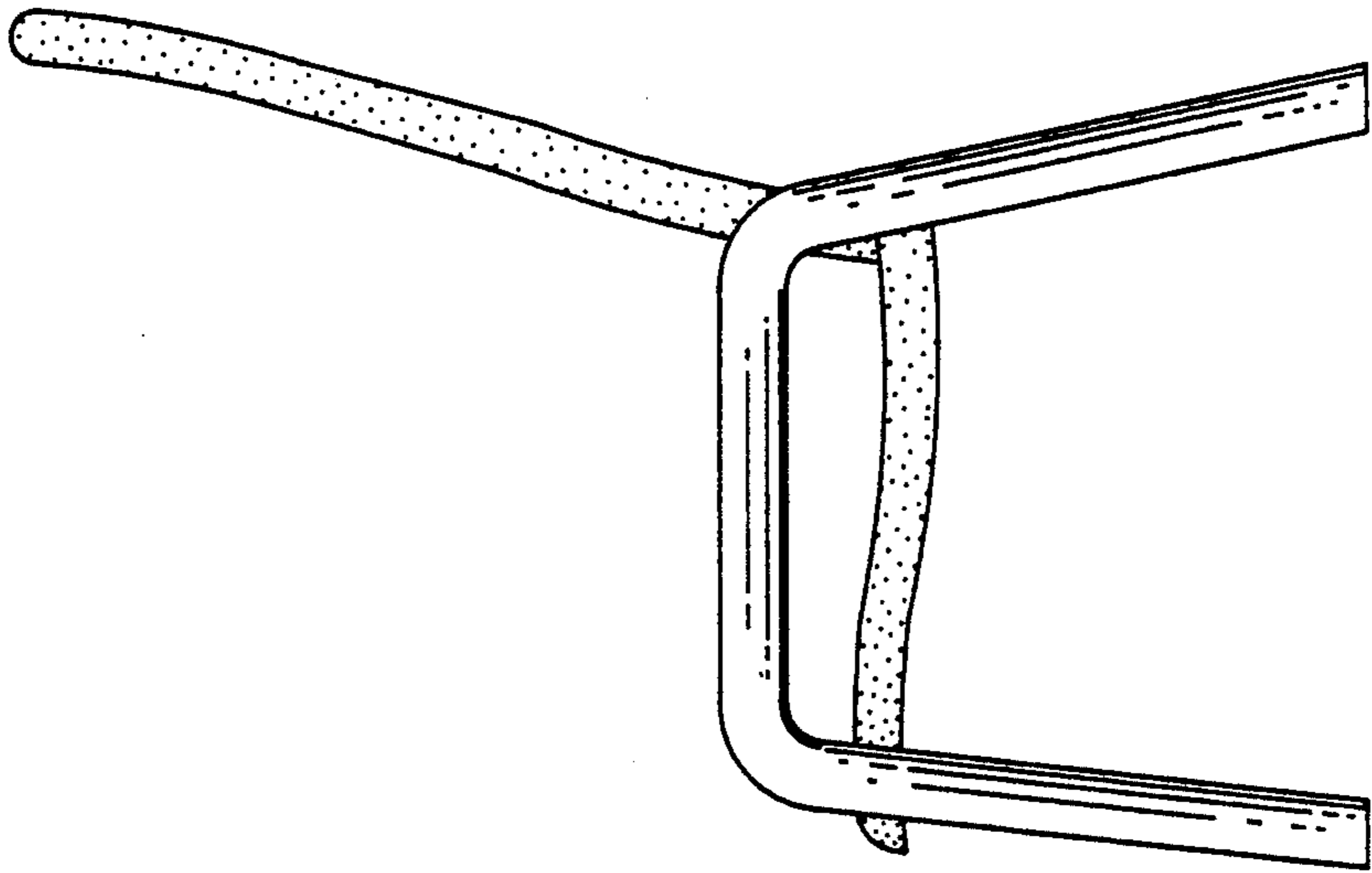
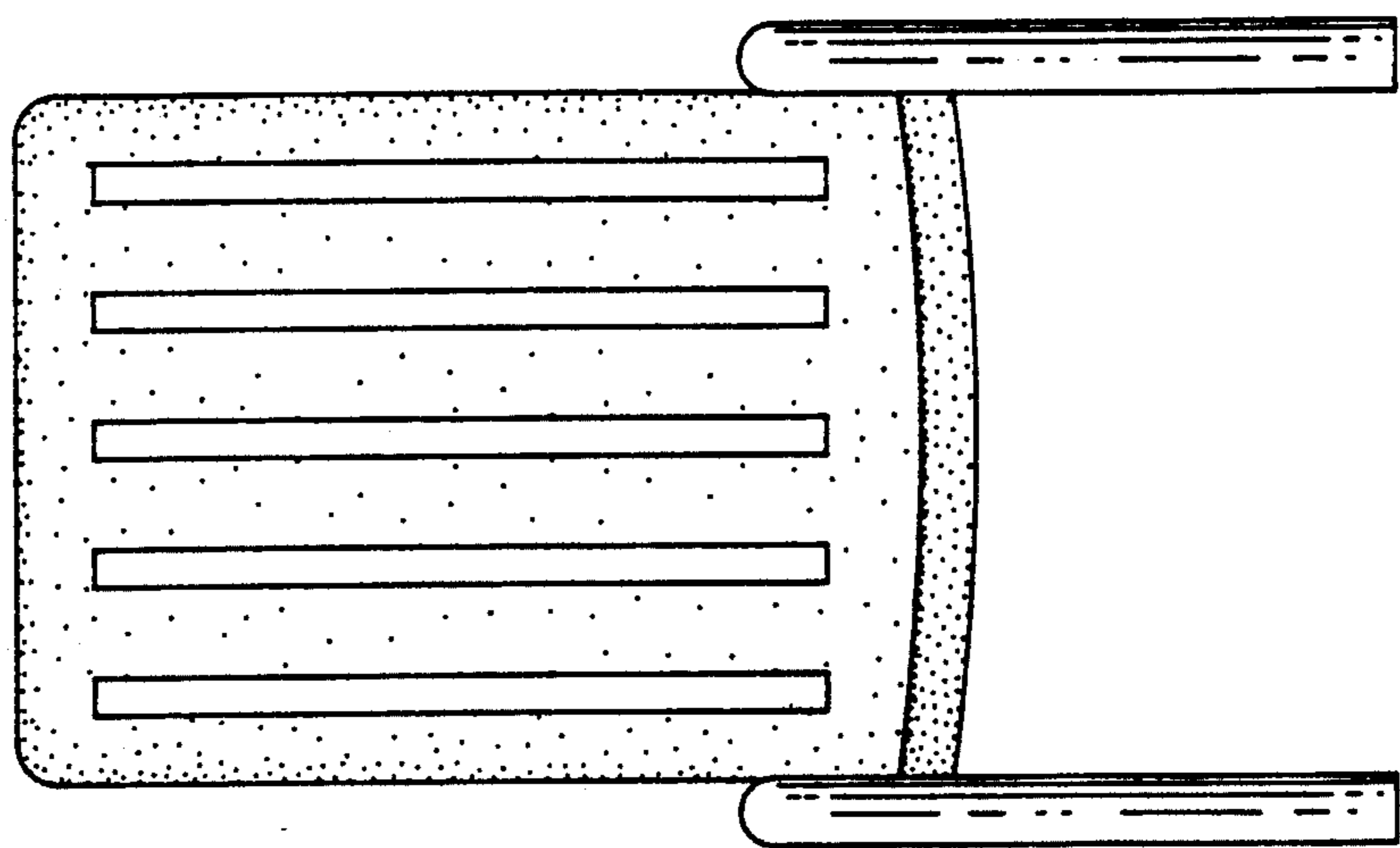


FIG. 32



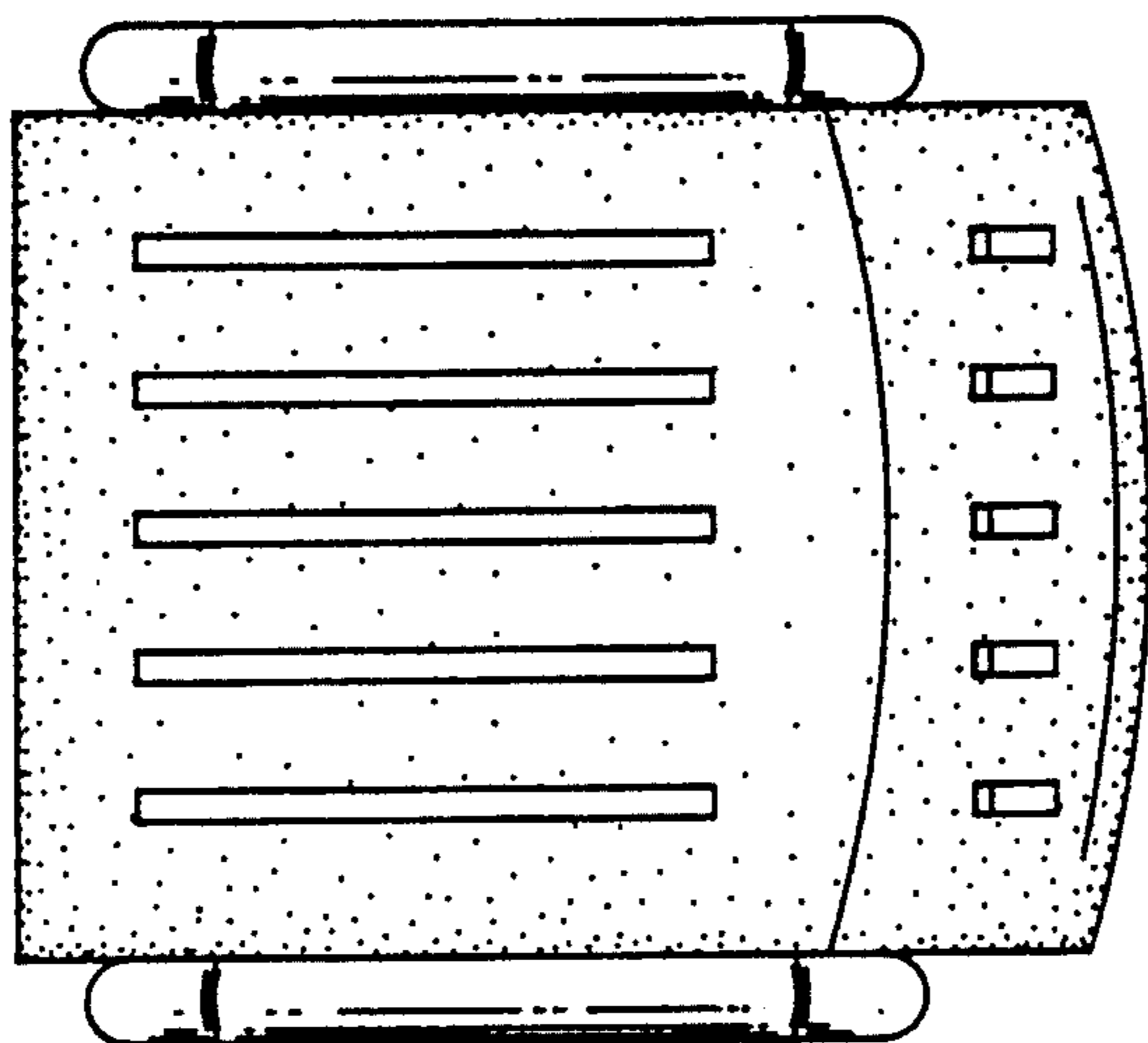


FIG. 34

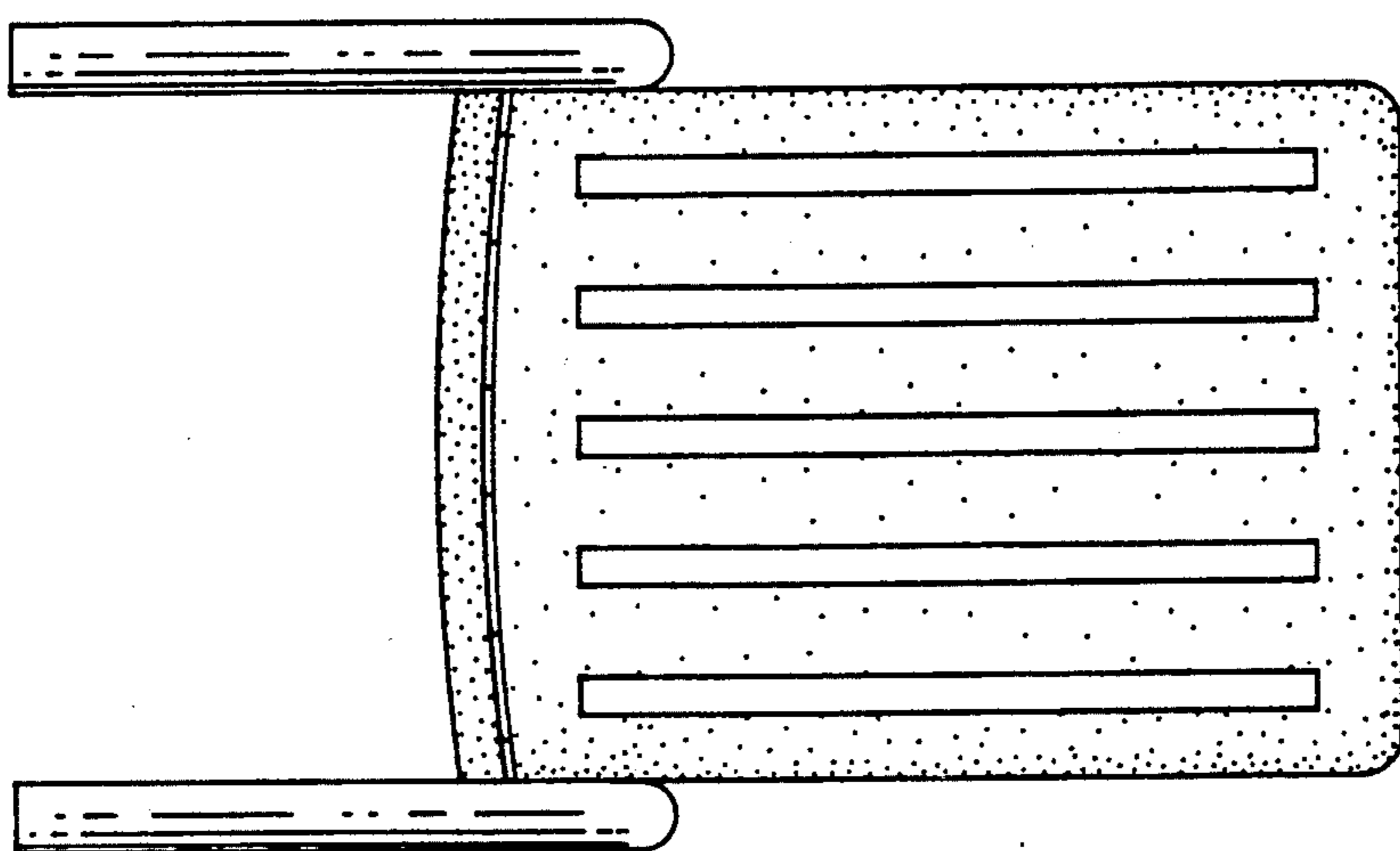


FIG. 35