



US00D323248S

United States Patent [19]

[11] Patent Number: **Des. 323,248**

Offutt et al.

[45] Date of Patent: **** Jan. 21, 1992**

[54] **STOOL**

[75] Inventors: **James C. Offutt; John Grissom**, both of Peoria, Ill.

[73] Assignee: **Rimball Marketing and Development, Inc.**, Peoria, Ill.

[**] Term: **14 Years**

[21] Appl. No.: **309,536**

[22] Filed: **Feb. 10, 1989**

[52] U.S. Cl. **D6/357; D6/349**

[58] Field of Search **D6/334, 336, 349, 357, D6/368, 380, 500, 480, 485**

207,846	9/1878	DeBretton .	
D. 215,839	11/1969	Wormser .	
D. 217,145	4/1970	Solie	D6/349
254,991	3/1882	Mason .	
D. 275,914	10/1984	Gersin	D6/357
1,326,415	12/1919	Negus et al. .	
1,952,949	3/1934	Spang .	
2,400,167	5/1946	Resnick .	
2,612,935	10/1952	Bielby .	
3,630,566	12/1971	Barecki .	

Primary Examiner—Bruce W. Dunkins
Assistant Examiner—Gary D. Watson
Attorney, Agent, or Firm—McAndrews, Held & Malloy, Ltd.

[57] CLAIM

The ornamental design for a stool, as shown and described.

[56] References Cited

U.S. PATENT DOCUMENTS

D. 54,117	11/1919	Palmquist	D6/349
D. 57,644	4/1921	Haase .	
D. 106,242	9/1937	Salomon .	
D. 127,925	6/1941	Scott	D6/357
D. 134,359	11/1942	Warth, Sr.	D6/336
D. 139,325	10/1944	Gass	D6/349
D. 146,684	4/1947	Ross	D6/380
D. 197,558	2/1964	Sokolis	D6/368 X
D. 201,796	8/1965	Rolley	D6/349 X

DESCRIPTION

FIG. 1 is a perspective view of a stool showing our new design;
FIG. 2 is a rear elevational view;
FIG. 3 is a top plan view;
FIG. 4 is a bottom plan view; and
FIG. 5 is an elevational view showing one of the two identical ends thereof.

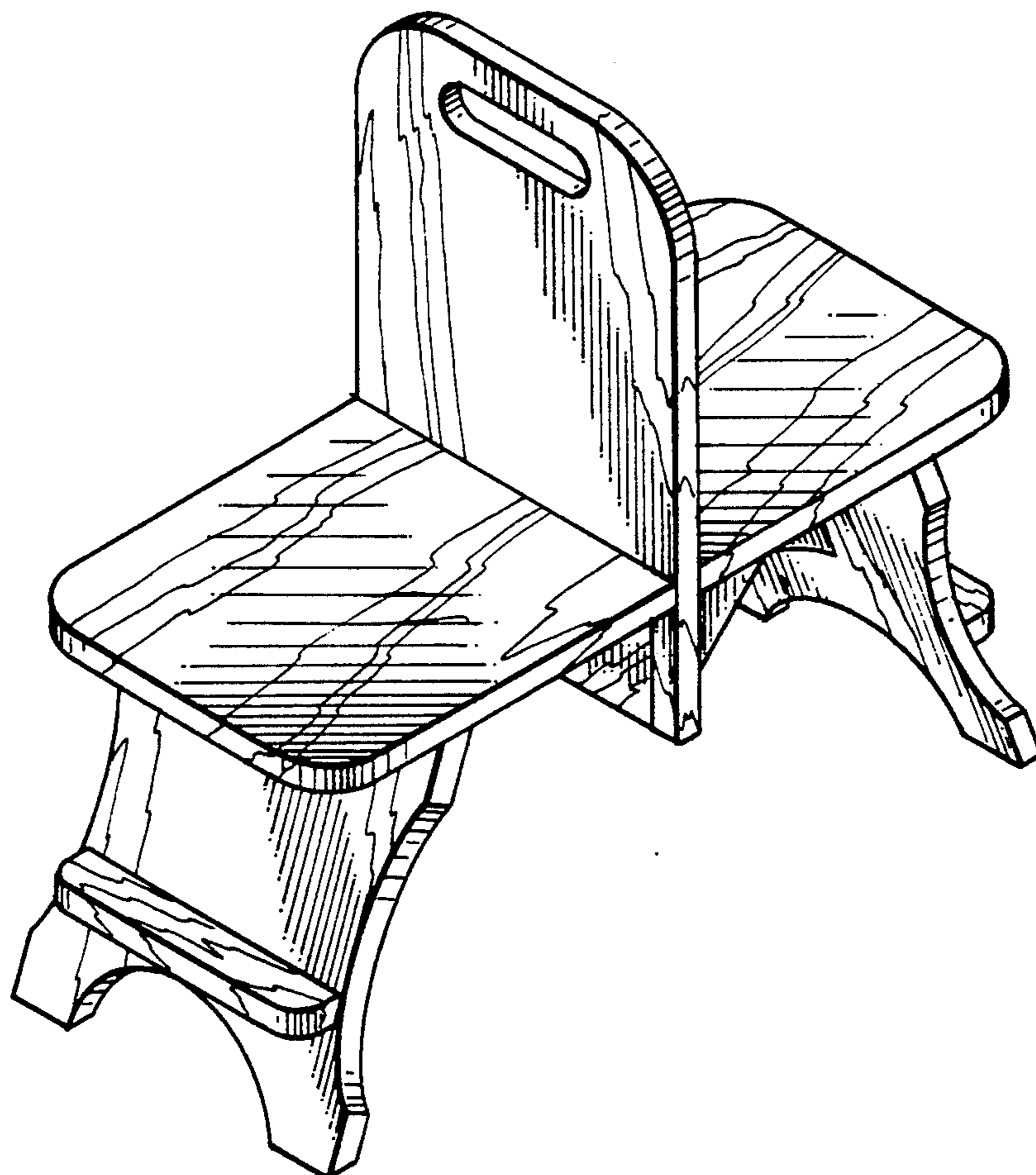


Fig. 1

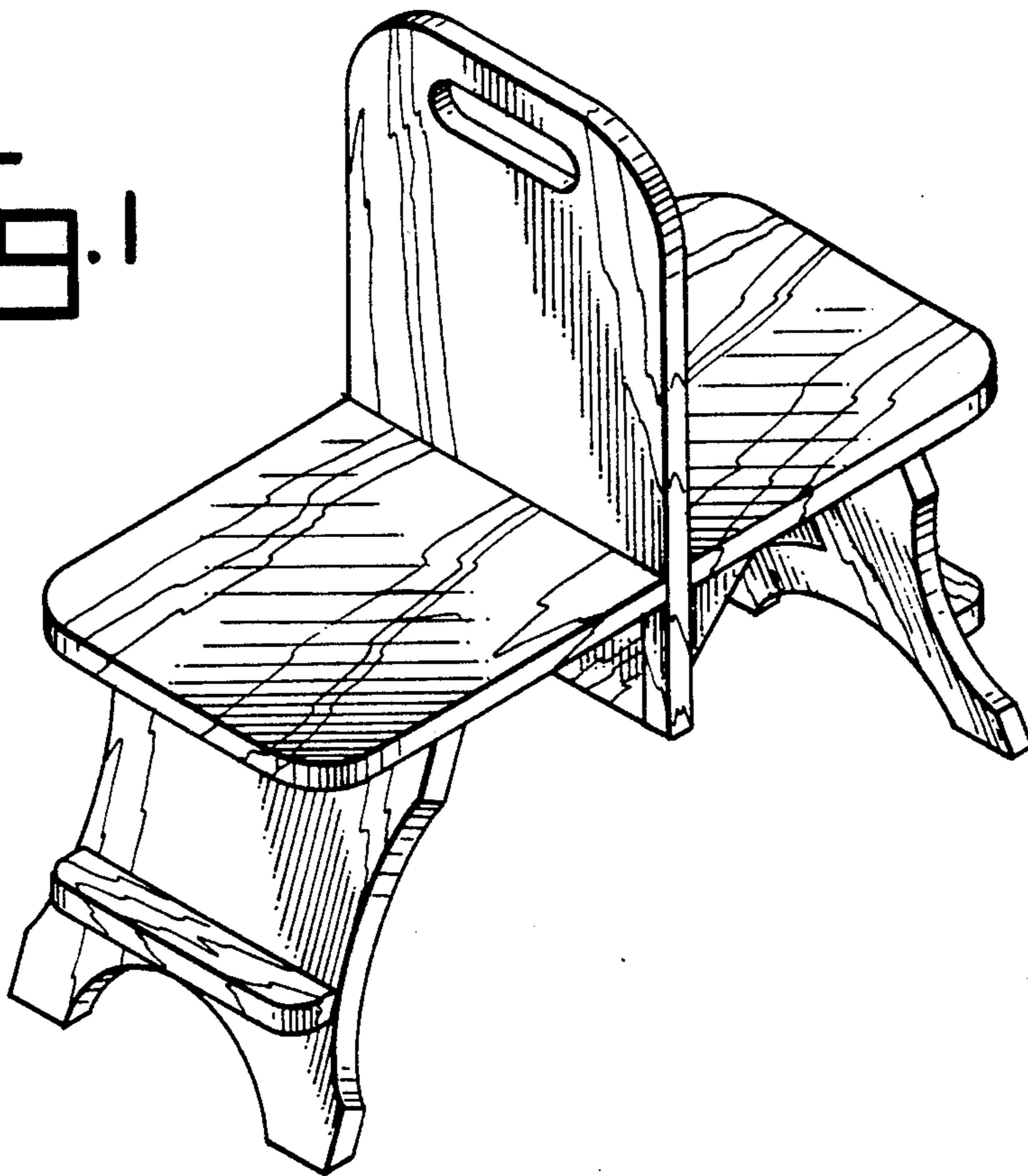


Fig. 2

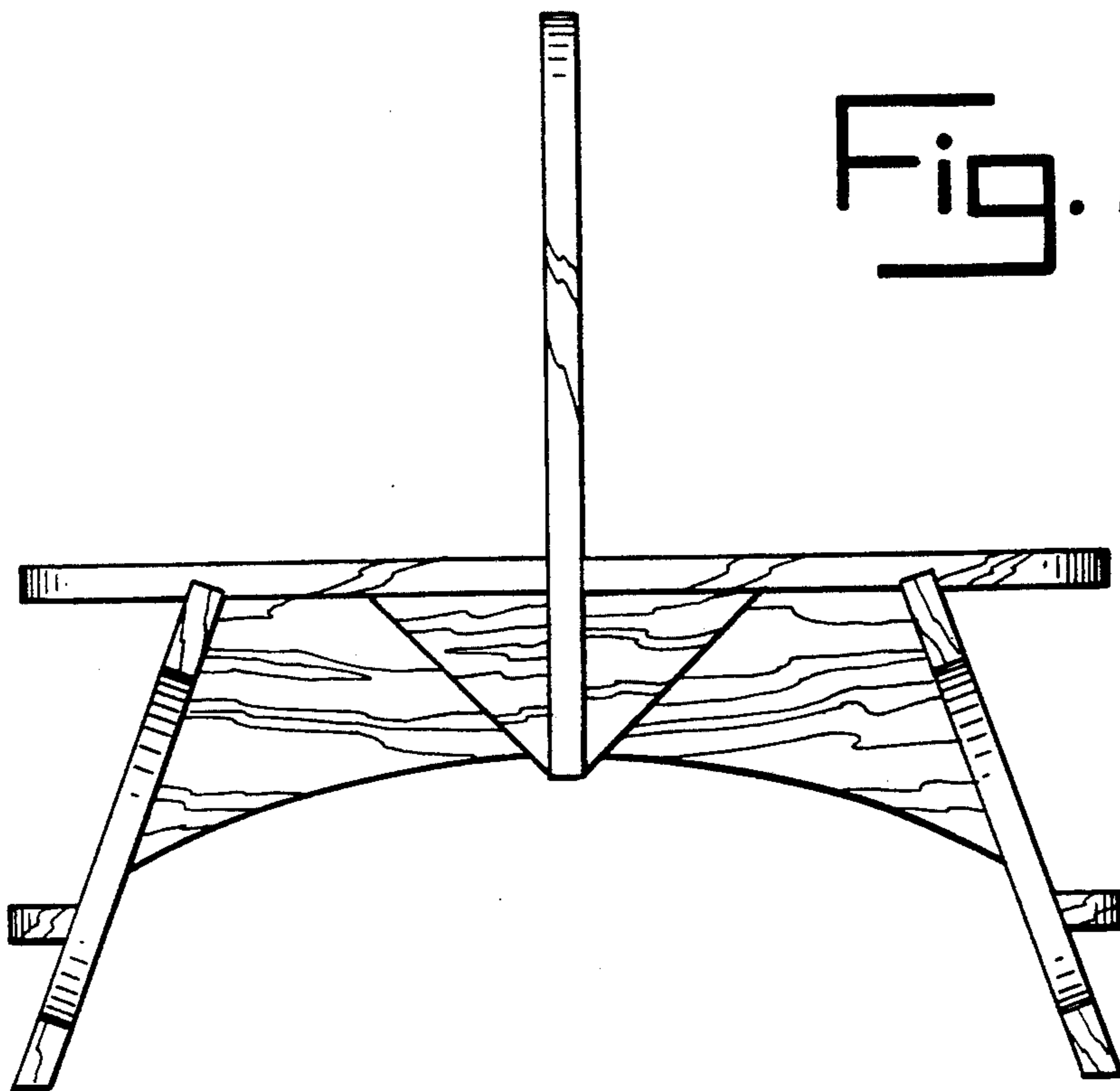


Fig. 3

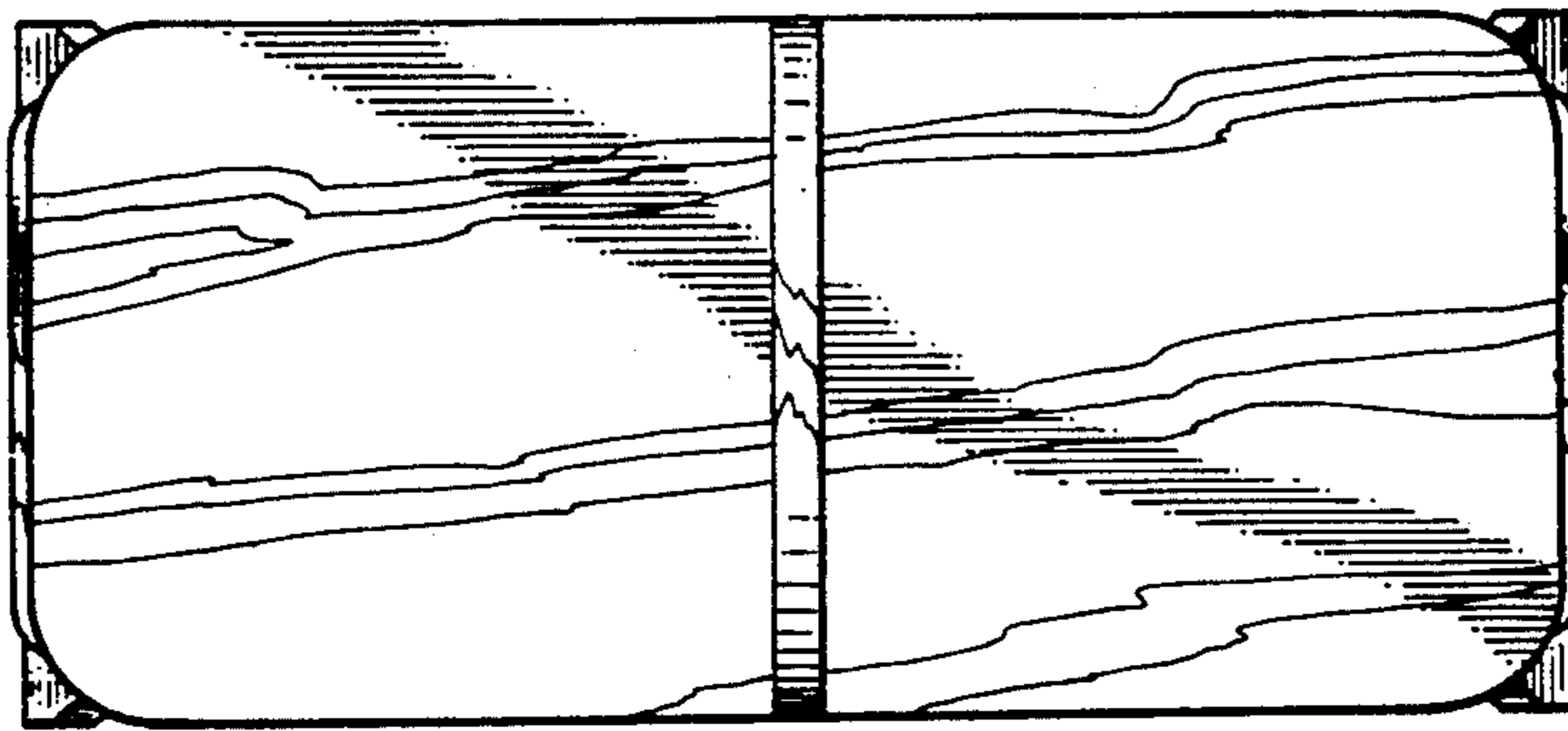


Fig. 4

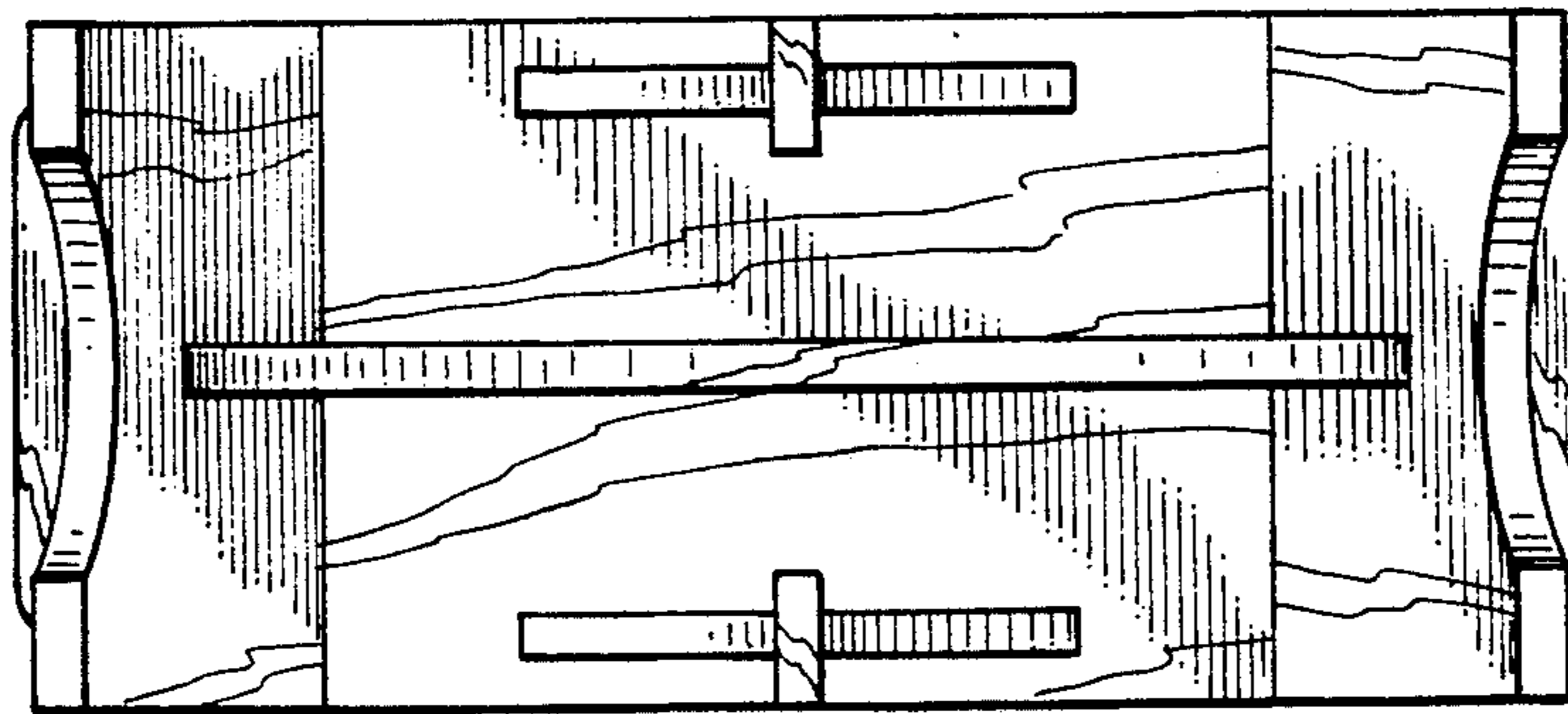


Fig. 5

