



US00D323237S

# United States Patent [19]

[11] Patent Number: **Des. 323,237**

Zoltie

[45] Date of Patent: **\*\* Jan. 21, 1992**

[54] **COMBINED BACKPACK AND CONVERTIBLE PARKA**

[75] Inventor: Alan Zoltie, Chram, England

[73] Assignee: Alan George (U.K.) Limited, England

[\*\*] Term: 14 Years

[21] Appl. No.: 449,253

[22] Filed: Dec. 8, 1989

[52] U.S. Cl. .... D2/185; D2/183; D2/184; D2/187; D3/32

[58] Field of Search ..... D2/30, 183, 184, 185, D2/187; D3/32; 2/94, 108, 115; 224/151, 153

[56] **References Cited**

**U.S. PATENT DOCUMENTS**

D. 251,936	5/1979	Shaw	.....	D2/184
D. 301,797	6/1989	Lariviere	.....	D2/185
D. 316,172	4/1991	Hanson	.....	D2/187
2,165,348	6/1939	Daiber	.....	2/94
2,248,455	6/1941	Freund	.....	2/94
4,476,587	10/1984	Itoi	.....	2/94
4,563,777	1/1986	Park	.....	2/94

*Primary Examiner*—A. Hugo Word  
*Assistant Examiner*—Celia Murphy  
*Attorney, Agent, or Firm*—Armstrong, Nikaido, Marmelstein, Kubovcik & Murray

[57] **CLAIM**

The ornamental design for a combined backpack and convertible parka, as shown and described.

**DESCRIPTION**

FIG. 1 is a perspective view of a combined backpack and convertible parka showing my new design in a backpack configuration;  
FIG. 2 is a right side elevational view thereof;  
FIG. 3 is a reduced front perspective view thereof, the flap shown lowered;  
FIG. 4 is a front elevational view of the design converted to a parka;  
FIG. 5 is a rear elevational view of FIG. 4;  
FIG. 6 is a rear elevational view of FIG. 1;  
FIG. 7 is a bottom plan view of FIG. 1;  
FIG. 8 is a left side elevational view of FIG. 5; and  
FIG. 9 is a perspective view of FIG. 5.

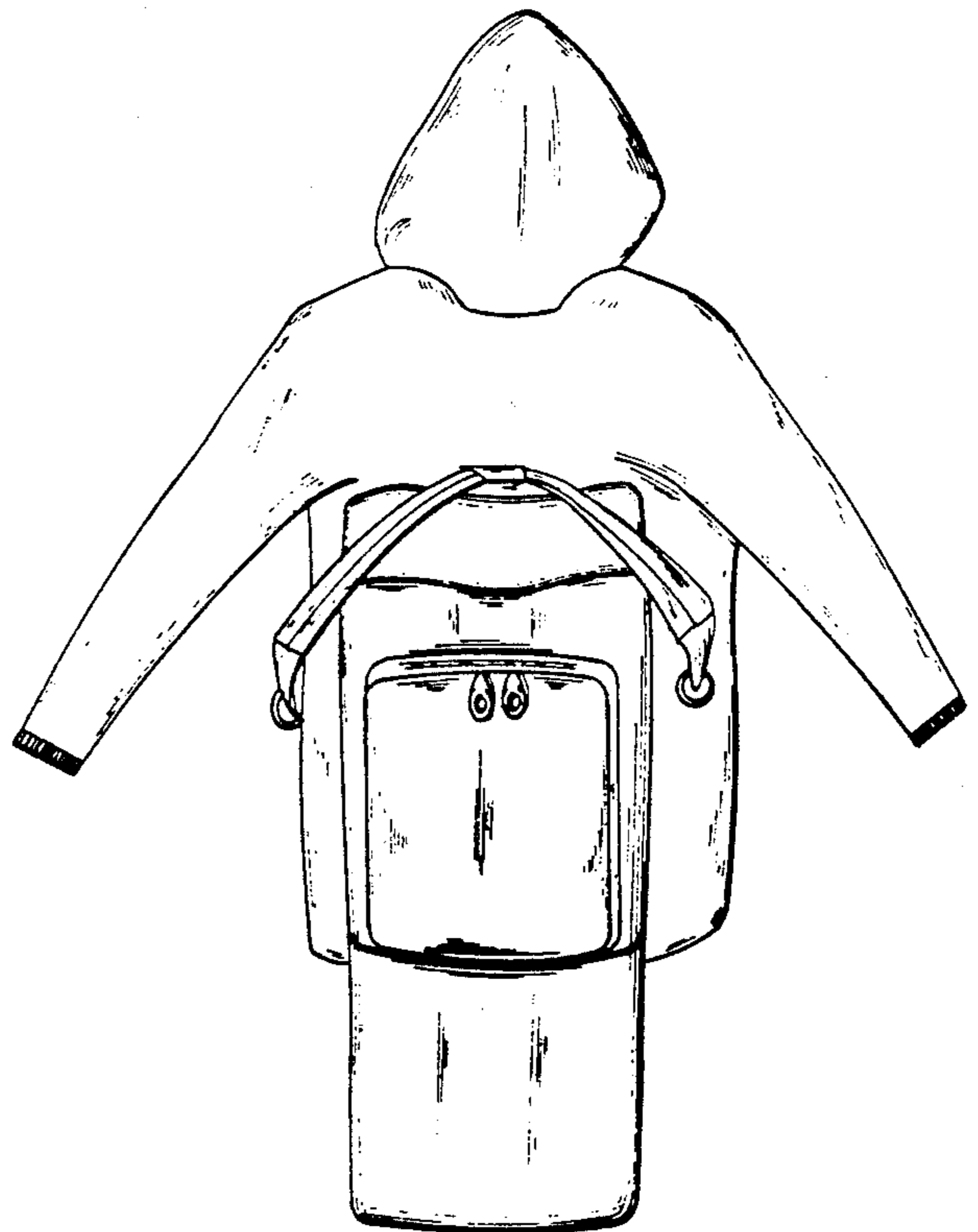


FIG. 2.

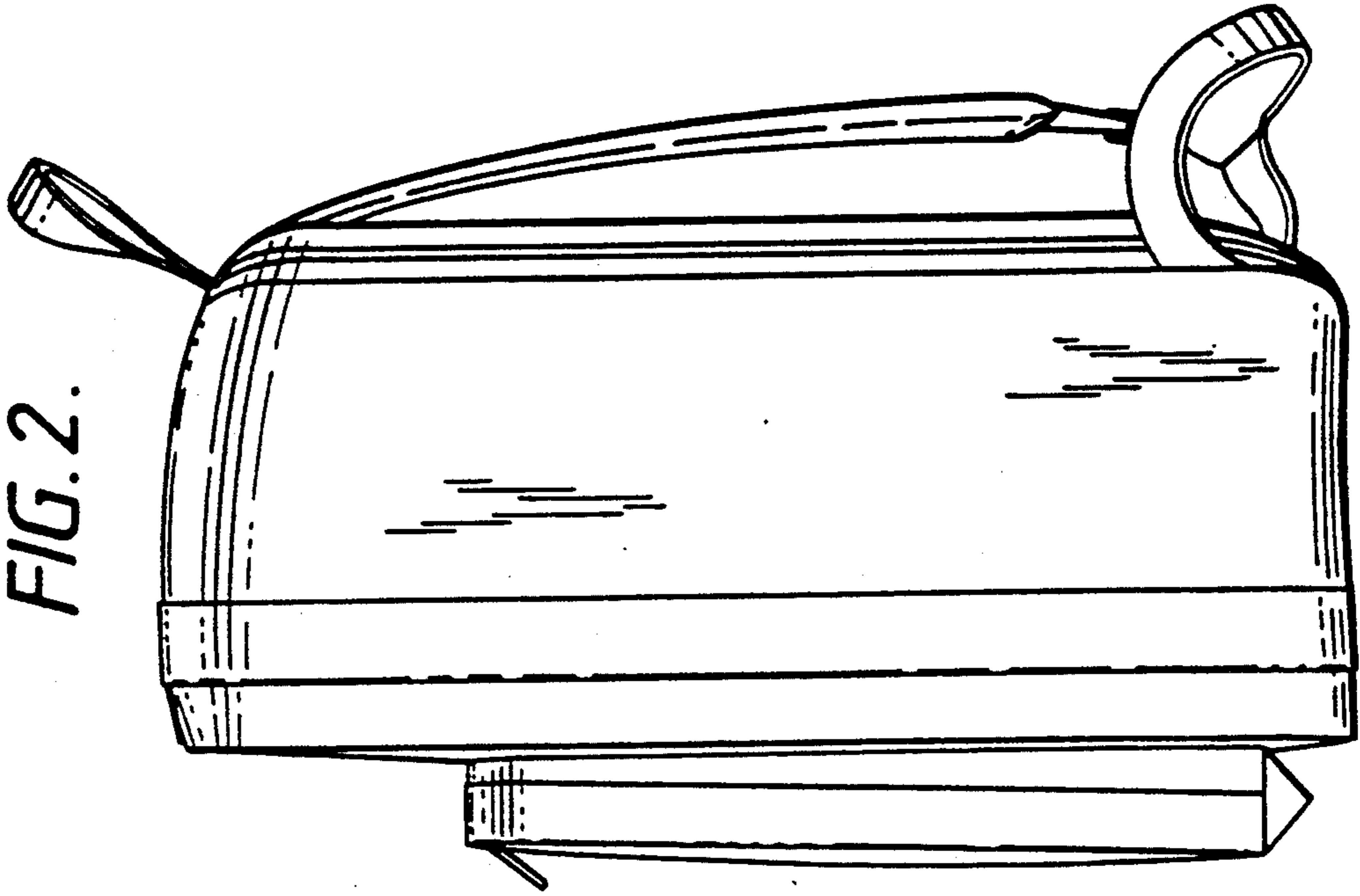
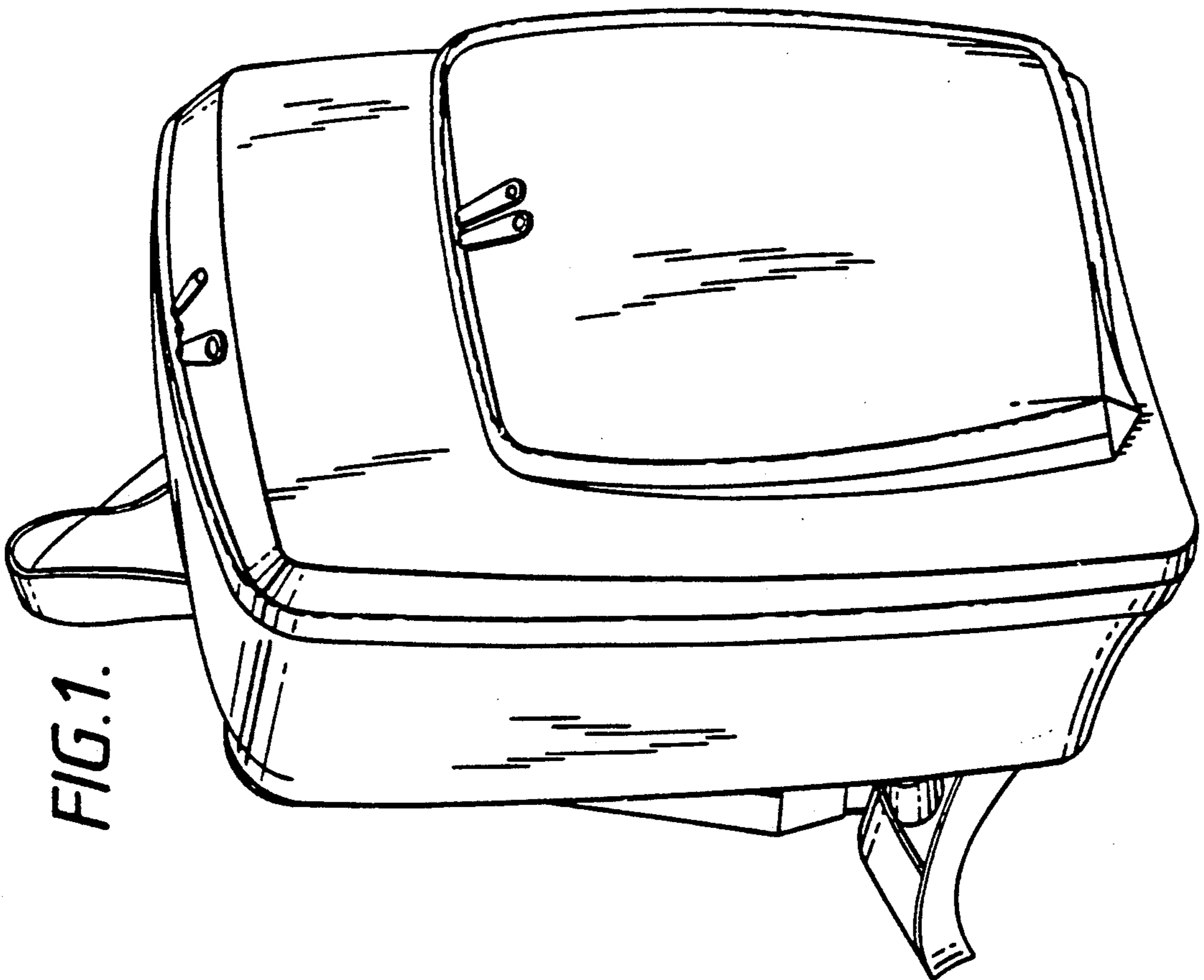


FIG. 1.



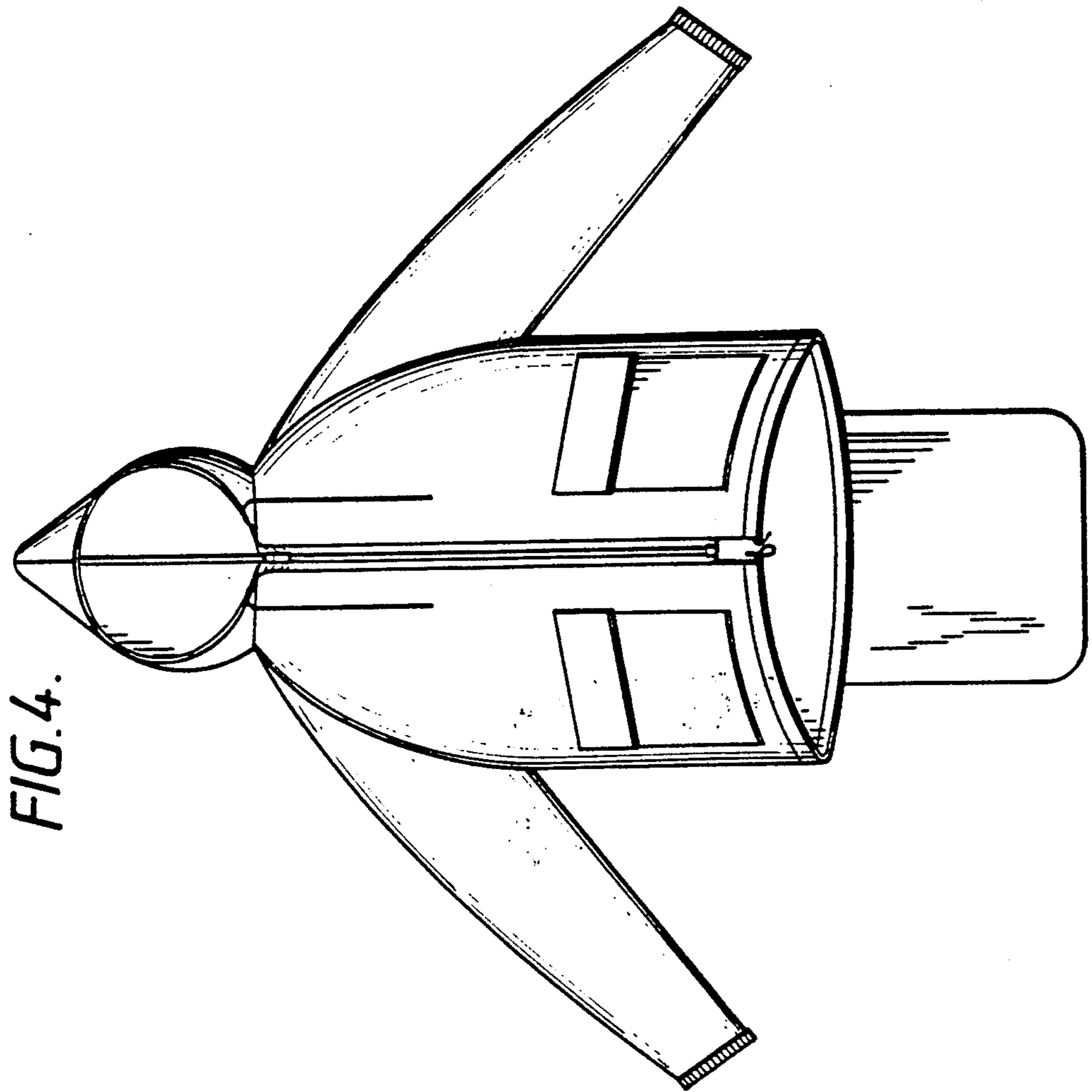


FIG. 4.

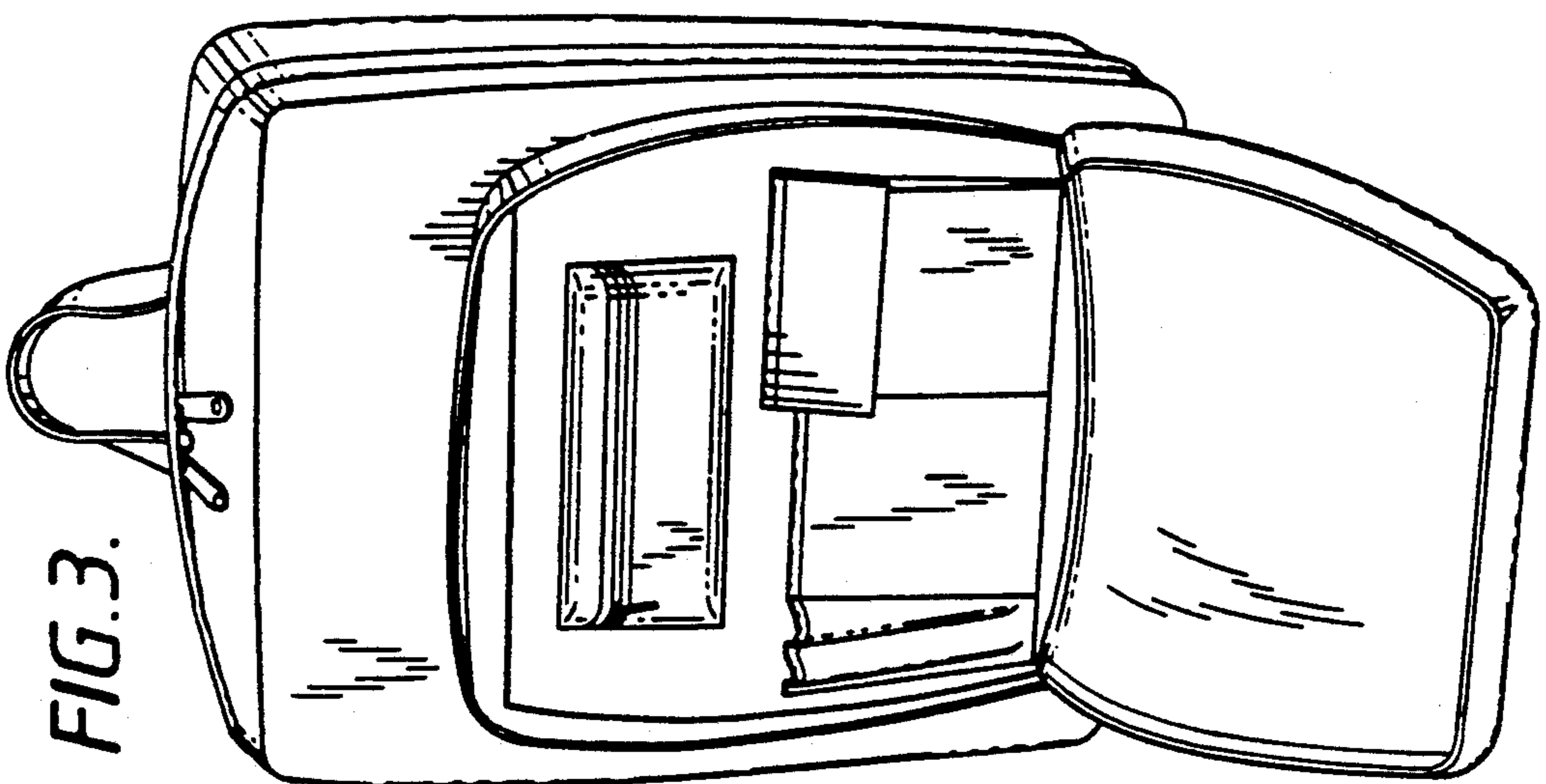
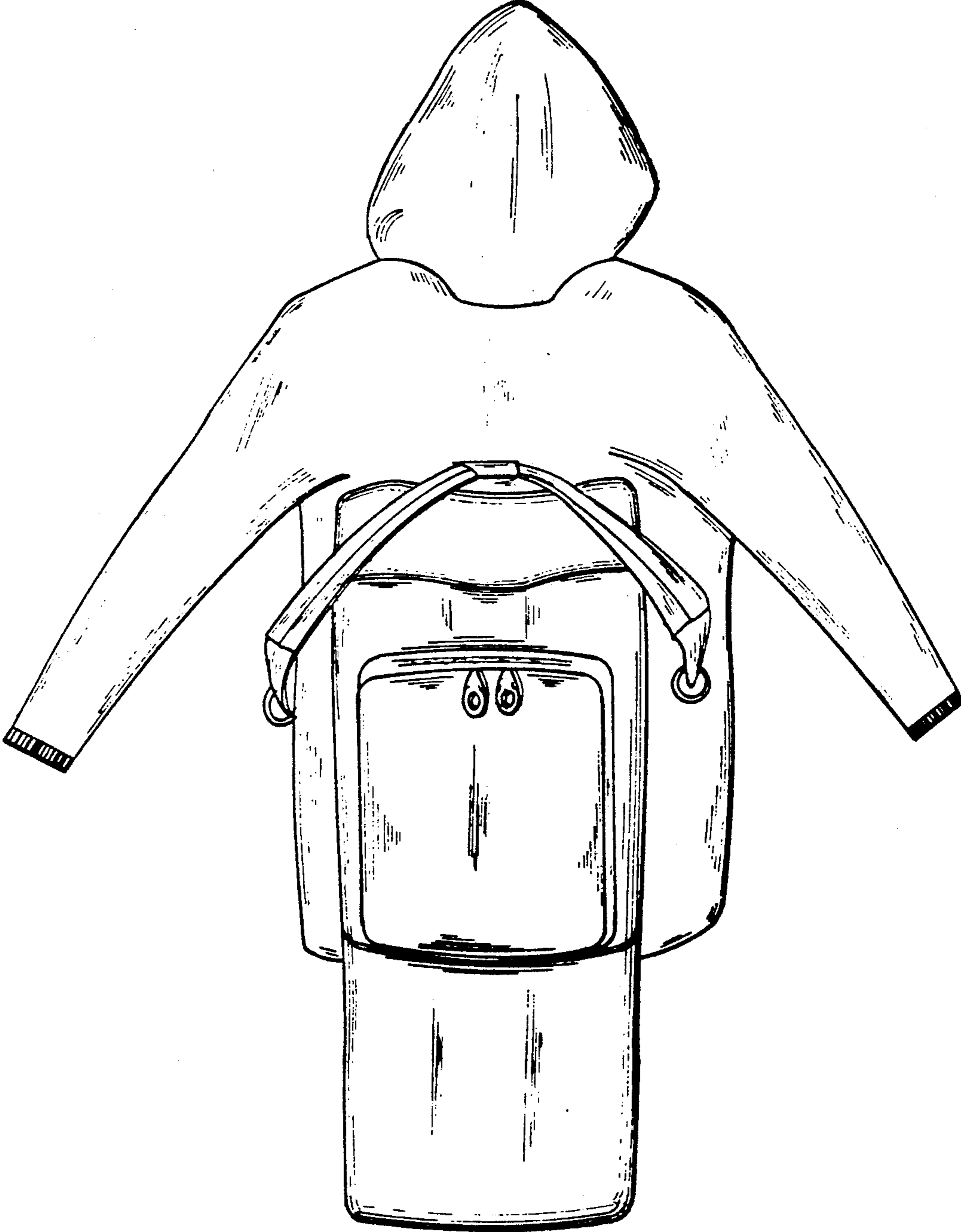
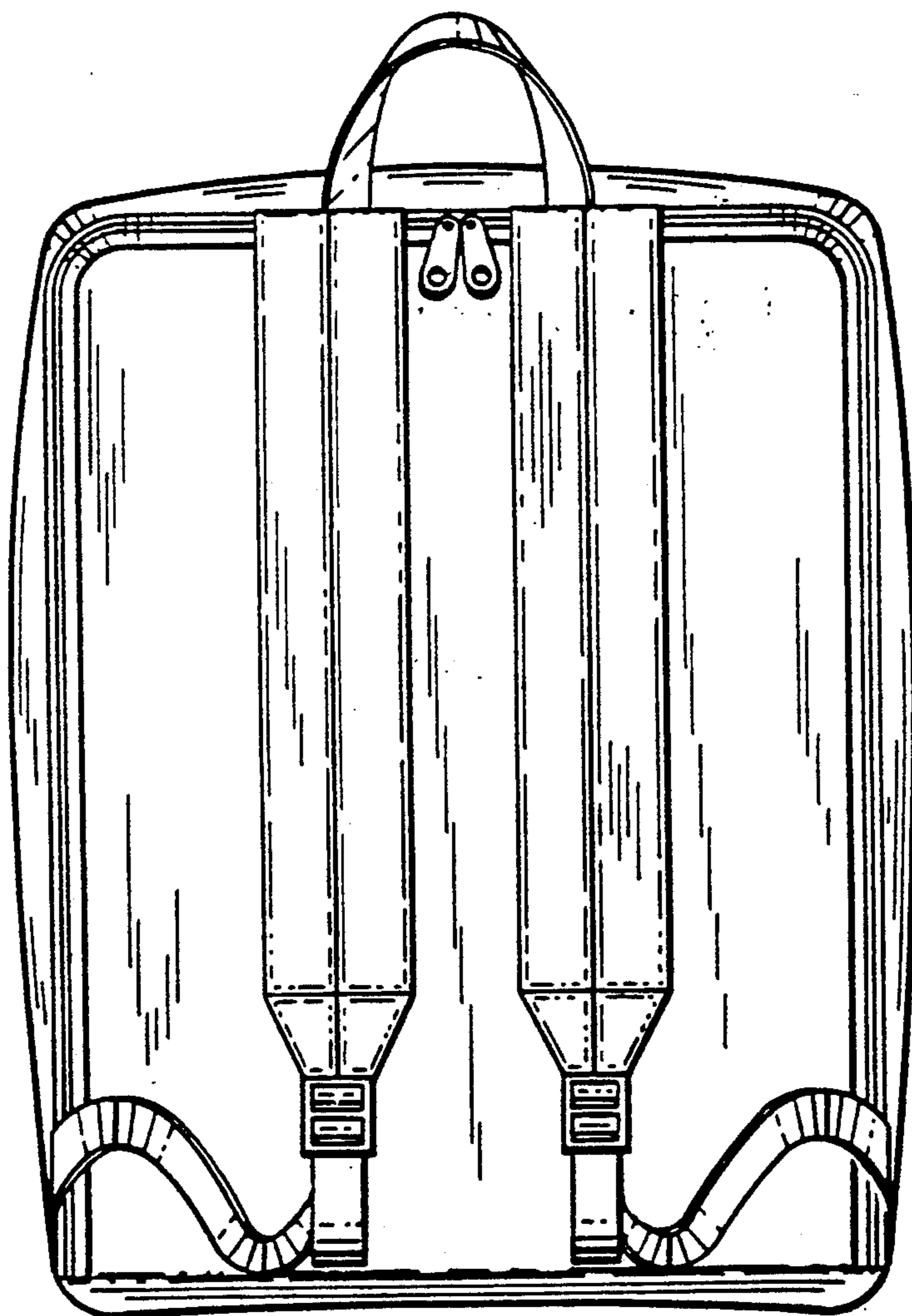


FIG. 3.

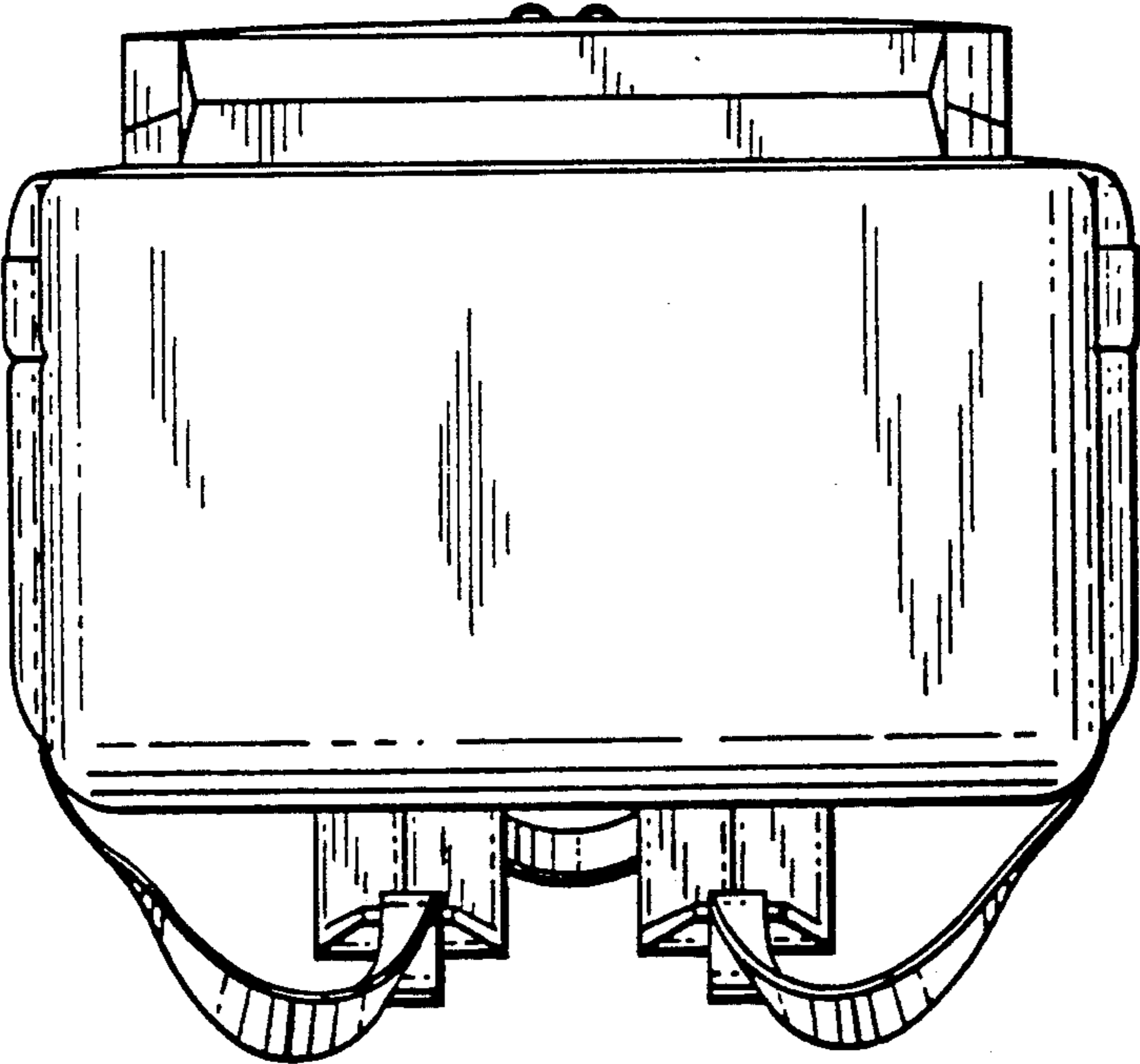
FIG. 5



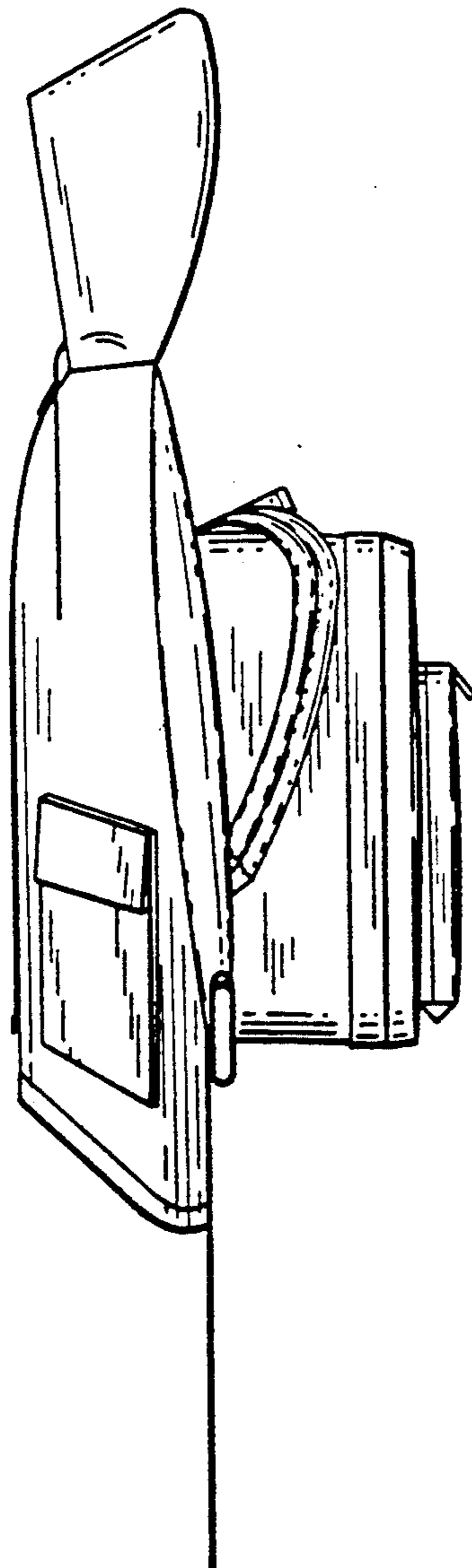
*FIG. 6.*



*FIG. 7.*



*FIG. 8.*



*FIG. 9.*

