



US00D323222S

United States Patent [19]
Roland

[11] **Patent Number: Des. 323,222**

[45] **Date of Patent: ** Jan. 14, 1992**

[54] **MODULAR STRUCTURAL PAD**

[76] **Inventor: Roger P. Roland, NL 15 Lake Cherokee, Longview, Tex. 75603**

[**] **Term: 14 Years**

[21] **Appl. No.: 45,149**

[22] **Filed: May 4, 1987**

[52] **U.S. Cl. D25/138**

[58] **Field of Search D25/58, 138, 157, 158, D25/159; 52/261, 262, 264, 265, 793, 810, 630**

[56] **References Cited**

U.S. PATENT DOCUMENTS

3,568,390 3/1971 Swensen et al. D25/58 X
3,955,845 5/1976 Werner 52/262 X
4,018,025 4/1977 Collette D25/159 X

FOREIGN PATENT DOCUMENTS

3727 of 1909 United Kingdom D25/138

OTHER PUBLICATIONS

1981 Sweet's Catalog File, 3.5/CE, p. 5, steel domes illustration.

Primary Examiner—A. Hugo Word

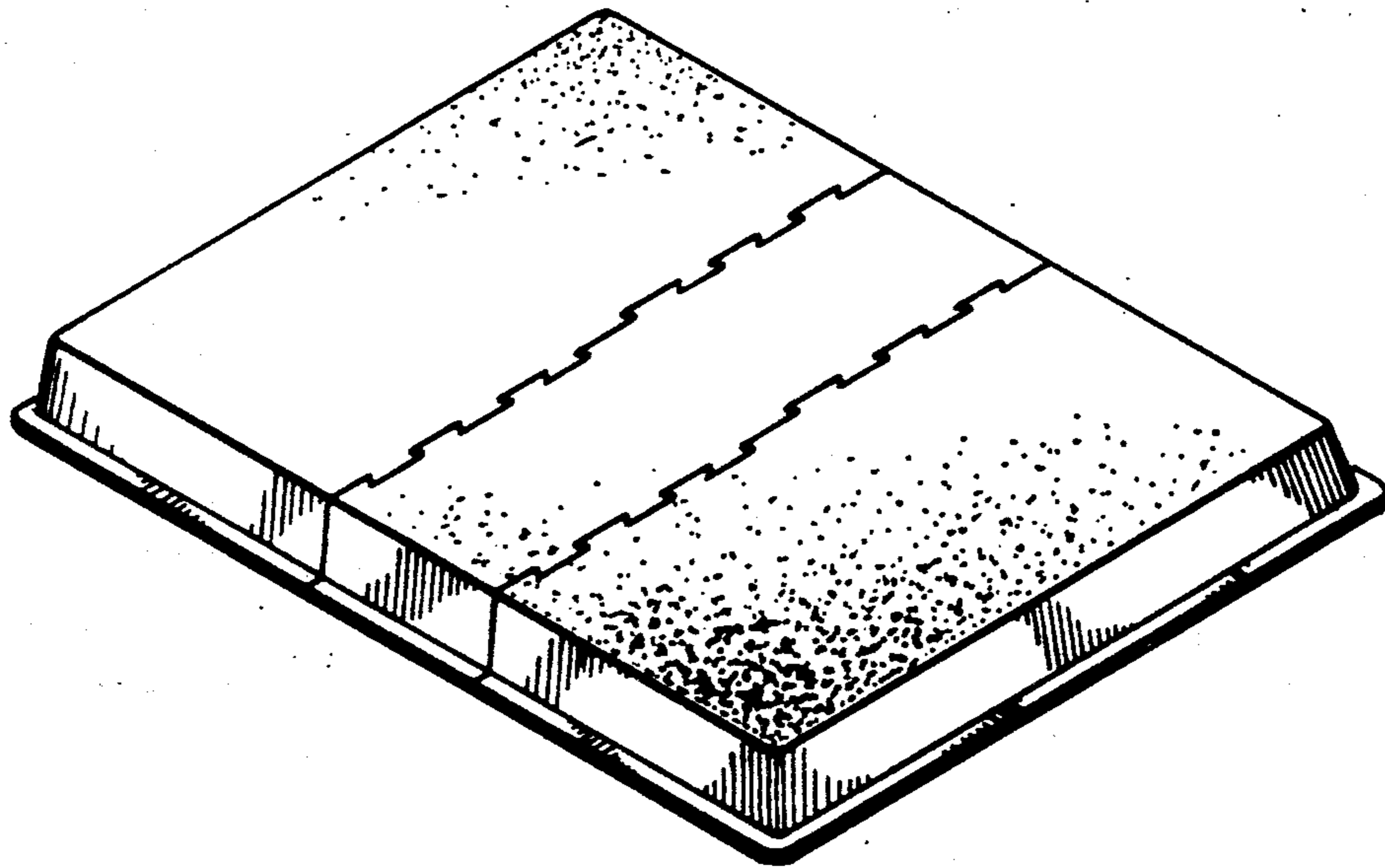
Assistant Examiner—Doris V. Coles

[57] **CLAIM**

The ornamental design for a modular structural pad, as shown and described.

DESCRIPTION

FIG. 1 is a top, perspective view of a modular structural pad, showing my new design;
FIG. 2 is a bottom perspective view thereof;
FIG. 3 is a left side elevational view, the right side being a mirror image thereof;
FIG. 4 is a top plan view thereof;
FIG. 5 is a bottom plan view thereof;
FIG. 6 is a front elevational view, the rear being a mirror image thereof;
FIG. 7 is a top plan view of a second embodiment;
FIG. 8 is a bottom plan view thereof;
FIG. 9 is a left side elevational view, the right side being a mirror image thereof, the front and rear elevational views being identical to FIG. 6;
FIG. 10 is a top, front, side perspective view of a third embodiment; the top, rear, side perspective view being a mirror image thereof; and
FIG. 11 is a bottom, front, side perspective view, the bottom rear side perspective view being a mirror image thereof.



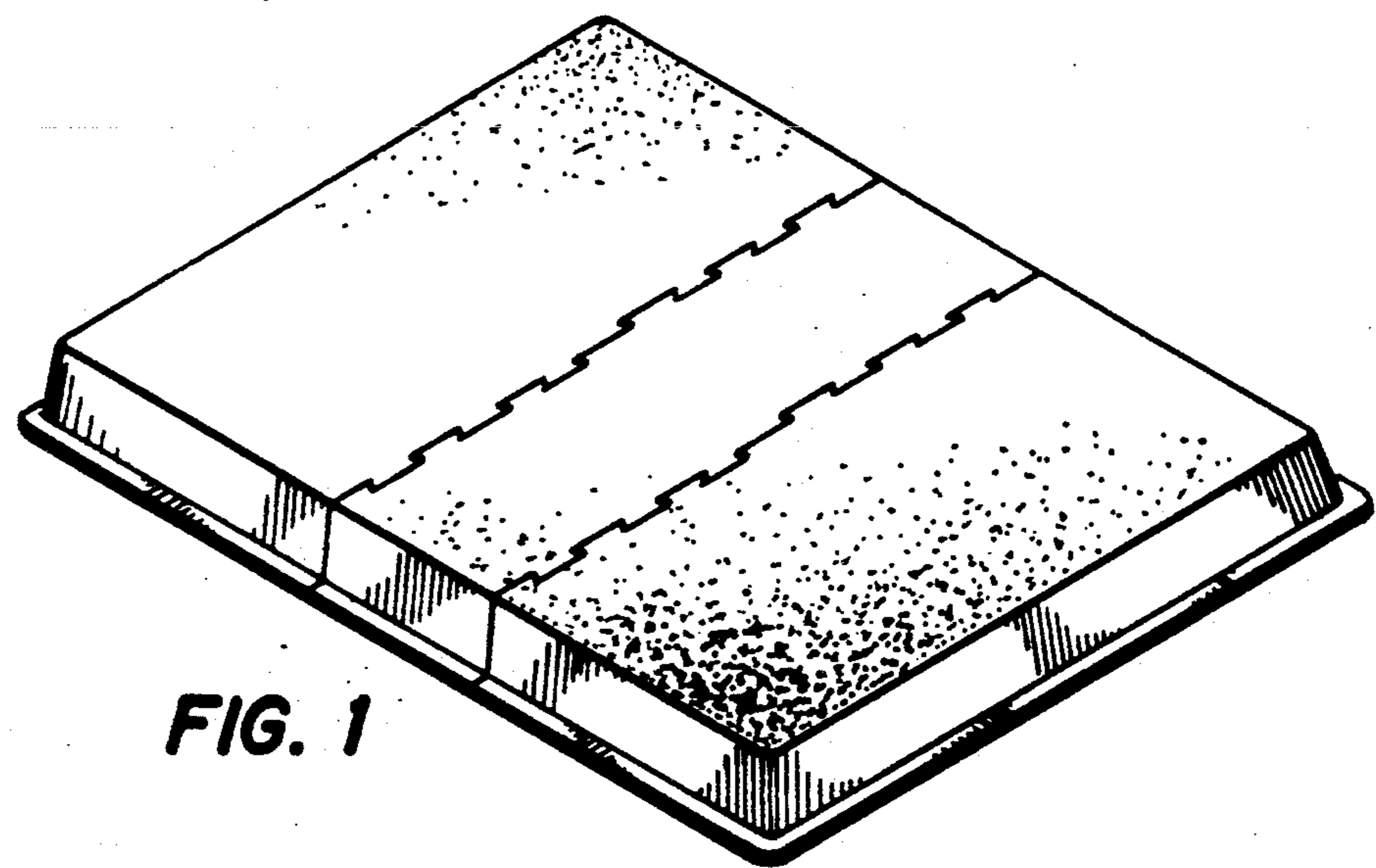


FIG. 1

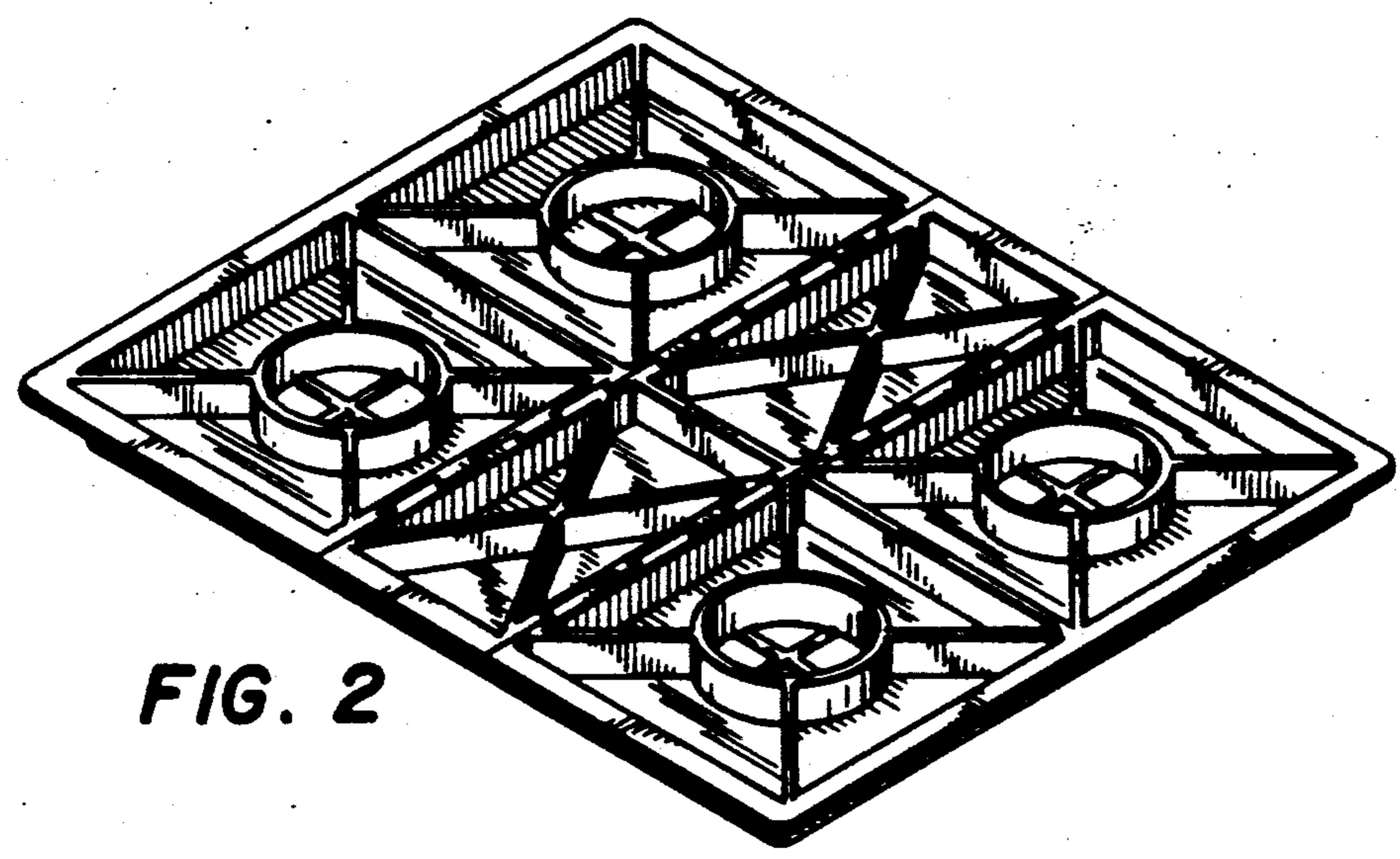


FIG. 2

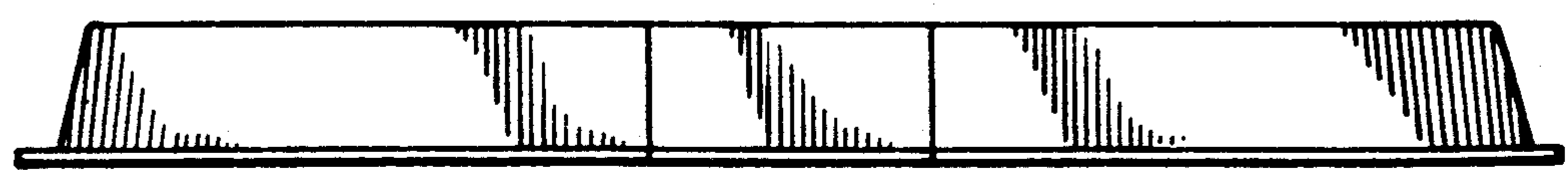


FIG. 3

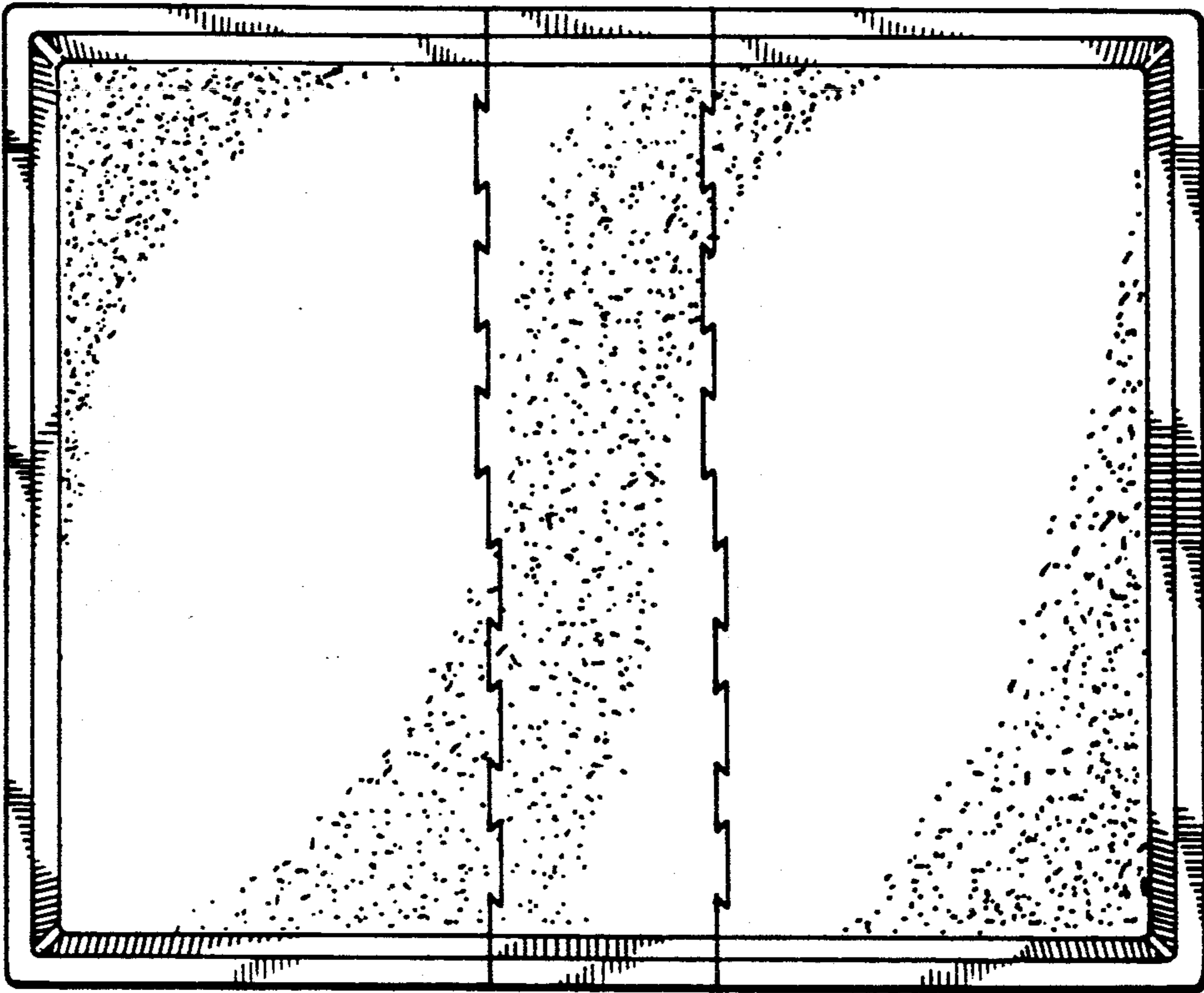


FIG. 4

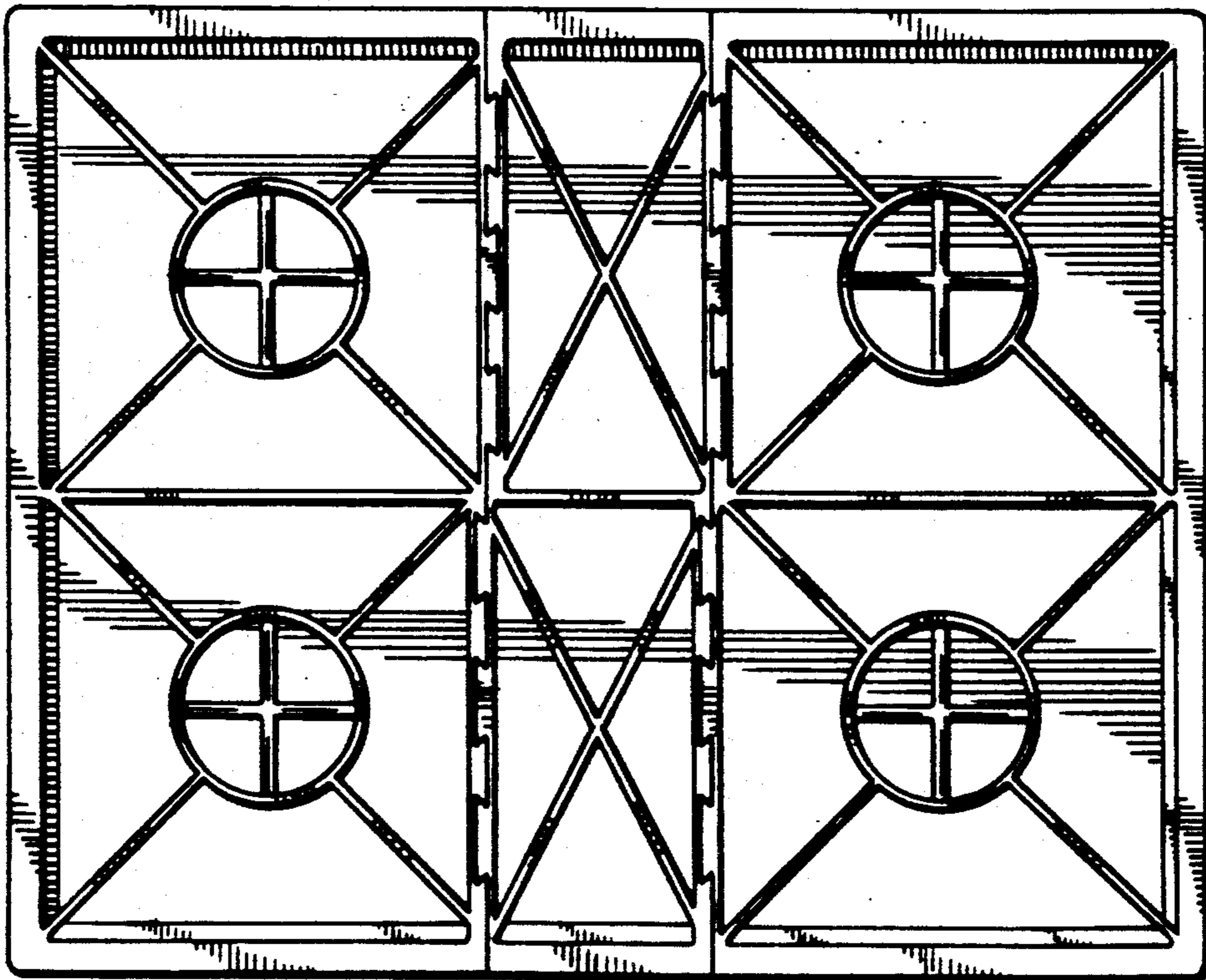


FIG. 5



FIG. 6

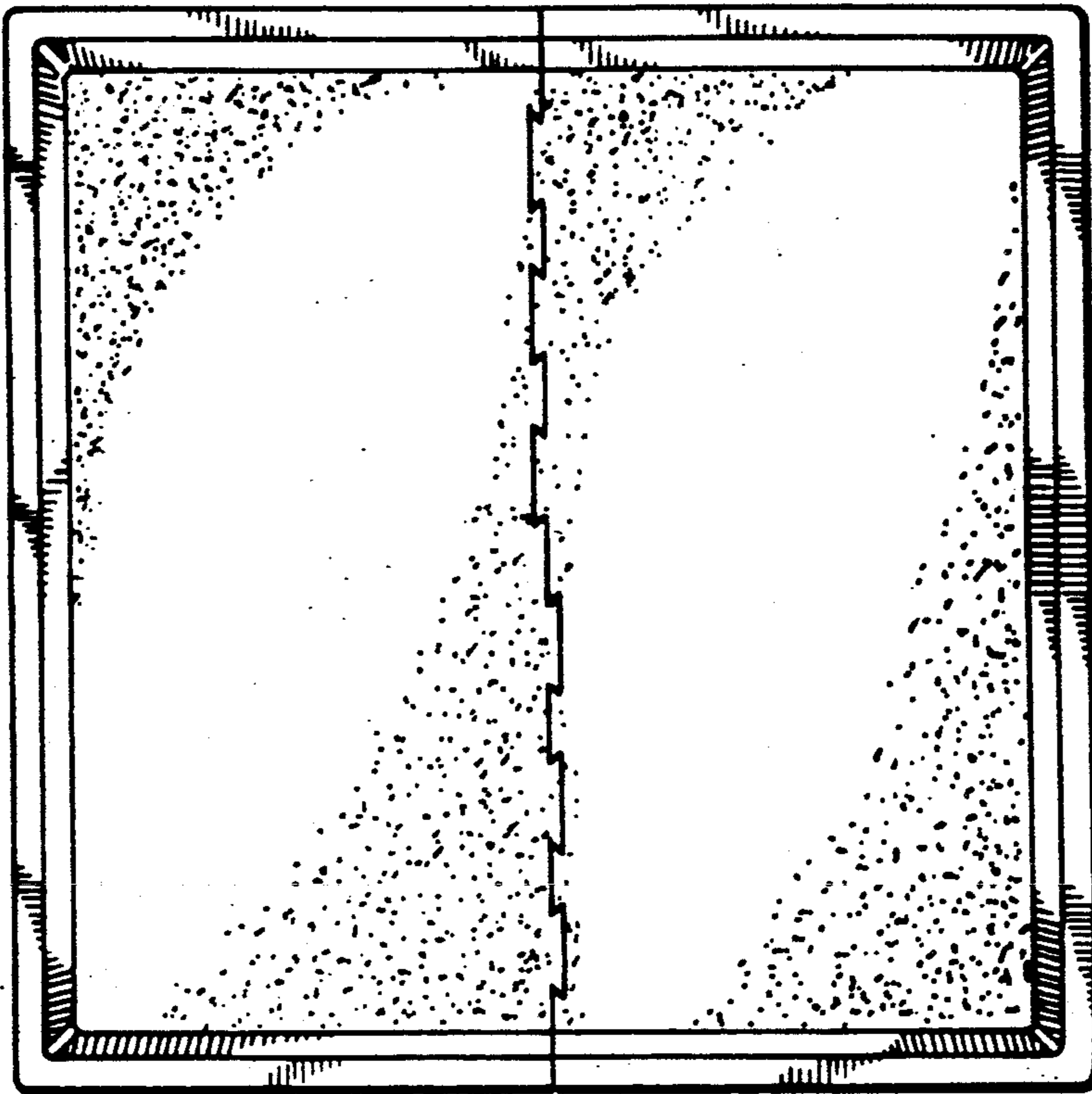


FIG. 7

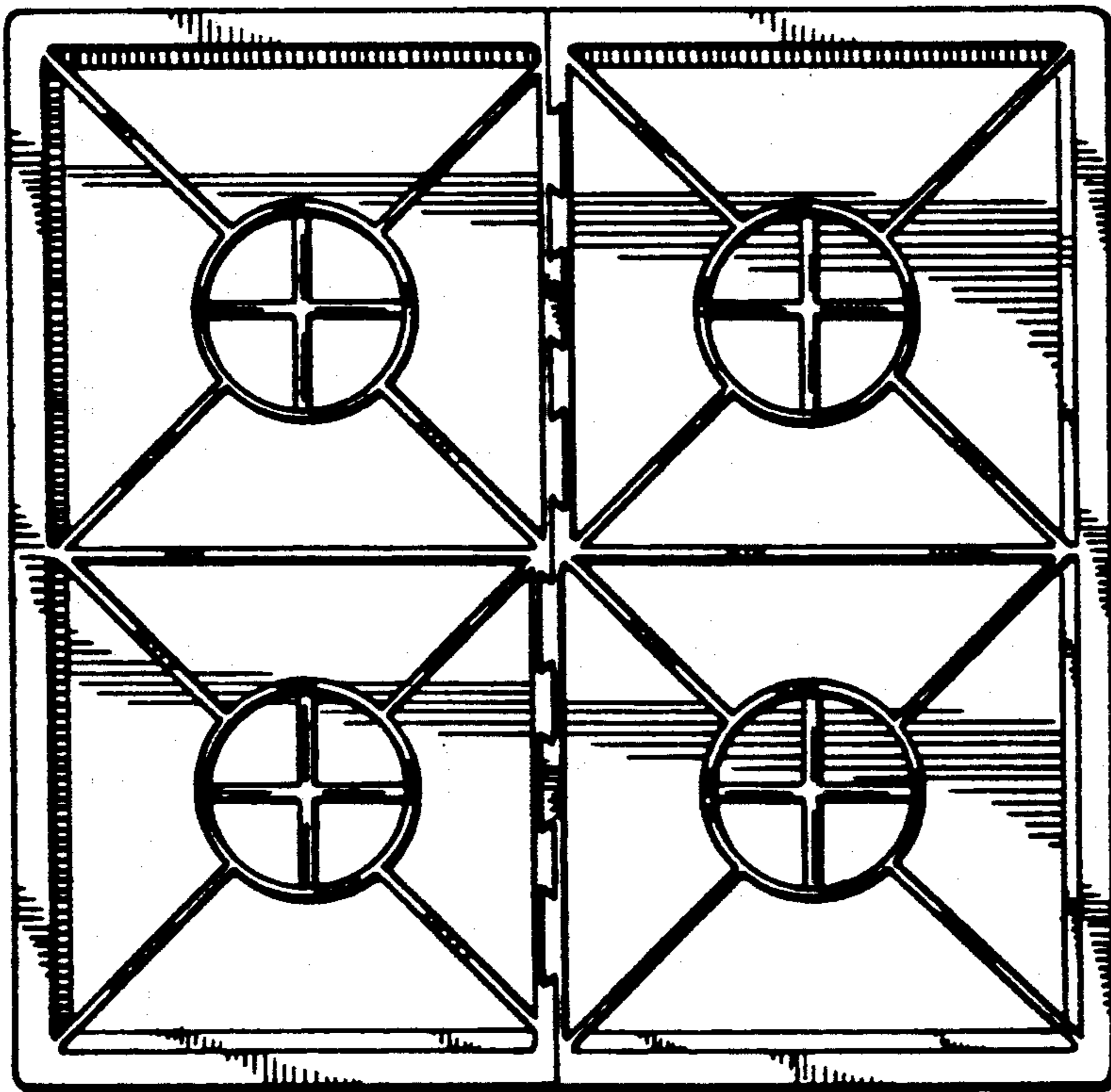


FIG. 8



FIG. 9

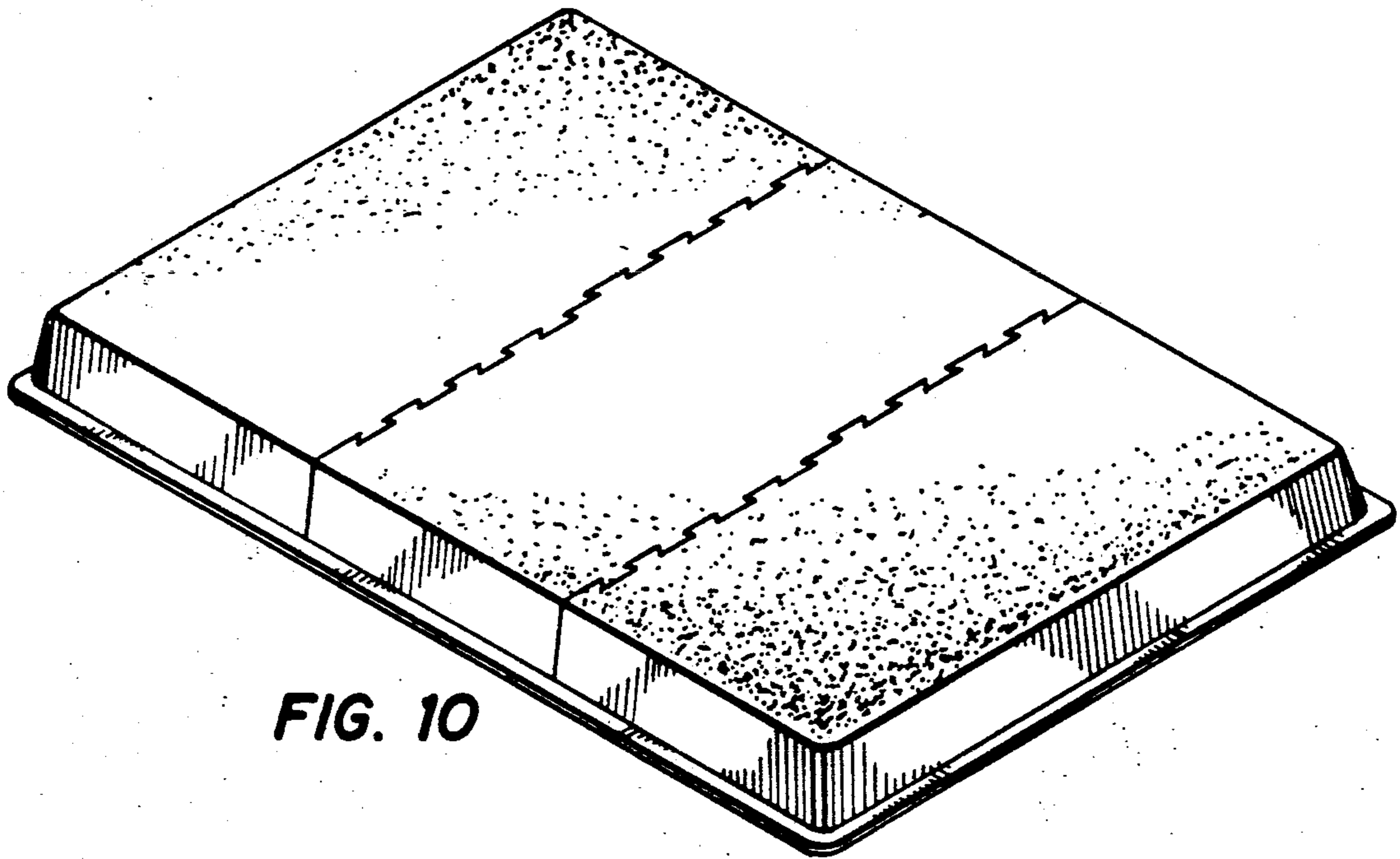


FIG. 10

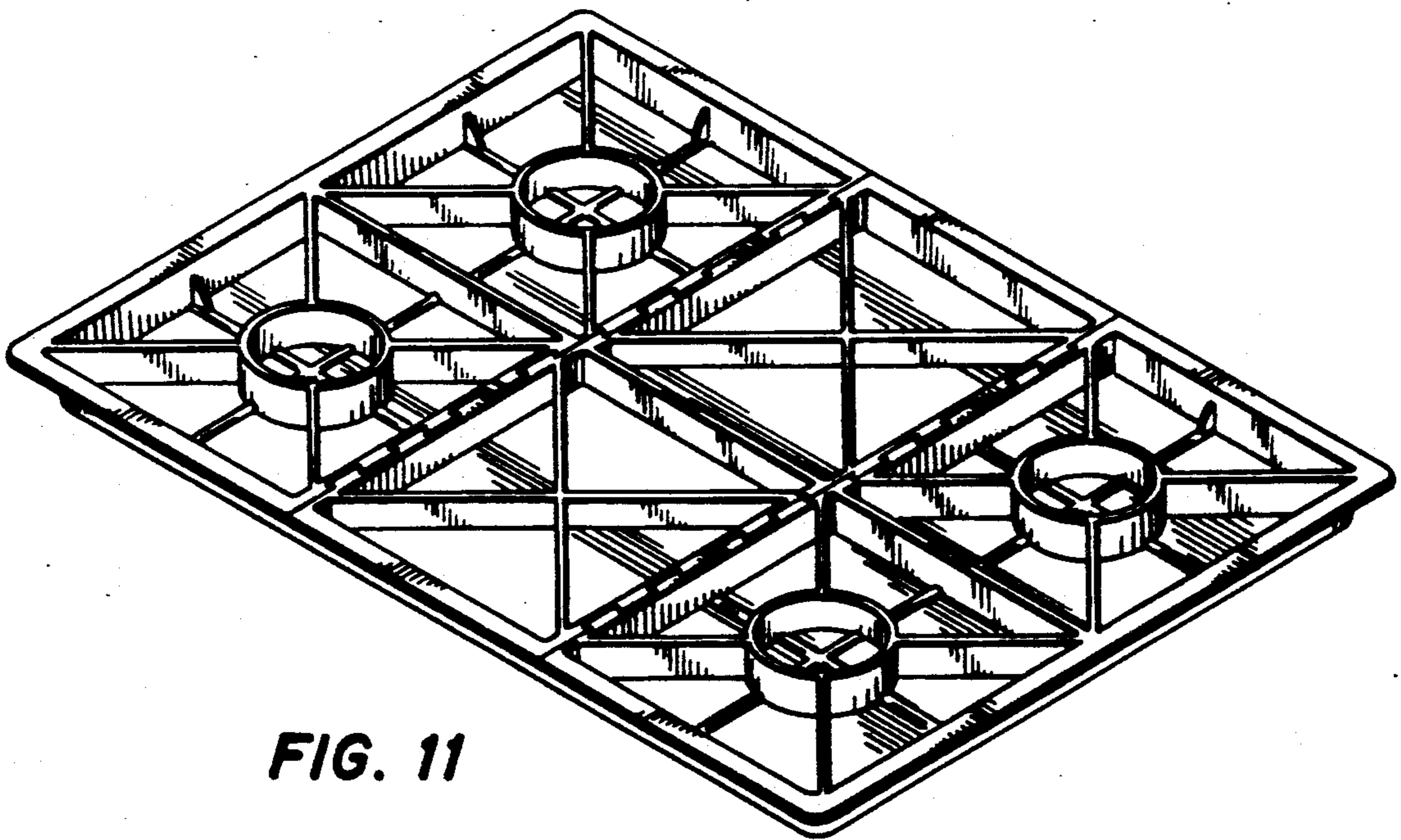


FIG. 11