



US00D323219S

United States Patent [19]

[11] Patent Number: **Des. 323,219**

Weir

[45] Date of Patent: **** Jan. 14, 1992**

[54] **SWIMMING POOL**

[75] Inventor: **Donald H. Weir, York, Pa.**

[73] Assignee: **Wexco Incorporated, York, Pa.**

[**] Term: **14 Years**

[21] Appl. No.: **395,914**

[22] Filed: **Aug. 7, 1989**

[52] U.S. Cl. **D25/2**

[58] Field of Search **D25/2; D24/38; D23/277, D23/280, 287; 52/169.7, 169.8, 169.9; 4/506, 513, 488, 489, 538, 555, 584, 541-542, 490**

[56] **References Cited**

U.S. PATENT DOCUMENTS

- D. 122,594 9/1940 Goeltz D23/277
- D. 244,452 5/1977 Ohshiro D25/2

Primary Examiner—A. Hugo Word
Assistant Examiner—Doris V. Coles
Attorney, Agent, or Firm—Arthur J. Plantamura

[57] CLAIM

The ornamental design for a swimming pool, as shown and described.

DESCRIPTION

FIG. 1 is a perspective view of a swimming pool showing my new design;
 FIG. 2 is a top plan view thereof;
 FIG. 3 is a cross sectional view taken along line 3—3 of FIG. 2;
 FIG. 4 is an end cross sectional view, taken along line 4—4 of FIG. 2; and
 FIG. 5 is the opposite end view, taken along line 5—5 of FIG. 2.

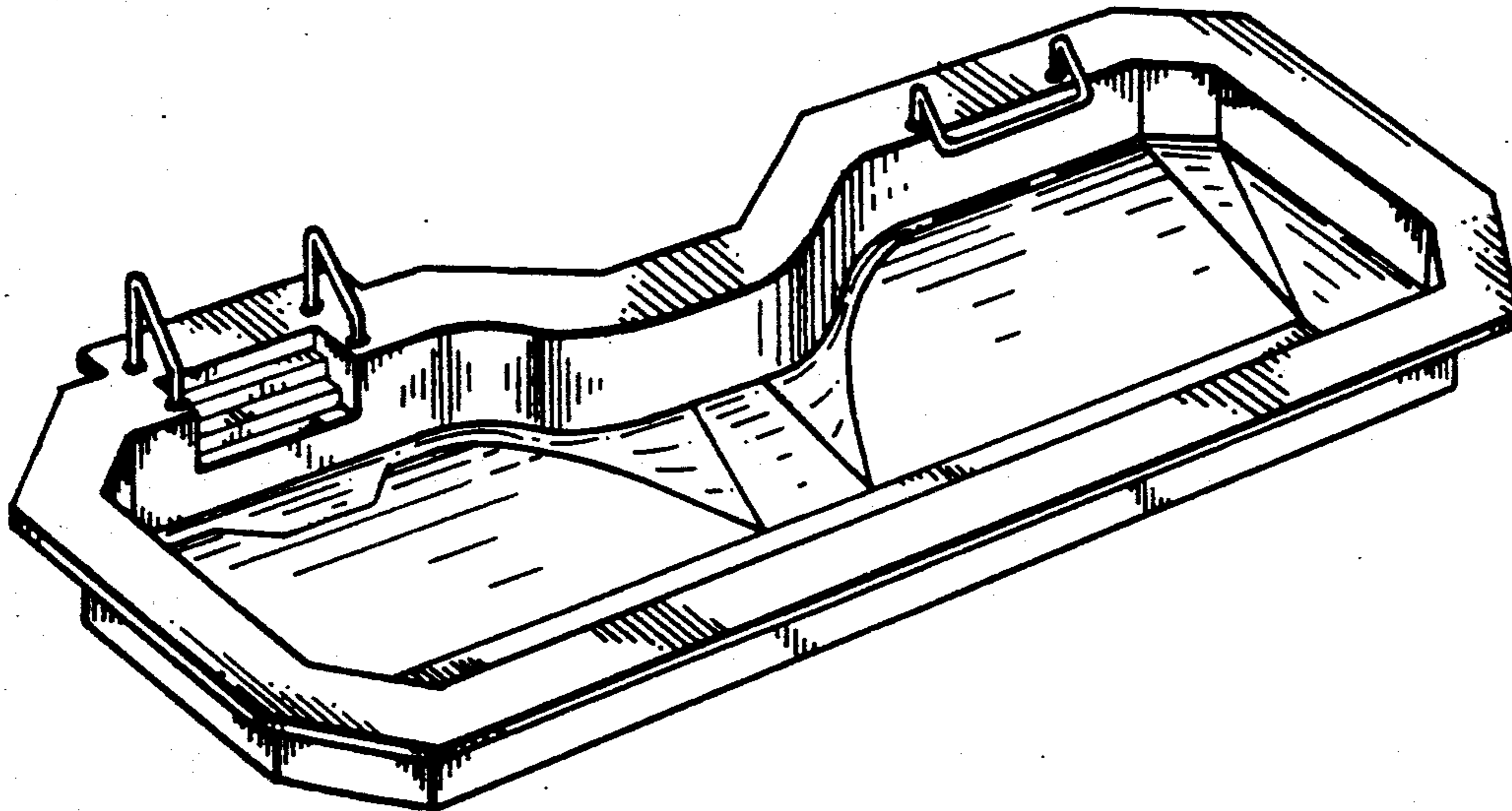


FIG. 1

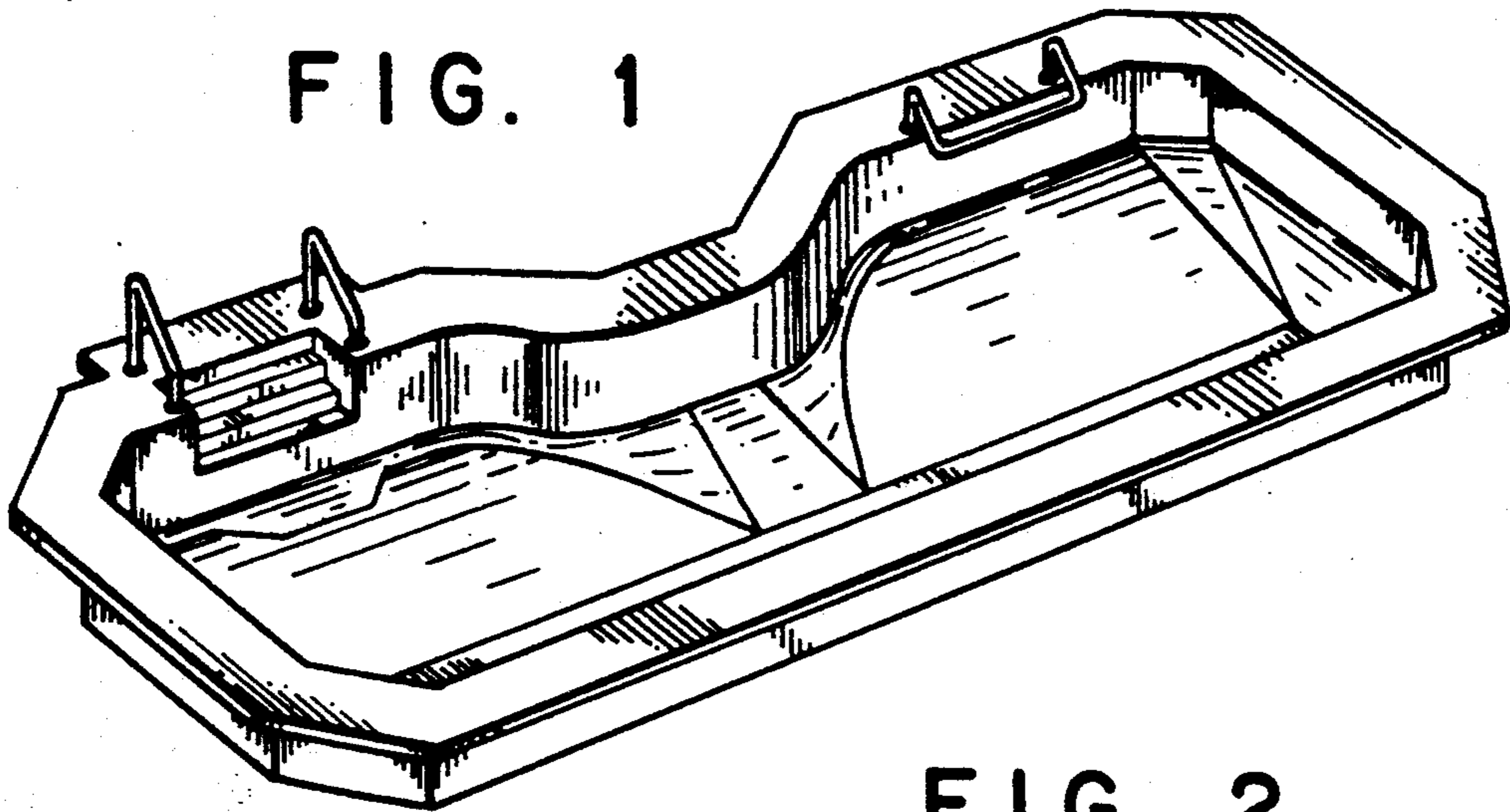


FIG. 2

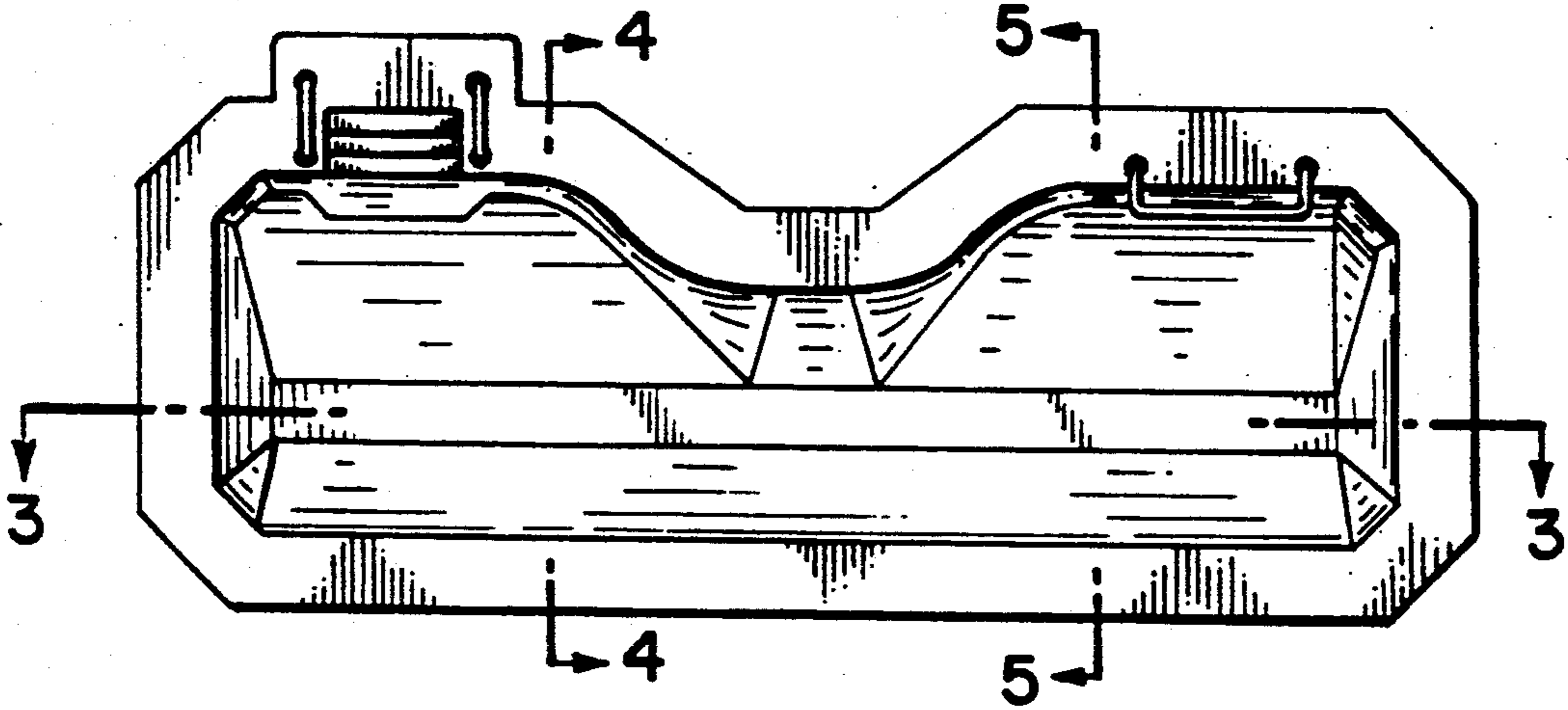


FIG. 3

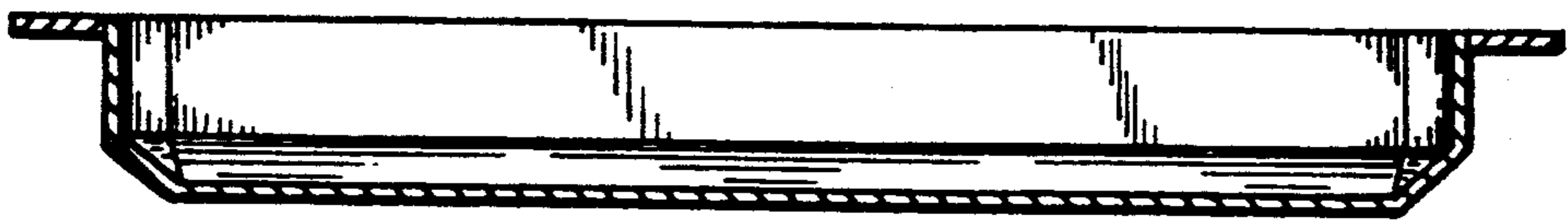


FIG. 4

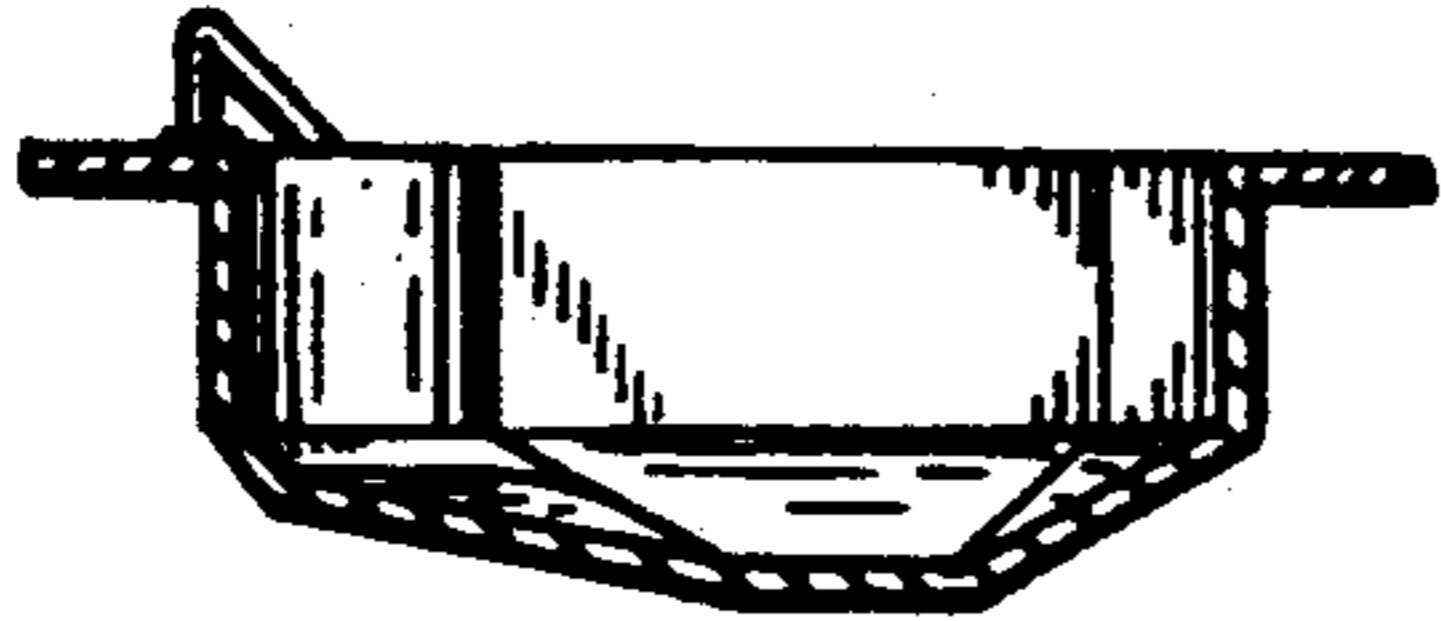


FIG. 5

