



US00D323203S

United States Patent [19]
Pedersen

[11] **Patent Number: Des. 323,203**

[45] **Date of Patent: ** Jan. 14, 1992**

[54] **WATER FILTER**

[76] **Inventor: Paul M. Pedersen, 12215 Wheeling Ave., Upper Marlboro, Md. 20772**

[**] **Term: 14 Years**

[21] **Appl. No.: 499,075**

[22] **Filed: Mar. 26, 1990**

[52] **U.S. Cl. D23/209**

[58] **Field of Search D23/200, 207-210; 210/136, 205-206, 231, 241, 244-245, 257.1-257.2, 258, 260-261, 269, 275, 282, 288-290, 295, 321.6, 321.78, 416.3, 443-449**

[56] **References Cited**

U.S. PATENT DOCUMENTS

D. 256,719 9/1980 Rose D23/207

D. 279,027 5/1985 Weisenbarger et al. D23/207
D. 288,115 2/1987 McCausland et al. D23/207
D. 295,864 5/1988 Toivio et al. D23/209 X
3,971,947 7/1976 Lambert et al. D23/209 X

Primary Examiner—Susan J. Lucas
Assistant Examiner—M. H. Tung
Attorney, Agent, or Firm—Michael J. McGreal

[57] **CLAIM**

The ornamental design for a water filter, as shown and described.

DESCRIPTION

FIG. 1 is a top, front, left side perspective view of a water filter showing my new design;
FIG. 2 is a right side elevational view thereof;
FIG. 3 is a bottom plan view thereof;
FIG. 4 is a front elevational view thereof, the rear being a mirror image.

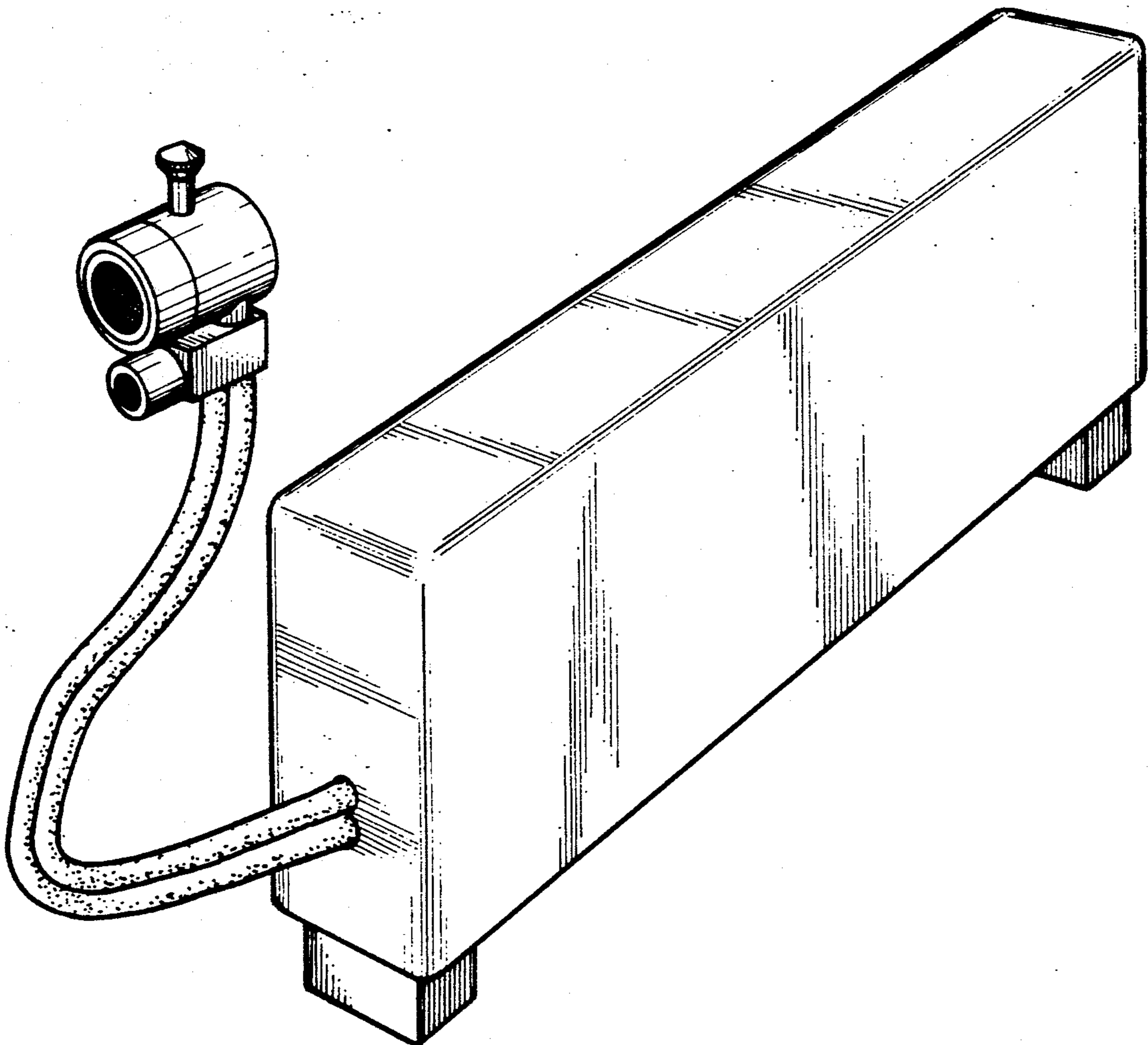


FIG. 1

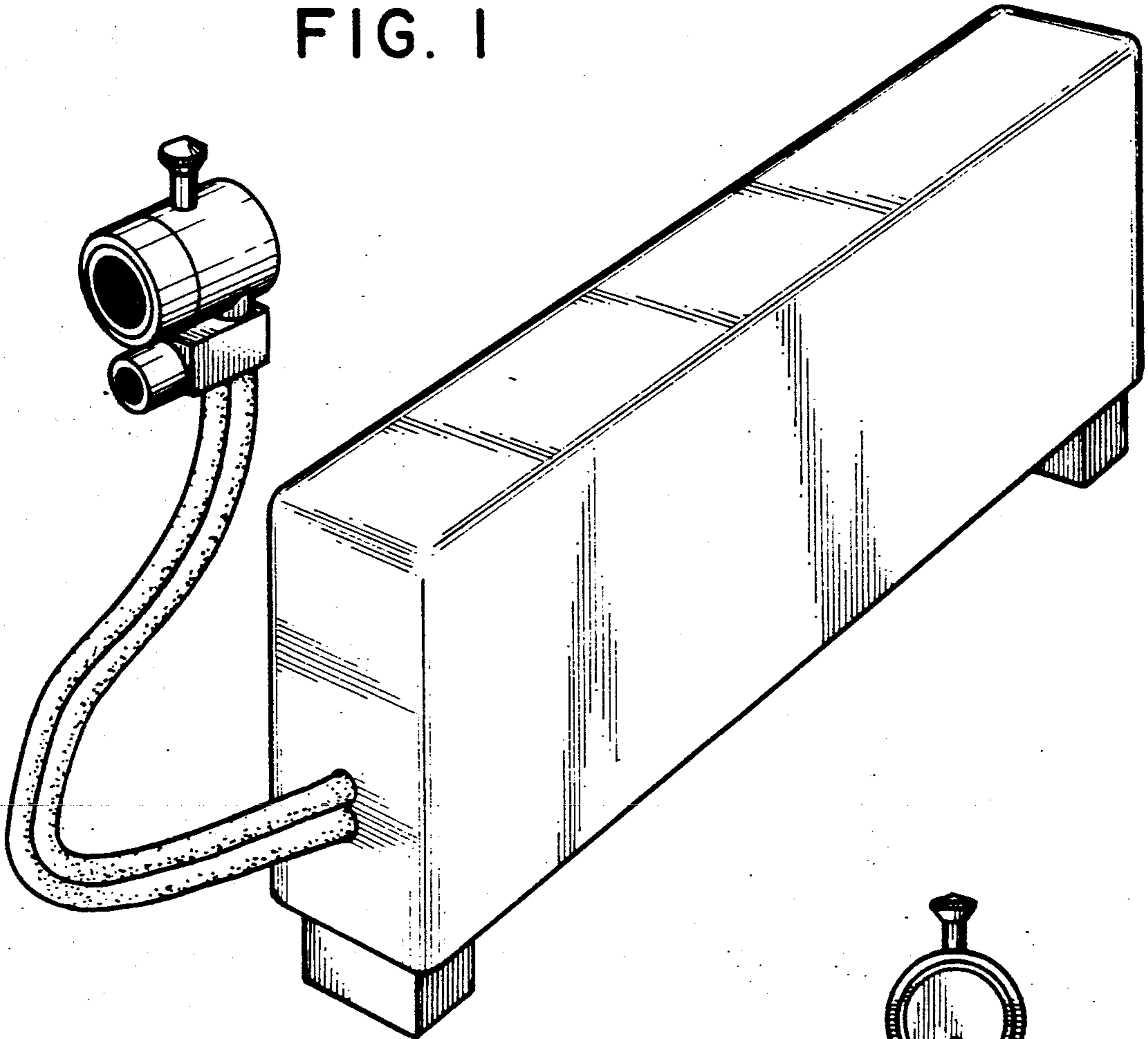


FIG. 2

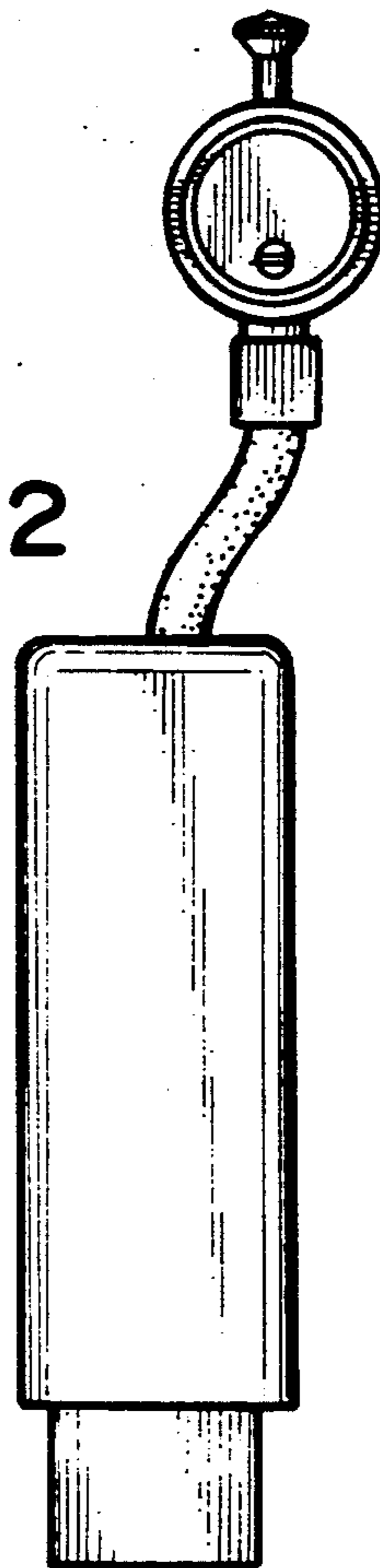


FIG. 3

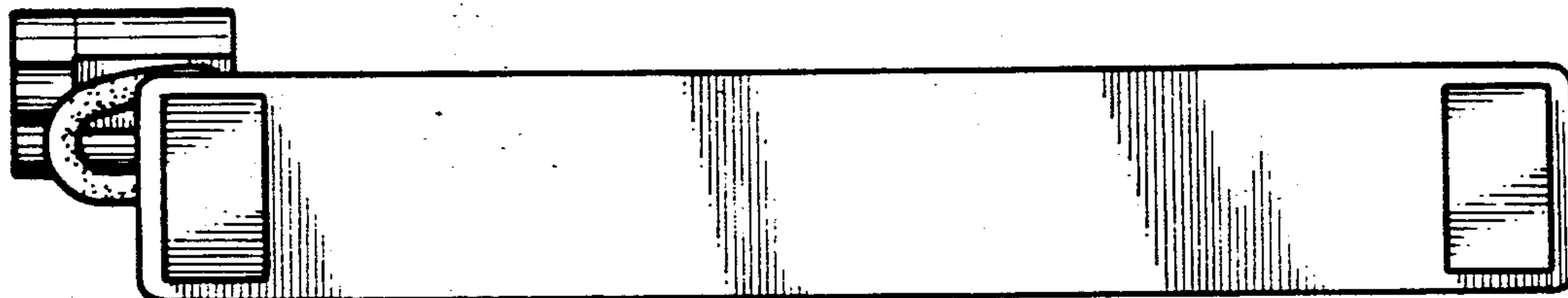


FIG. 4

