



US00D323201S

# United States Patent [19]

[11] Patent Number: **Des. 323,201**

**Adams**

[45] Date of Patent: **\*\* Jan. 14, 1992**

[54] **FLY CASTING REEL**

[76] Inventor: **William A. Adams**, 91 Fairfax St.,  
West Haven, Conn. 06516

[\*\*] Term: **14 Years**

[21] Appl. No.: **415,531**

[22] Filed: **Oct. 2, 1989**

[52] U.S. Cl. .... **D22/140**

[58] Field of Search ..... **D22/137, 140; 242/317,  
242/295, 307, 283**

4,168,041 9/1979 Moosberg ..... 242/295  
4,715,555 12/1987 McChristian, Jr. .... 242/317 X  
4,883,238 11/1989 Harder ..... 242/317

*Primary Examiner*—A. Hugo Word  
*Assistant Examiner*—Doris V. Coles  
*Attorney, Agent, or Firm*—Bachman & LaPointe

[57] **CLAIM**

The ornamental design for a fly casting reel, as shown and described.

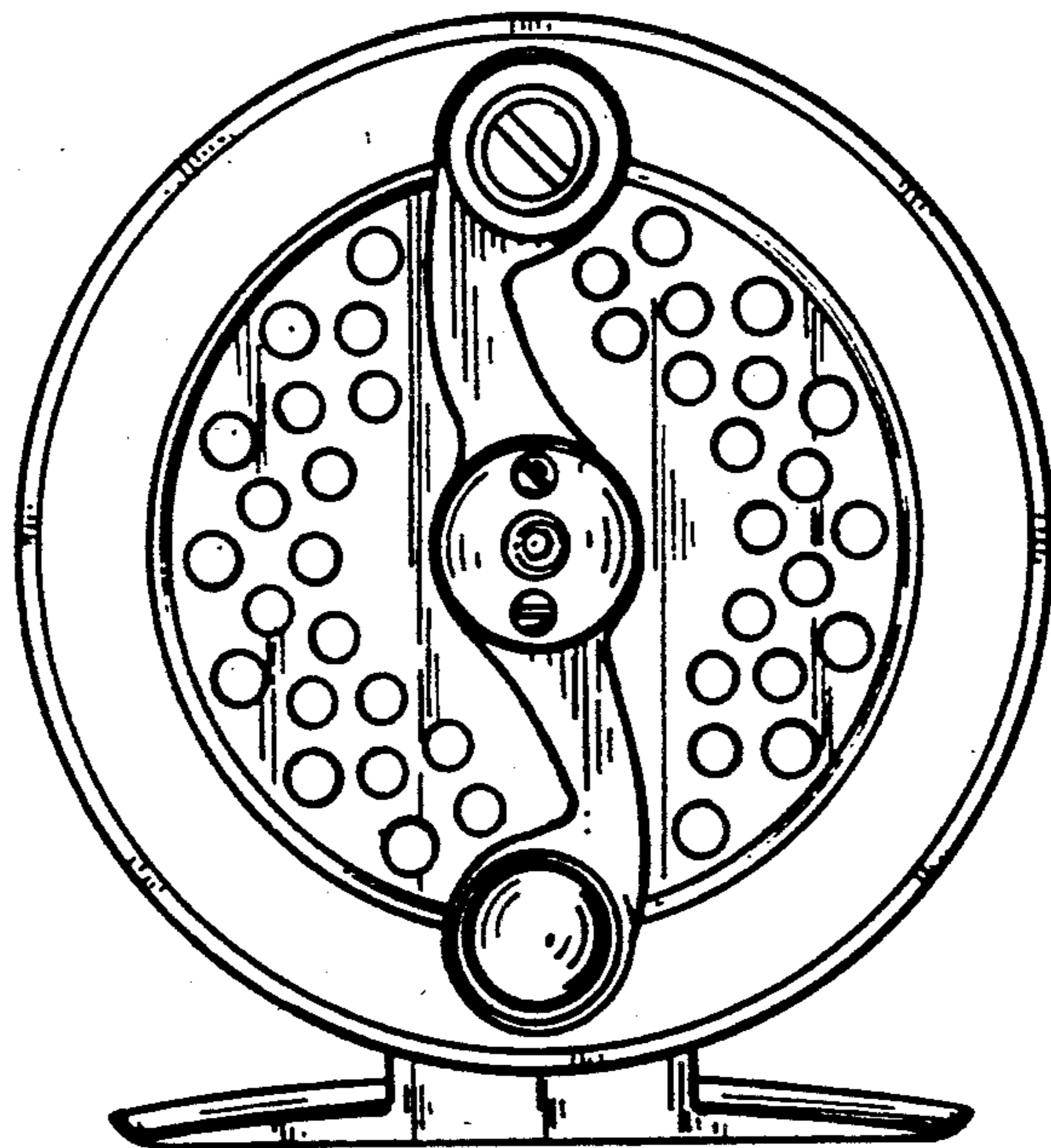
**DESCRIPTION**

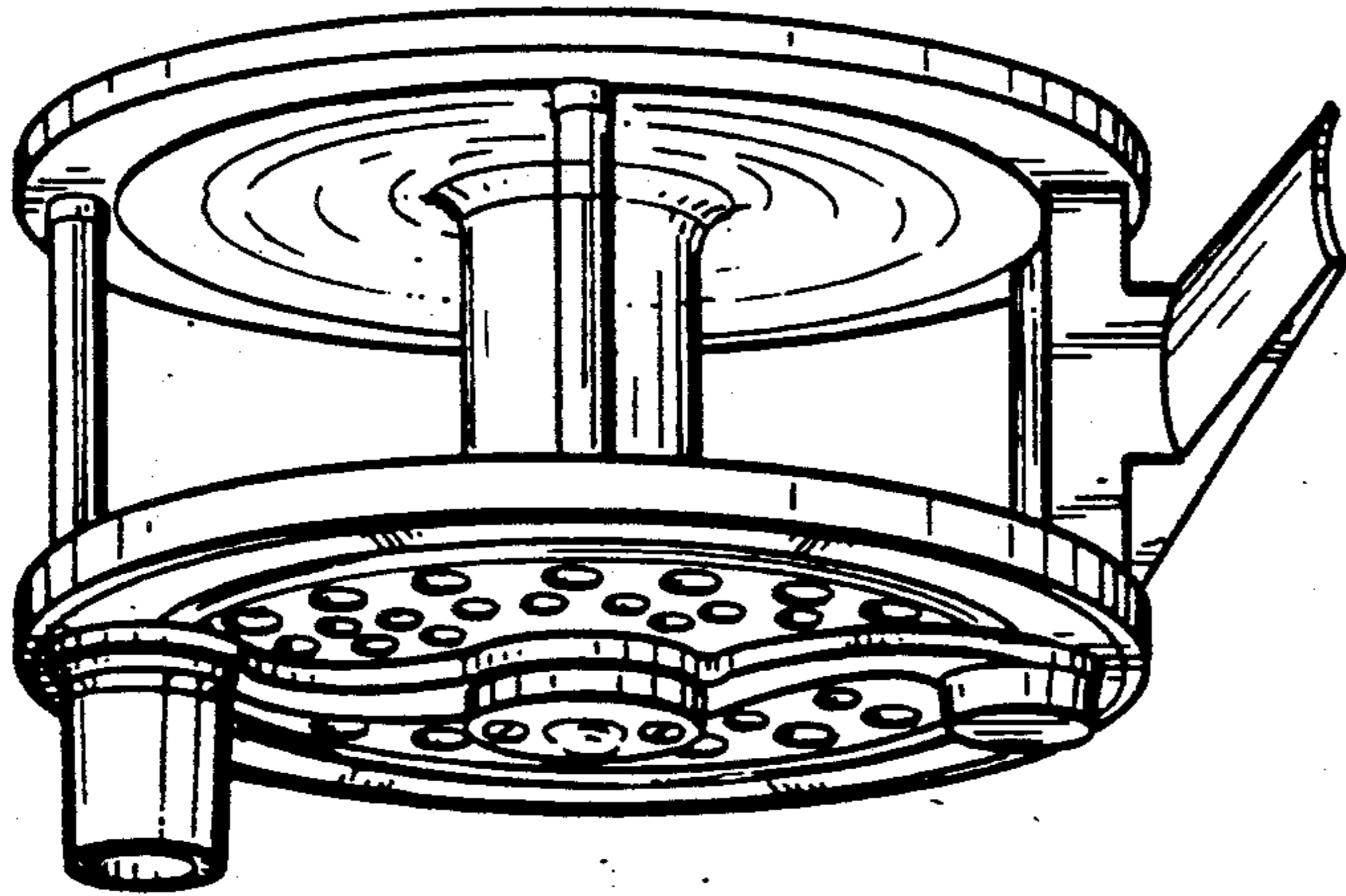
FIG. 1 is a perspective view of a fly casting reel, showing my new design;  
FIG. 2 is a top plan view thereof;  
FIG. 3 is a bottom plan view thereof;  
FIG. 4 is a left side elevational view thereof;  
FIG. 5 is a front elevational view, the rear being a mirror image thereof; and  
FIG. 6 is a right side elevational view thereof.

[56] **References Cited**

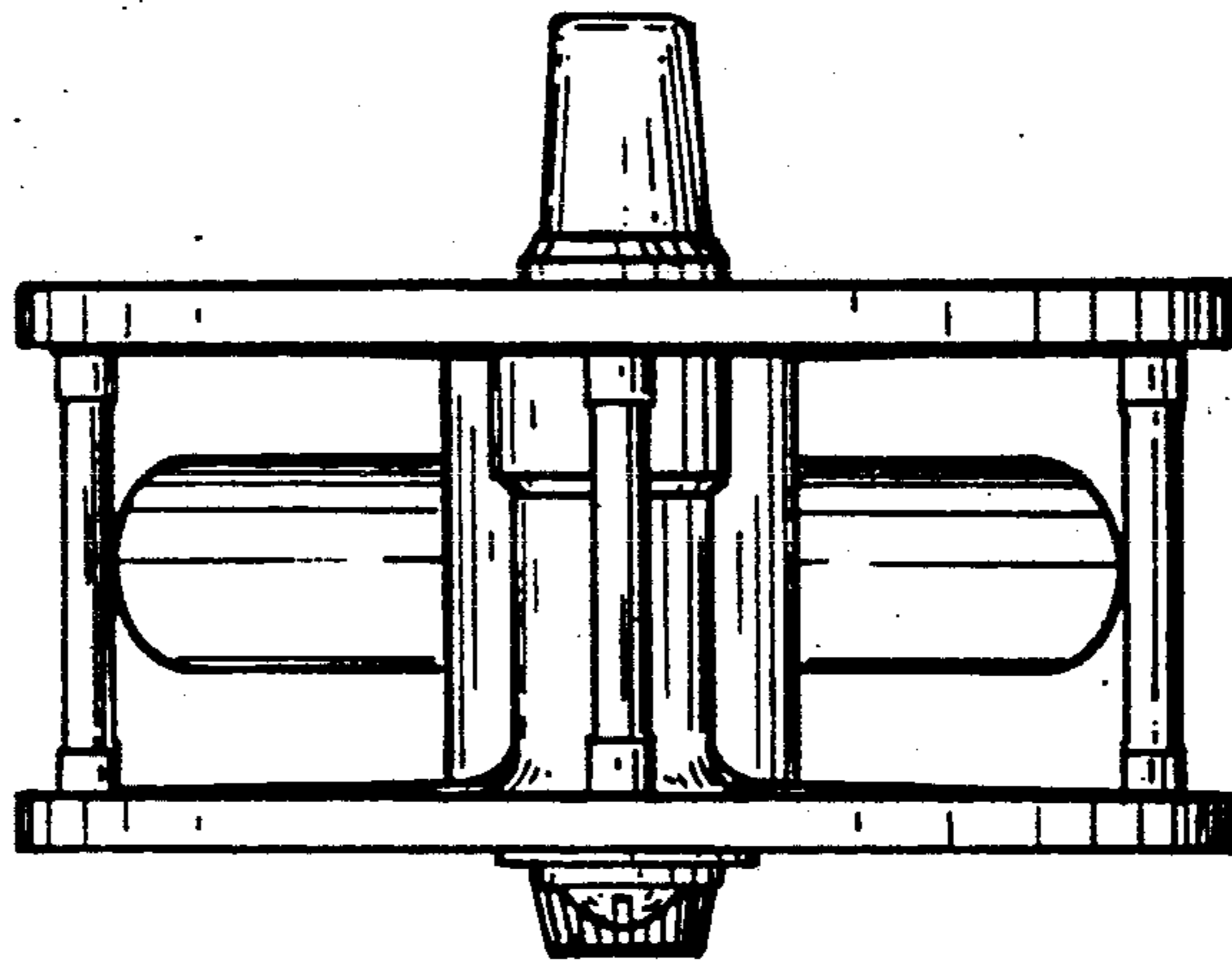
**U.S. PATENT DOCUMENTS**

D. 81,995	9/1930	Pflueger	.....	D22/140
D. 214,497	6/1969	Bittaker, Jr.	.....	D22/140
2,754,070	7/1956	Schrall	.....	242/295
3,574,339	4/1971	Sarah	.....	242/295
3,697,012	10/1972	Walker	.....	242/295
3,986,679	10/1976	McMickle	.....	242/317 X

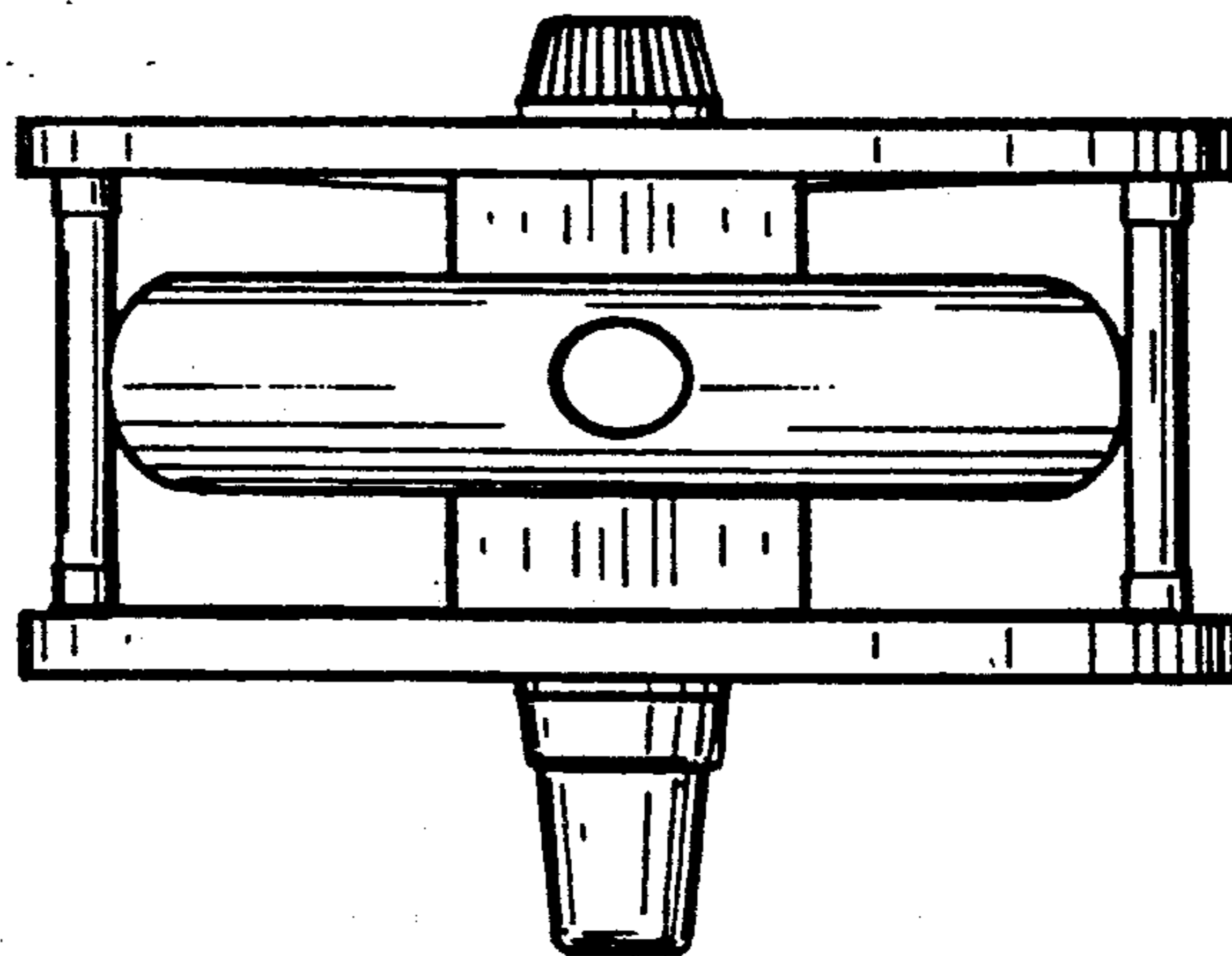




*FIG-1*



*FIG-2*



*FIG-3*

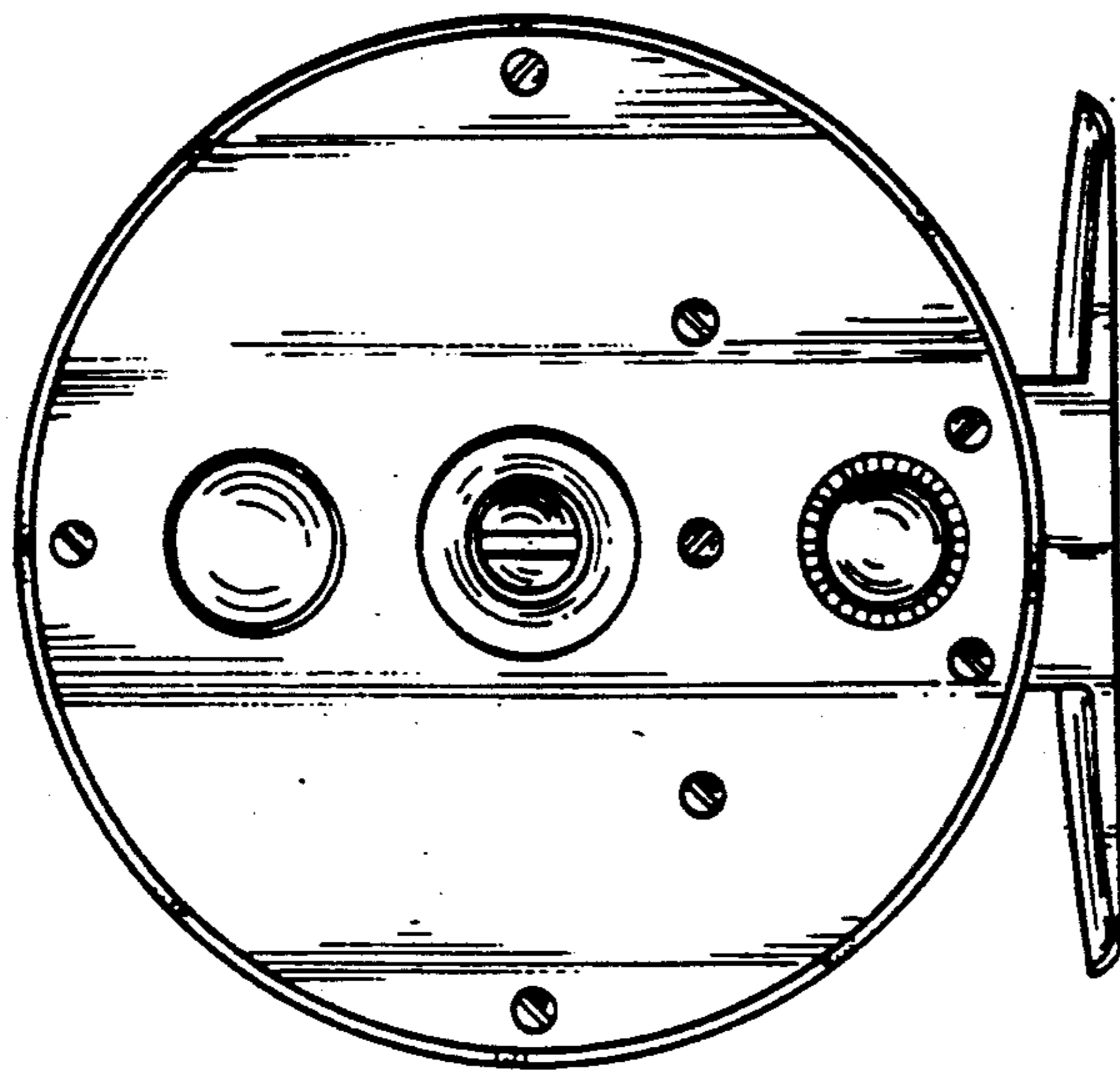


FIG-6

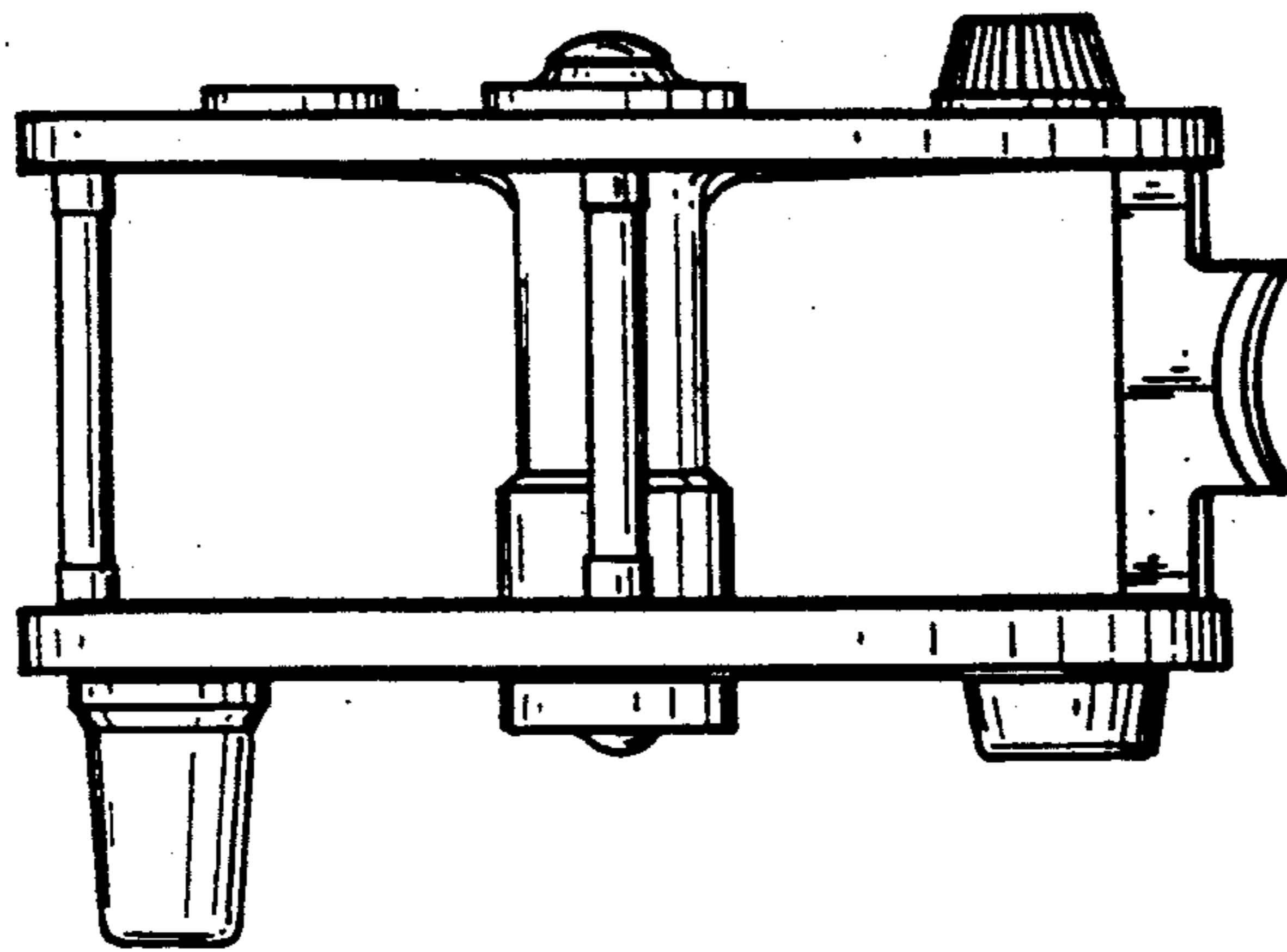


FIG-5

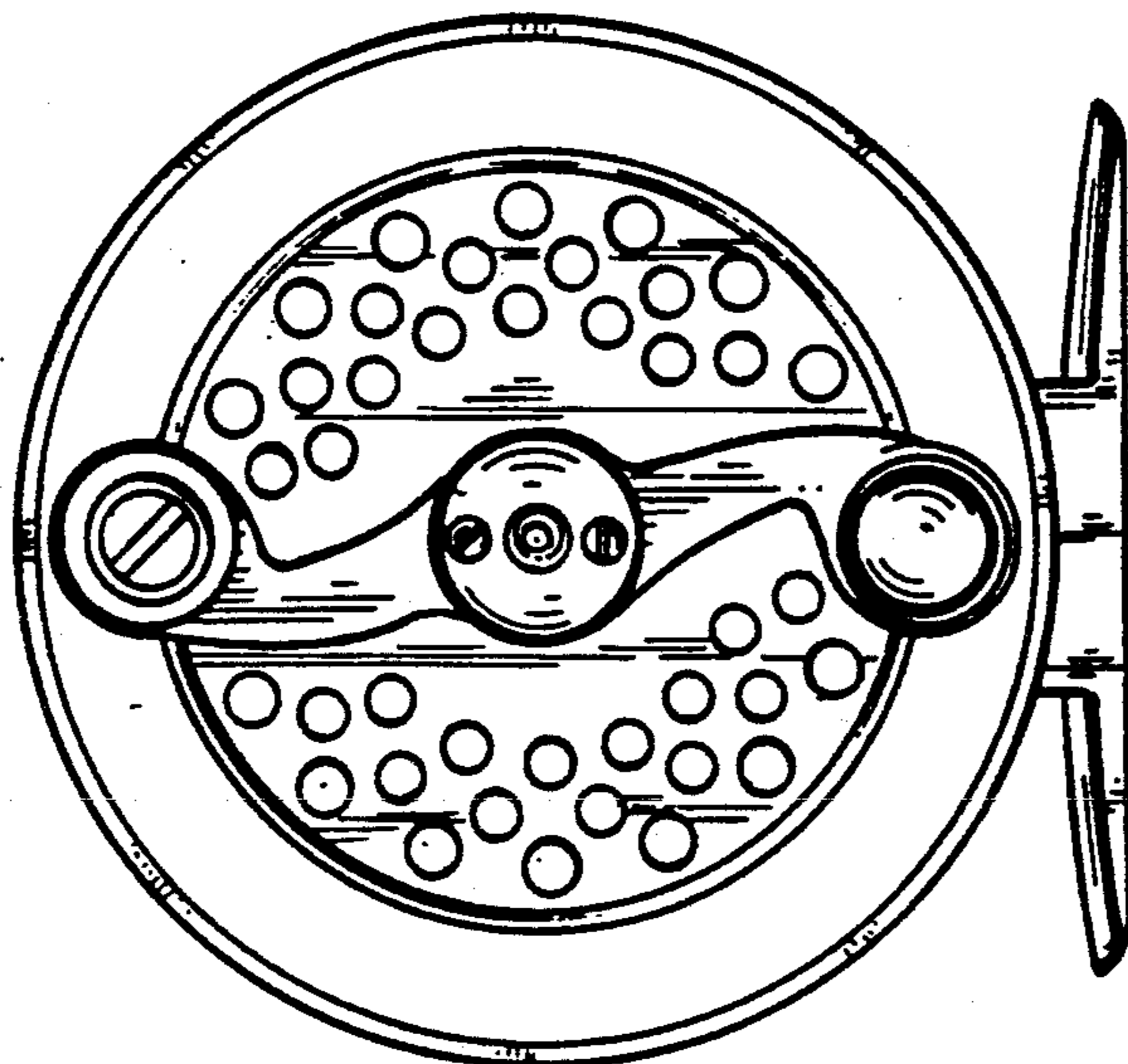


FIG-4