



US00D323199S

# United States Patent [19]

[11] Patent Number: **Des. 323,199**

Dalebout et al.

[45] Date of Patent: **\*\* Jan. 14, 1992**

## [54] TREADMILL EXERCISER

[75] Inventors: **William T. Dalebout; Kent Ashby,**  
both of Logan, Utah

[73] Assignee: **Proform Fitness Products, Inc.,**  
Logan, Utah

[\*\*] Term: **14 Years**

[21] Appl. No.: **473,205**

[22] Filed: **Jan. 31, 1990**

[52] U.S. Cl. .... **D21/192**

[58] Field of Search ..... **D21/191-197,**  
**D21/199; 272/69, DIG. 6; 119/29**

## [56] References Cited

### U.S. PATENT DOCUMENTS

|            |         |                      |         |
|------------|---------|----------------------|---------|
| D. 232,446 | 8/1974  | Townsend .....       | D21/192 |
| D. 280,002 | 8/1985  | Smith .              |         |
| D. 289,667 | 5/1987  | Danchulis .          |         |
| D. 302,837 | 8/1989  | Sherrard .....       | D21/192 |
| D. 318,699 | 7/1991  | Jacobson et al. .... | D21/192 |
| 3,731,917  | 5/1973  | Townsend .....       | D21/192 |
| 4,749,181  | 6/1988  | Pittaway et al. .... | 272/69  |
| 4,792,134  | 12/1988 | Chen .               |         |

## FOREIGN PATENT DOCUMENTS

1400538 7/1975 United Kingdom .

## OTHER PUBLICATIONS

Weslo brochure Trek 200, 1988.  
Weslo brochure Advance, 1986.  
Weslo brochure TL050 (Marathon), 1986.  
Proform brochure T70, 1988.  
Proform brochure T40, 1988.  
Proform brochure T50, 1987.

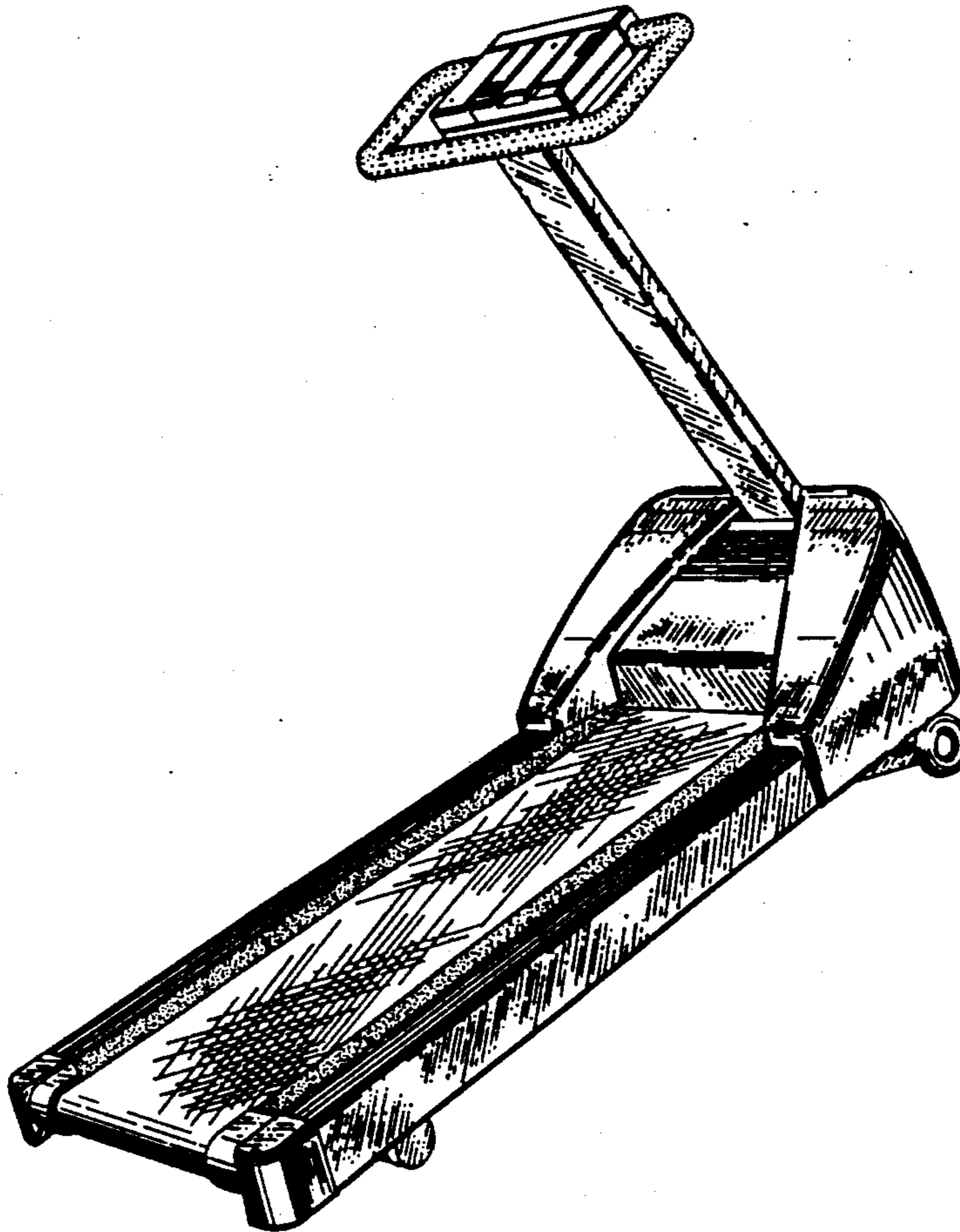
*Primary Examiner*—Charles A. Rademaker  
*Attorney, Agent, or Firm*—Trask, Britt & Rossa

## [57] CLAIM

The ornamental design for a treadmill exerciser, as shown and described.

## DESCRIPTION

FIG. 1 is a perspective view of a treadmill exerciser showing our new design;  
FIG. 2 is a front elevational view thereof;  
FIG. 3 is a rear elevational view thereof;  
FIG. 4 is a right side elevational view thereof;  
FIG. 5 is a top plan view thereof;  
FIG. 6 is a bottom plan view thereof; and  
FIG. 7 is a left side elevational view thereof.



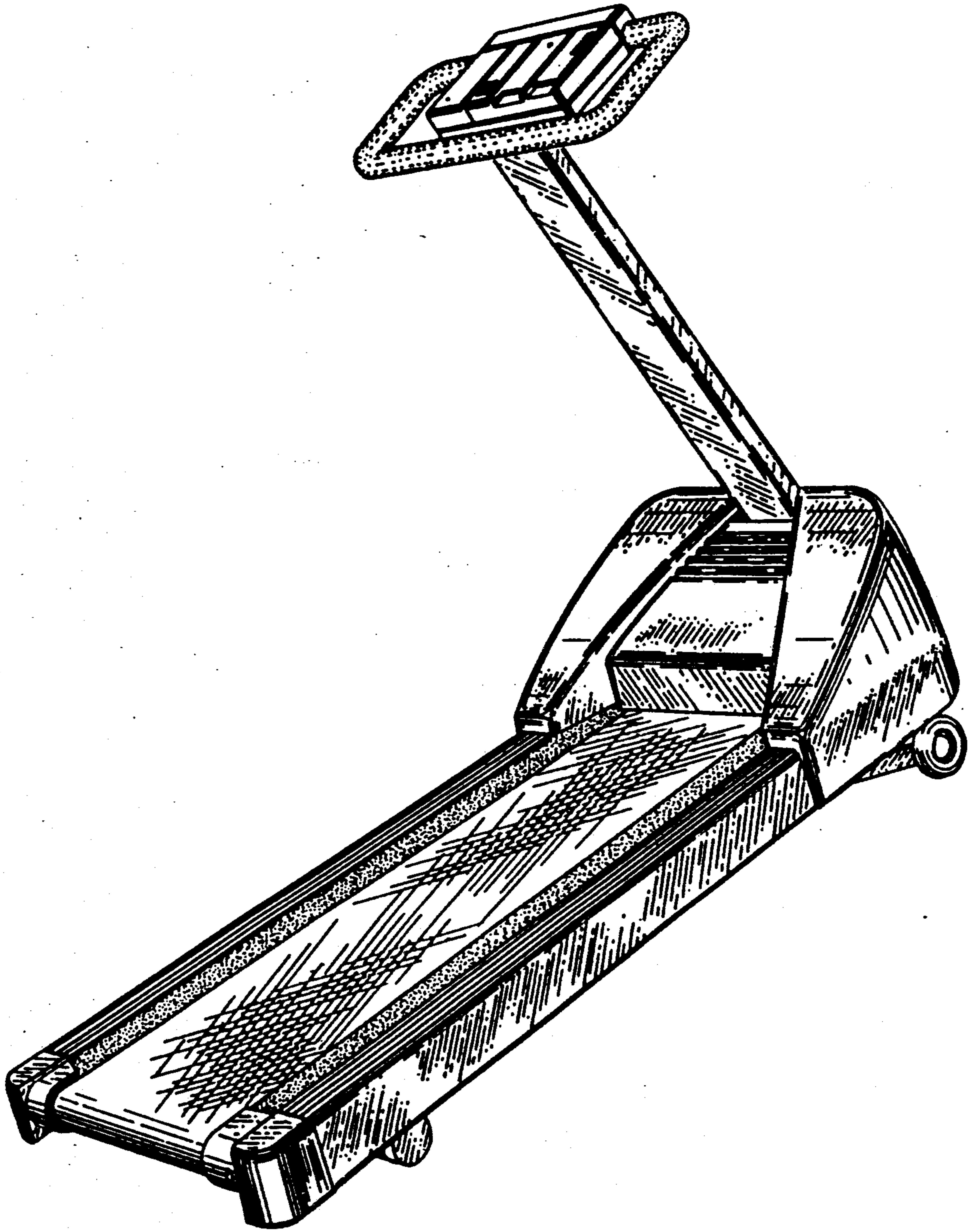


FIG. 1

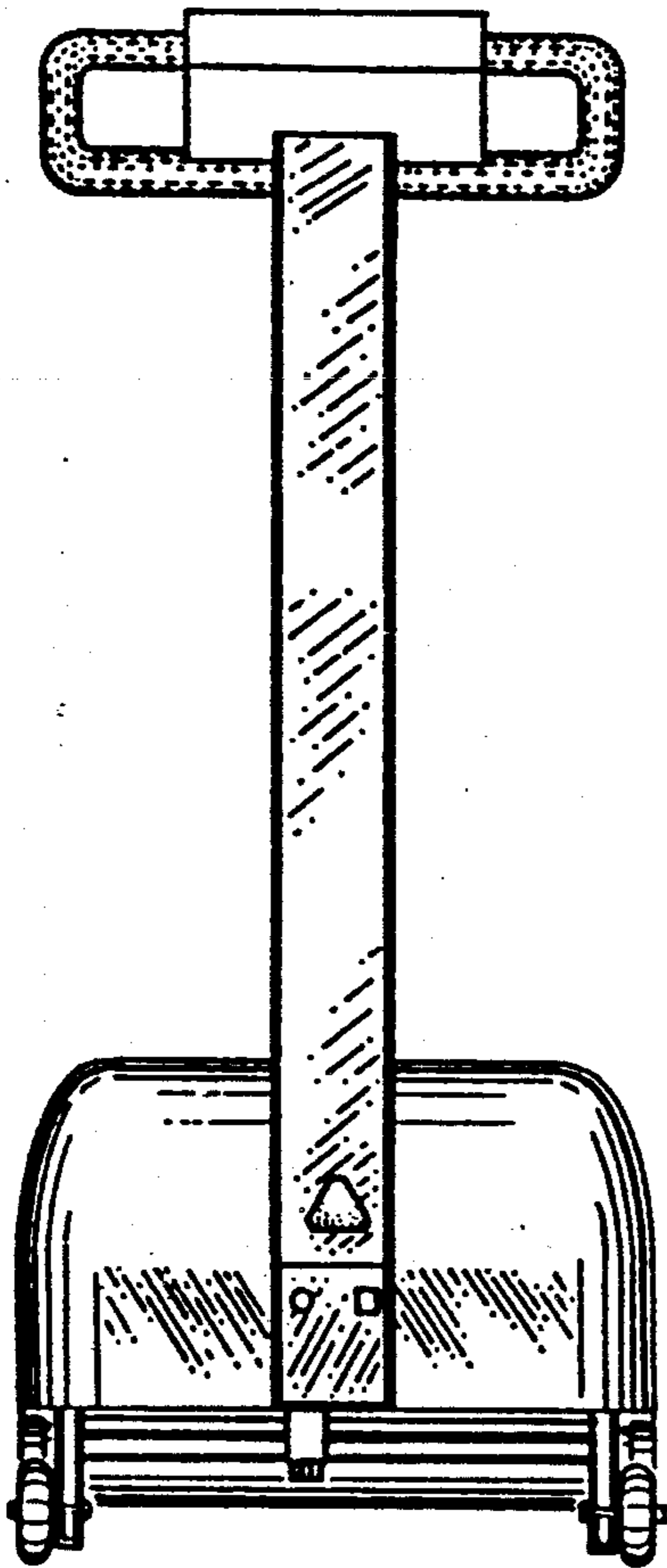


FIG. 2

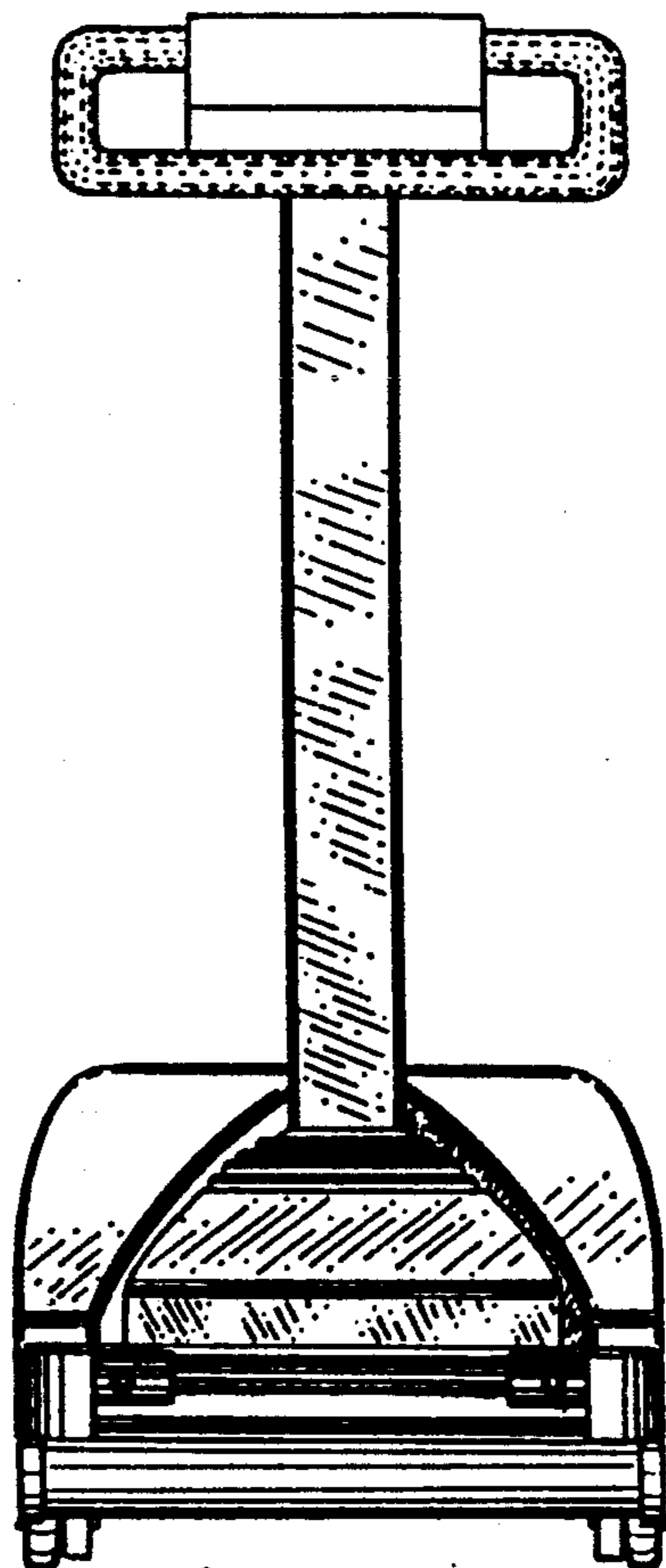


FIG. 3

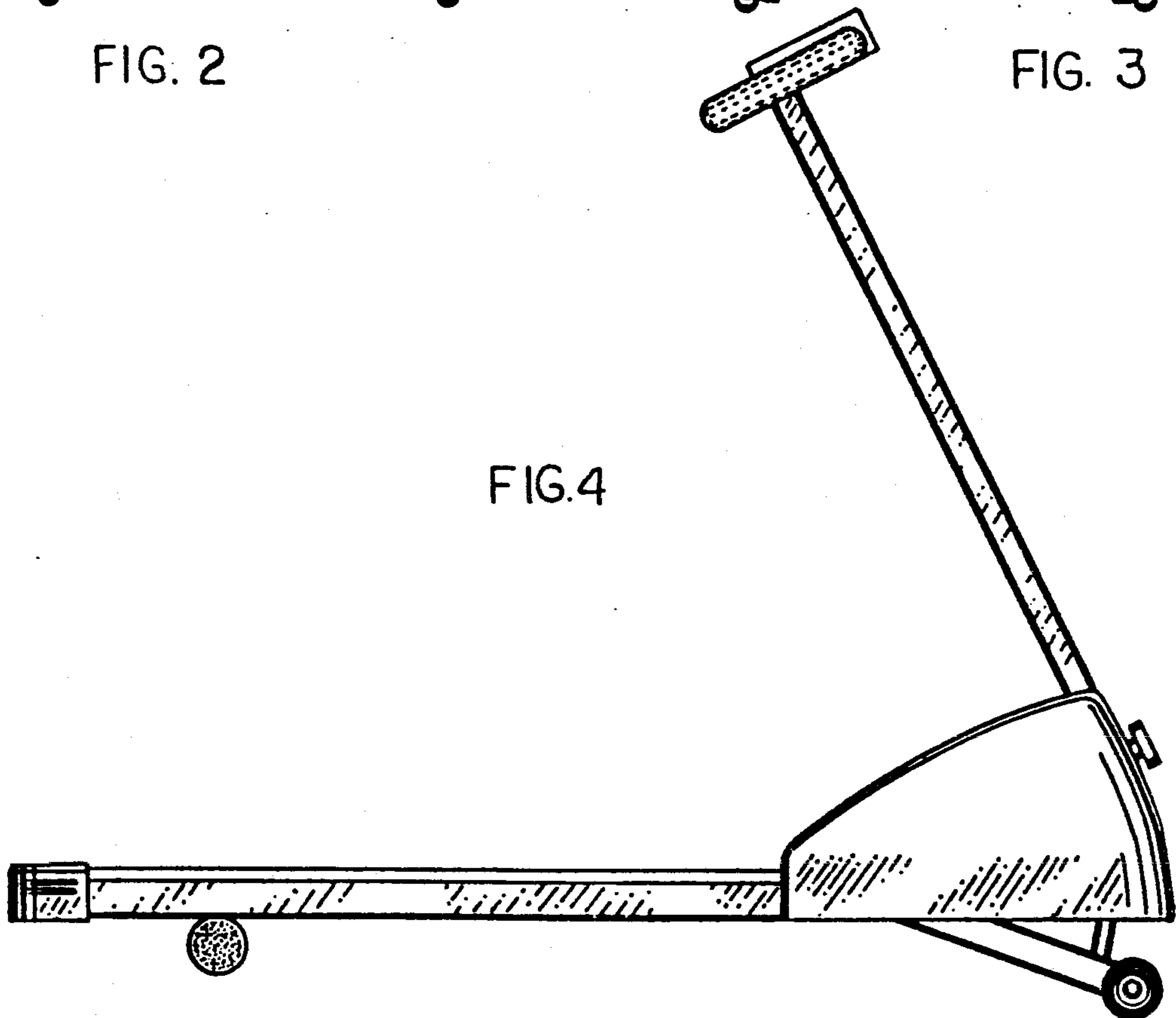


FIG. 4

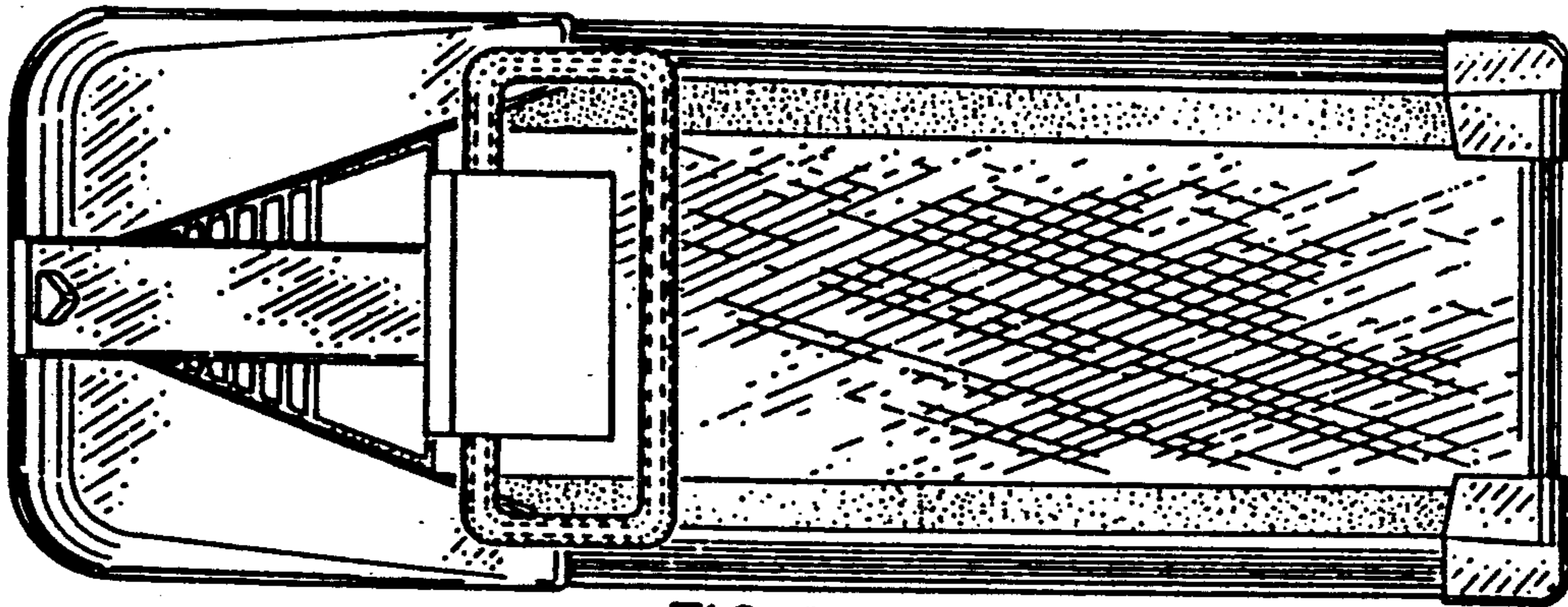


FIG. 5

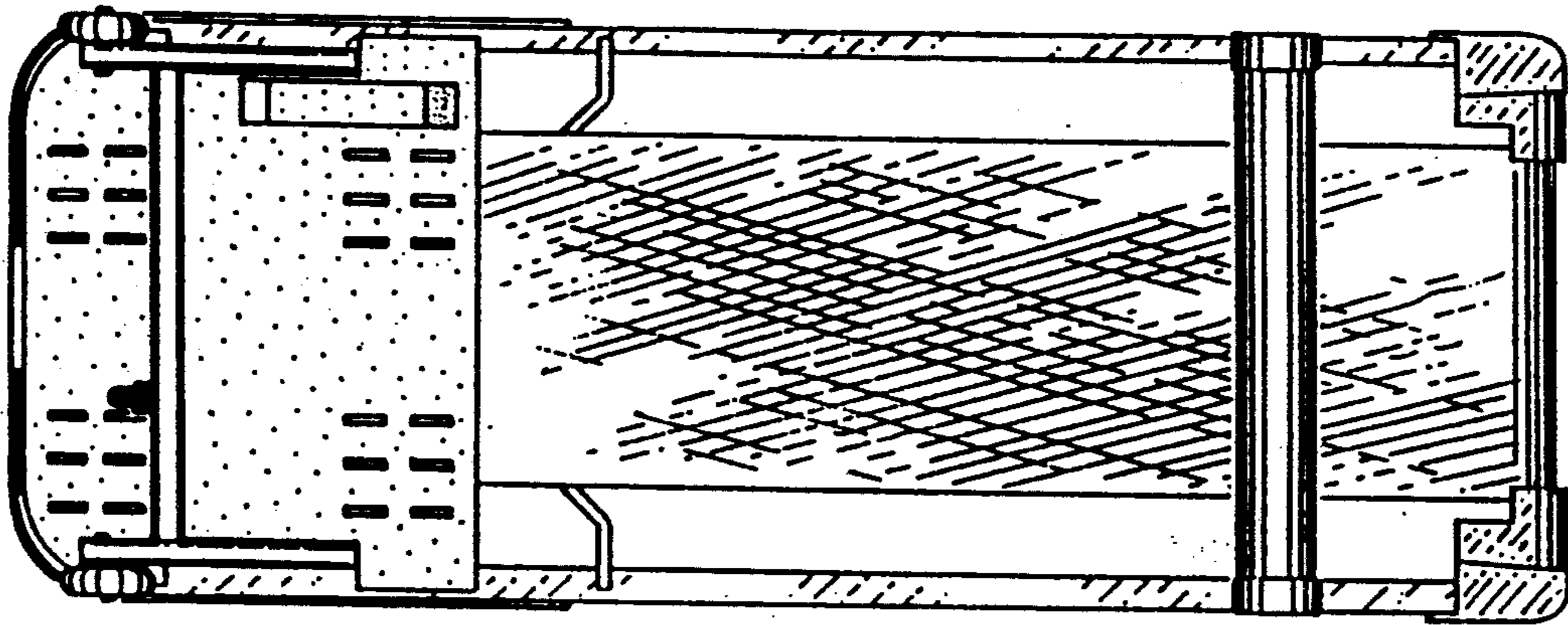


FIG. 6

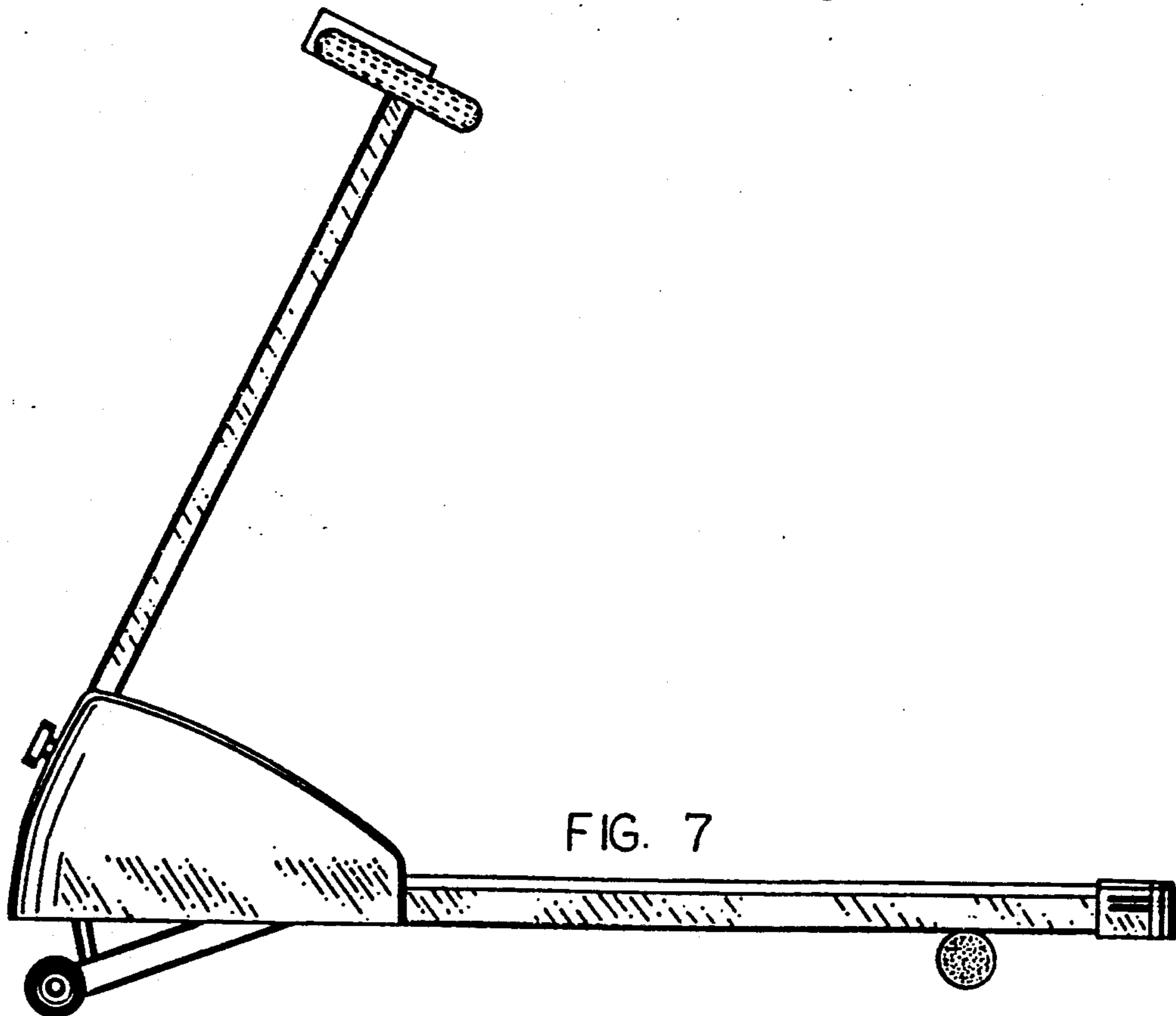


FIG. 7

UNITED STATES PATENT AND TRADEMARK OFFICE  
**CERTIFICATE OF CORRECTION**

**PATENT NO.** : Des. 323,199  
**DATED** : January 14, 1992  
**INVENTOR(S)** : William T. Dalebout, Kent Ashby

It is certified that error appears in the above-identified patent and that said Letters Patent is hereby corrected as shown below:

IN THE DRAWINGS:

Sheet 1, line 1, please delete "1991" and insert ---1992---.

Sheet 2, line 1, please delete "1991" and insert ---1992---.

Sheet, 3, line 1, please delete "1991" and insert ---1992---.

Signed and Sealed this  
First Day of June, 1993

Attest:



MICHAEL K. KIRK

Attesting Officer

Acting Commissioner of Patents and Trademarks