



US00D323198S

# United States Patent [19]

[11] Patent Number: **Des. 323,198**

Dalebout et al.

[45] Date of Patent: **\*\* Jan. 14, 1992**

[54] **TREADMILL EXERCISER**

4,643,418 2/1987 Bart .

[75] Inventors: **William T. Dalebout; Kent Ashby,**  
both of Logan, Utah

4,749,181 6/1988 Pittaway et al. .... 272/69

5,007,630 4/1991 Real et al. .... 272/69

[73] Assignee: **Proform Fitness Products, Inc.,**  
Logan, Utah

### OTHER PUBLICATIONS

Proform Brochure T50II, 1988.

Proform Brochure T60, 1988.

Weslo Brochure Relay 880.

[\*\*] Term: **14 Years**

*Primary Examiner*—Charles A. Rademaker

*Attorney, Agent, or Firm*—Trask, Britt & Rossa

[21] Appl. No.: **473,195**

[22] Filed: **Jan. 31, 1990**

[52] U.S. Cl. .... **D21/192**

[58] Field of Search ..... **D21/191.7, 199; 272/69,**  
**272/DIG. 6; 119/29**

### [57] CLAIM

The ornamental design for a treadmill exerciser, as shown and described.

### [56] References Cited

### DESCRIPTION

#### U.S. PATENT DOCUMENTS

|            |         |                  |       |         |
|------------|---------|------------------|-------|---------|
| D. 232,446 | 8/1974  | Townsend         | ..... | D21/192 |
| D. 302,837 | 8/1989  | Sherrard         | ..... | D21/192 |
| D. 303,414 | 9/1989  | Armstrong et al. | ..... | D21/192 |
| D. 313,826 | 1/1991  | Birrell et al.   | ..... | D21/192 |
| D. 316,124 | 4/1991  | Dalebout et al.  | ..... | D21/192 |
| 3,703,284  | 11/1972 | Hesen            | ..... | 272/69  |
| 4,344,616  | 8/1982  | Ogden            | ..... |         |

FIG. 1 is a perspective view of a treadmill exerciser showing our new design;

FIG. 2 is a front elevational view thereof;

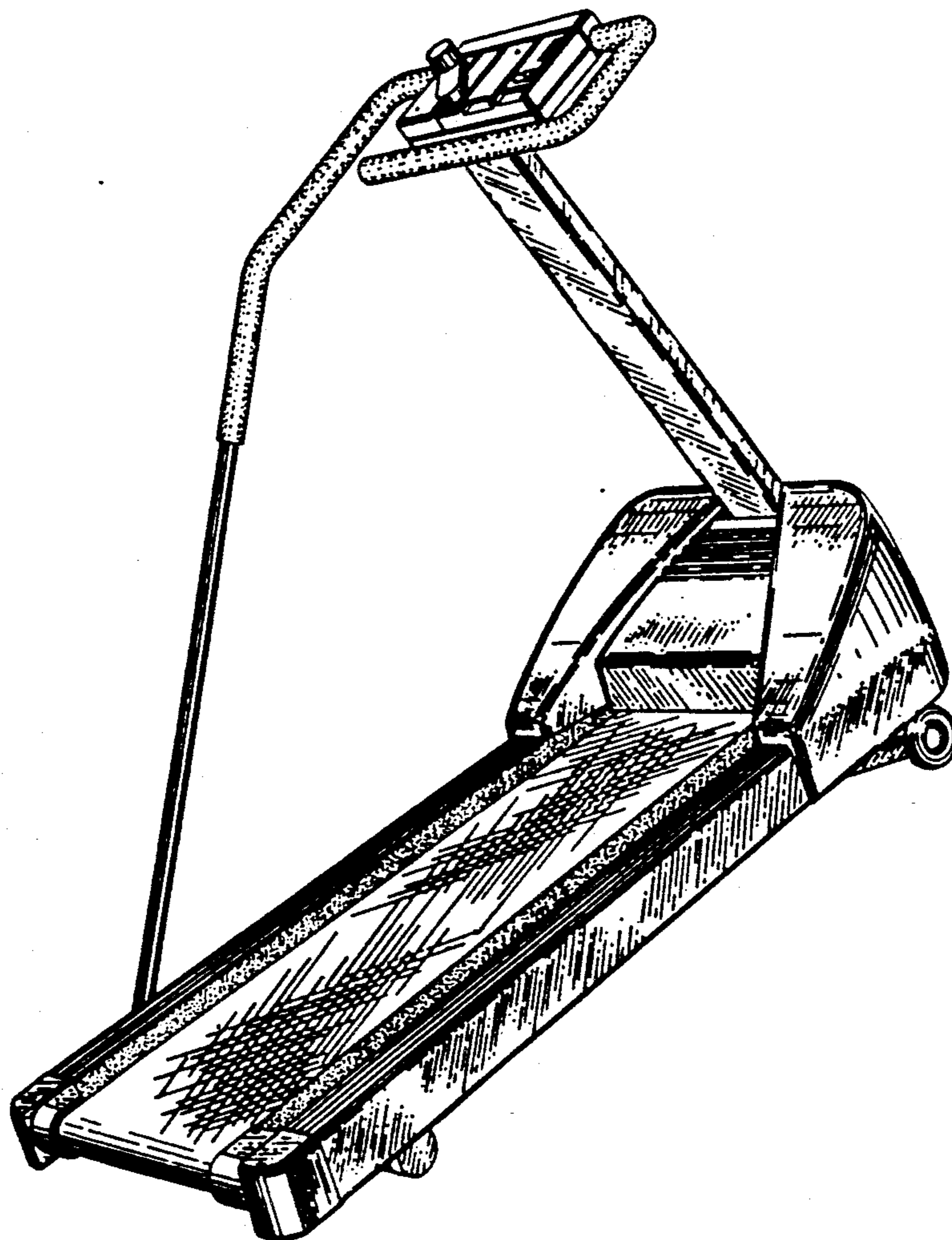
FIG. 3 is a rear elevational view thereof;

FIG. 4 is a right side elevational view thereof;

FIG. 5 is a top plan view thereof;

FIG. 6 is a bottom plan view thereof; and

FIG. 7 is a left side elevational view thereof.



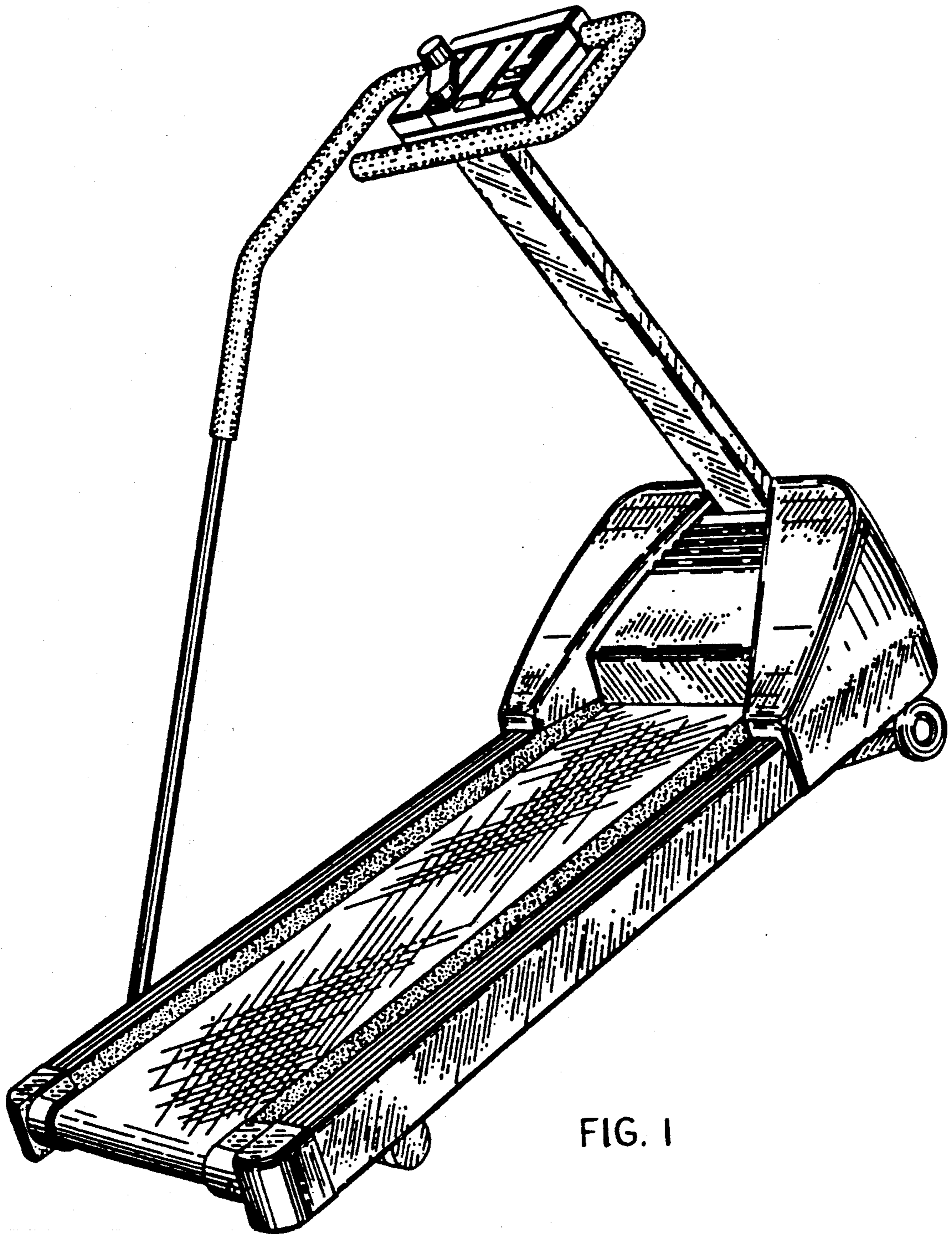


FIG. 1

FIG. 2

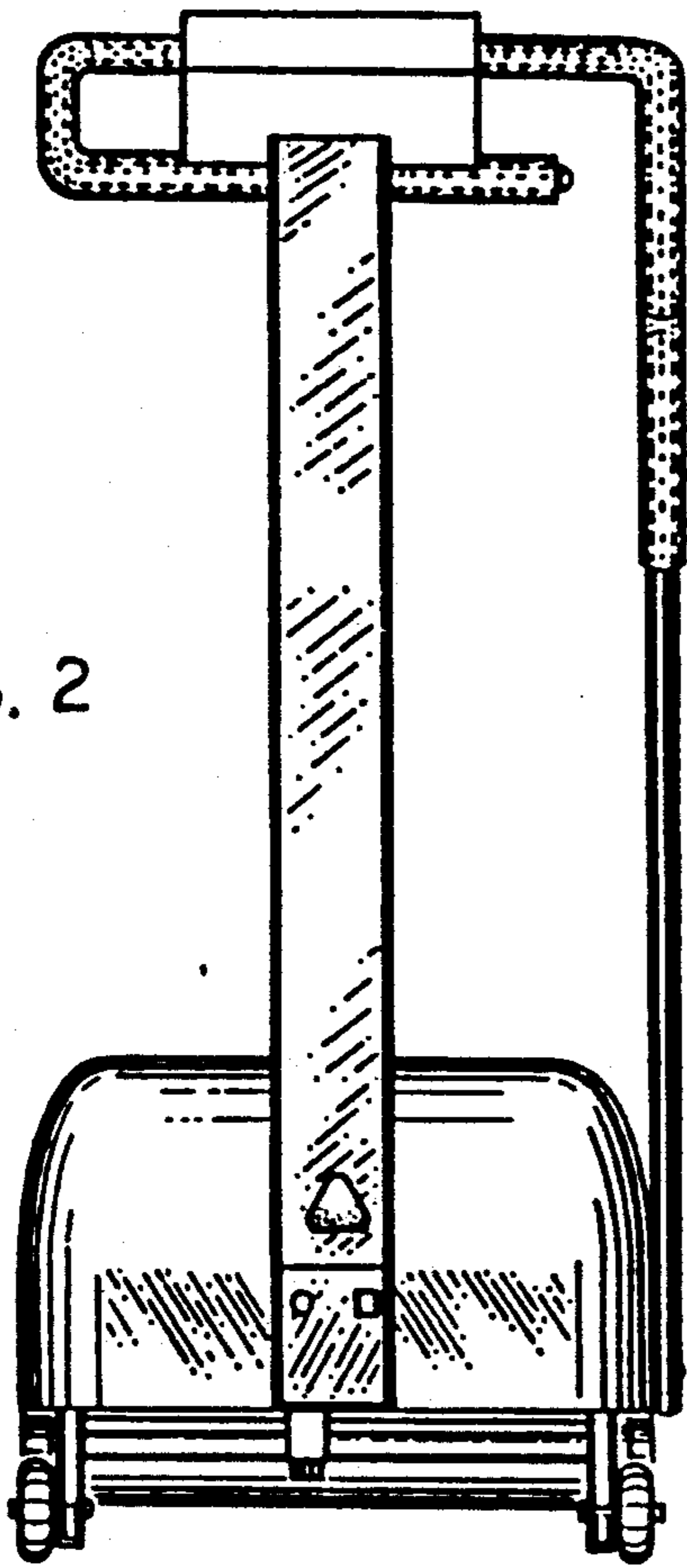


FIG. 3

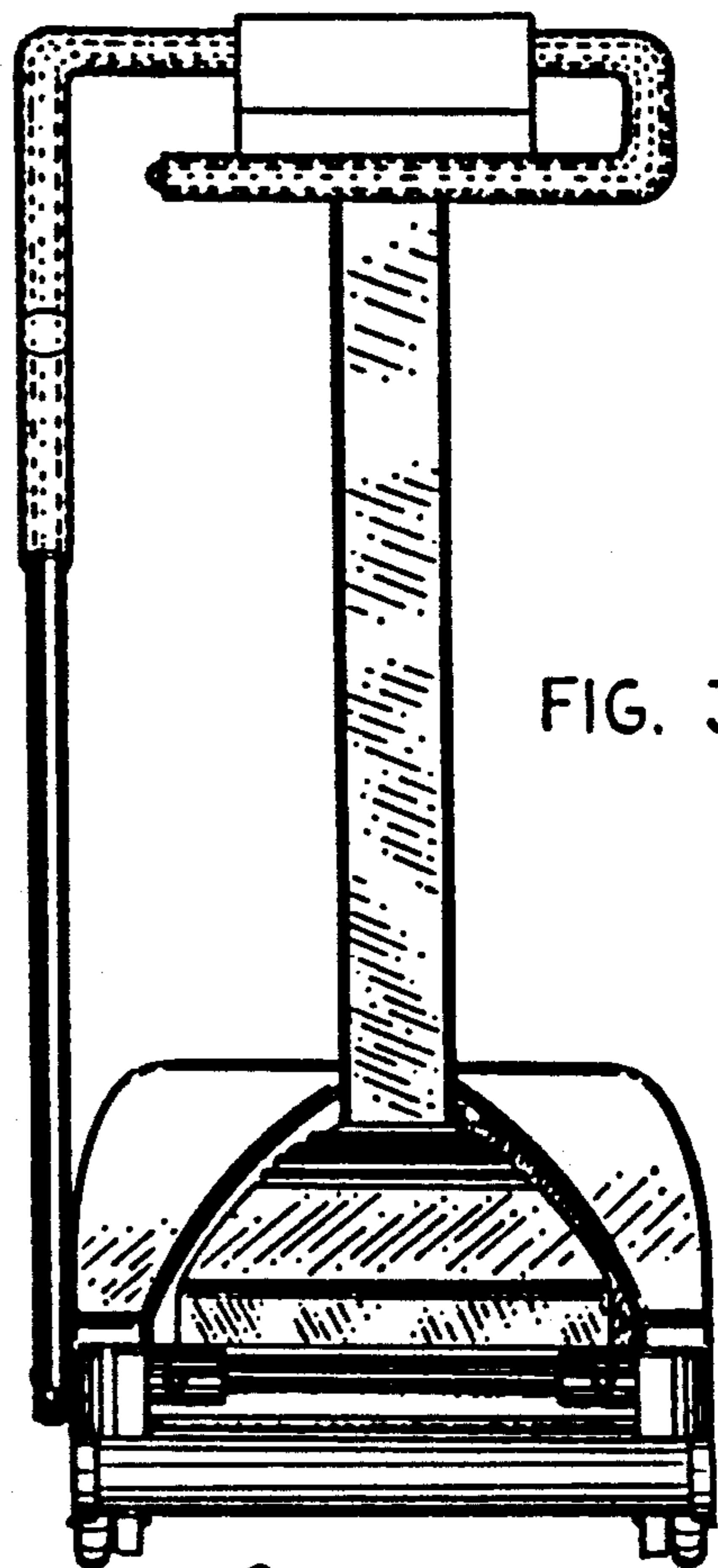
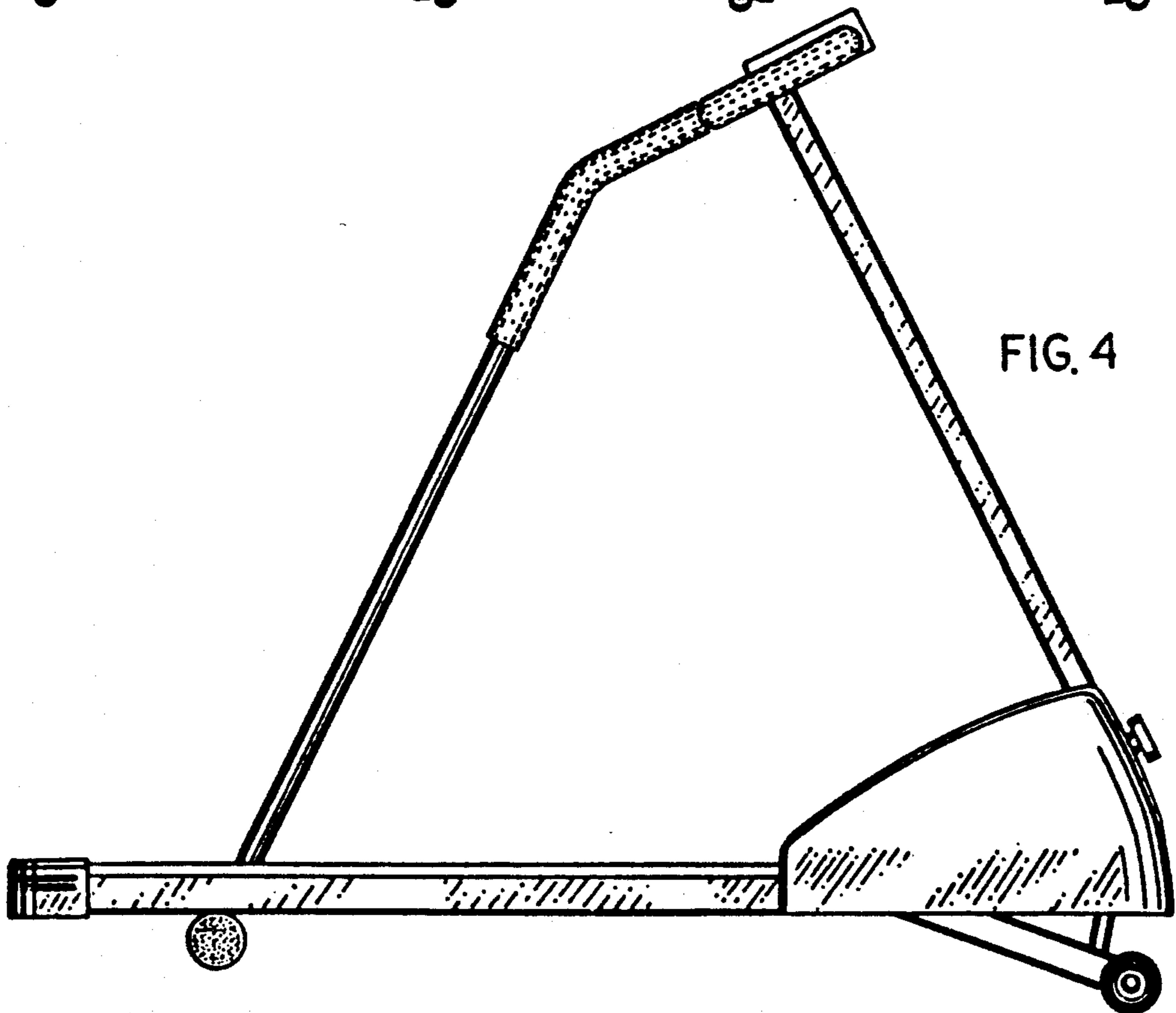


FIG. 4



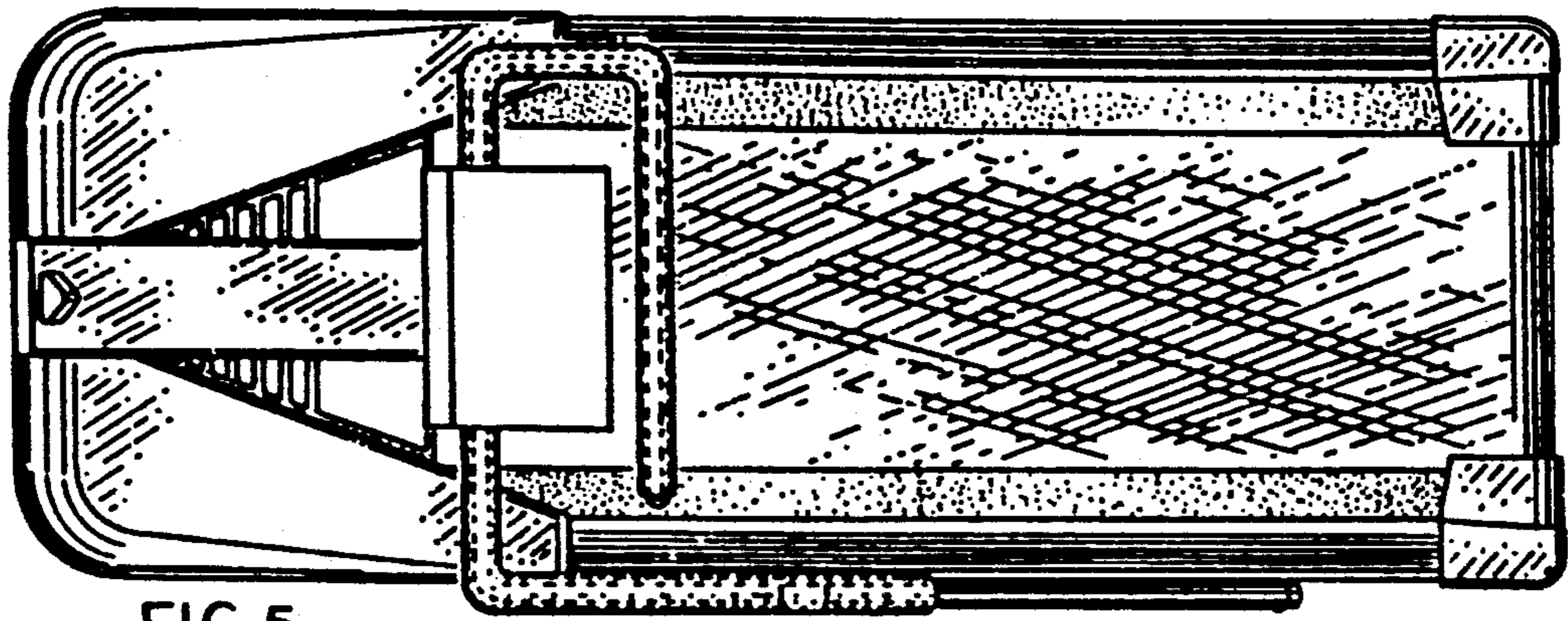


FIG. 5

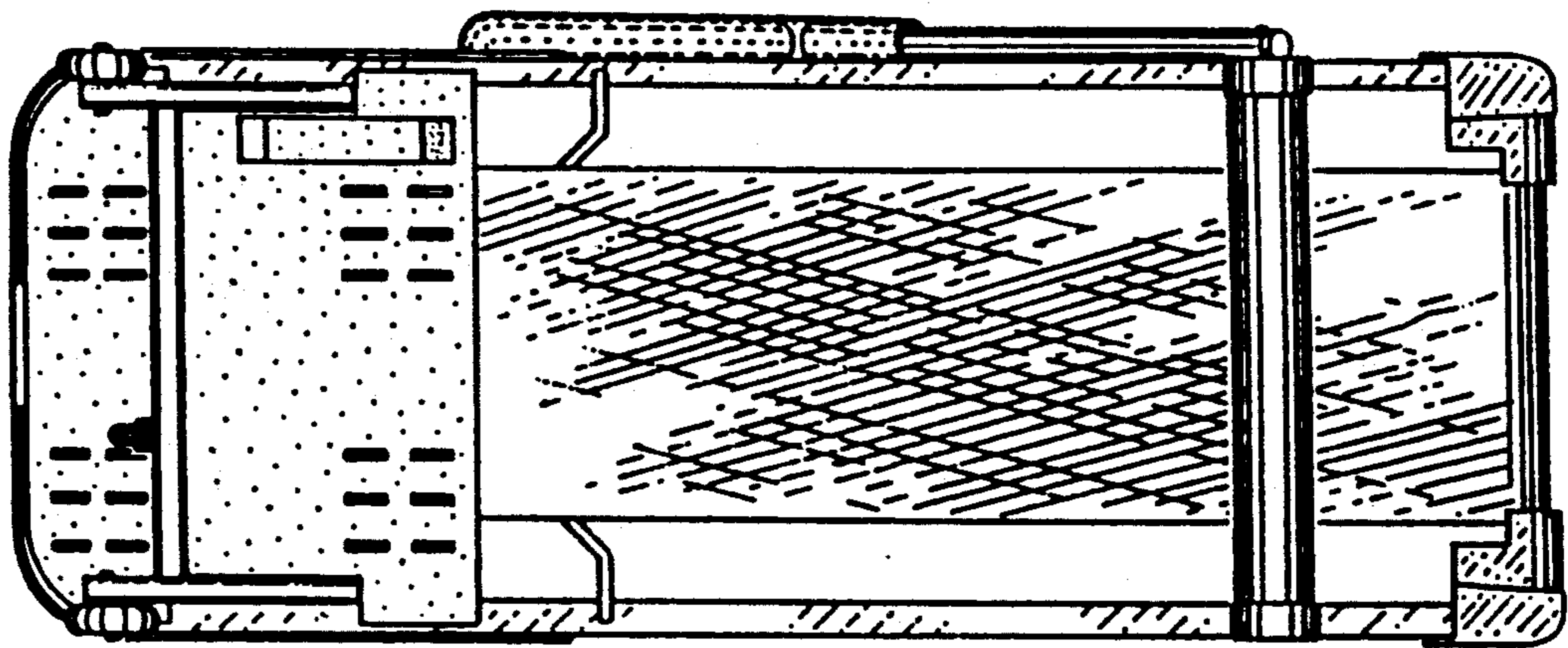


FIG. 6

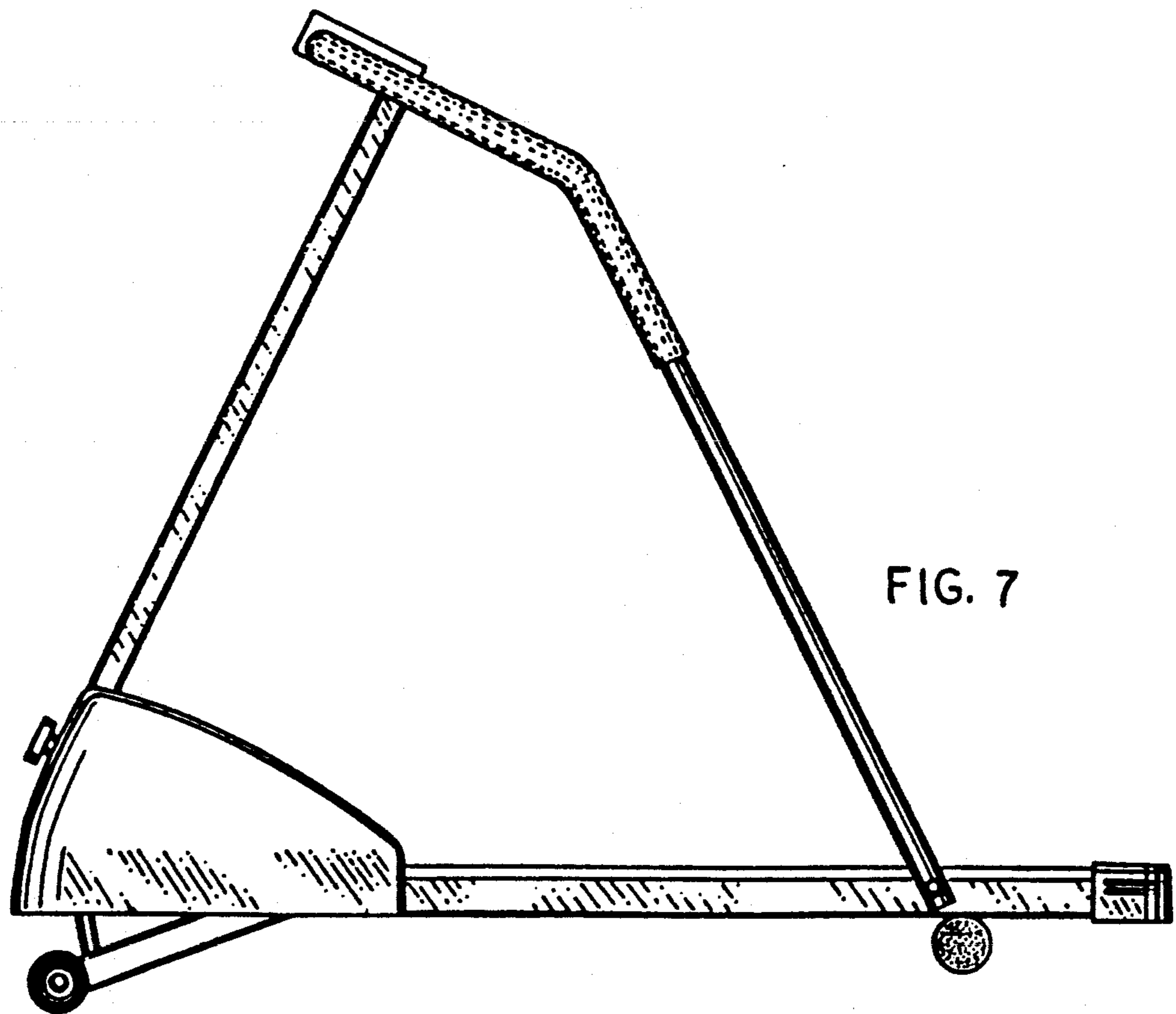


FIG. 7

UNITED STATES PATENT AND TRADEMARK OFFICE  
**CERTIFICATE OF CORRECTION**

**PATENT NO.** : Des. 323,198

**DATED** : January 14, 1992

**INVENTOR(S)** : William T. Dalebout, Kent Ashby

**It is certified that error appears in the above-identified patent and that said Letters Patent is hereby corrected as shown below:**

In the Drawings:

Sheet 1, line 1, please delete "1991" and insert ---1992---.

Sheet 2, line 1, please delete "1991" and insert ---1992---.

Sheet 3, line 1, please delete "1991" and insert ---1992---.

Signed and Sealed this  
First Day of June, 1993

Attest:



MICHAEL K. KIRK

Attesting Officer

Acting Commissioner of Patents and Trademarks