



US00D323194S

# United States Patent [19]

Conti et al.

[11] Patent Number: **Des. 323,194**

[45] Date of Patent: **\*\* Jan. 14, 1992**

[54] **PLAYGROUND TOY OR THE LIKE**

[75] Inventors: **Rino Conti**, Stoughton, Mass.;  
**Lawrence O. Freese**, Bristol, R.I.;  
**Douglas M. Laib**, Blackstone, Mass.;  
**Dominick Loscalzo**, Whitestone;  
**Bruce M. Scott**, Fort Salonga, both  
of N.Y.

[73] Assignee: **Dart Industries Inc.**, Deerfield, Ill.

[\*\*] Term: **14 Years**

[21] Appl. No.: **388,551**

[22] Filed: **Aug. 1, 1989**

[52] U.S. Cl. .... **D21/114; D21/242**

[58] Field of Search ..... **D21/59, 114-119,  
D21/242, 109, 476; 446/479, 71-73, 82**

[56] **References Cited**

### U.S. PATENT DOCUMENTS

D. 271,037 10/1983 Gordon ..... D21/244  
D. 295,650 5/1988 Argandona ..... D21/242  
D. 314,214 1/1991 Newman ..... D21/243

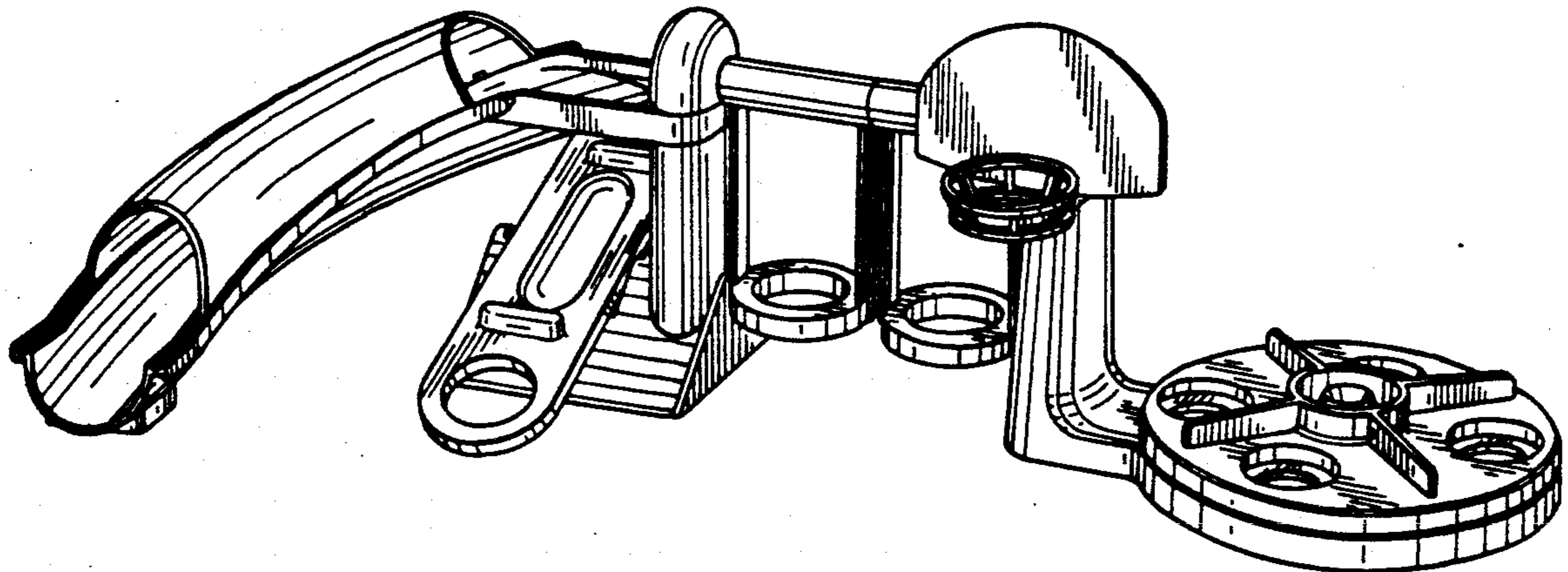
*Primary Examiner*—Charles A. Rademaker  
*Attorney, Agent, or Firm*—John A. Doninger

[57] **CLAIM**

The ornamental design for a playground toy or the like,  
as shown.

### DESCRIPTION

FIG. 1 is a top perspective view of a toy playground or  
the like showing our new design;  
FIG. 2 is a top plan view thereof;  
FIG. 3 is a bottom plan view thereof;  
FIG. 4 is a front elevational view thereof;  
FIG. 5 is a rear elevational view thereof;  
FIG. 6 is a left side elevational view thereof; and  
FIG. 7 is a right side elevational view thereof.



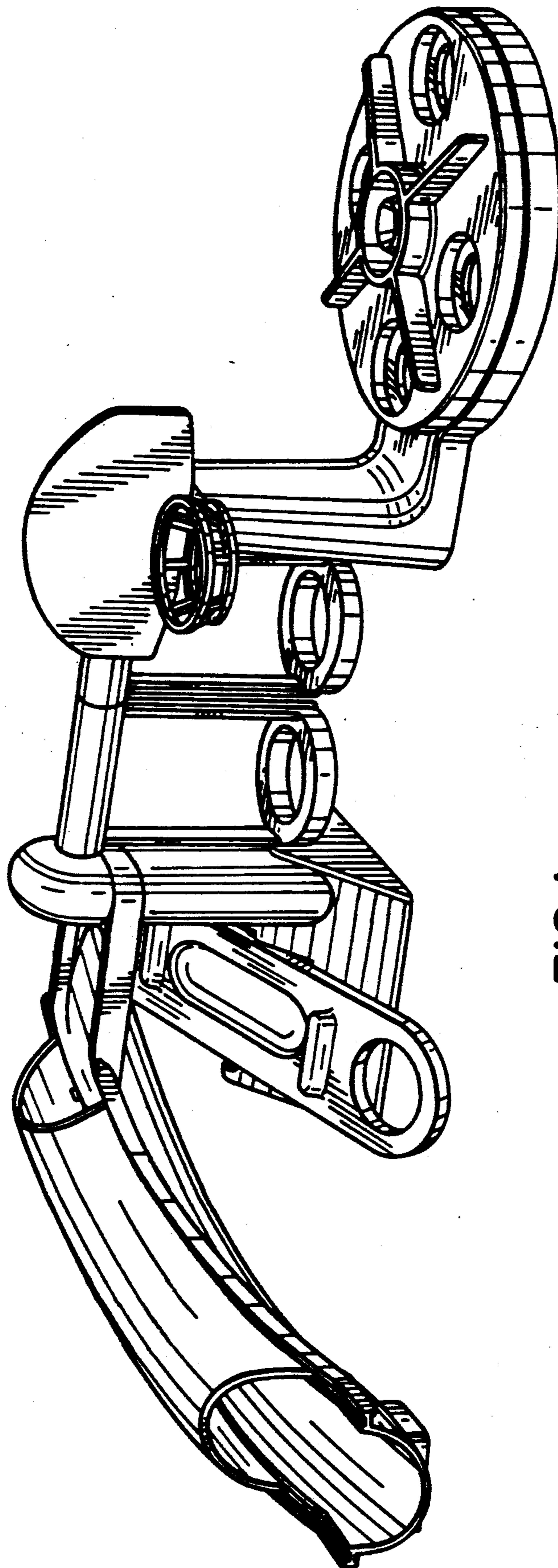


FIG. 1

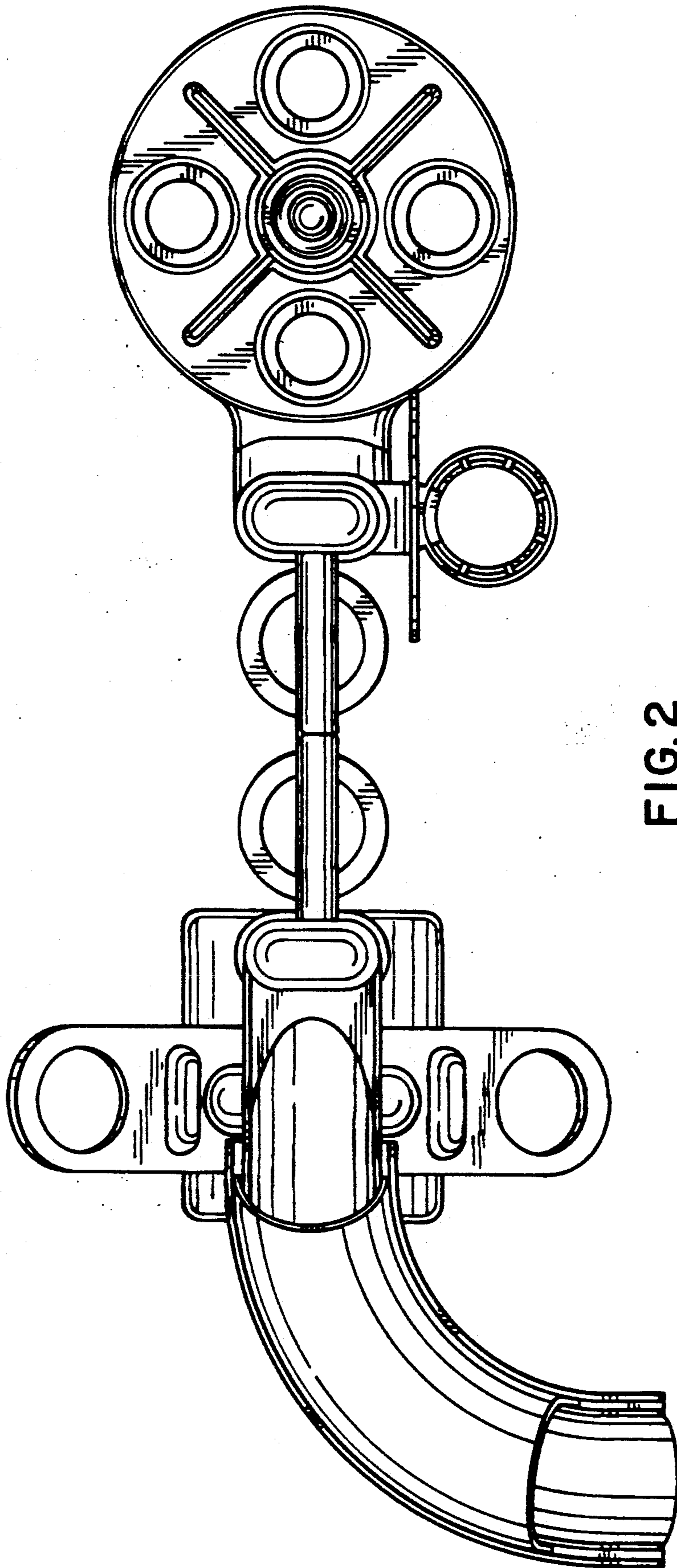


FIG. 2



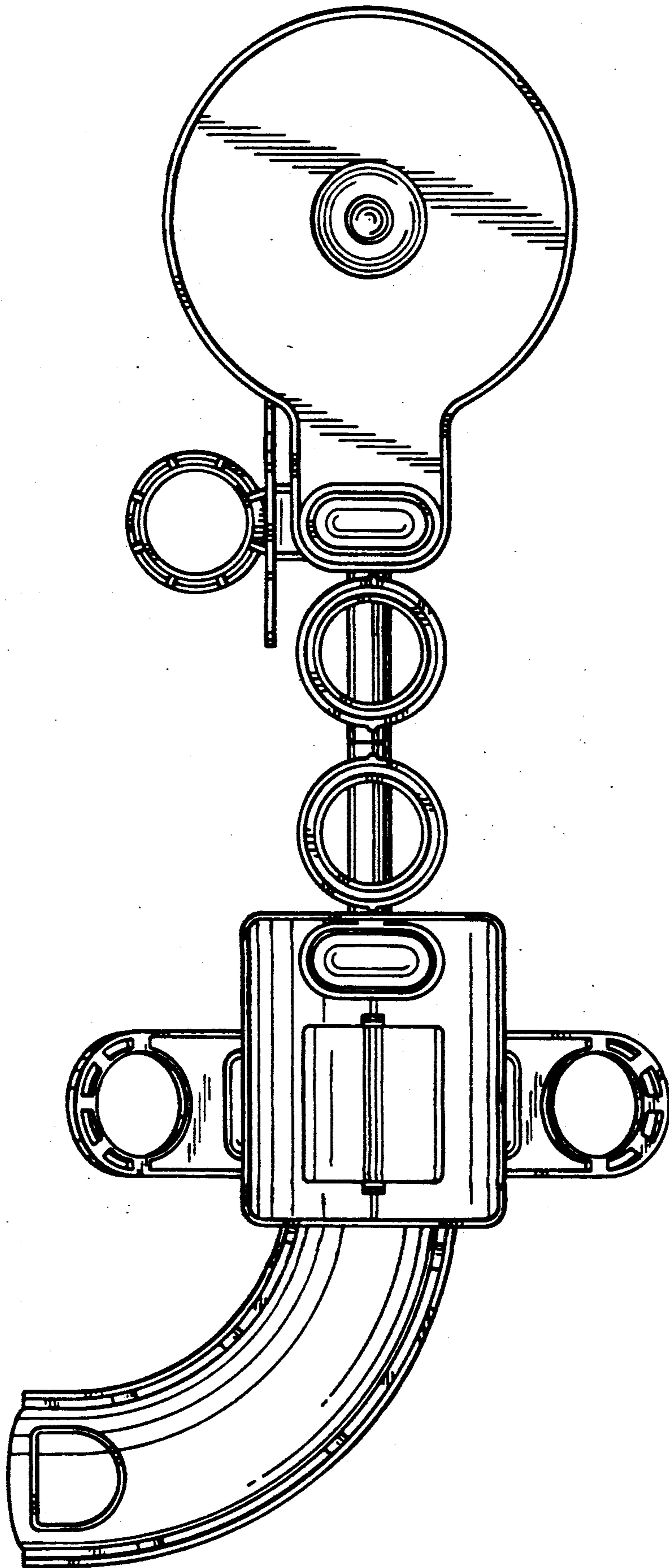
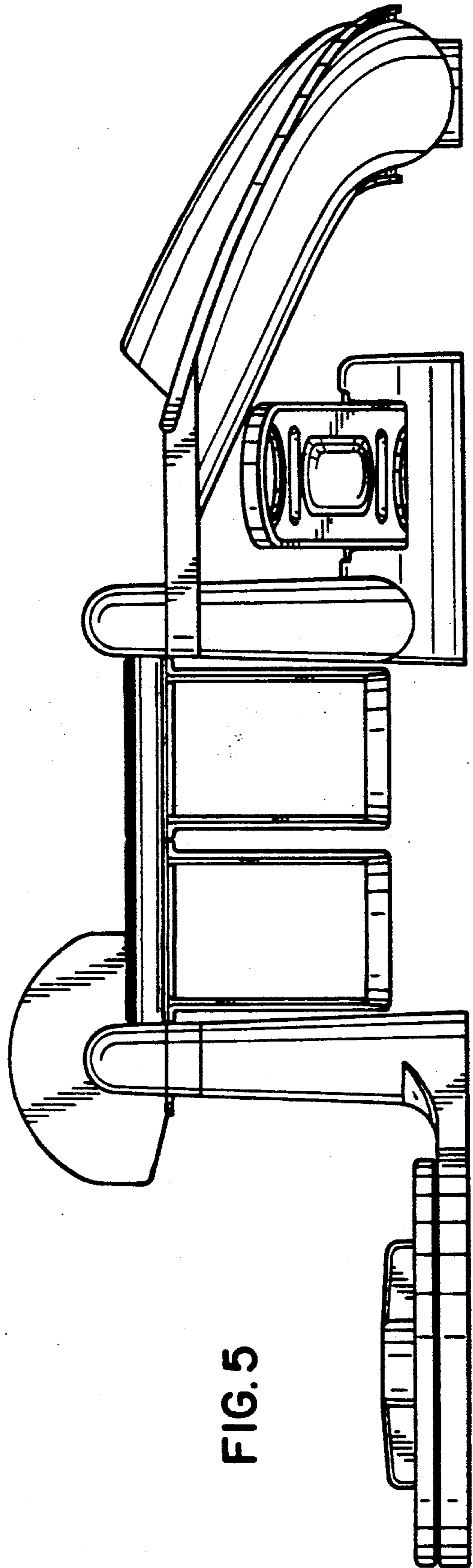
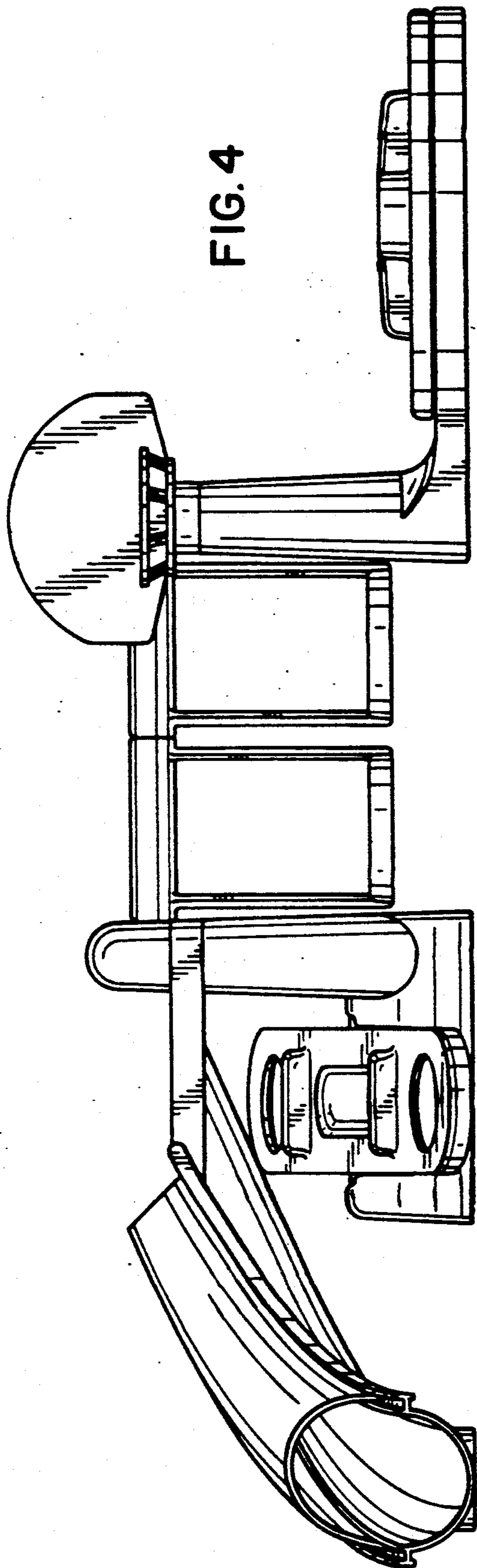


FIG. 3



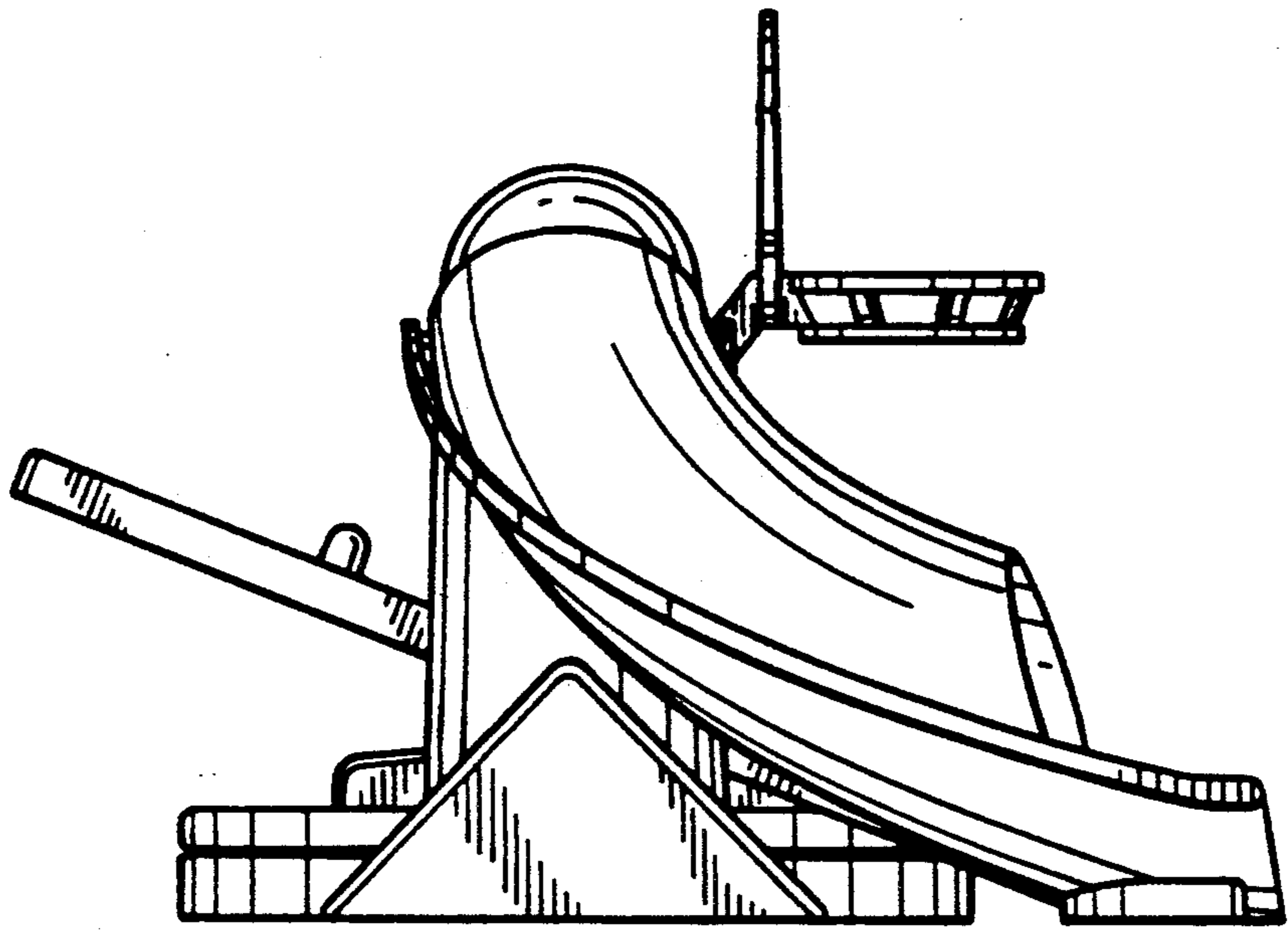


FIG. 6

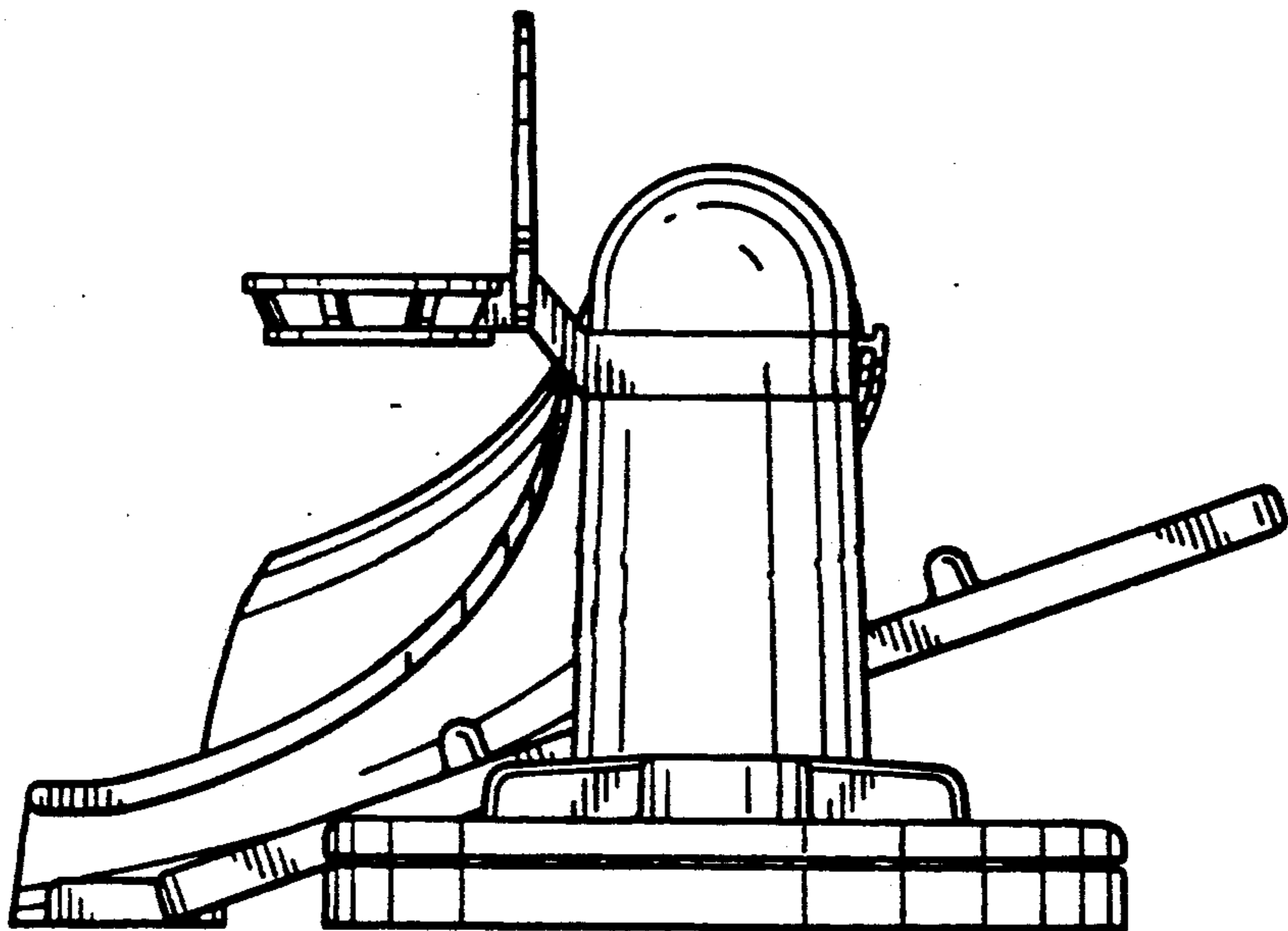


FIG. 7