



US00D323190S

United States Patent [19]

Evenson

[11] **Patent Number: Des. 323,190**

[45] **Date of Patent: ** Jan. 14, 1992**

[54] **VERTICAL FILE**

[75] **Inventor: Mel Evenson, San Pedro, Calif.**

[73] **Assignee: Eldon Industries, Inc., Inglewood, Calif.**

[**] **Term: 14 Years**

[21] **Appl. No.: 426,071**

[22] **Filed: Oct. 24, 1989**

[52] **U.S. Cl. D19/90; D19/86; D19/95**

[58] **Field of Search D19/52, 65, 75, 78, D19/86, 90, 91, 95, 99, 100; 211/10, 11, 45, 50, 55, 184**

[56] **References Cited**

U.S. PATENT DOCUMENTS

- D. 115,677 7/1939 Ullmo D19/52 X
- D. 155,010 8/1949 Kaplan et al. D19/90
- D. 182,443 4/1958 Sherman D19/90

- D. 231,137 4/1974 Juhlin D19/90
- D. 258,511 3/1981 Ashton D19/90
- D. 306,040 2/1990 Evenson D19/90
- D. 310,767 9/1990 Minuti D19/90 X
- D. 313,047 12/1990 Evenson D19/90 X
- D. 313,546 1/1991 Beirise et al. D19/86 X

Primary Examiner—Bruce W. Dunkins

Assistant Examiner—Martha Thompson

[57] **CLAIM**

The ornamental design for a vertical file, as shown and described.

DESCRIPTION

FIG. 1 is a right side elevational view of a vertical file showing my new design, the left side elevational view being a mirror image thereof;

FIG. 2 is a front elevational view, the rear elevational view being a mirror image thereof;

FIG. 3 is a top plan view thereof;

FIG. 4 is a bottom plan view thereof; and

FIG. 5 is a top, right front perspective view thereof.

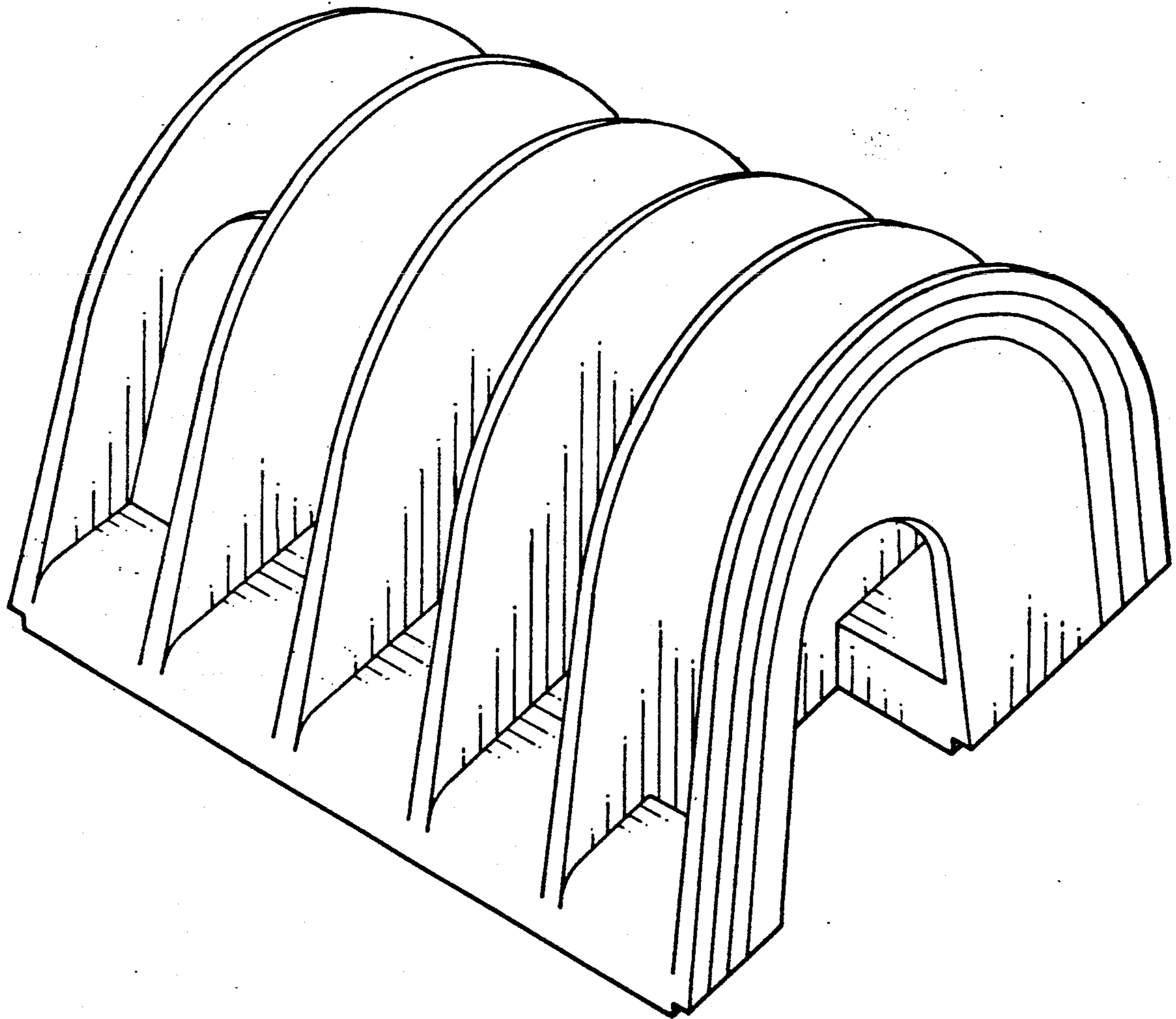


FIG 1

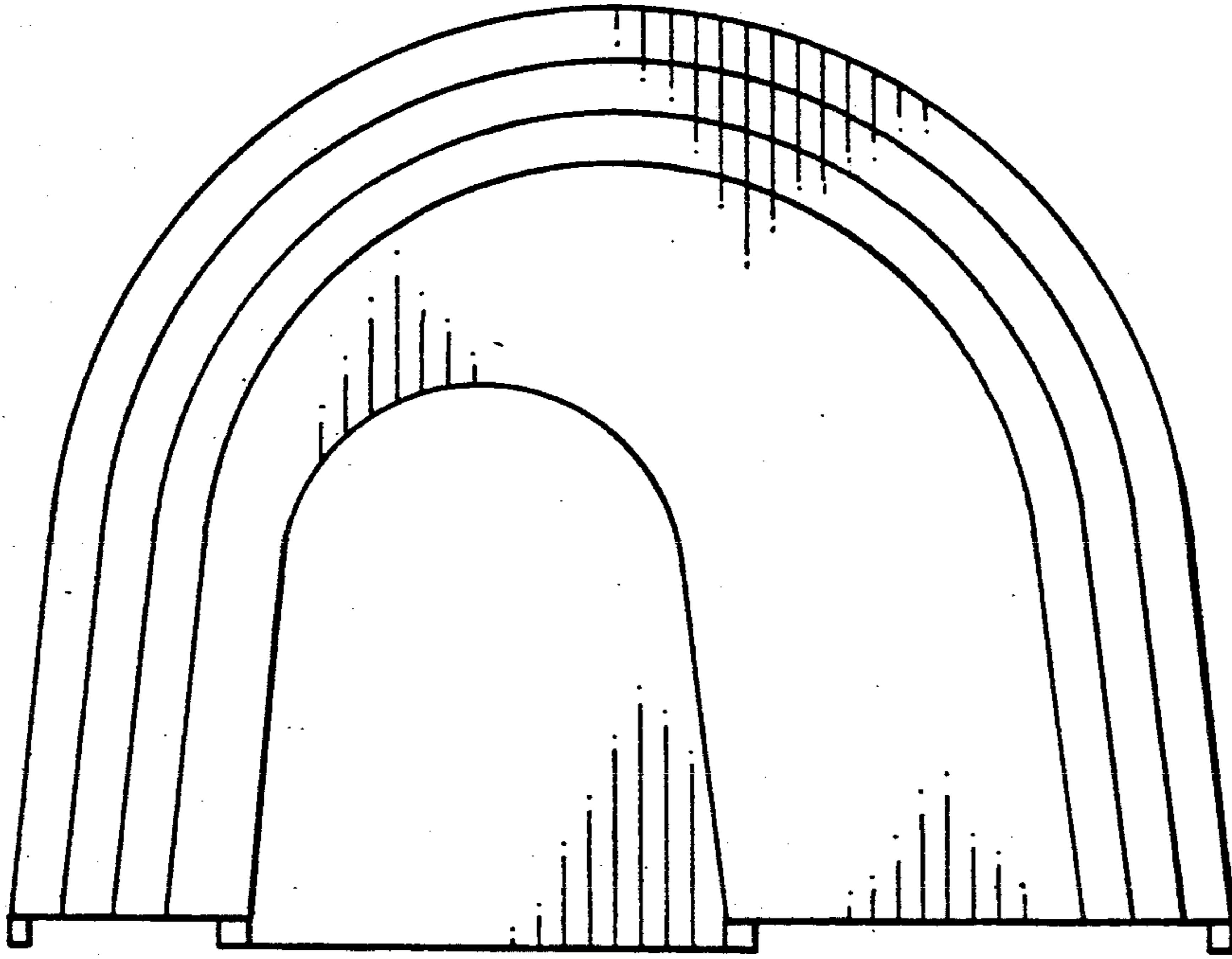


FIG 2

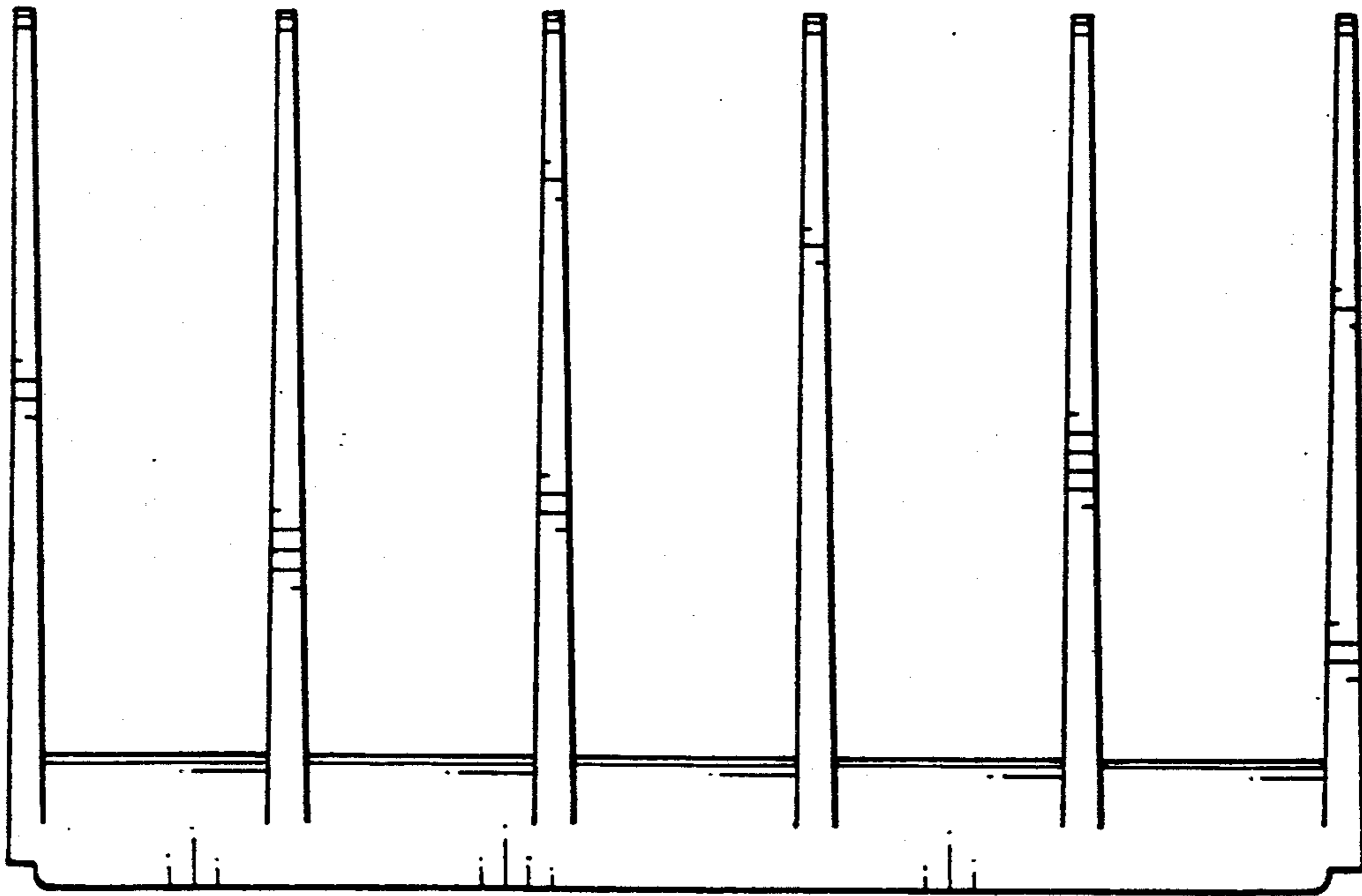


FIG 3

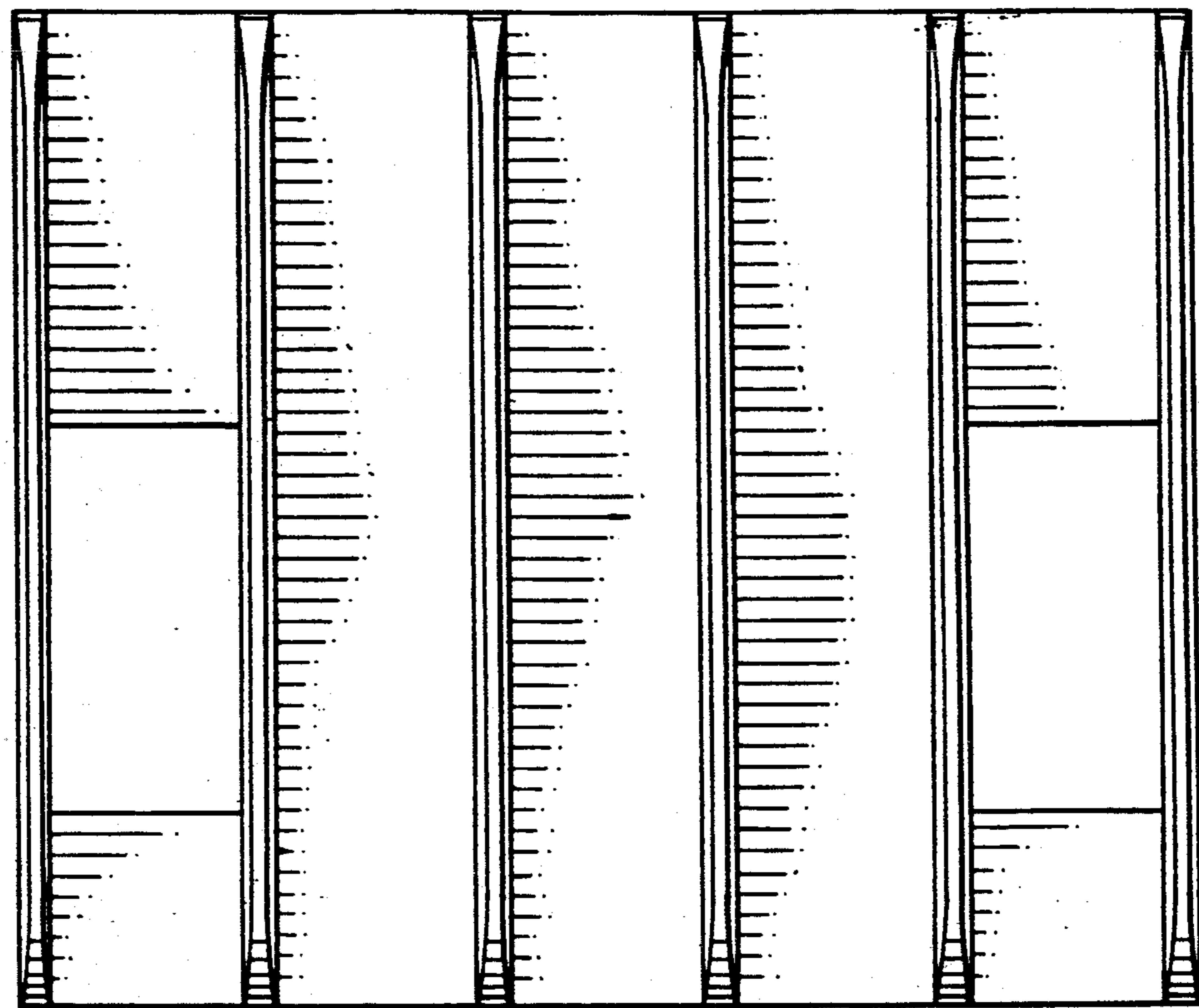


FIG 4

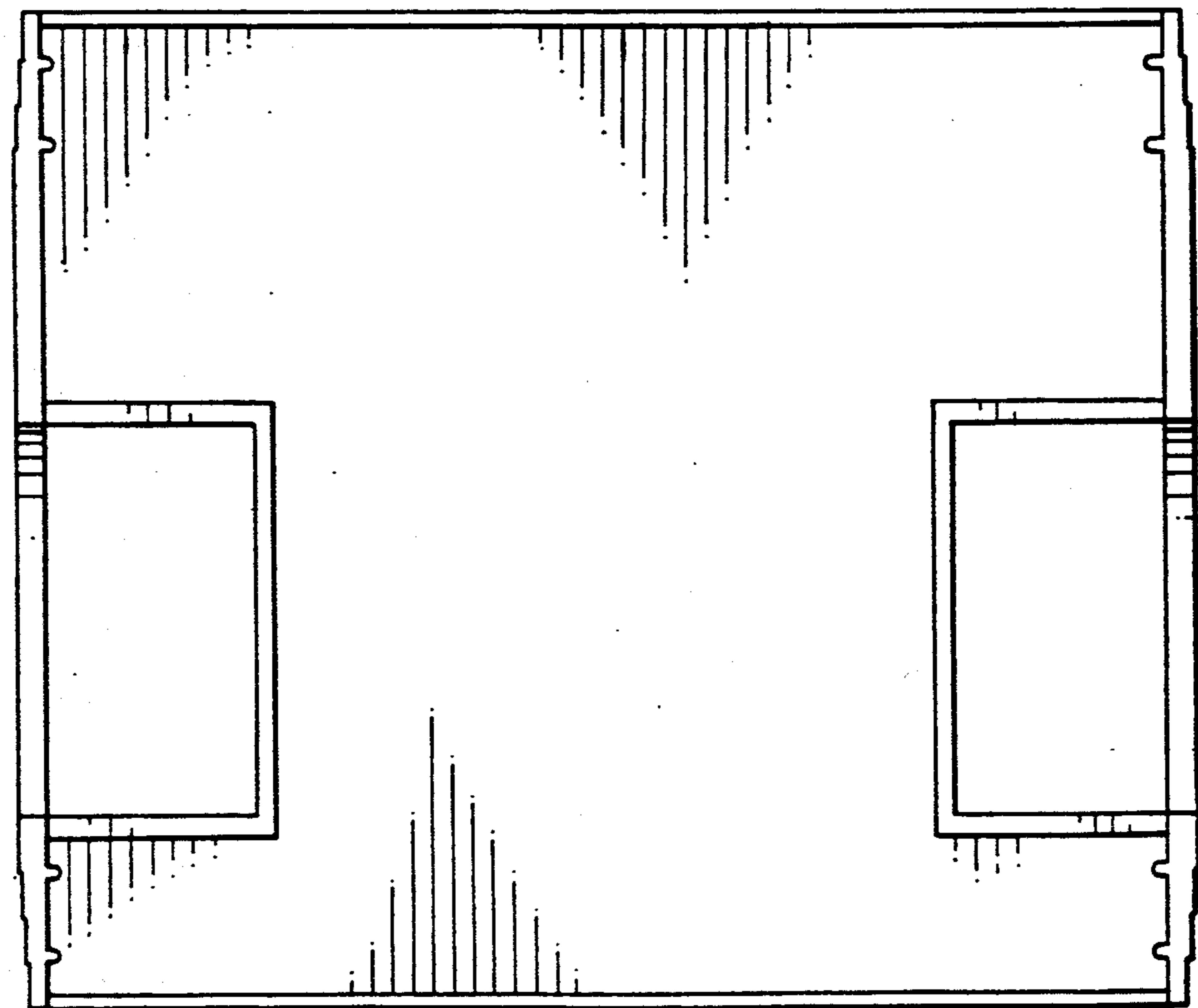


FIG 5

