



US00D323184S

United States Patent [19]

Sugawara

[11] Patent Number: **Des. 323,184**

[45] Date of Patent: **** Jan. 14, 1992**

[54] **AUTOMATIC DOCUMENT FEEDER FOR A PRINTER**

[75] Inventor: **Koki Sugawara, Tokyo, Japan**

[73] Assignee: **Oki Electric Industry Co., Ltd., Tokyo, Japan**

[**] Term: **14 Years**

[21] Appl. No.: **458,382**

[22] Filed: **Dec. 28, 1989**

[30] **Foreign Application Priority Data**

Jul. 14, 1989 [JP] Japan 1-25875

[52] U.S. Cl. **D18/56**

[58] Field of Search D18/1, 12, 13, 22, 36-44; D14/111; 226/74; 271/2.1, 3, 8.1, 9, 10; 355/308, 309; 400/624-629, 636, 642, 636.2, 646, 647, 647.1, 689-694

[56] **References Cited**

U.S. PATENT DOCUMENTS

- D. 243,949 4/1977 Olson D18/42
- D. 262,714 1/1982 Cathey et al. D18/42
- D. 277,872 3/1985 Rünzl D18/22 X
- D. 279,783 7/1985 Jordan et al. D14/111
- D. 304,956 12/1989 Omino et al. D18/22

- D. 316,268 4/1991 Miyajima et al. D18/42
- 4,747,718 5/1988 Shimizu 400/625

Primary Examiner—Wallace R. Burke
Assistant Examiner—Freda S. Nunn
Attorney, Agent, or Firm—Wenderoth, Lind & Ponack

[57] **CLAIM**

The ornamental design for an automatic document feeder for a printer, as shown and described.

DESCRIPTION

FIG. 1 is a right front side perspective view of an automatic document feeder for a printer showing my new design;

FIG. 2 is a front elevational view thereof;

FIG. 3 is a top plan view thereof;

FIG. 4 is a rear elevational view thereof;

FIG. 5 is a bottom plan view thereof;

FIG. 6 is a left side elevational view thereof;

FIG. 7 is a right side elevational view thereof;

FIG. 8 is a sectional view taken on line VIII—VIII in FIG. 2; and

FIG. 9 is a perspective view thereof showing the feeder in an operative state with a printer attached. The printer and sheet of paper are shown in broken lines for illustrative purposes only in FIG. 9 and form no part of the claimed design.

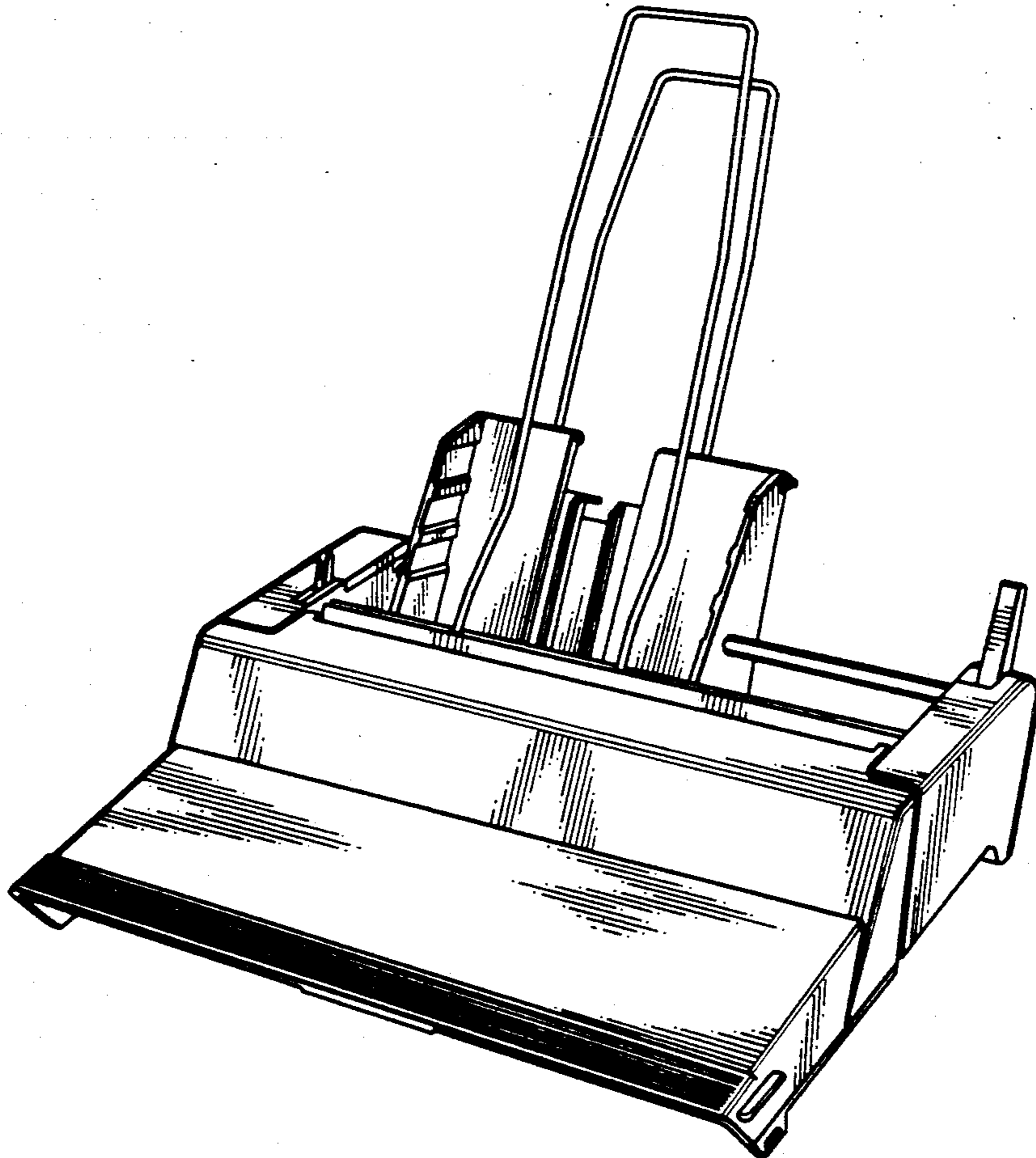
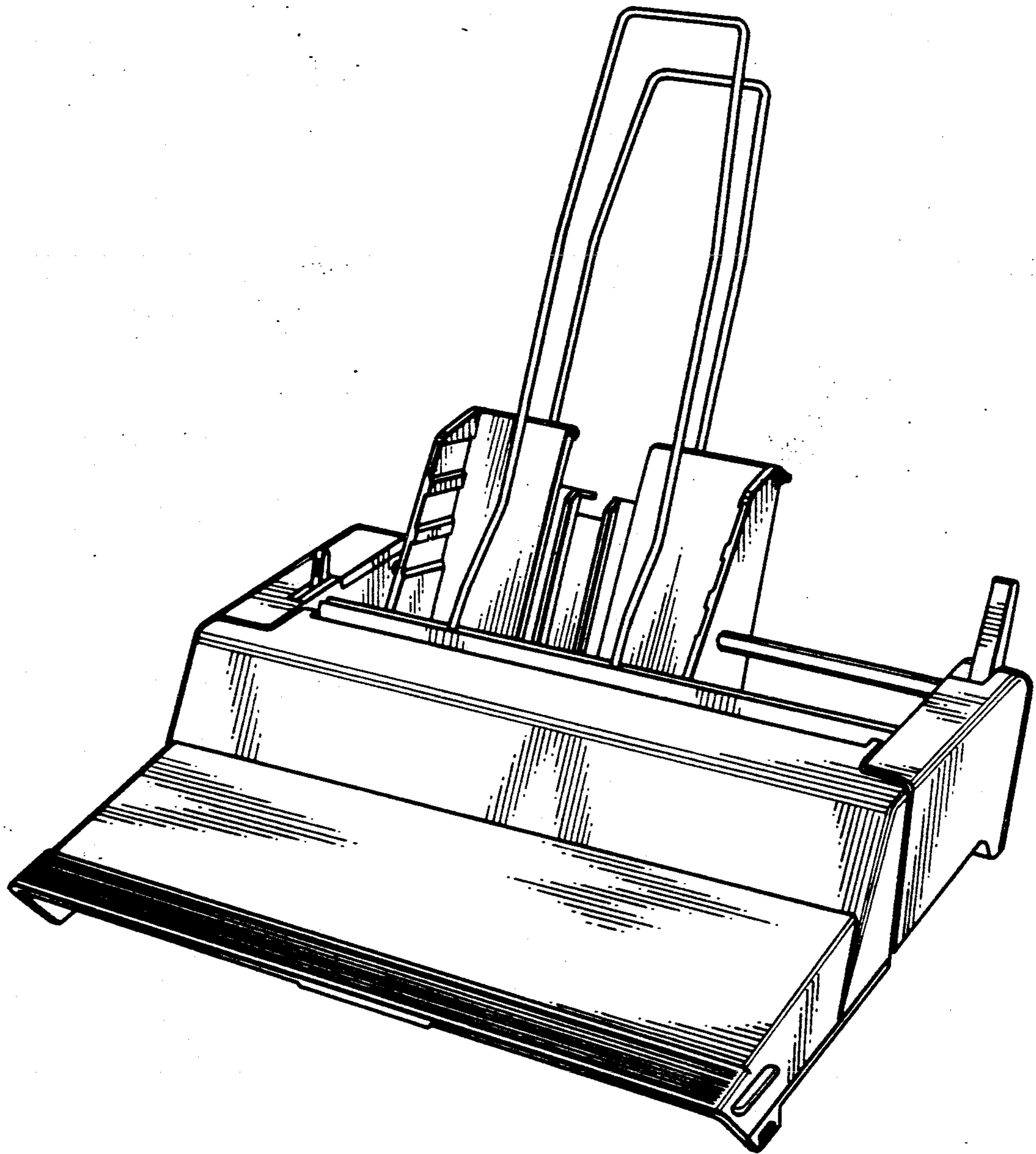


Fig. 1



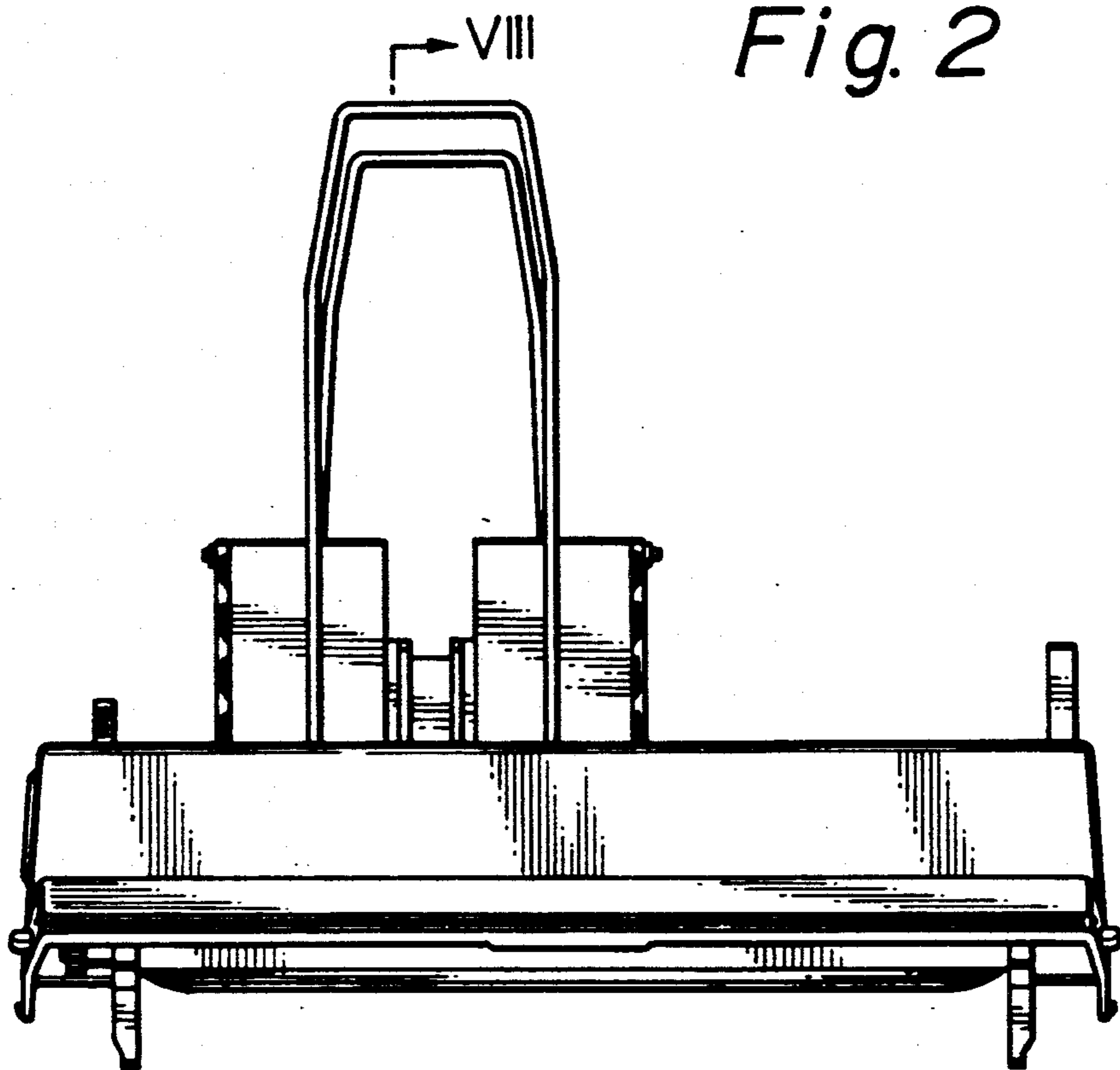


Fig. 2

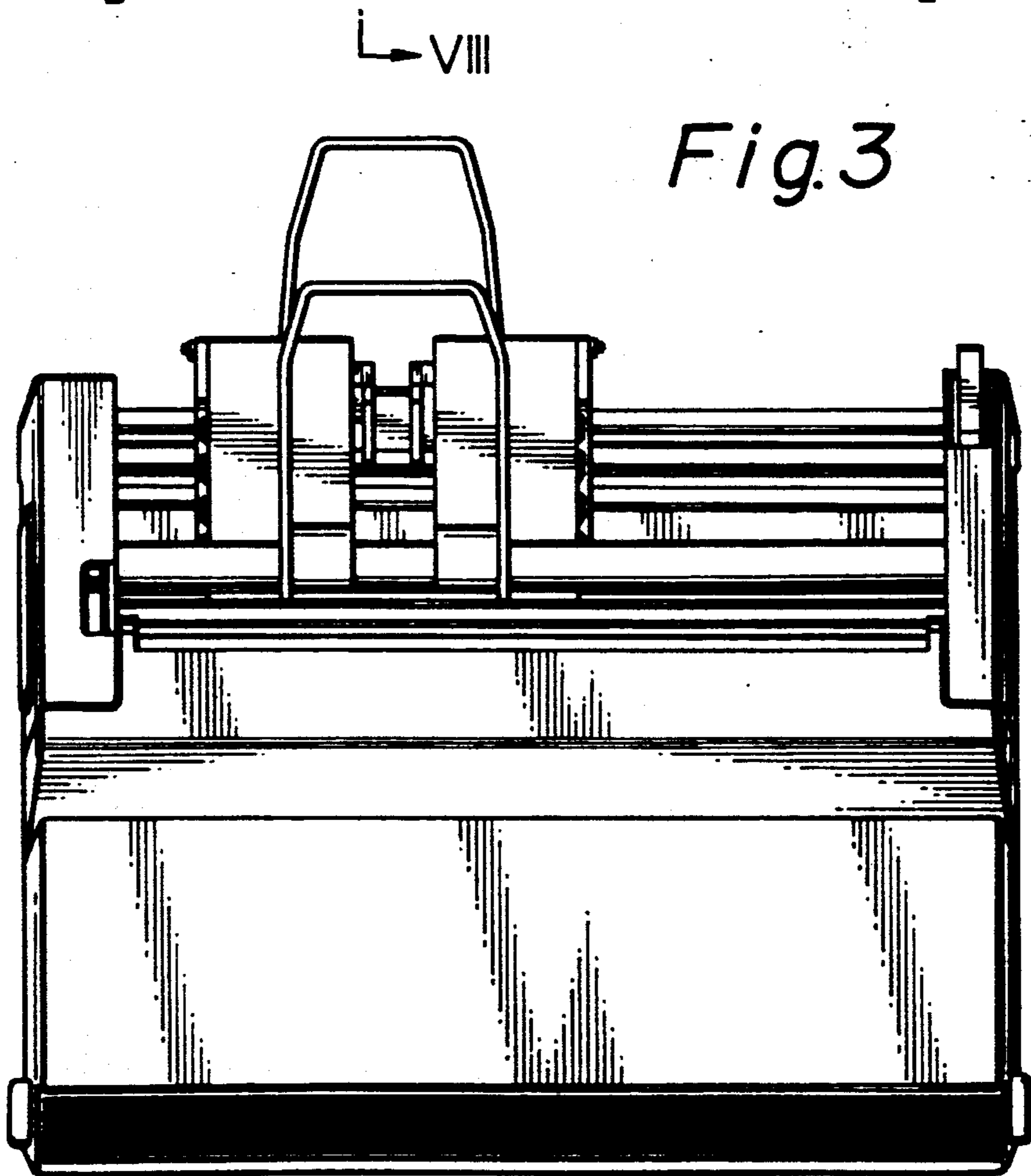


Fig. 3

Fig. 4

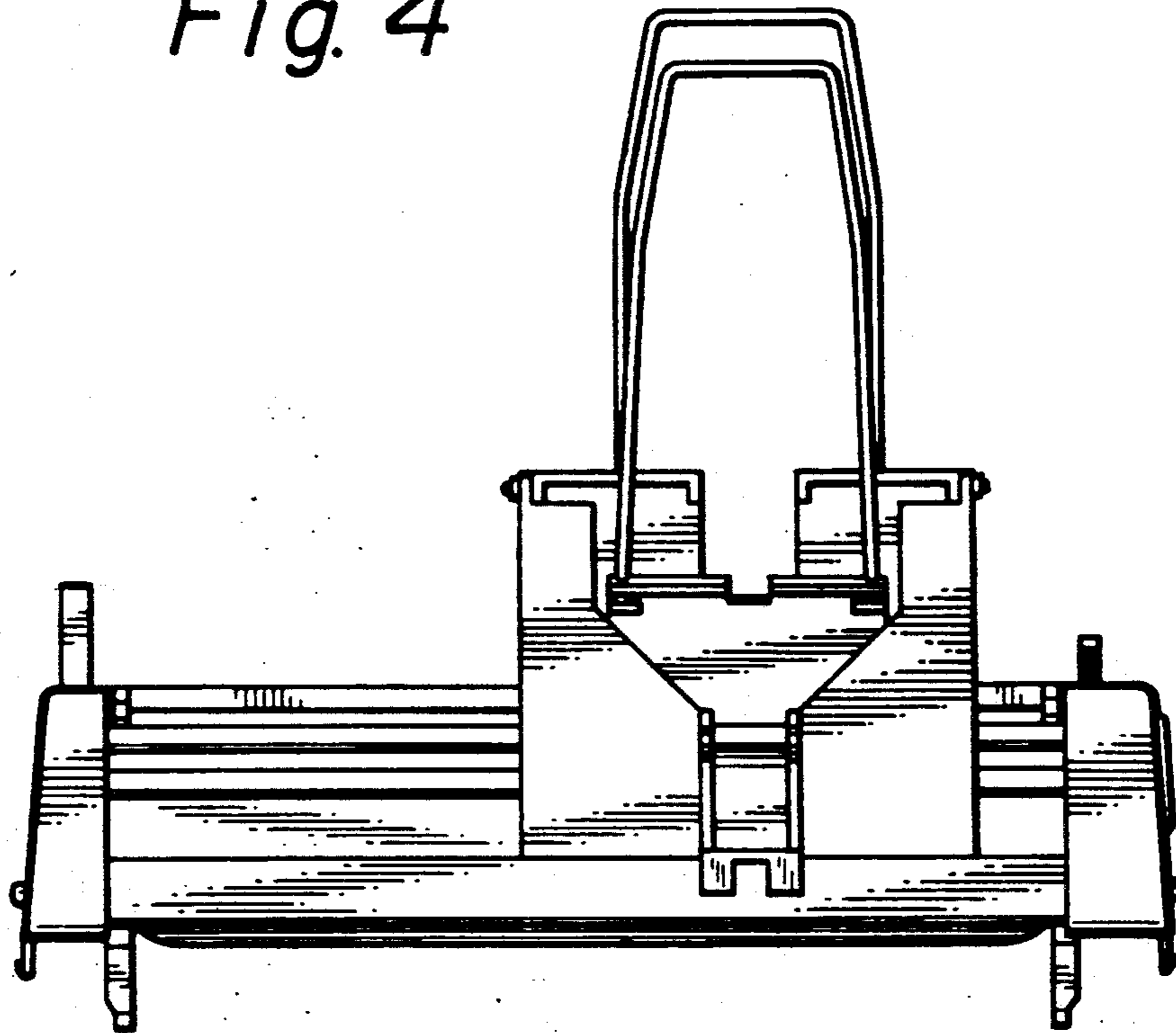


Fig. 5

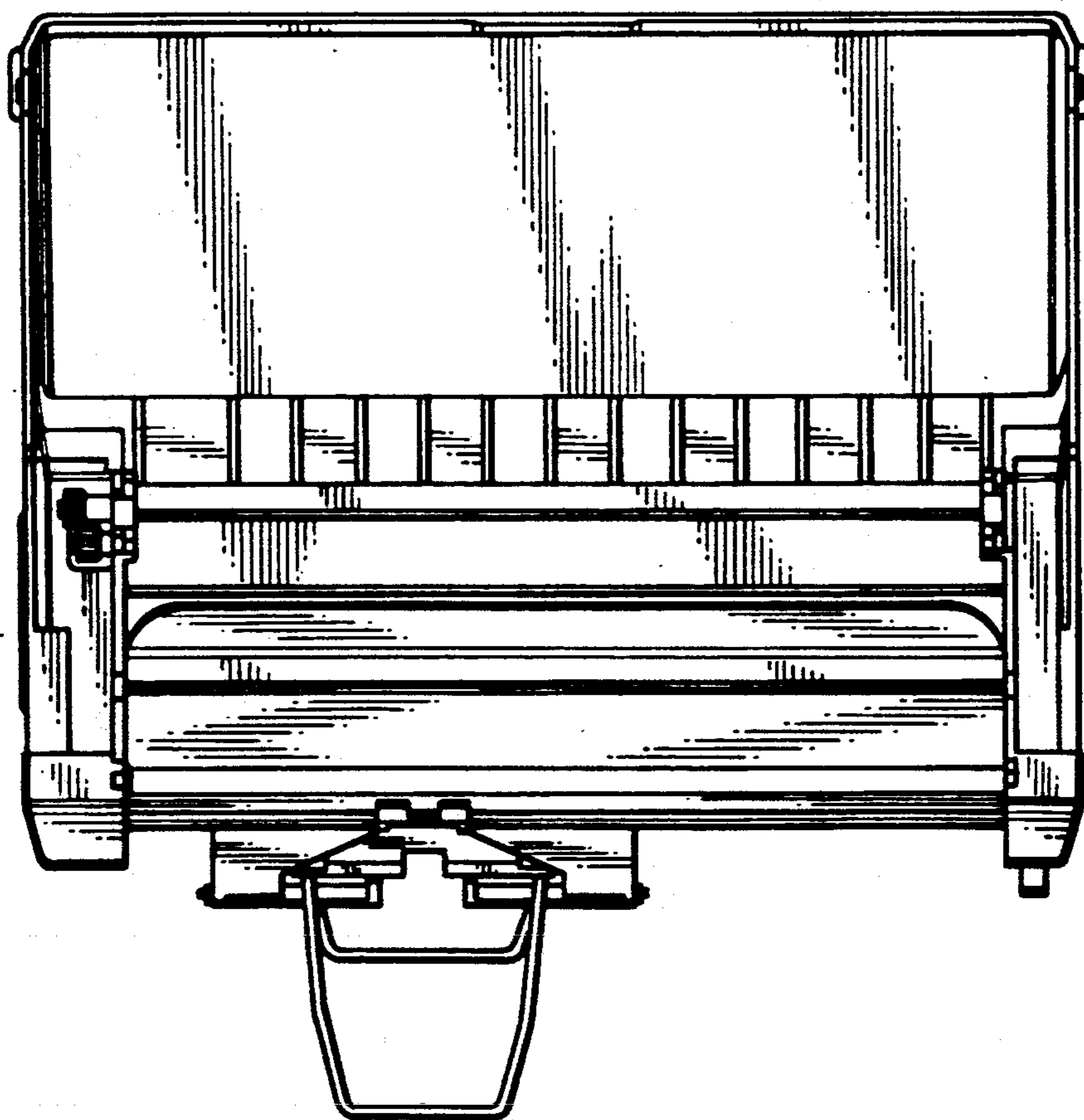


Fig. 6

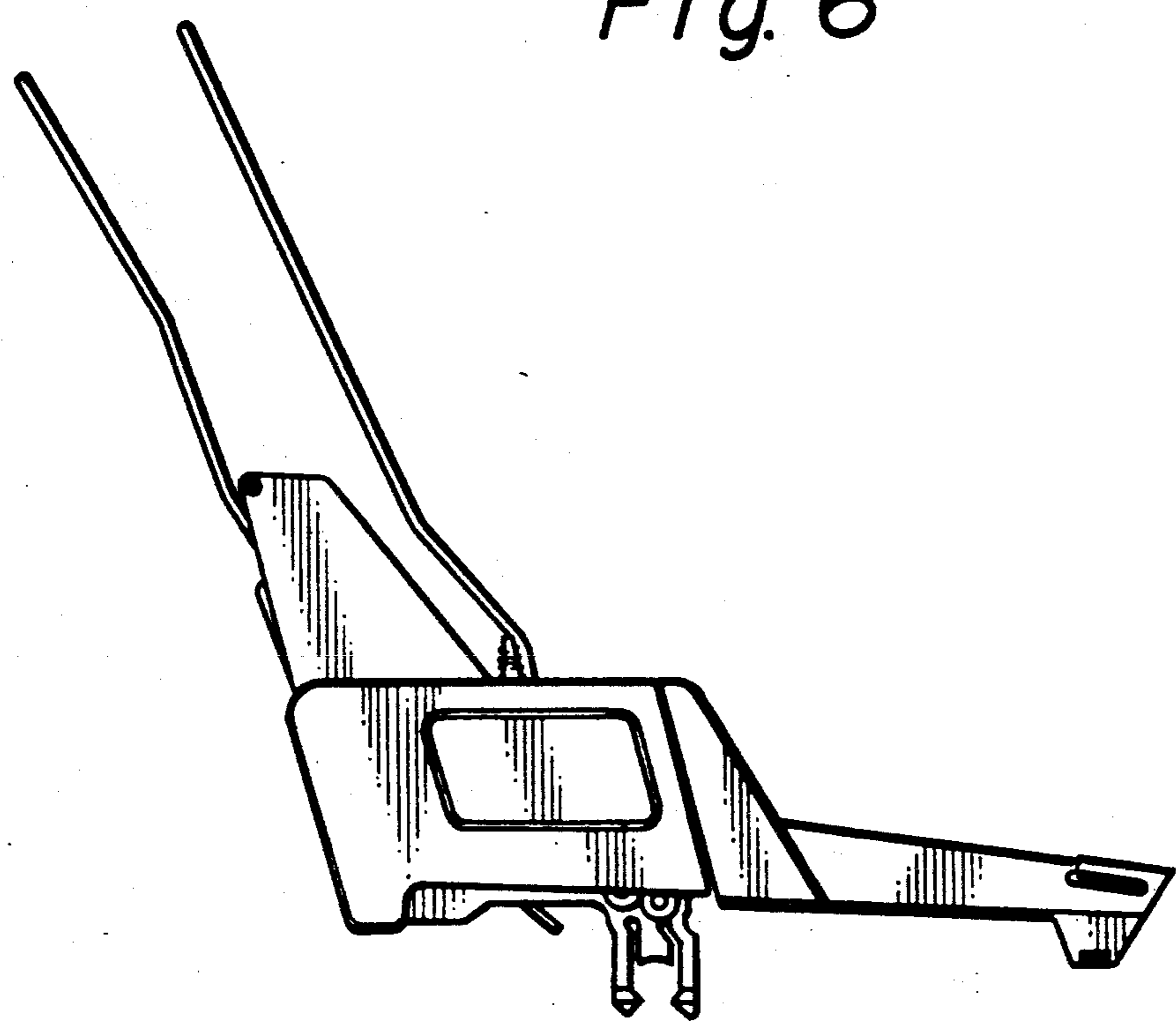


Fig. 7

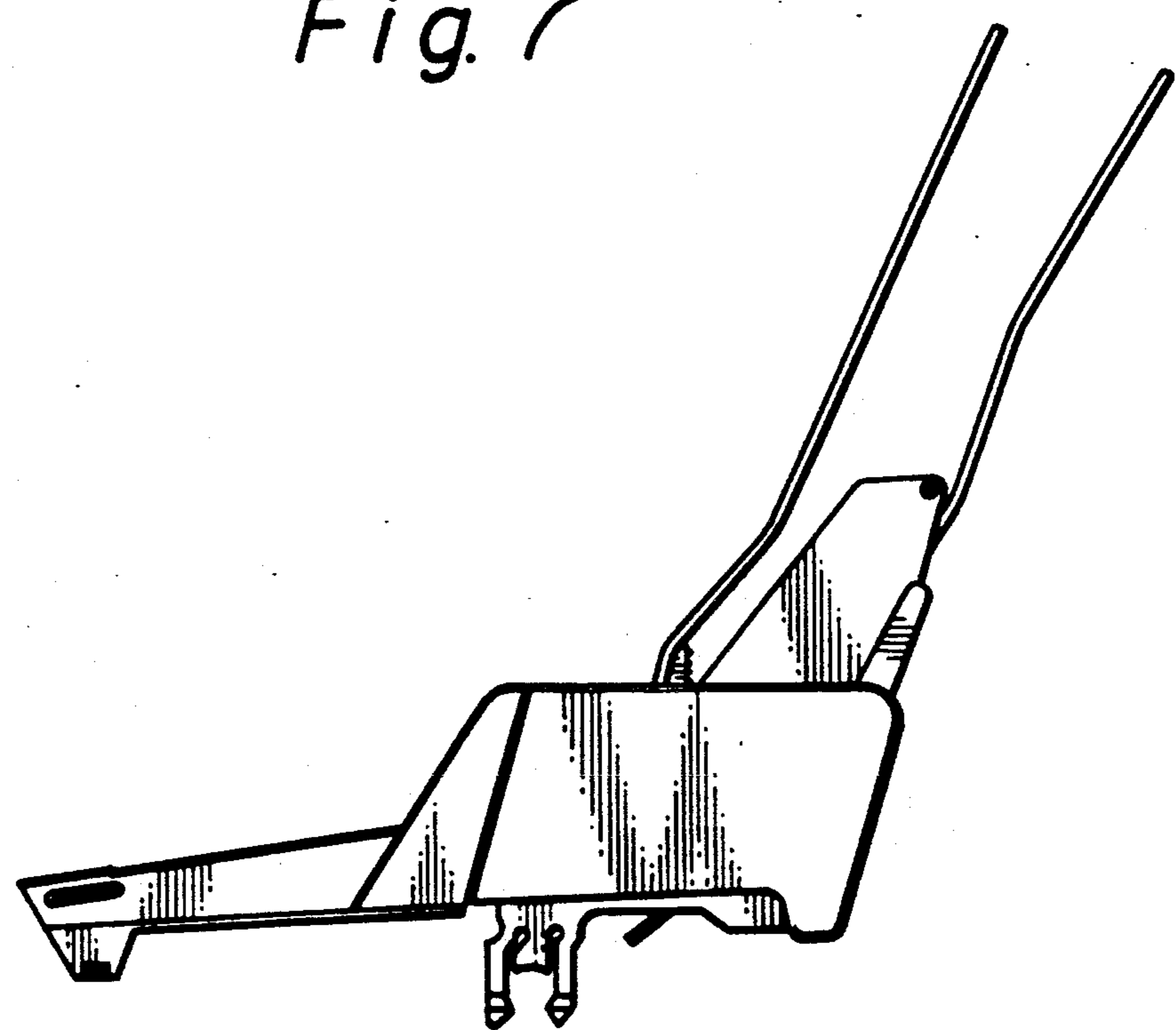


Fig. 8

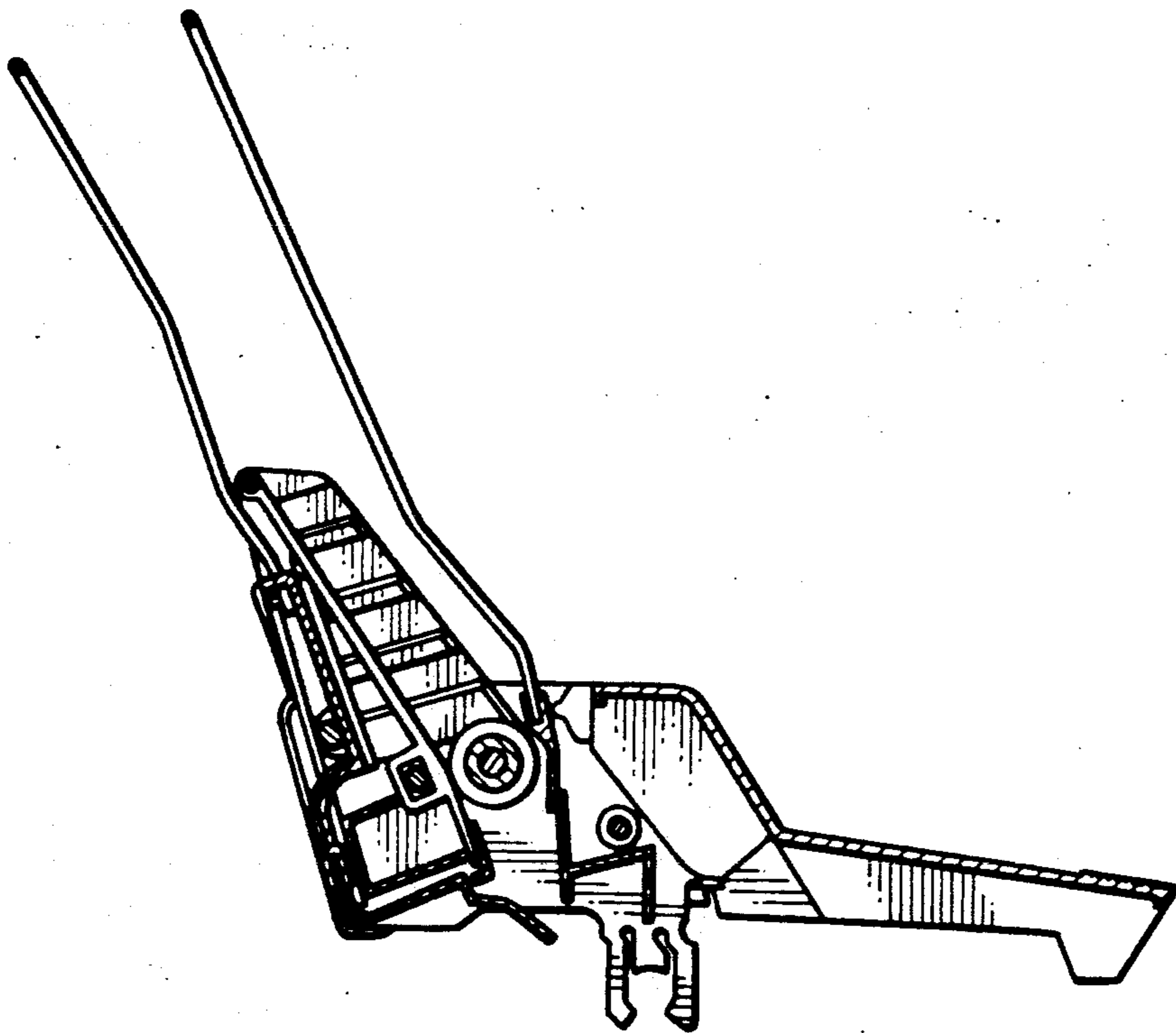


Fig. 9

