



US00D323181S

# United States Patent [19]

Puskas et al.

[11] Patent Number: Des. 323,181

[45] Date of Patent: \*\* Jan. 14, 1992

## [54] CAMCORDER SHOULDER SUPPORT

[76] Inventors: **Edward G. Puskas**, 722 Langely Rd., Trevelers Rest, S.C. 29690; **Werner Schulz**, 41 Rollinggreen Rd., Greer, S.C. 29651

[\*\*] Term: **14 Years**

[21] Appl. No.: **395,557**

[22] Filed: **Aug. 18, 1989**

[52] U.S. Cl. .... **D16/243**

[58] Field of Search ..... **D16/202, 246, 243;**  
**224/185, 265, 266, 270, 271, 907, 908; 352/243;**  
**354/81, 82, 293**

### [56] References Cited

#### U.S. PATENT DOCUMENTS

D. 230,083	1/1974	Adams	.....	D16/243
D. 278,338	4/1985	Kurokawa et al.	.....	D16/202
D. 289,162	4/1987	Lisowski	.....	D16/242
2,651,981	9/1953	Calhoun	.....	354/293
2,753,778	7/1956	Tolcher	.....	352/243
4,083,480	4/1978	Lee et al.	.....	224/185
4,091,975	5/1978	Russell, Jr.	.....	224/265

## OTHER PUBLICATIONS

Personal Transportation Company, Videomaker Magazine, p. 67, Advertisement, Sep. 1989.

Electronic Mailbox Company, Video Magazine, Aug. 1989, Advertisement.

*Primary Examiner*—Bernard Ansher

*Assistant Examiner*—Adir Aronovich

*Attorney, Agent, or Firm*—Dority & Manning

## [57] CLAIM

The ornamental design for a camcorder shoulder support, as shown and described.

## DESCRIPTION

FIG. 1 is a side elevational view of a camcorder shoulder support showing our new design;

FIG. 2 is a side elevational view opposite of that shown in FIG. 1;

FIG. 3 is a rear elevational view thereof;

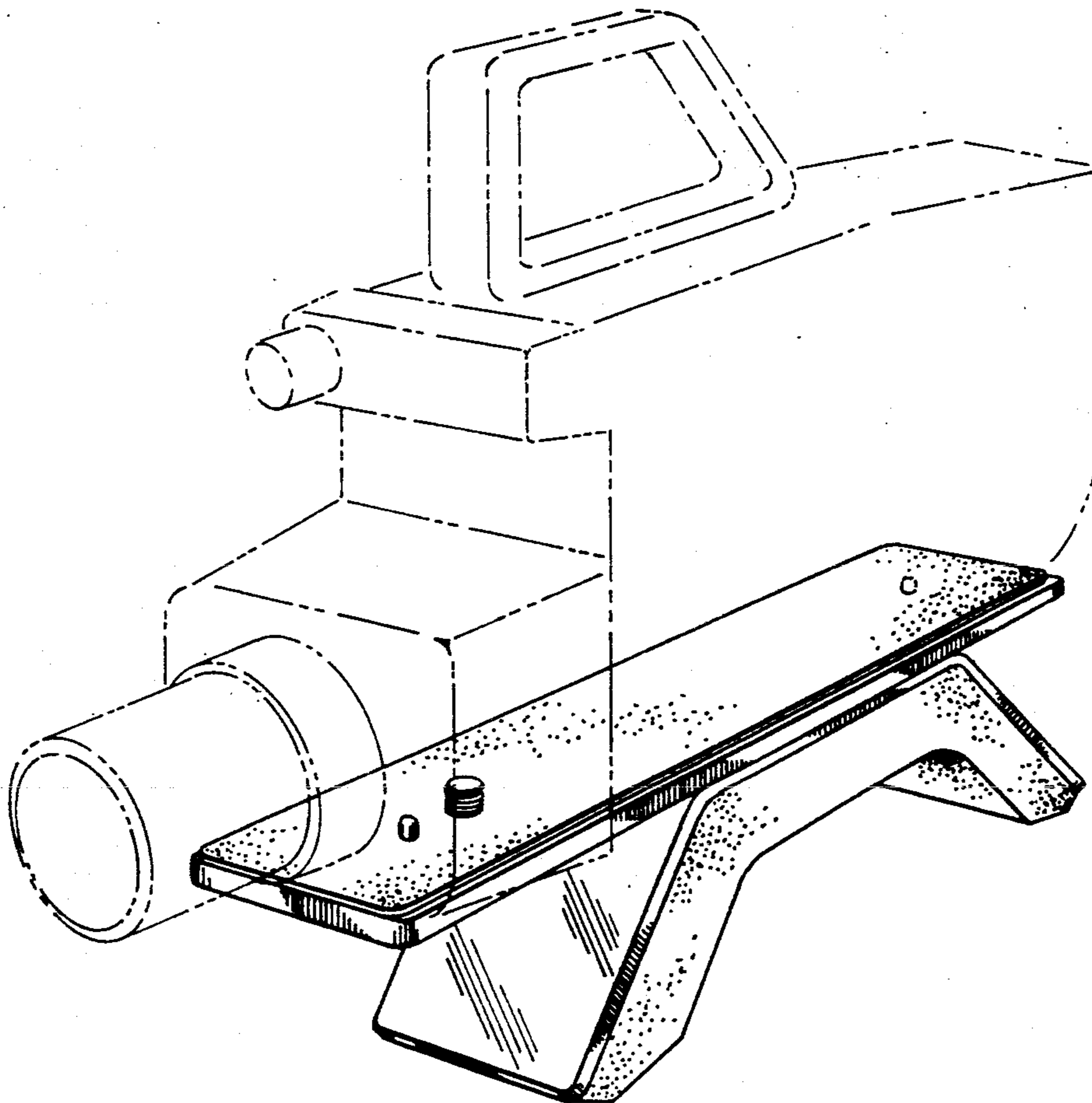
FIG. 4 is a front elevational view thereof;

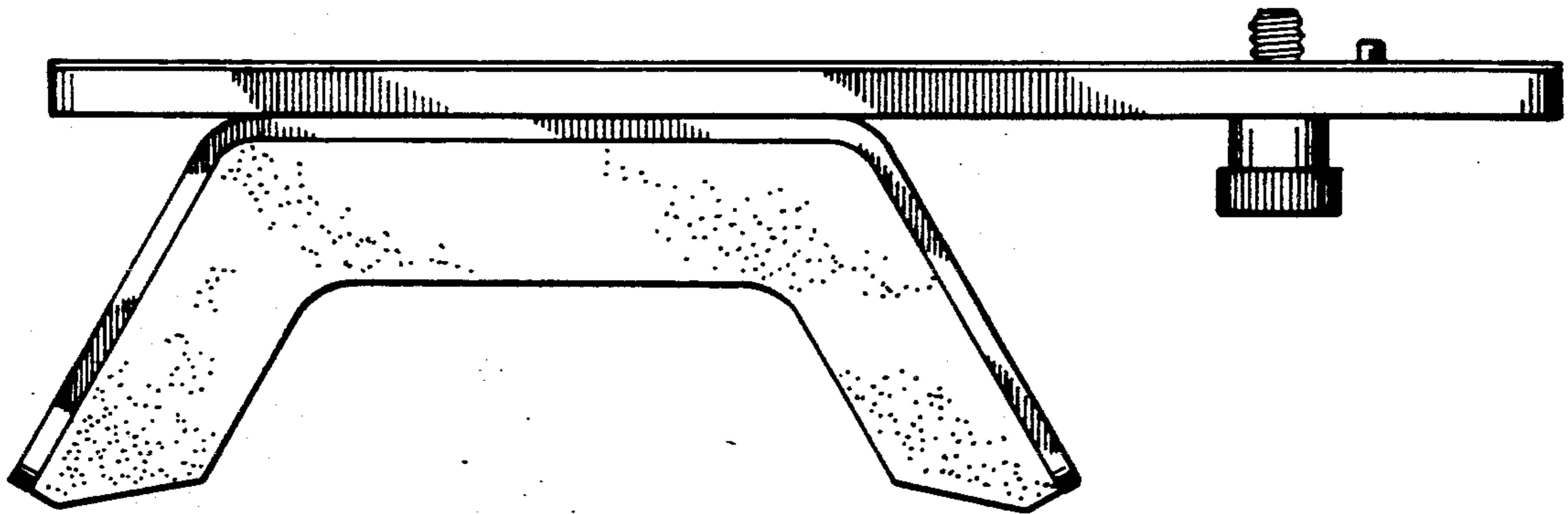
FIG. 5 is a top plan view thereof;

FIG. 6 is a bottom plan view thereof; and

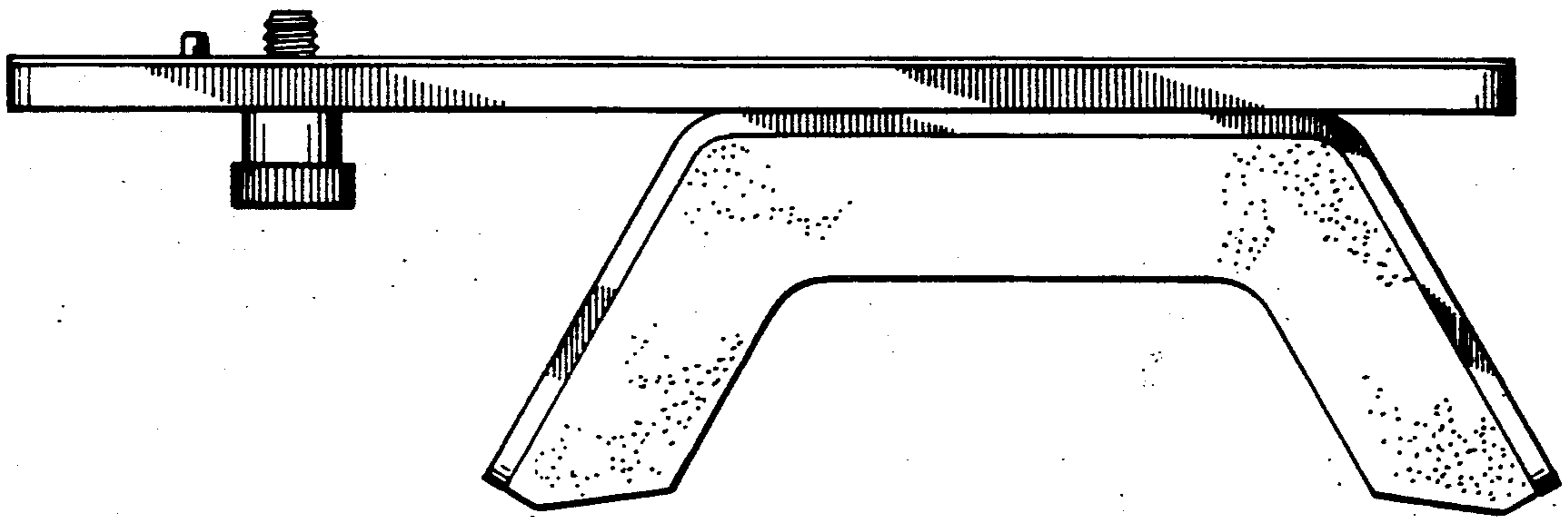
FIG. 7 is a top, front perspective view thereof.

The broken line showing of a camcorder is for illustrative purposes only and forms no part of the claimed design.

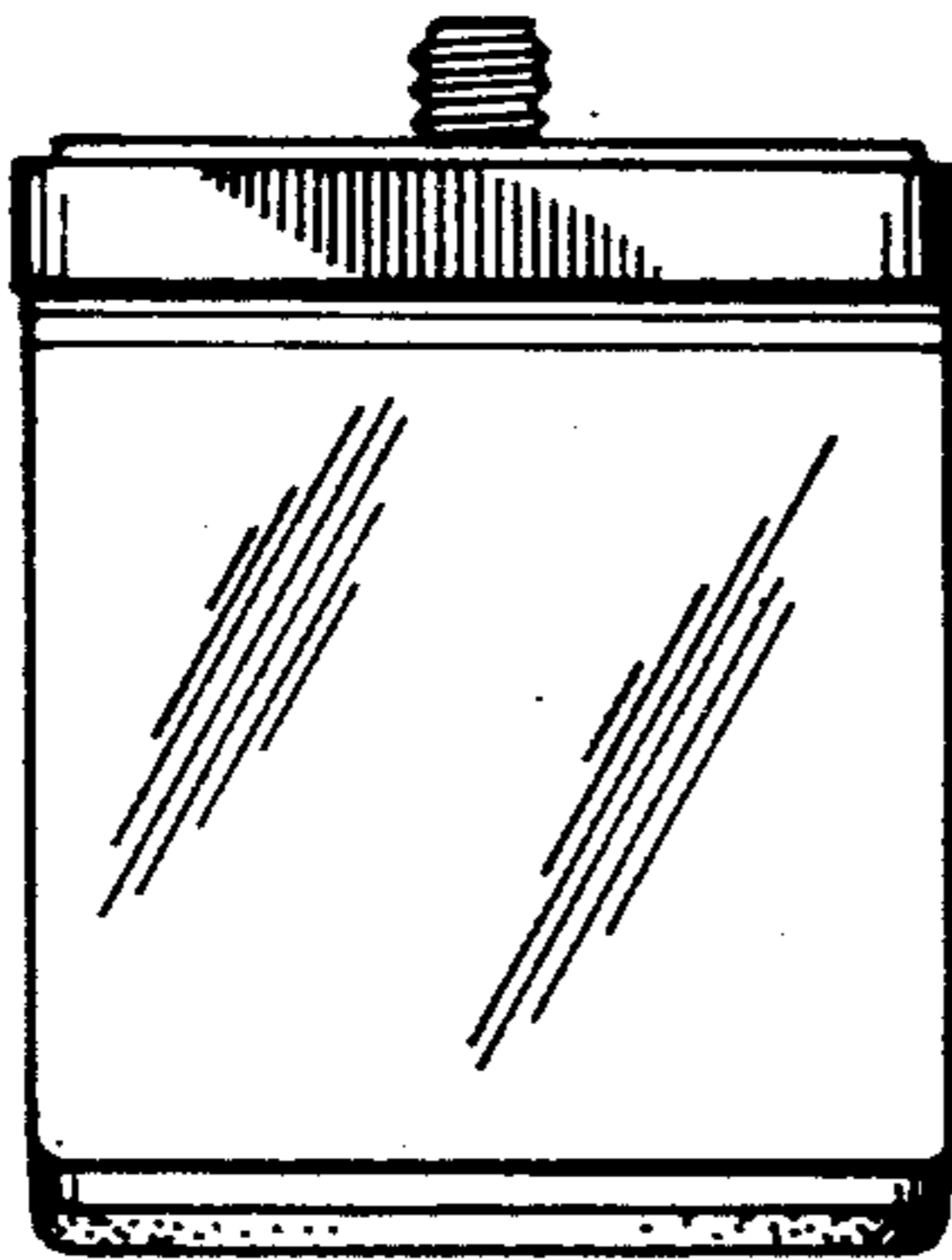




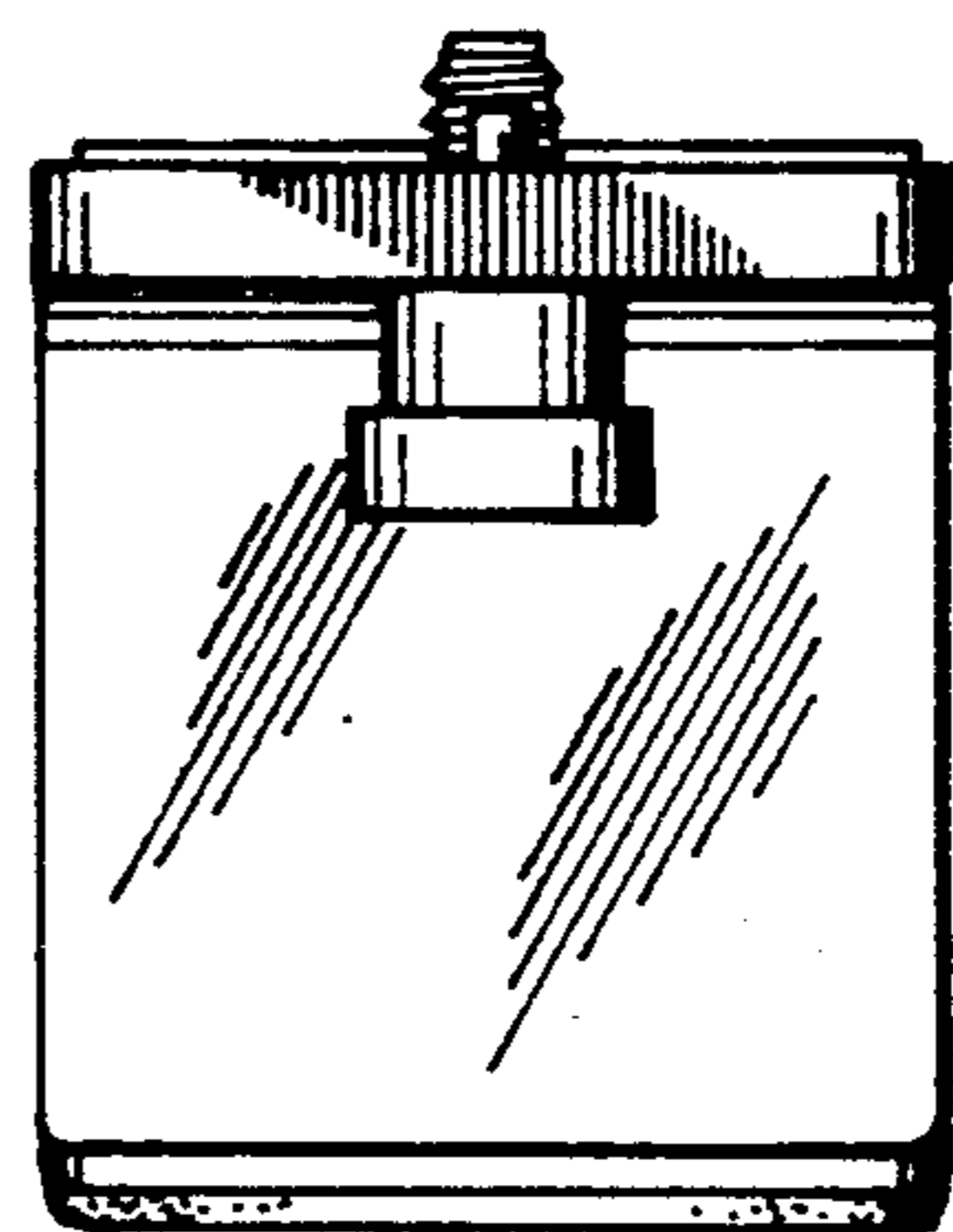
*Fig. 1*



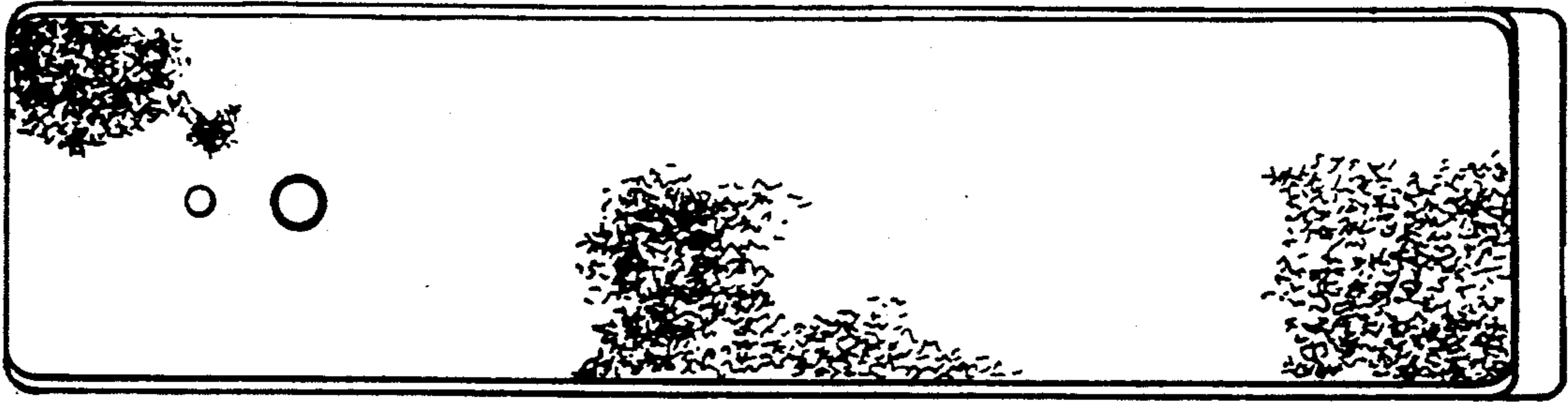
*Fig. 2*



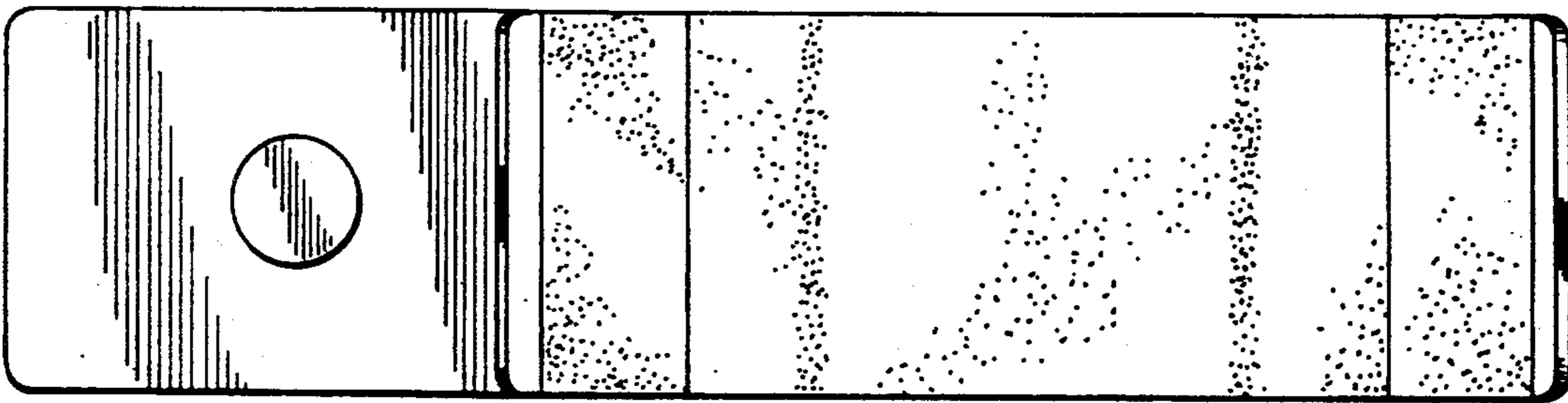
*Fig. 3*



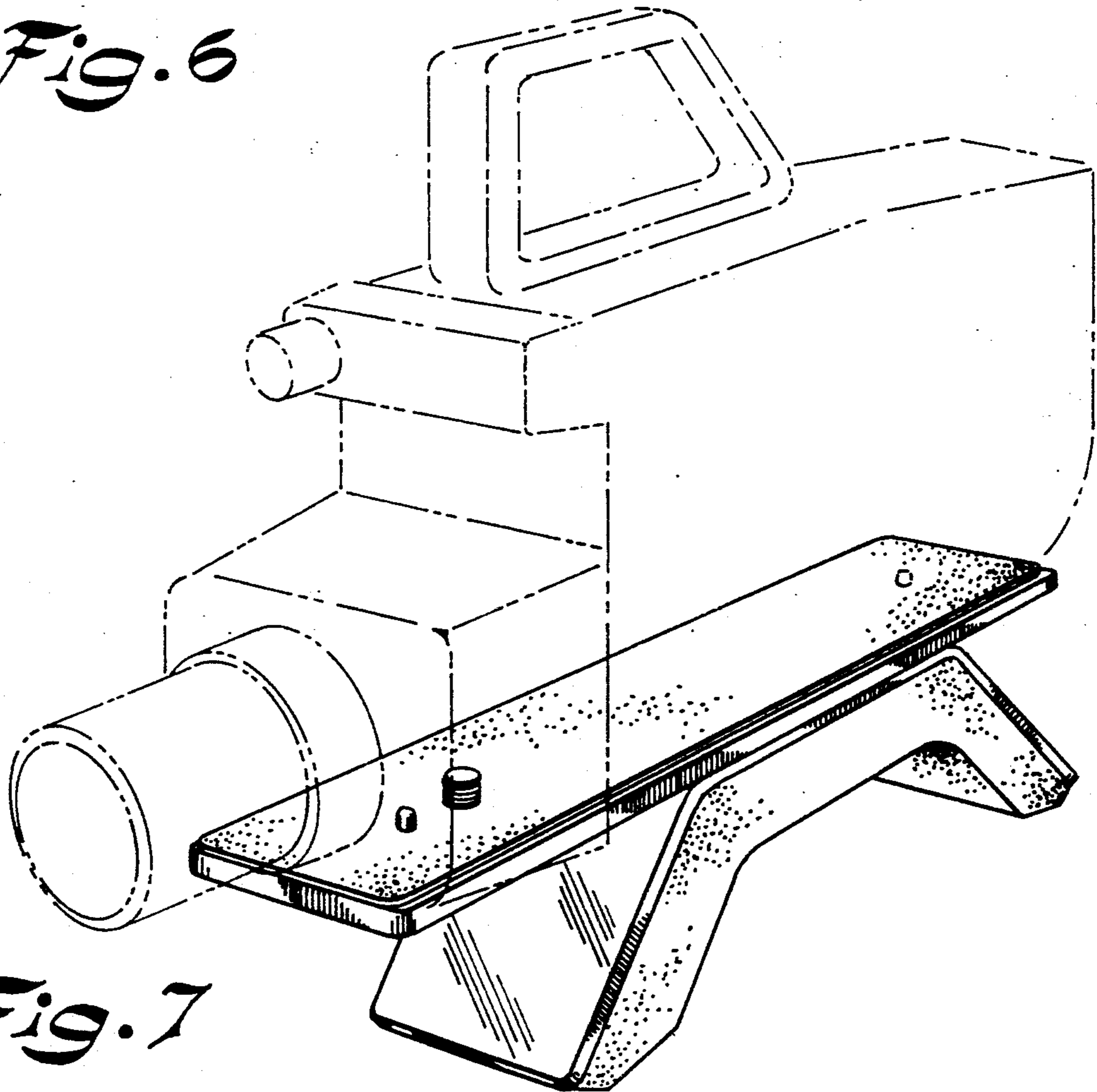
*Fig. 4*



*Fig. 5*



*Fig. 6*



*Fig. 7*