



US00D323180S

# United States Patent [19]

[11] Patent Number: Des. 323,180

Bush

[45] Date of Patent: \*\* Jan. 14, 1992

[54] STEROSCOPIC VIEWER

3,391,971	7/1968	Kaufman .....	350/140
4,730,898	3/1988	Curtin .....	350/133
4,789,220	12/1988	Kinnard .....	350/139

[76] Inventor: Timothy H. Bush, 31 Blodgett St., Clarendon Hills, Ill. 60514

[\*\*] Term: 14 Years

[21] Appl. No.: 407,798

[22] Filed: Sep. 15, 1988

[52] U.S. Cl. .... D16/222

[58] Field of Search ..... D16/221, 222, 227, 229; 40/361, 362, 364, 366; 350/139, 140, 131, 133, 143

[56] References Cited

U.S. PATENT DOCUMENTS

139,534	6/1873	Bazin .....	350/140
D. 246,788	12/1977	Simonelli et al. ....	D16/222
262,846	8/1882	Stevens .....	350/143
502,450	8/1893	Wagner .	
1,024,613	4/1912	Berger .	
1,097,601	5/1914	Maerz .	
1,194,057	8/1916	Murphy .	
1,197,679	9/1916	Stern .	
1,252,089	1/1918	Clarke .....	350/140
1,257,327	2/1918	Disney .	
1,392,327	10/1921	Hattersley .	
2,018,739	8/1934	Pauchek .	
2,131,444	1/1936	Lateltin et al. .	
2,187,765	7/1936	Walter .	
2,621,562	8/1950	Stone .	
2,757,573	8/1956	Turner .	
2,821,884	8/1954	Austin .	
2,984,153	3/1957	Brennan .	

OTHER PUBLICATIONS

"Stereoptics" Instructions Sheet.  
3DMark E3D Viewer: 1913 Westwood Boulevard, Los Angeles CA 90025.

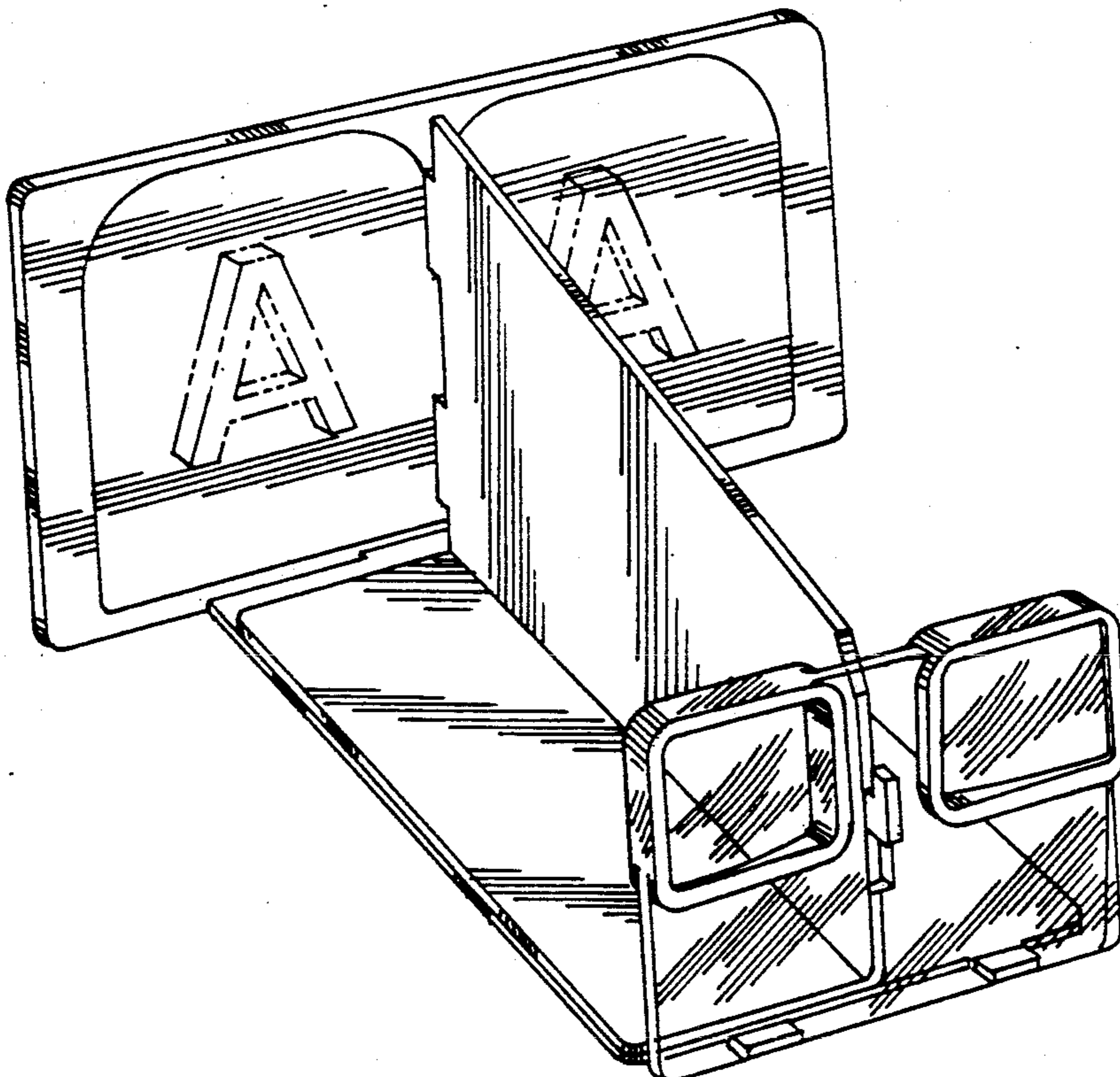
Primary Examiner—Bernard Ansher  
Assistant Examiner—Adir Aronovich  
Attorney, Agent, or Firm—William Brinks Olds Hofer Gilson & Lione

[57] CLAIM

The ornamental design for a stereoscopic viewer, as shown and described.

DESCRIPTION

FIG. 1 is a top, front and left side perspective view of a stereoscopic viewer showing my new design; FIG. 2 is a left side elevational view thereof; FIG. 3 is a right side elevational view thereof; FIG. 4 is a front elevational view thereof; FIG. 5 is a rear elevational view thereof; FIG. 6 is a top plan view thereof; FIG. 7 is a bottom plan view thereof; FIG. 8 is a top, front and left side perspective view of a second modified embodiment of the design of FIG. 1; and FIG. 9 is a left side elevational view thereof. The broken line showing of the letter "A" is for illustrative purposes only and forms no part of the claimed design.



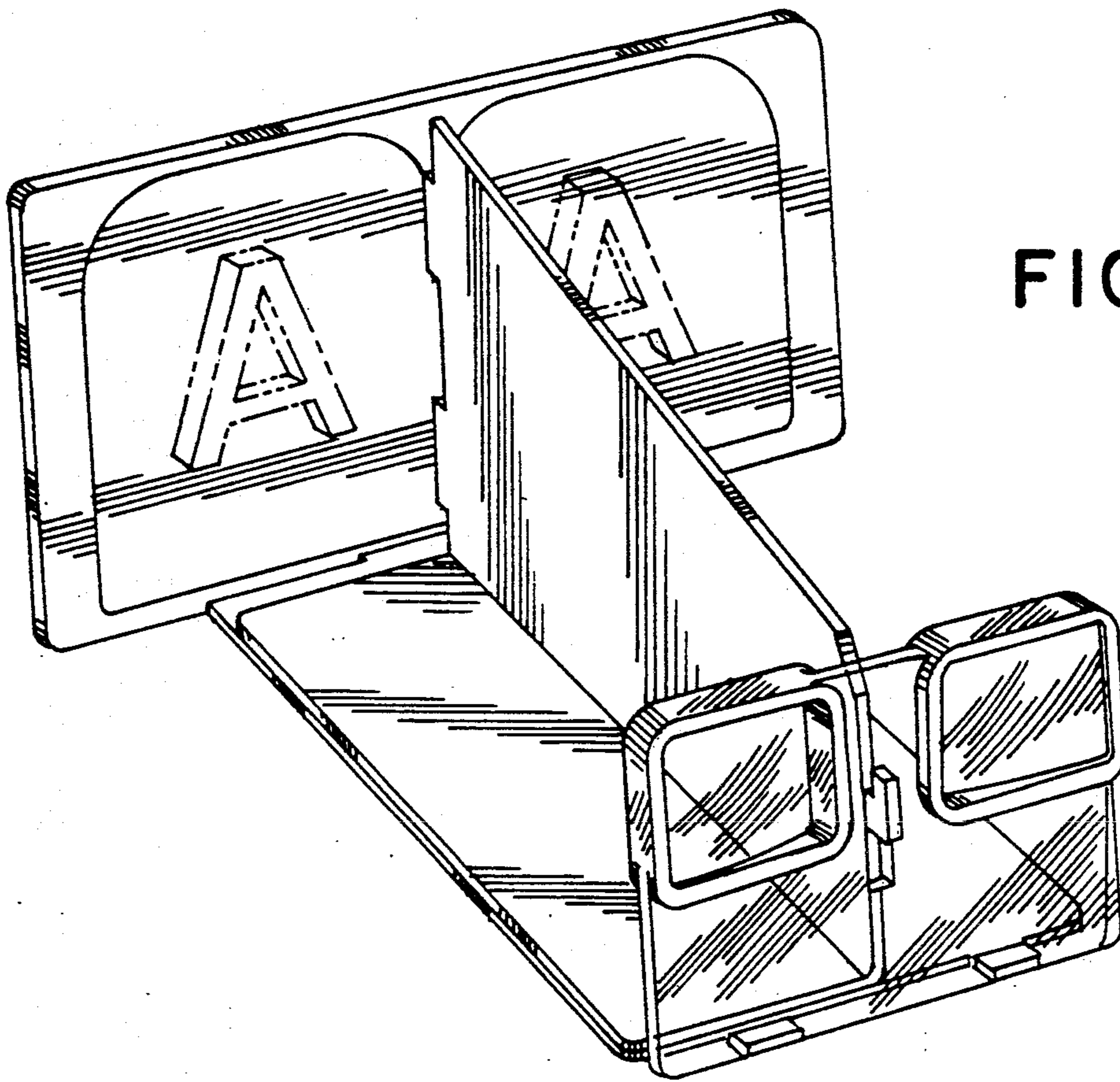


FIG. 1

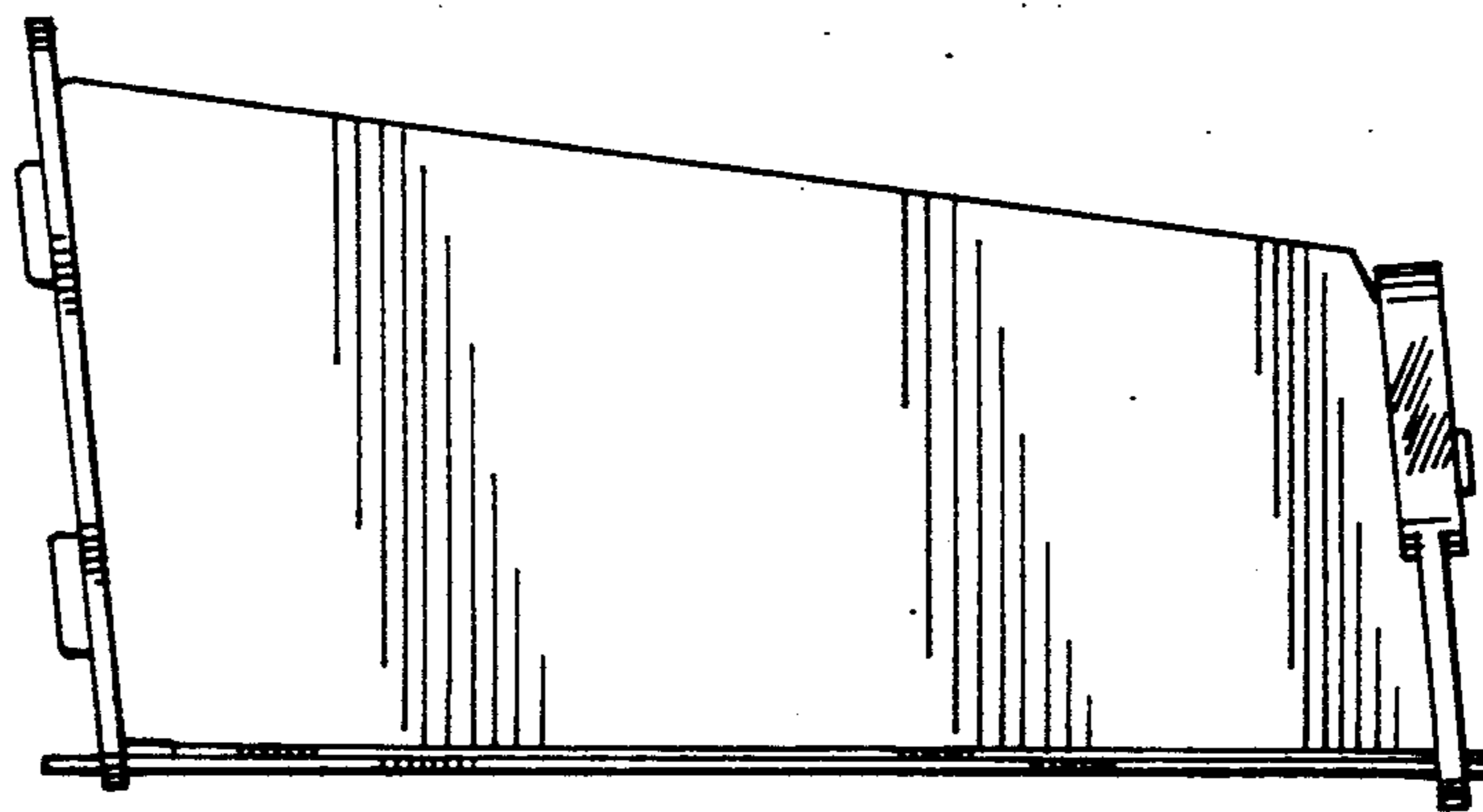


FIG. 2

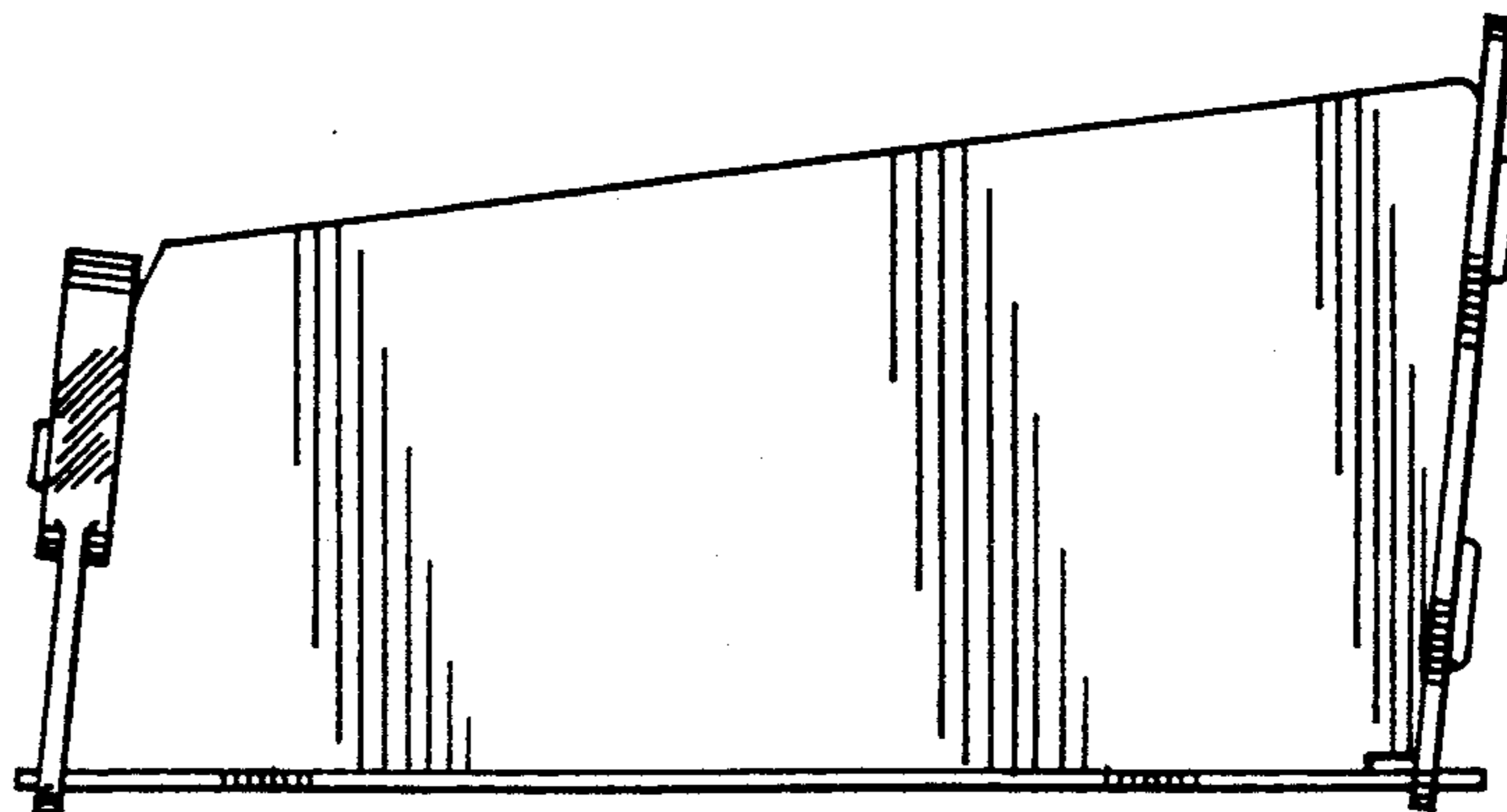


FIG. 3

FIG. 4

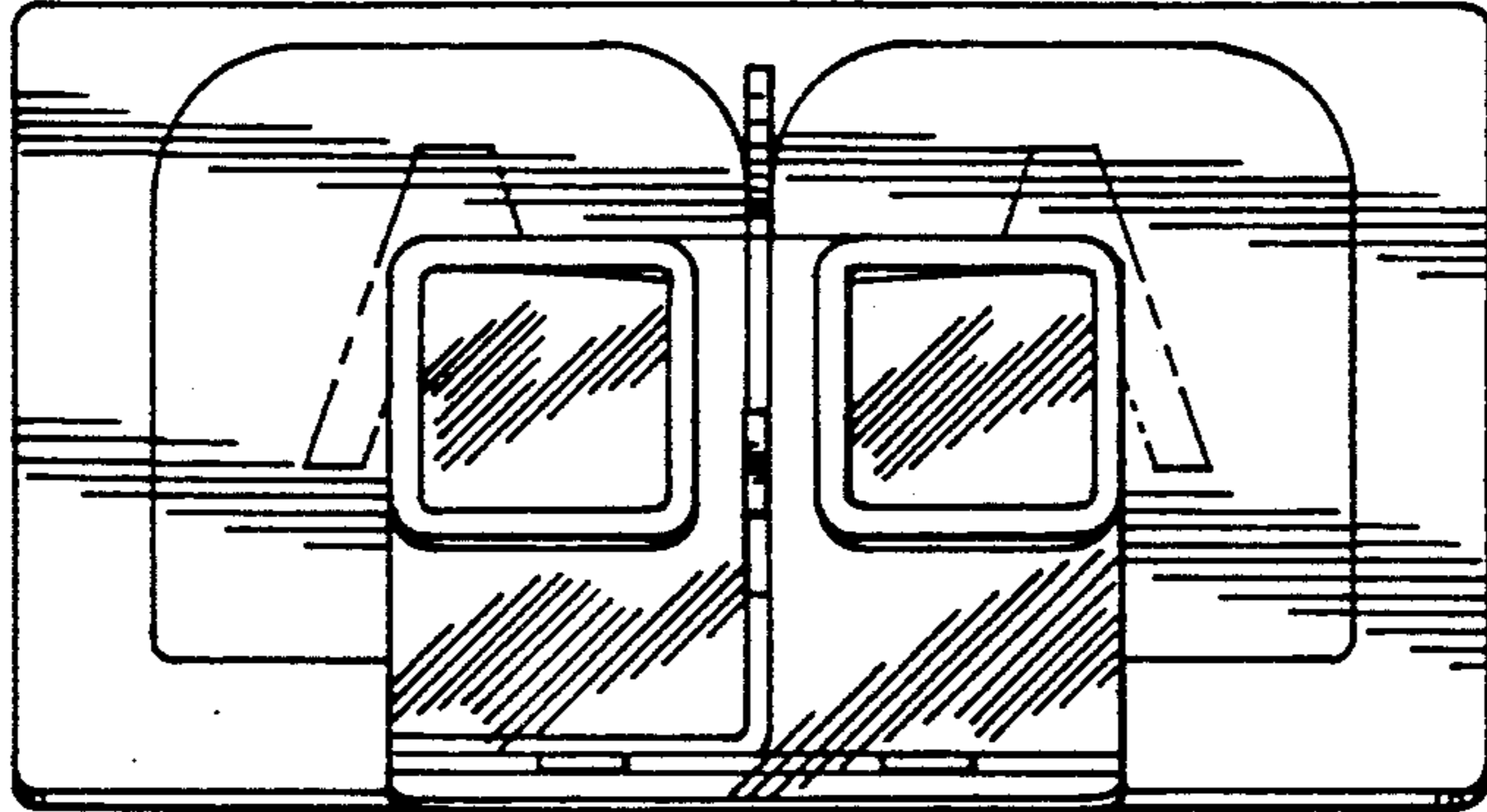


FIG. 5

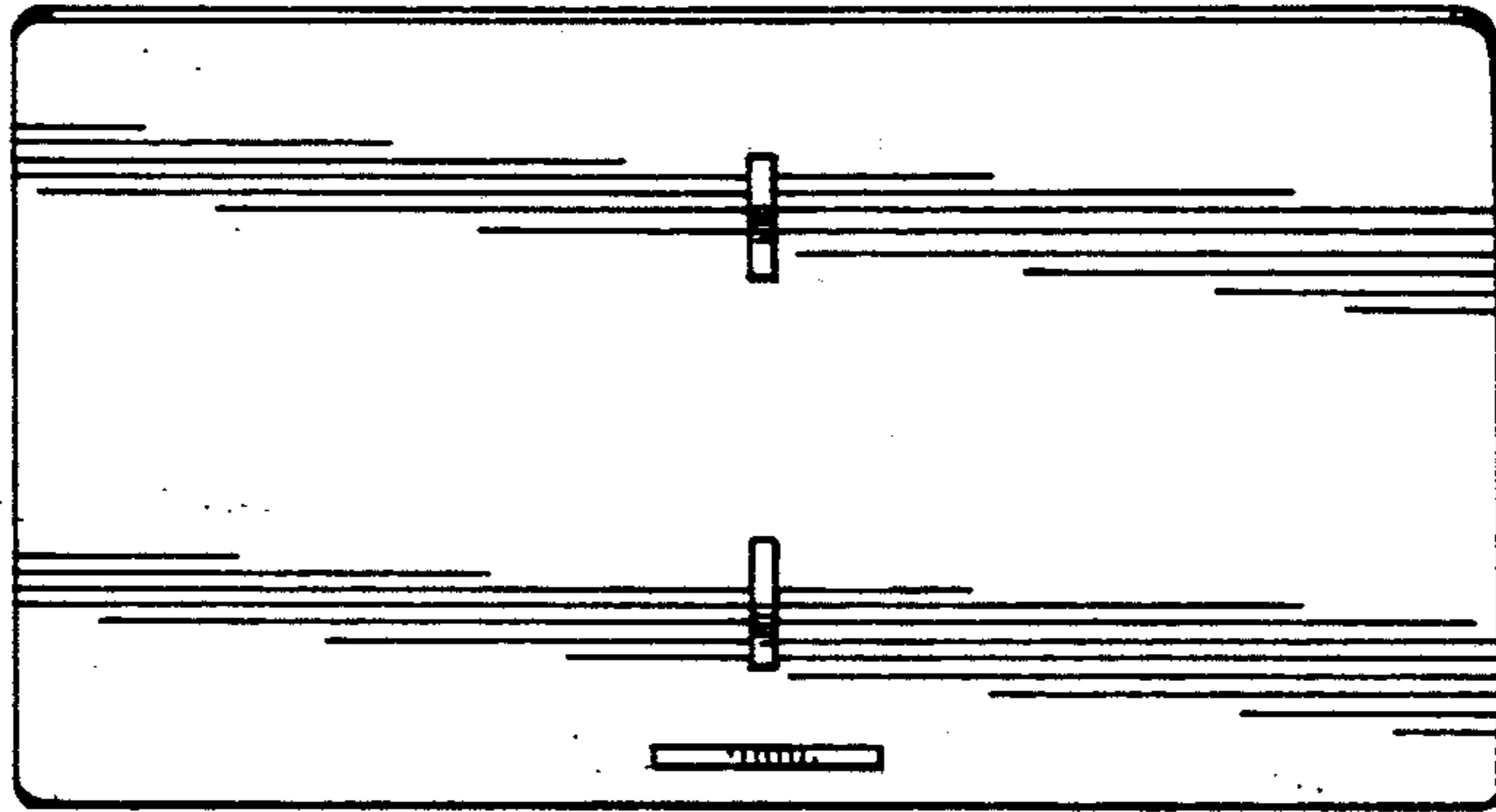


FIG. 6

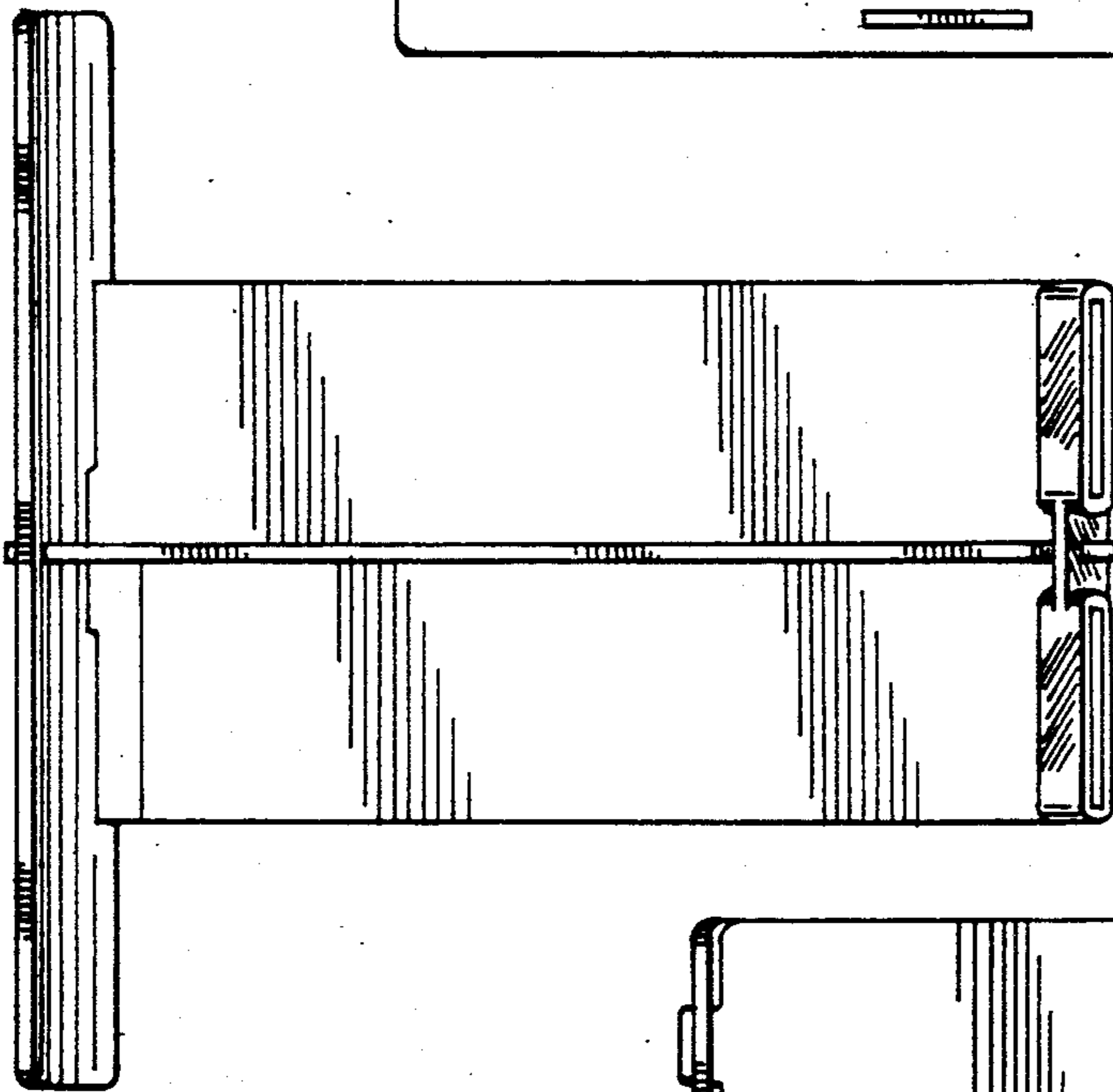
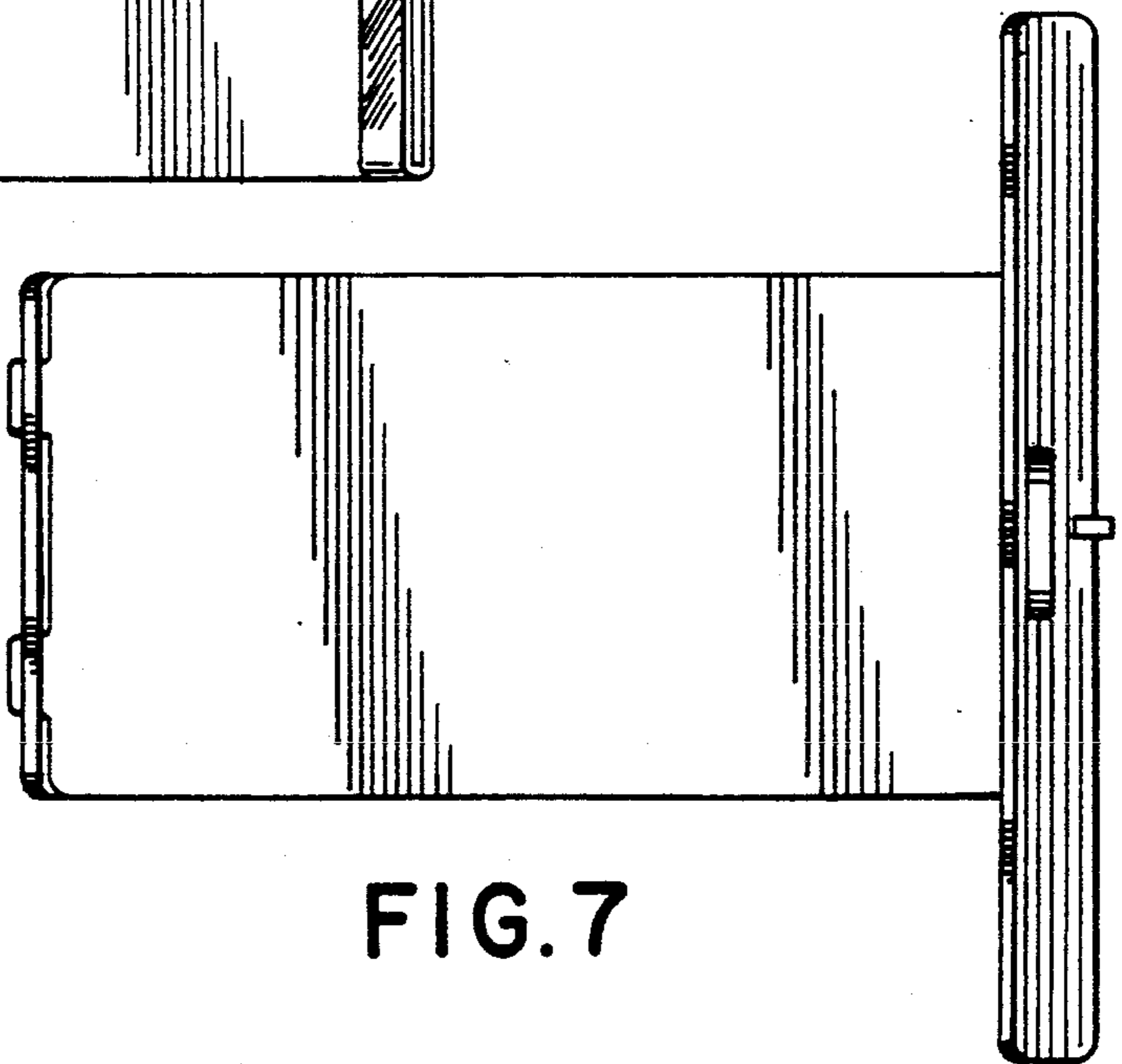


FIG. 7



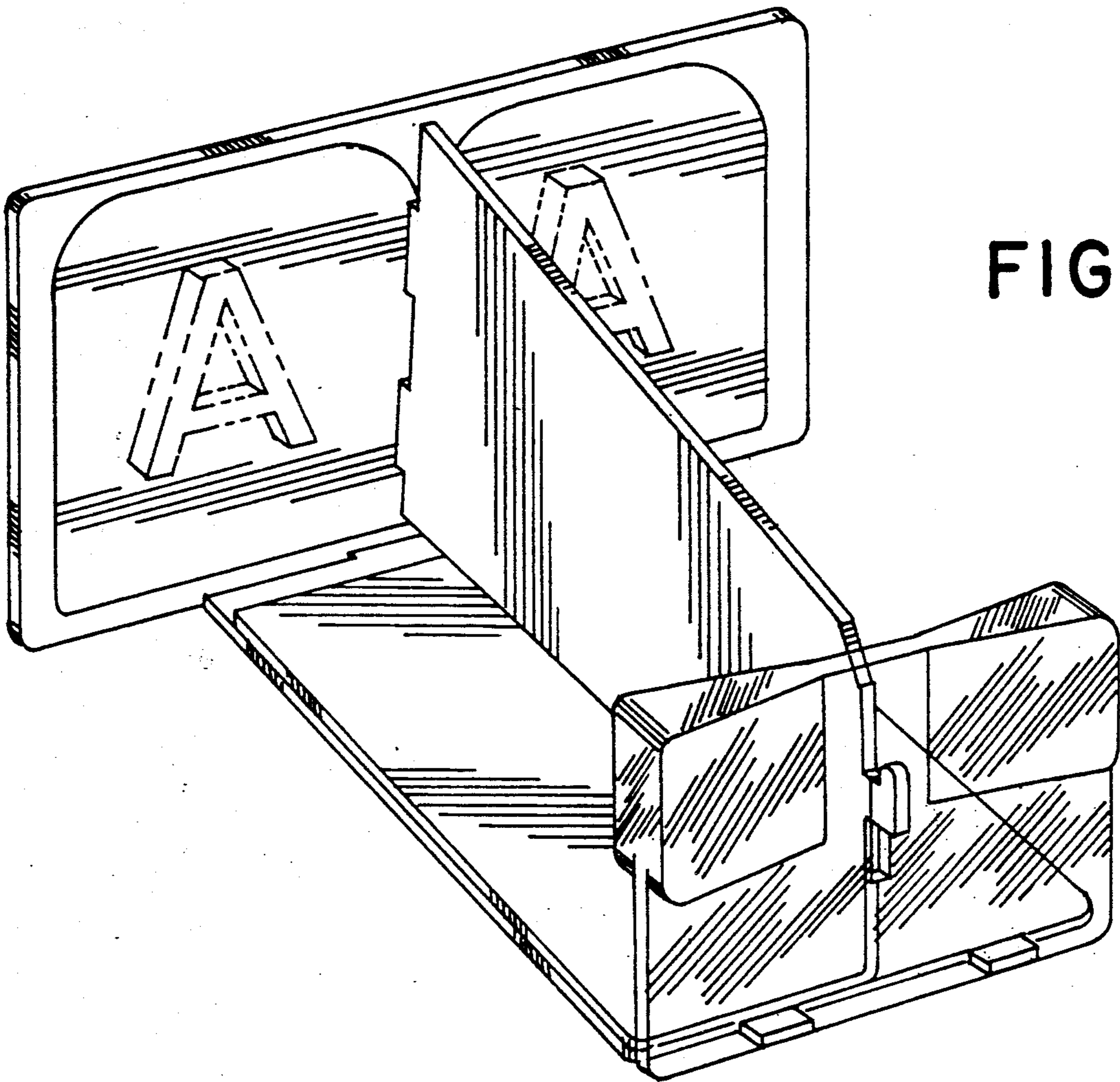


FIG. 8

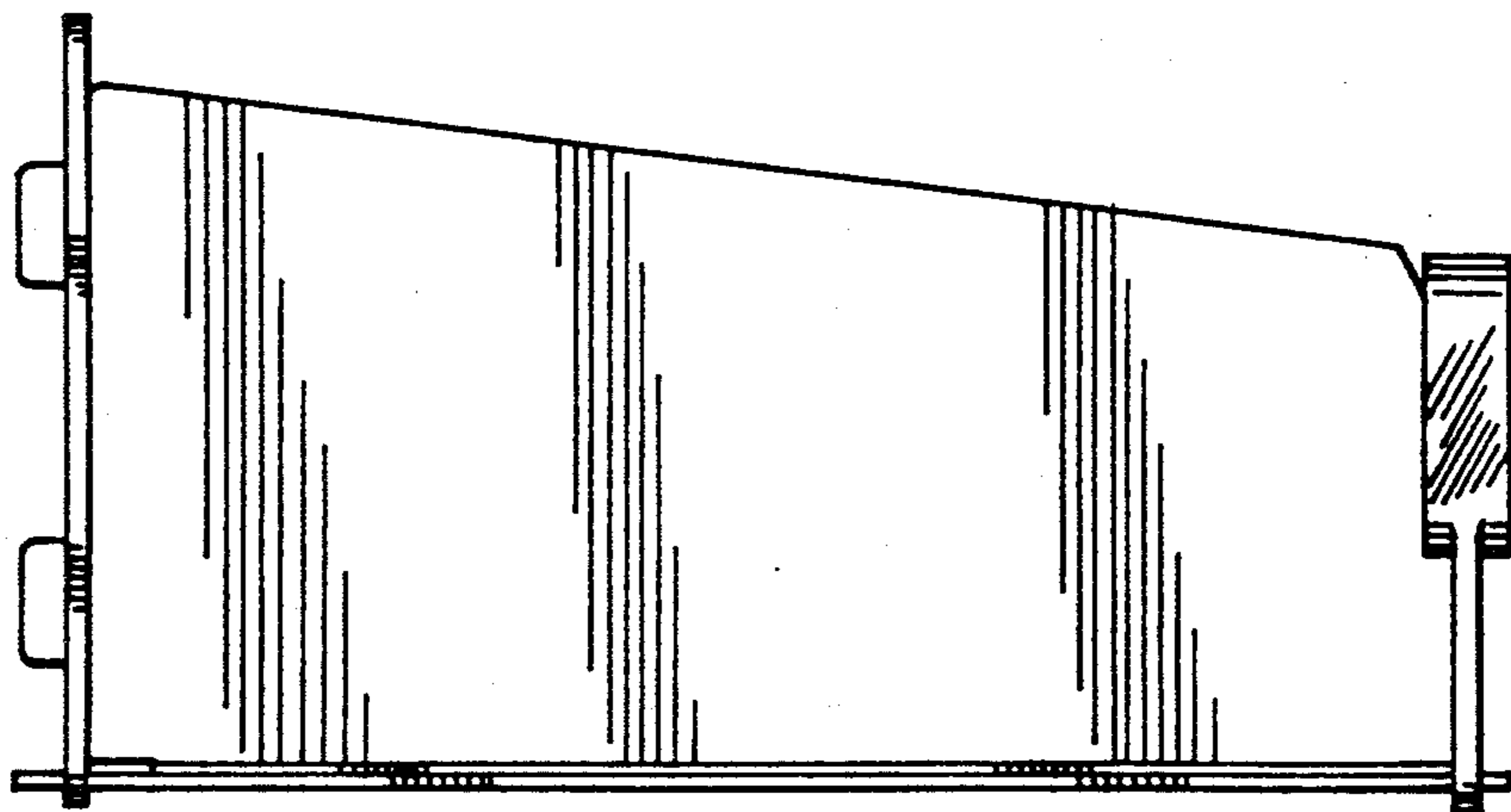


FIG. 9

UNITED STATES PATENT AND TRADEMARK OFFICE  
CERTIFICATE OF CORRECTION

PATENT NO. : Des. 323,180

DATED : January 14, 1992

INVENTOR(S) : Timothy H. Bush

Page 1 of 2

It is certified that error appears in the above-identified patent and that said Letters Patent is hereby corrected as shown below:

On the title page, item [54] in the title of the invention, please delete "STERESCOPIC" and substitute therefor --STEREOSCOPIC--.

On the title page, Item [22] in the filing date of the invention, please delete "Sep. 15, 1988" and substitute therefore --Sep. 15, 1989--.

IN THE REFERENCES CITED

On page 1, column 2, before "OTHER PUBLICATIONS" please insert

--FOREIGN PATENT DOCUMENTS

751,660 6/1933 France.....350/140--

UNITED STATES PATENT AND TRADEMARK OFFICE  
CERTIFICATE OF CORRECTION

PATENT NO. : Des. 323,180

DATED : January 14, 1992

INVENTOR(S) : Timothy H. Bush

Page 2 of 2

It is certified that error appears in the above-identified patent and that said Letters Patent is hereby corrected as shown below:

column 2, lines 1 and 2 of the Description,  
please delete "of a stereoscopic viewer".

Signed and Sealed this  
Thirty-first Day of August, 1993

Attest:



BRUCE LEHMAN

Attesting Officer

Commissioner of Patents and Trademarks