



US00D323175S

United States Patent [19]

Jones et al.

[11] Patent Number: **Des. 323,175**

[45] Date of Patent: **** Jan. 14, 1992**

[54] PAPER SUNGLASSES

[75] Inventors: **Craig T. Jones**, Aurora; **David M. Vaughan**, Denver; **Brett J. Sackett**, Aurora, all of Colo.

[73] Assignee: **Day Shades USA, Inc.**, Denver, Colo.

[**] Term: **14 Years**

[21] Appl. No.: **427,309**

[22] Filed: **Oct. 25, 1989**

[52] U.S. Cl. **D16/102**

[58] Field of Search **D16/102, 104, 111, 112, D16/115, 116, 117, 118, 119, 122, 125, 127, 128; D21/240; 351/41, 44, 51, 57, 59, 83, 91, 103, 111; 2/426, 427, 431, 438, 439, 448, 449**

[56] References Cited

U.S. PATENT DOCUMENTS

D. 98,520	2/1936	Houser	D16/111
D. 114,800	5/1939	Simon	D16/111
D. 178,873	10/1956	Eloranta	D16/102
D. 242,342	11/1976	Derkas	D16/111
4,703,522	11/1987	Schürle et al.	351/44
4,963,013	10/1990	Bononi	351/111

OTHER PUBLICATIONS

Popular Mechanics, Feb. 1954, p. 274.
Optometric Monthly, Apr. 1985, p. 127.

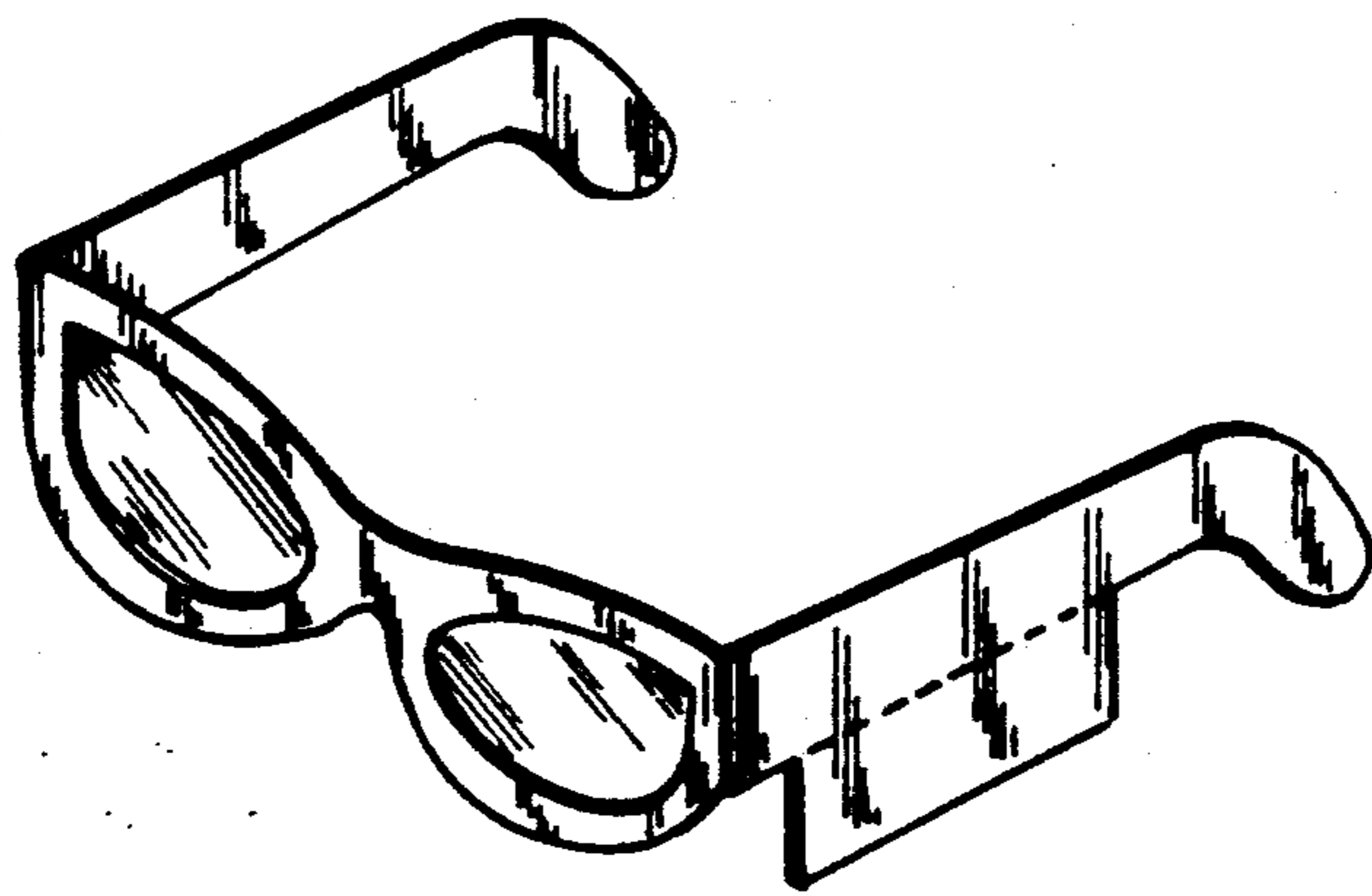
Primary Examiner—Bernard Ansher
Assistant Examiner—R. Barkai
Attorney, Agent, or Firm—Robert G. Crouch; Gregg I. Anderson

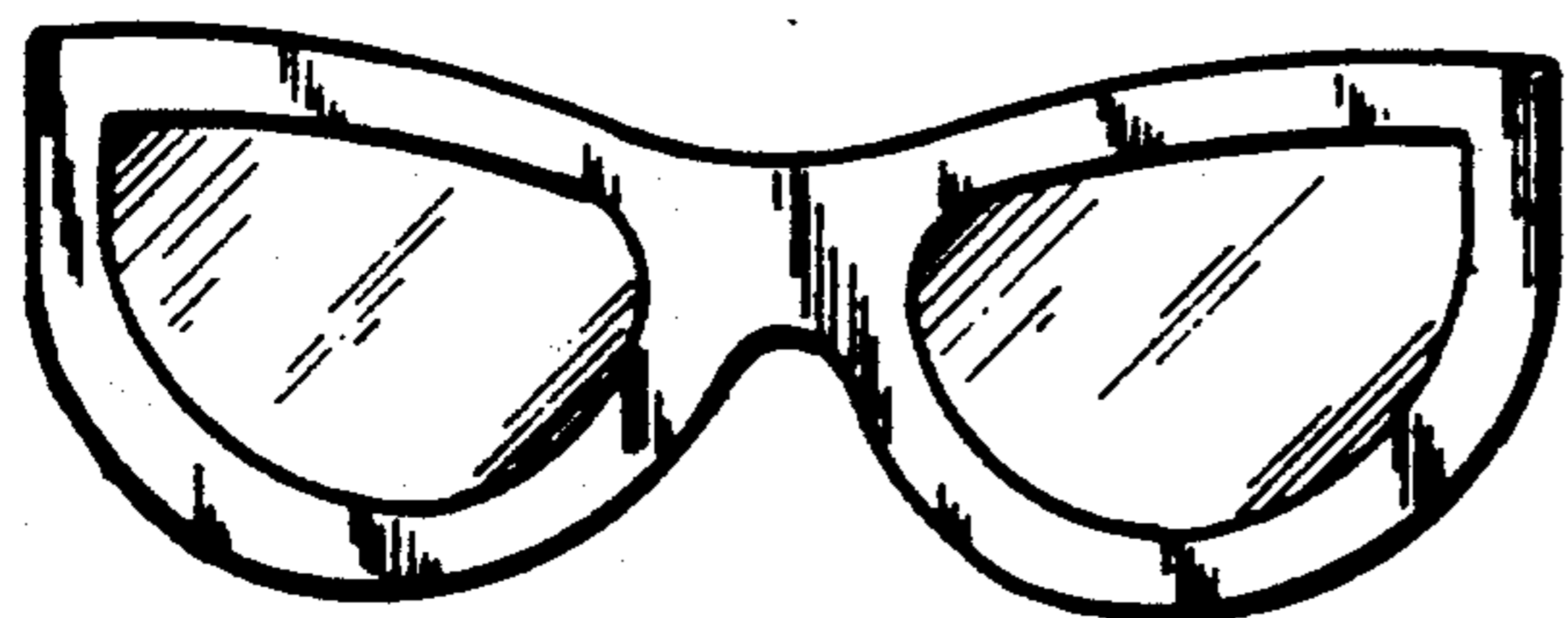
[57] CLAIM

The ornamental design for paper sunglasses, as shown and described.

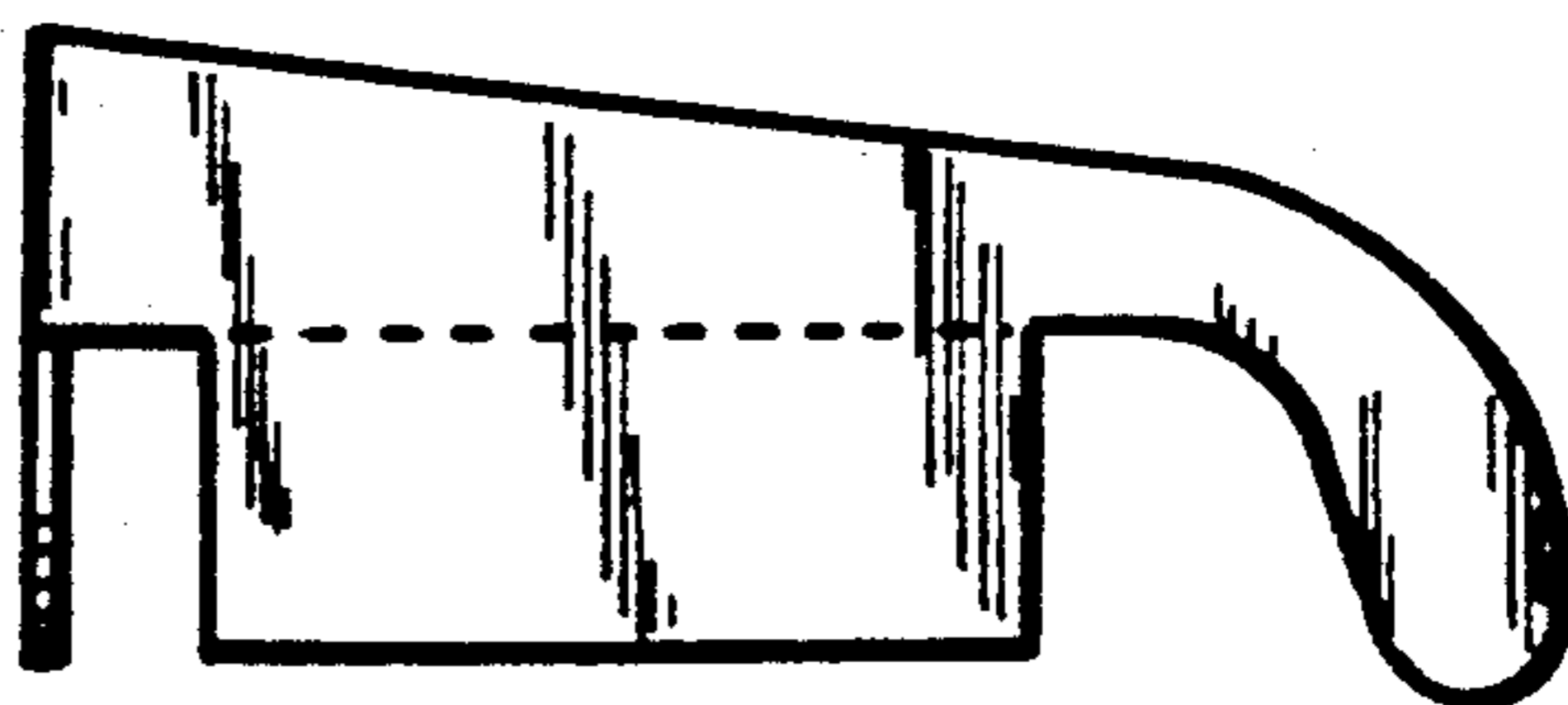
DESCRIPTION

FIG. 1 is a front elevational view of paper sunglasses showing our new design;
FIG. 2 is a side elevational view thereof;
FIG. 3 is a side elevational view of the side opposite that in FIG. 2;
FIG. 4 is a rear elevational view thereof;
FIG. 5 is a top plan view thereof;
FIG. 6 is a perspective view thereof; and
FIG. 7 is a perspective view of a modified embodiment of the design shown in FIGS. 1-6.

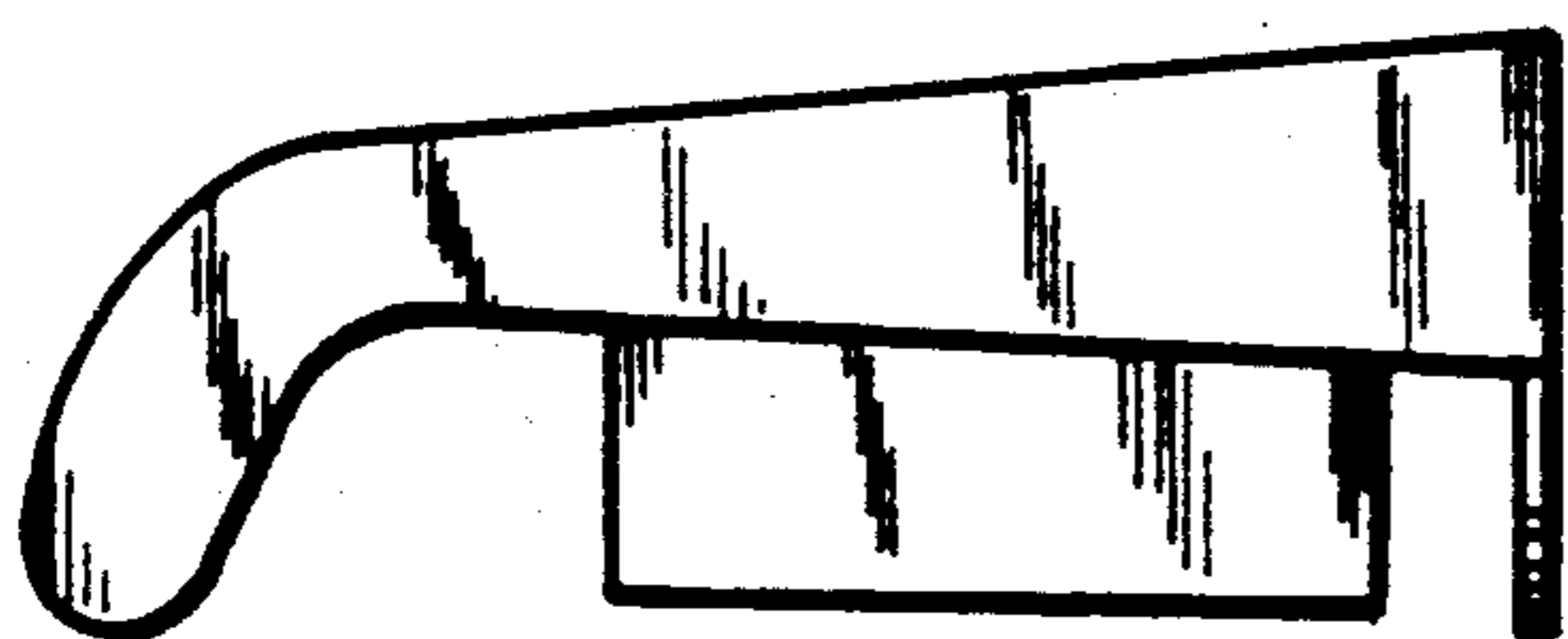




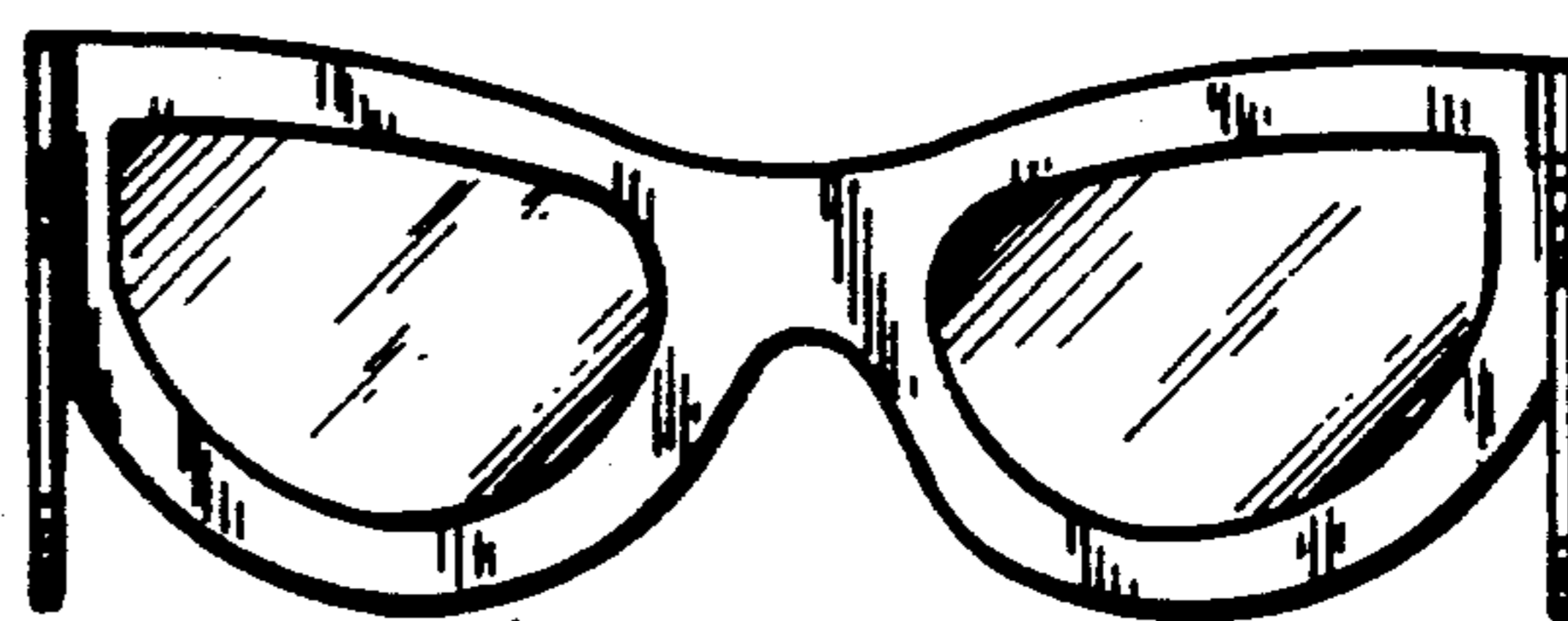
Fig_1



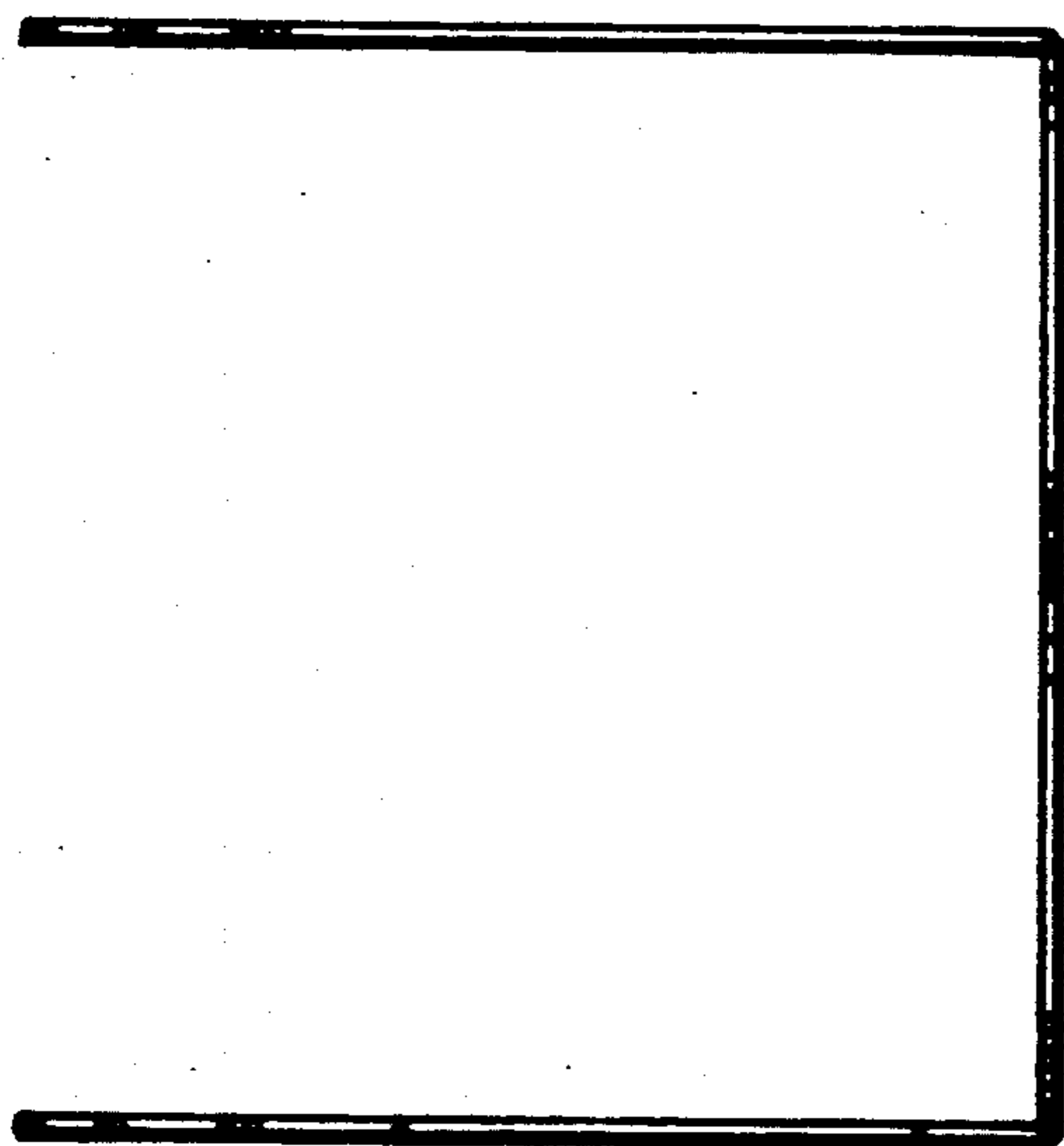
Fig_2



Fig_3



Fig_4



Fig_5

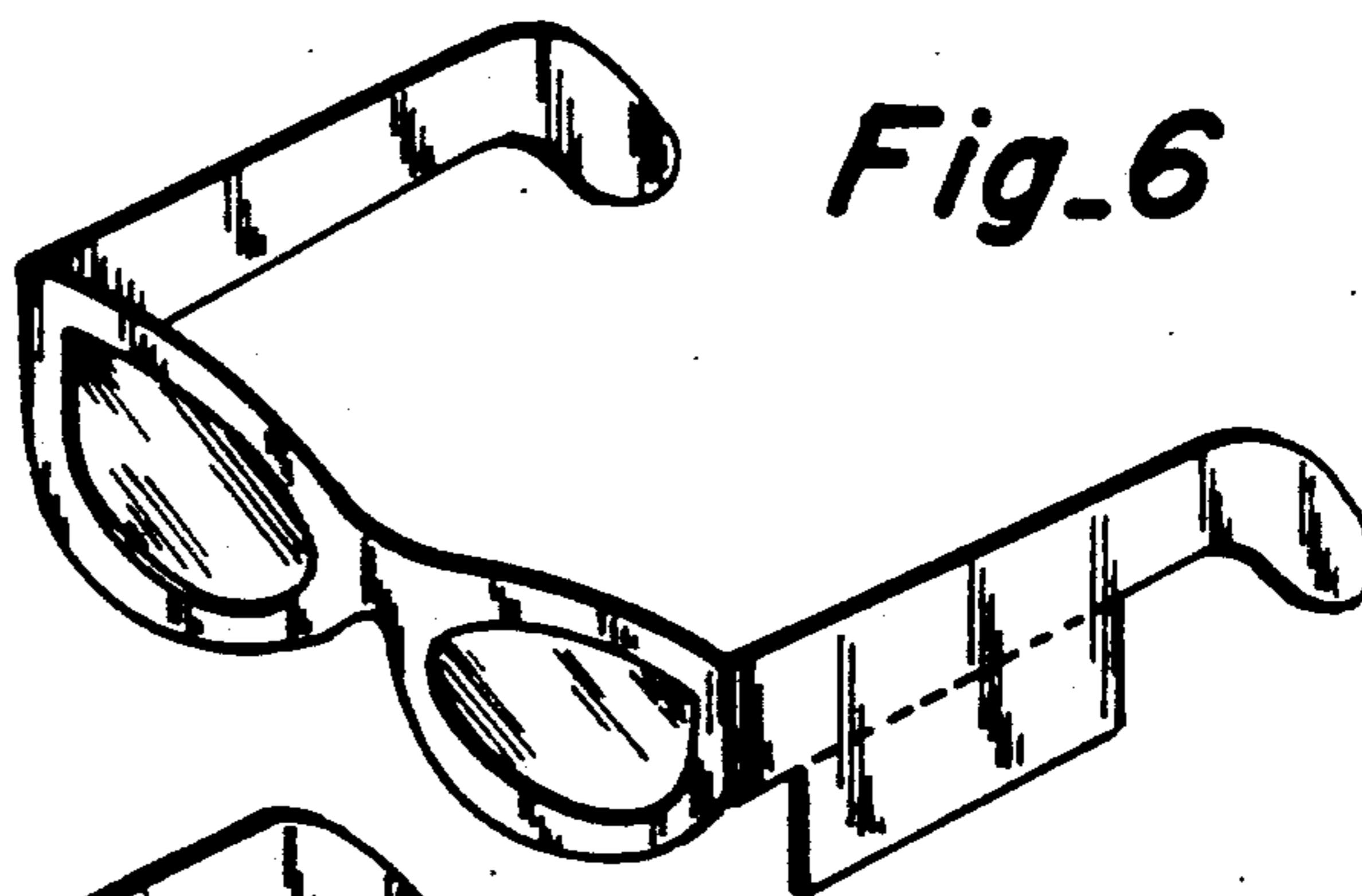
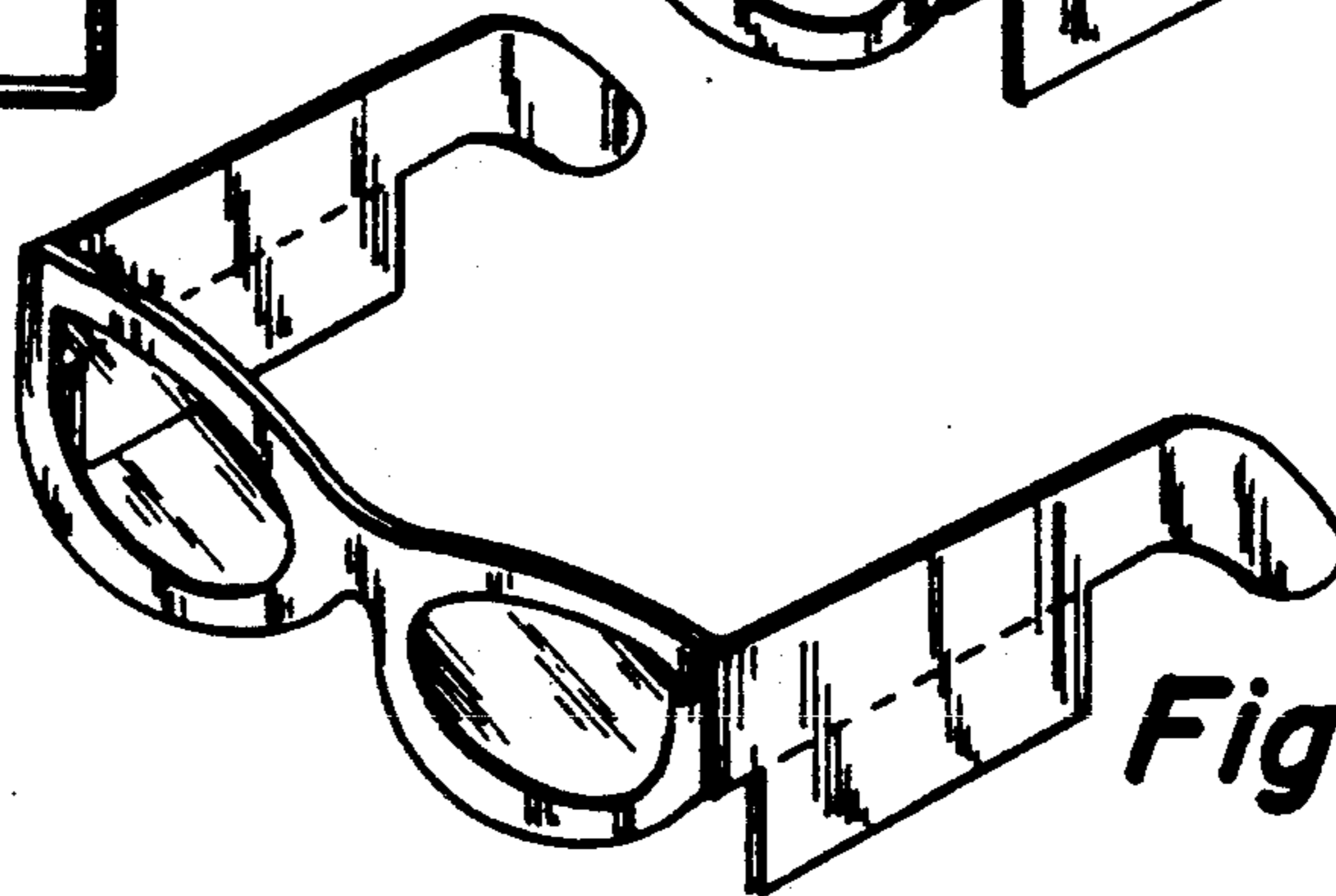


Fig.6



Fig_7