



US00D323172S

United States Patent [19]

Yanagisawa

[11] Patent Number: Des. 323,172

[45] Date of Patent: ** Jan. 14, 1992

[54] SECOND DIMENSIONAL DRIVE UNIT FOR X-Y SLIDER

[76] Inventor: Ken Yanagisawa, 5175-1, Ooaza Toyoshina, Toyoshina-machi, Minamiazumi-gun, Nagano-ken, Japan

[**] Term: 14 Years

[21] Appl. No.: 344,045

[22] Filed: Apr. 27, 1989

[52] U.S. Cl. D15/140; D8/71

[58] Field of Search D14/100-117; D10/46, 63; 33/1 M, 18.2, 432, 434, 438; 364/520; 178/18, 19; 346/139 R, 139 B; 358/296; 108/143; 74/479, 89.15; 901/16; D15/140; D8/71

[56] **References Cited**

U.S. PATENT DOCUMENTS

2,847,859	8/1958	Lynott	33/1 M
2,857,032	10/1958	Johnson et al.	33/1 M X
3,155,383	11/1964	Whitmore	108/143
3,422,538	1/1969	Panissidi	33/1 M
3,628,497	12/1971	Neu	33/1 M X

4,006,645	2/1977	Newell	74/479
4,171,657	10/1979	Halberschmidt et al.	33 1 M X/4,729,536
4,729,536	3/1988	Scala	74/479 X
4,995,277	2/1991	Yanagisawa	33/1 M X

Primary Examiner—Wallace R. Burke
Assistant Examiner—Freda S. Nunn

[57] **CLAIM**

The ornamental design for a second dimensional drive unit for X-Y slider, as shown and described.

DESCRIPTION

FIG. 1 is a slightly reduced top rear left side perspective view of a second dimensional drive unit for X-Y slider showing my new design; FIG. 2 is a top plan view thereof; FIG. 3 is a bottom plan view thereof; FIG. 4 is a front elevational view thereof; FIG. 5 is a rear elevational view thereof; FIG. 6 is a right side elevational view thereof; and FIG. 7 is a left side elevational view thereof. The broken lines are shown in FIGS. 1-3 for illustrative purposes only and form no part of the claimed design. The drive unit is used to move and support workpieces which are to be machined.

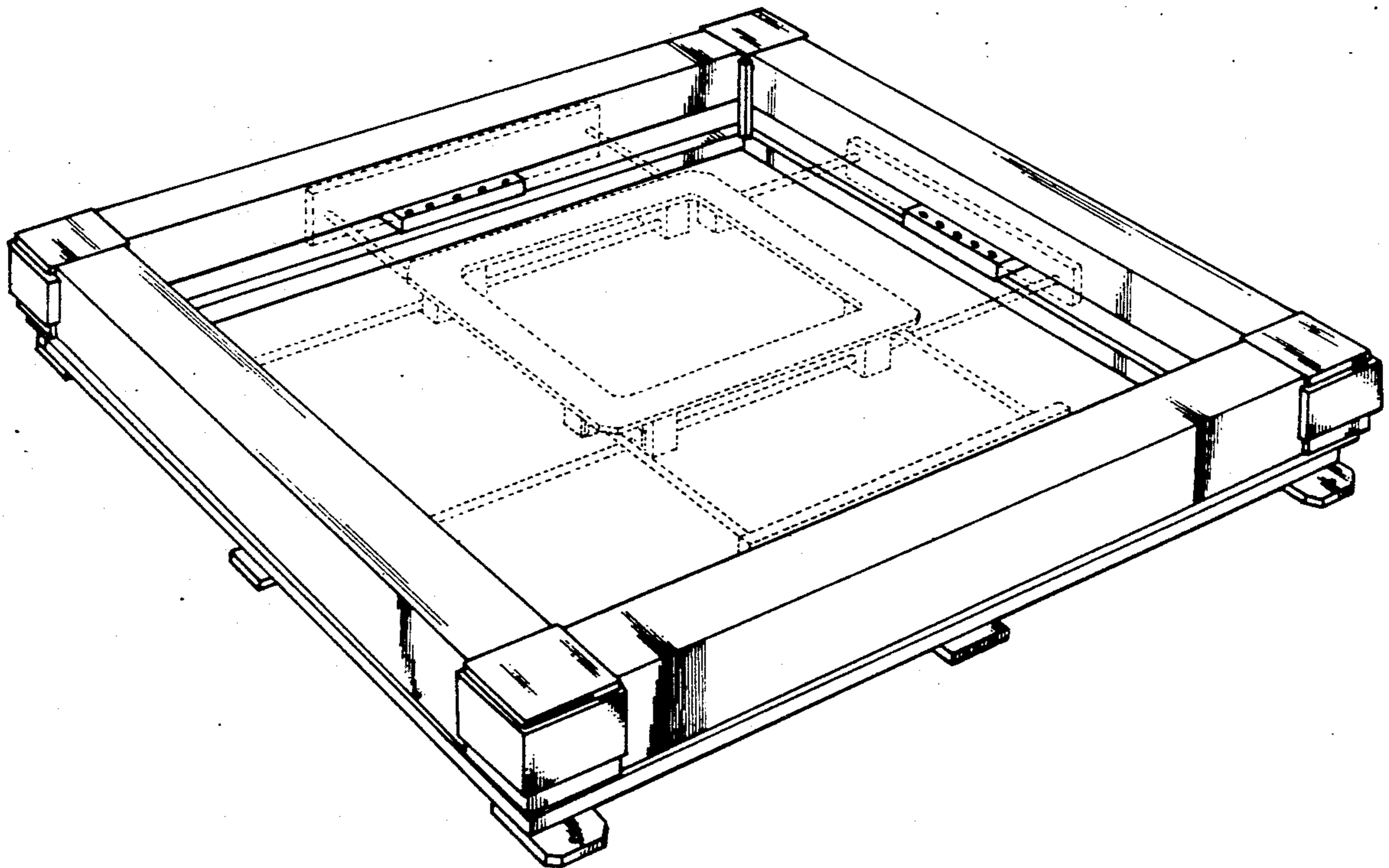


FIG.1

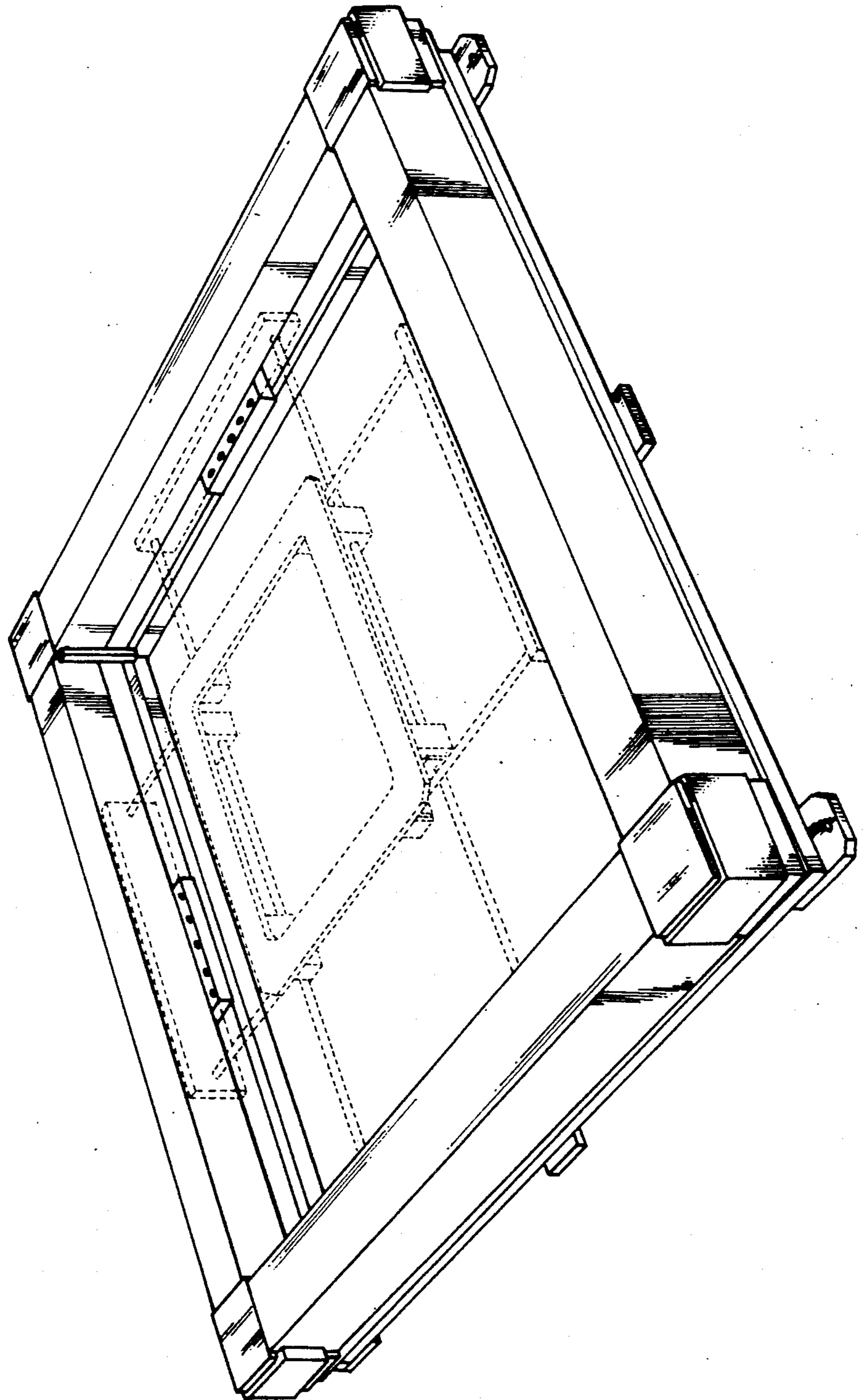


FIG. 2

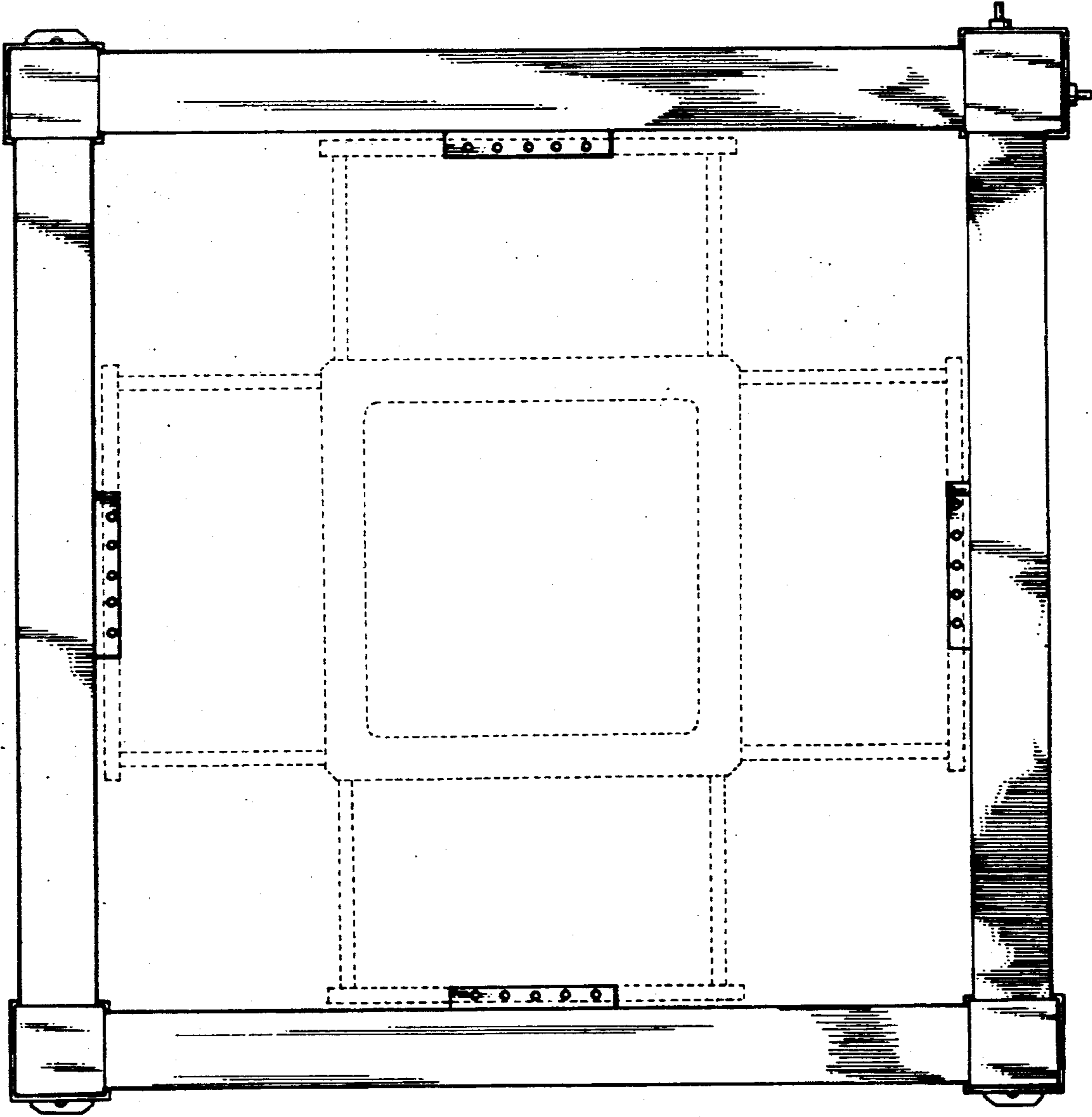


FIG. 3

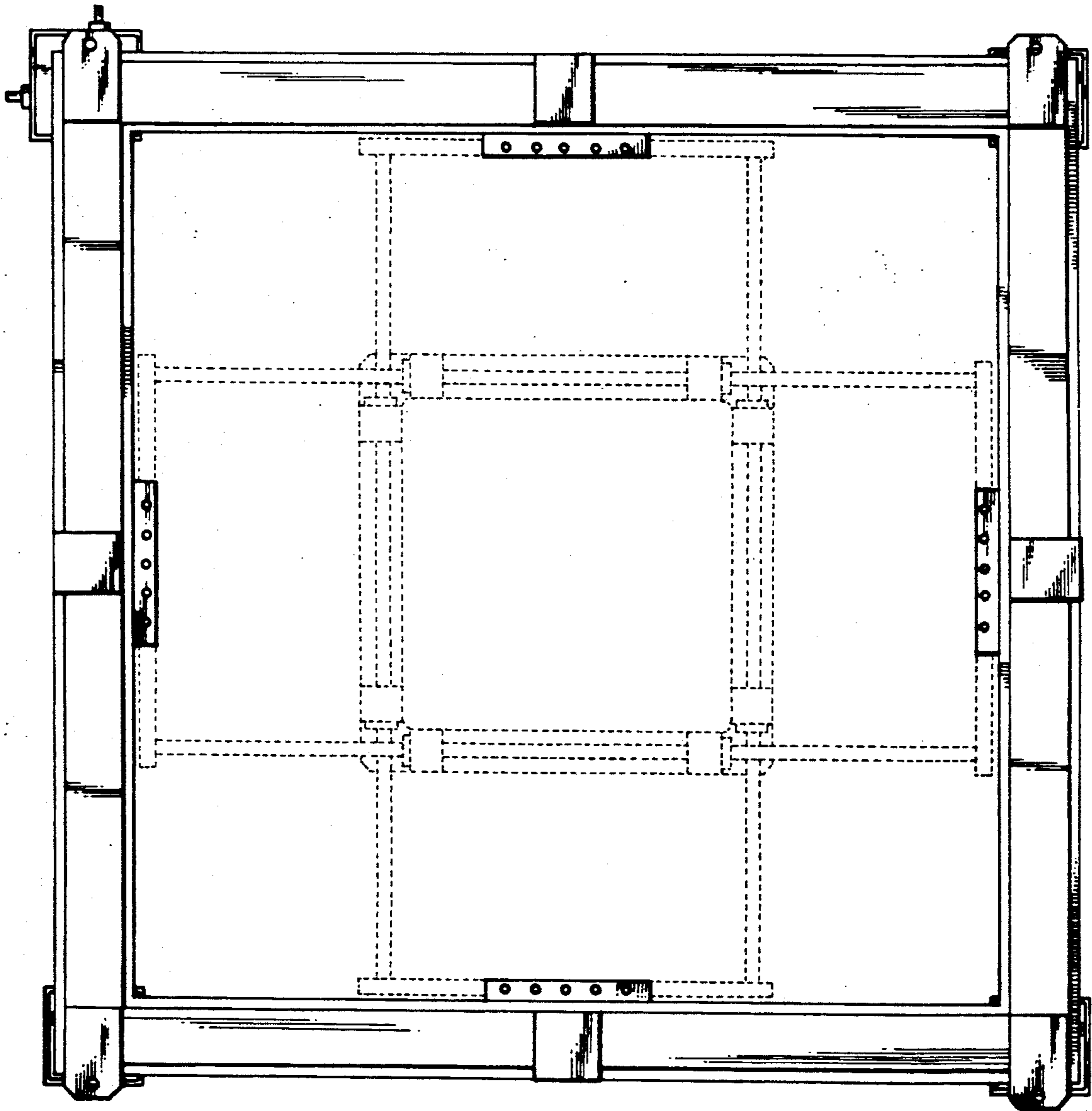


FIG. 4

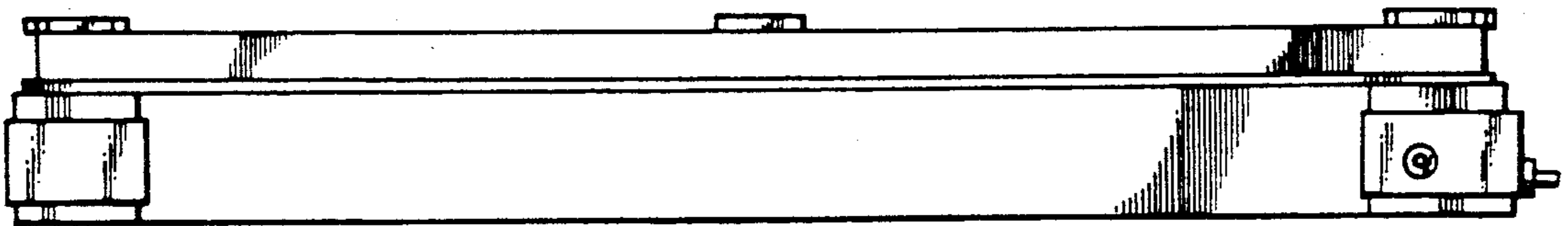


FIG. 5

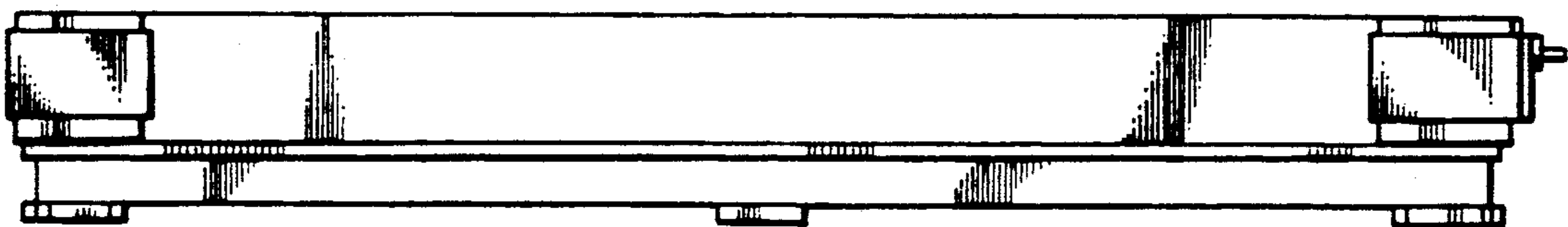


FIG. 6

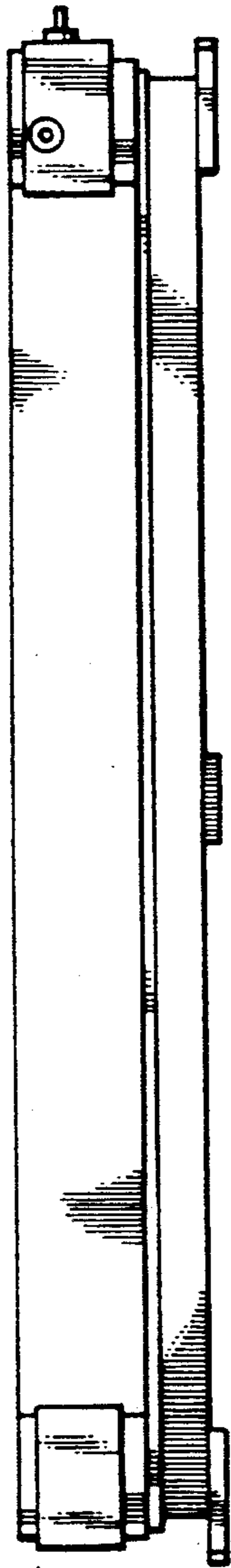


FIG. 7

