



US00D323171S

United States Patent [19]

[11] Patent Number: **Des. 323,171**

Wittman et al.

[45] Date of Patent: **** Jan. 14, 1992**

[54] **CAN CRUSHER**

4,333,397	6/1982	Modes	100/902 X
4,442,768	4/1984	Bailey	100/295 X
4,561,351	12/1985	Adec	100/295 X
4,976,196	12/1990	Phillips et al.	100/293 X

[75] Inventors: **Boyd Wittman; Barry L. Gregerson,**
both of Minn.

[73] Assignee: **Empak, Inc.,** Chanhassen, Minn.

Primary Examiner—Bruce W. Dunkins
Assistant Examiner—Antoine D. Davis
Attorney, Agent, or Firm—Haugen and Nikolai

[**] Term: **14 Years**

[57] **CLAIM**

[21] Appl. No.: **403,806**

The ornamental design for a can crusher, as shown.

[22] Filed: **Sep. 7, 1989**

DESCRIPTION

[52] U.S. Cl. **D15/123**

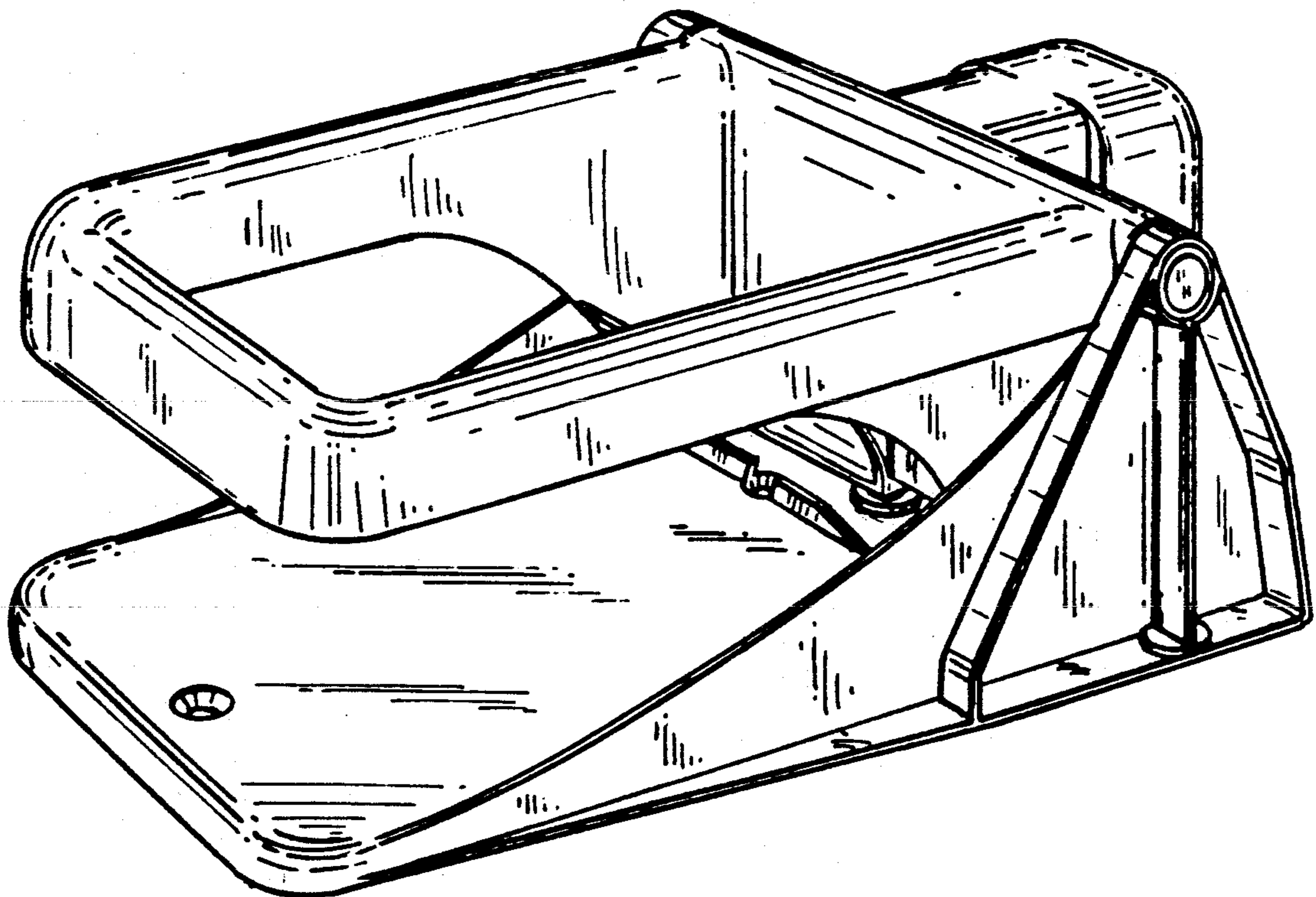
[58] Field of Search **D15/122, 123; 100/137,**
100/293, 295, 902; D19/72

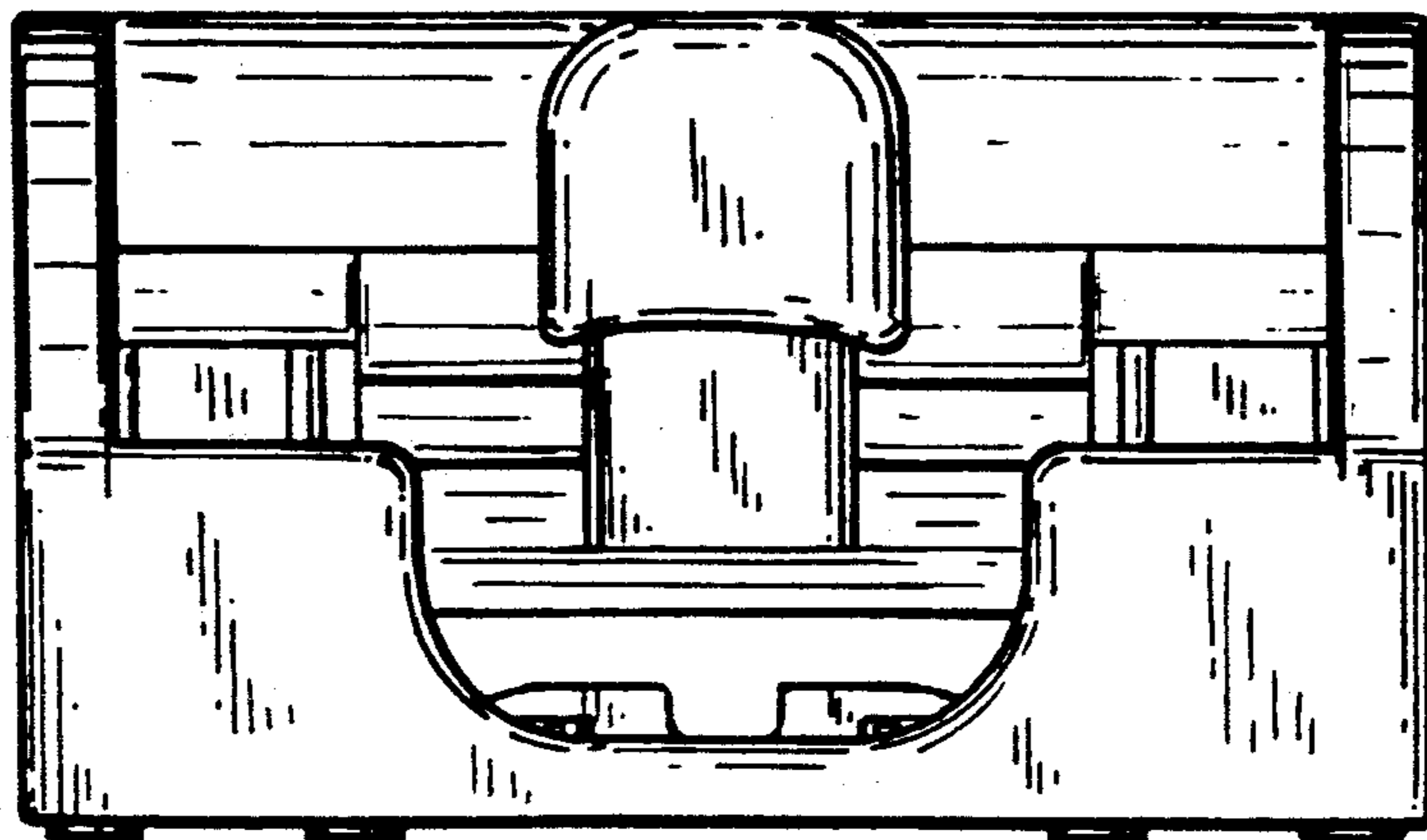
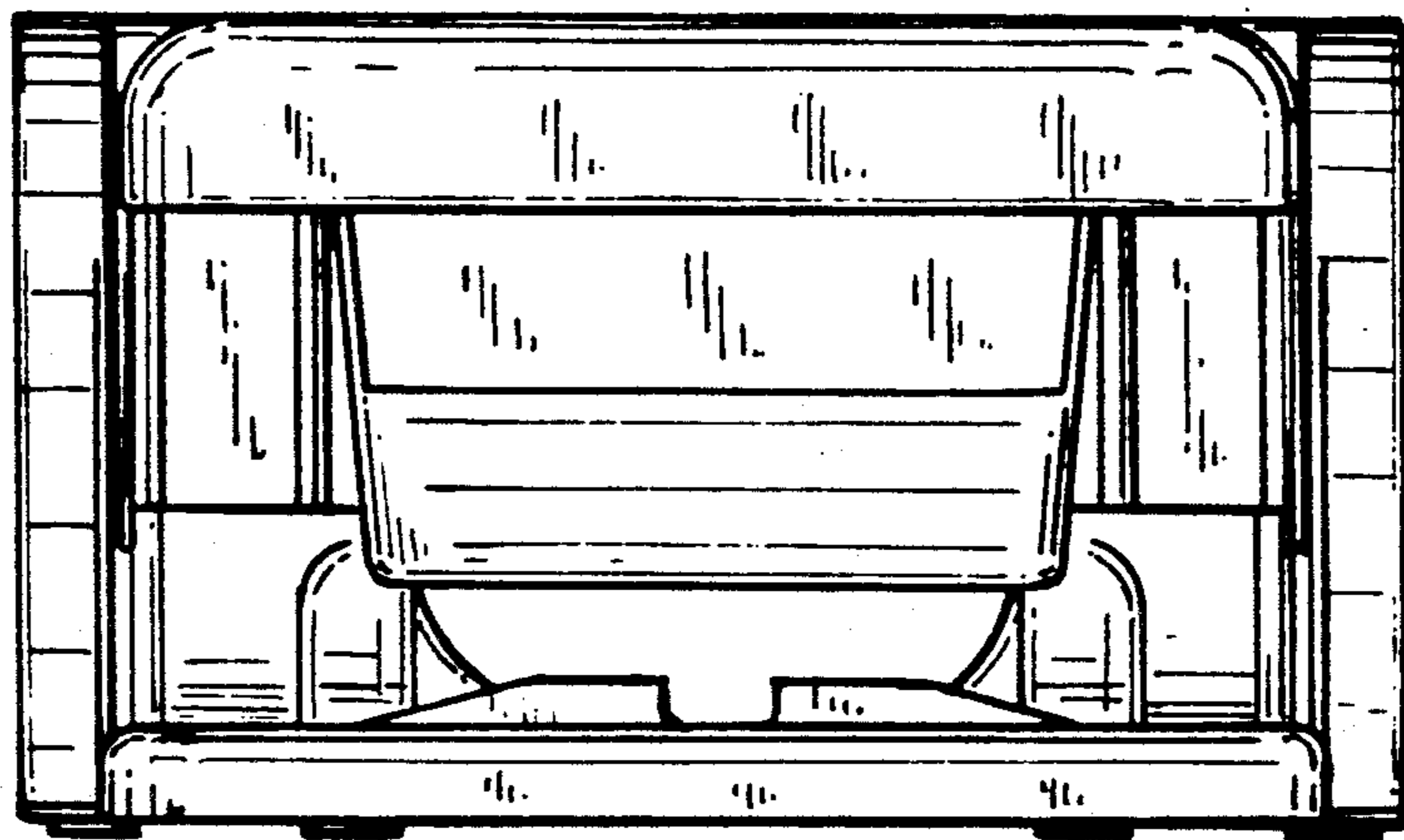
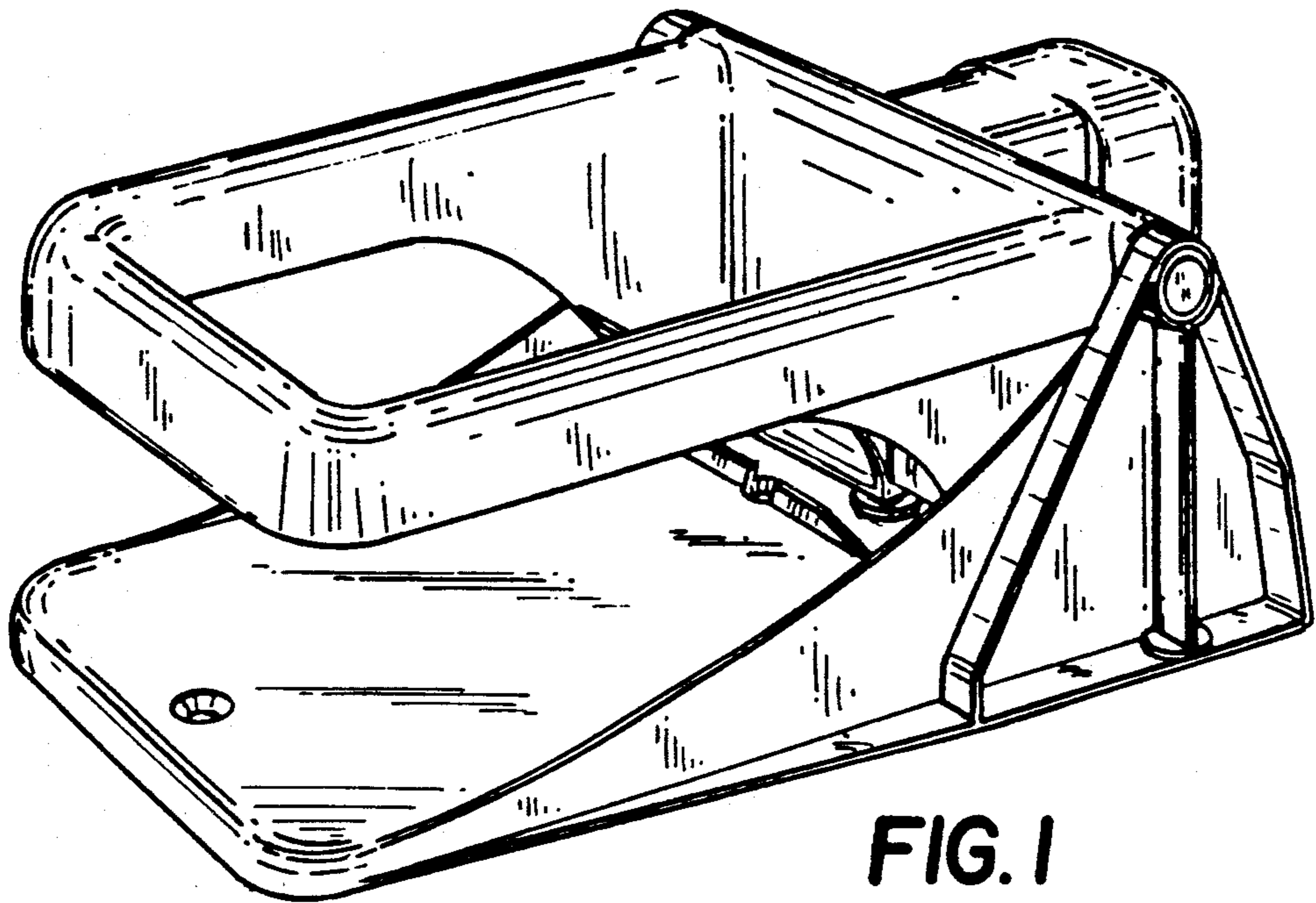
FIGS. 1 is a top, front and right side perspective view of a can crusher showing our new design; FIG. 2 is a front elevational view; FIG. 3 is a rear elevational view; FIG. 4 is a right side elevational view; FIG. 5 is a left side elevational view; FIG. 6 is a top plan view; and FIG. 7 is a bottom plan view thereof. FIGS. 4-7 have been drawn to a reduced scale with respect to FIG. 1.

[56] **References Cited**

U.S. PATENT DOCUMENTS

D. 268,761	4/1983	Brown	D15/123
2,466,907	4/1949	Nabolny et al.	100/902 X
2,800,160	7/1957	Wilson et al.	100/902 X
3,948,164	4/1976	Pobuda et al.	100/293 X
4,213,387	7/1980	McCaney et al.	100/295 X





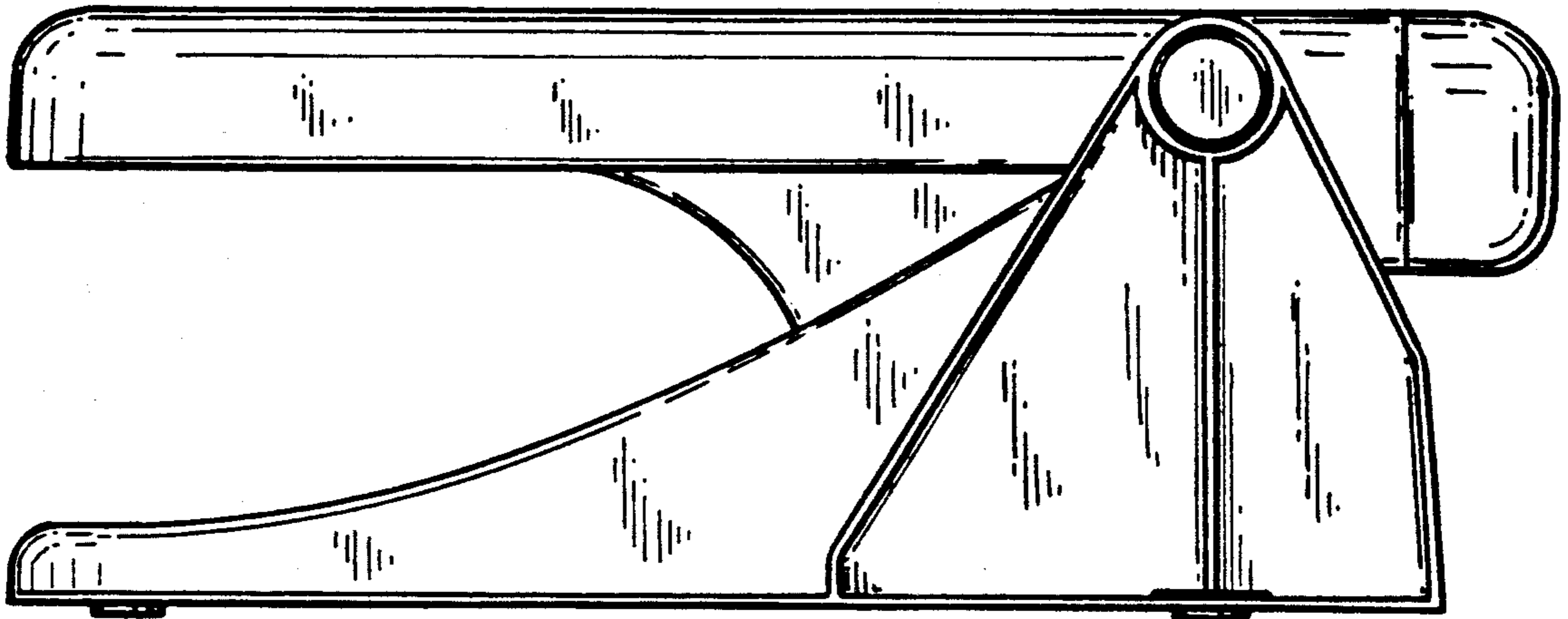


FIG. 4

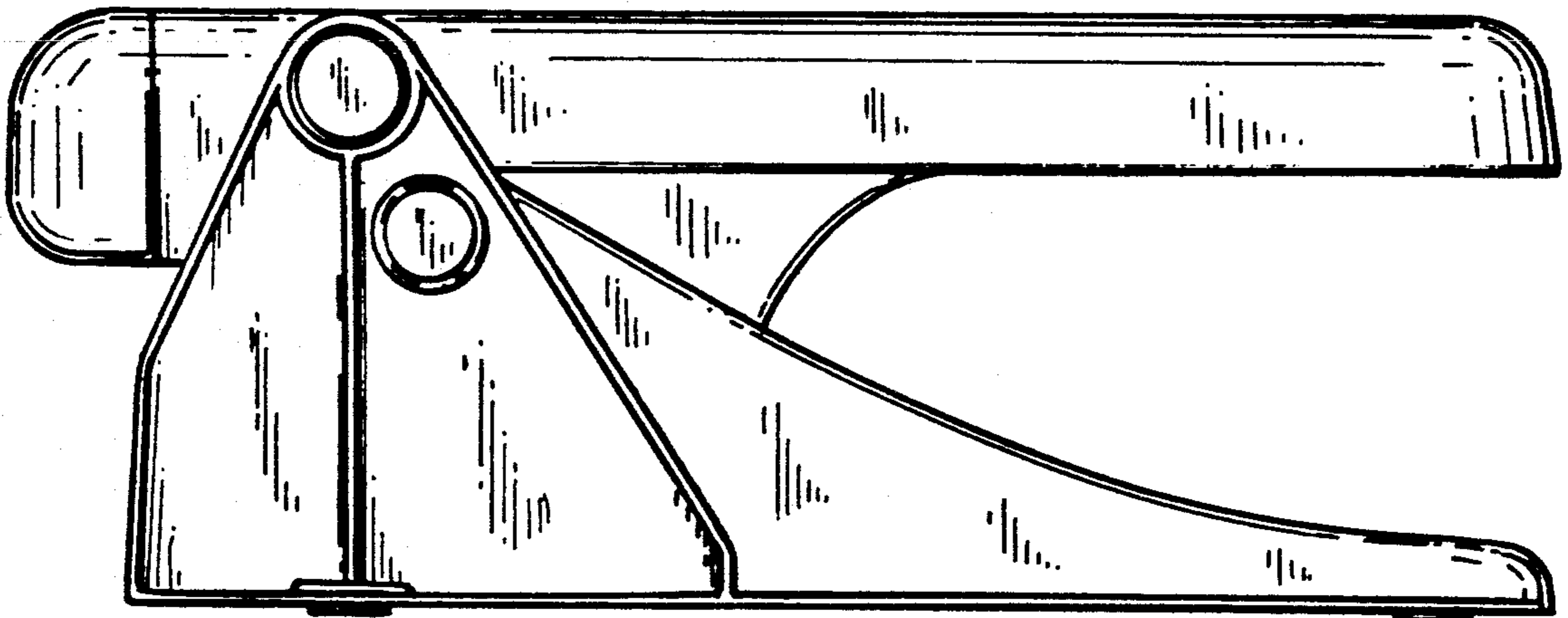


FIG. 5

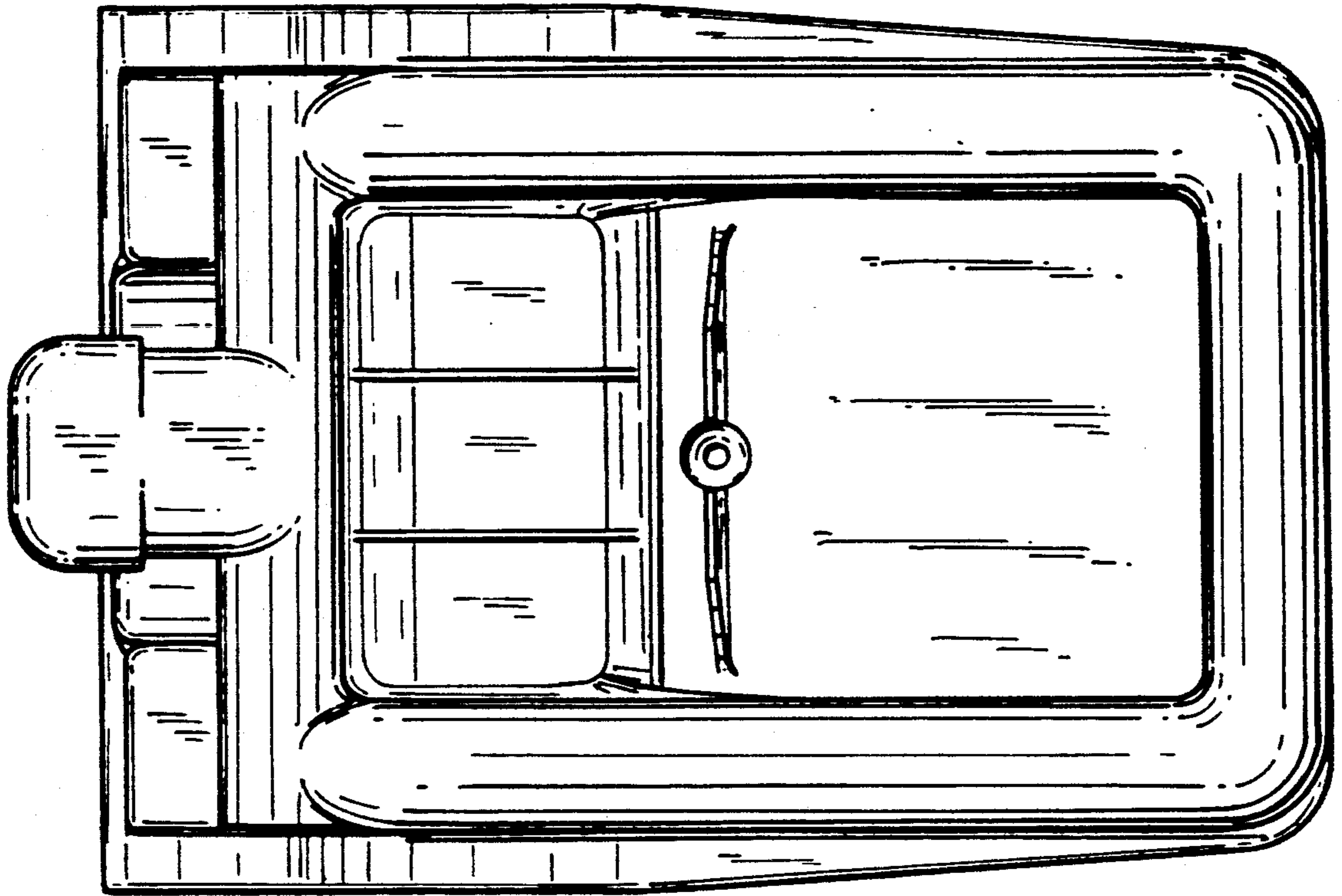


FIG. 6

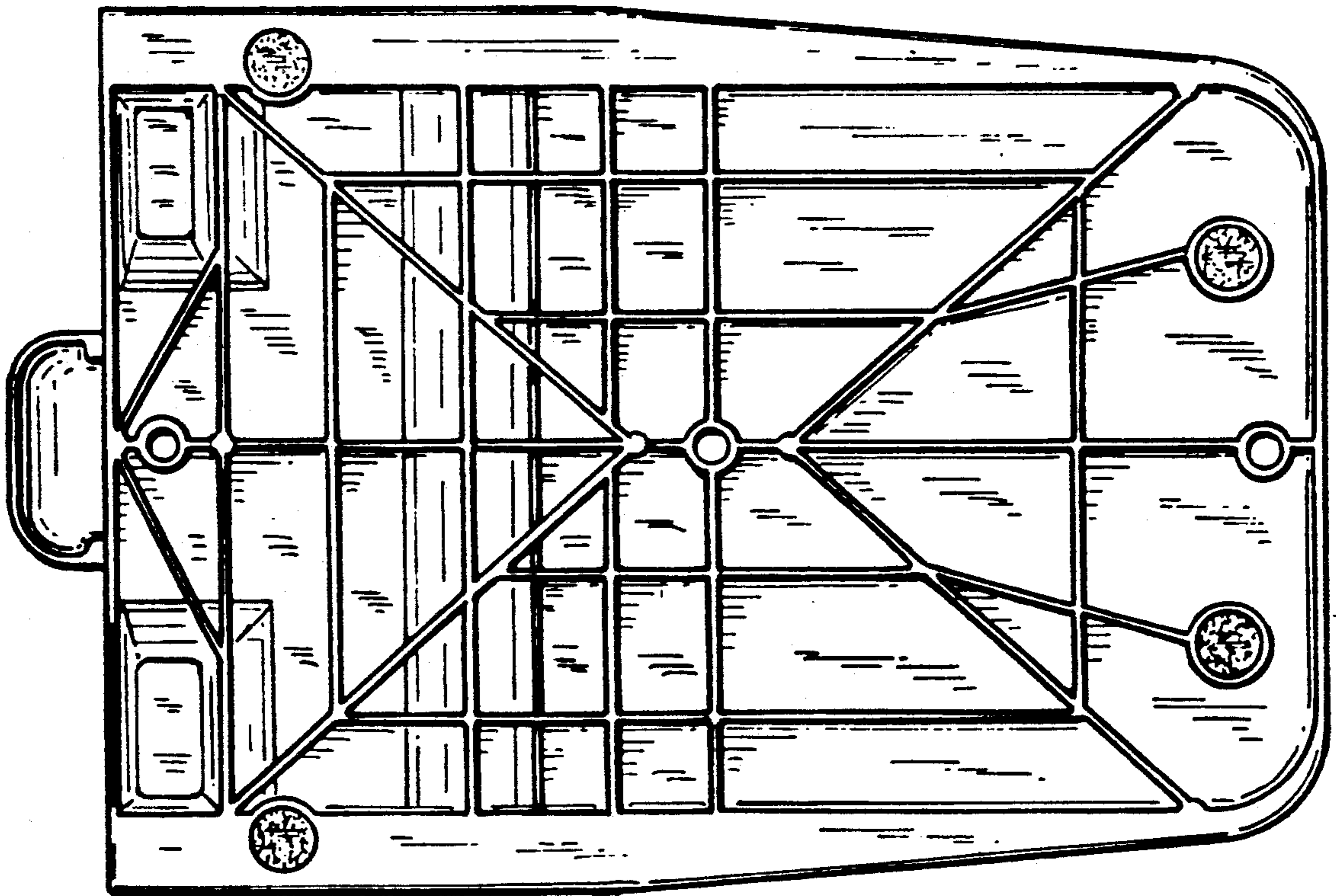


FIG. 7