



US00D323170S

United States Patent [19]

Takahashi

[11] Patent Number: **Des. 323,170**

[45] Date of Patent: **** Jan. 14, 1992**

[54] **CRUSHER FOR USE WITH A POWER SHOVEL**

[75] Inventor: **Toshifumi Takahashi,**
Yamatokoriyama, Japan

[73] Assignee: **Nippon Pneumatic Manufacturing Co., Ltd.,** Osaka, Japan

[**] Term: **14 Years**

[21] Appl. No.: **420,006**

[22] Filed: **Oct. 11, 1989**

[52] U.S. Cl. **D15/32; D15/28**

[58] Field of Search **D15/22-25, D15/28, 32; 37/117.5, 118 A; 144/2 N; 241/101.7; 254/127; 414/722, 729, 739**

[56] **References Cited**

U.S. PATENT DOCUMENTS

D. 306,599 3/1990 Hunter D15/32

4,403,431	9/1983	Ramun et al.	37/117.5
4,838,493	6/1989	LaBounty	241/101.7
4,890,798	1/1990	Tagawa et al.	241/101.7
4,897,014	1/1990	Tietze	414/729

Primary Examiner—Bernard Ansher
Assistant Examiner—Sandra Morris
Attorney, Agent, or Firm—Wenderoth, Lind & Ponack

[57] **CLAIM**

The ornamental design for a crusher for use with a power shovel, as shown.

DESCRIPTION

FIG. 1 is a front elevational view of a crusher for use with a power shovel, showing my new design; FIG. 2 is a rear elevational view thereof; FIG. 3 is a top plan view thereof; FIG. 4 is a bottom view thereof; FIG. 5 is a left side elevational view thereof; FIG. 6 is a right side elevational view thereof; and FIG. 7 is a perspective view thereof.

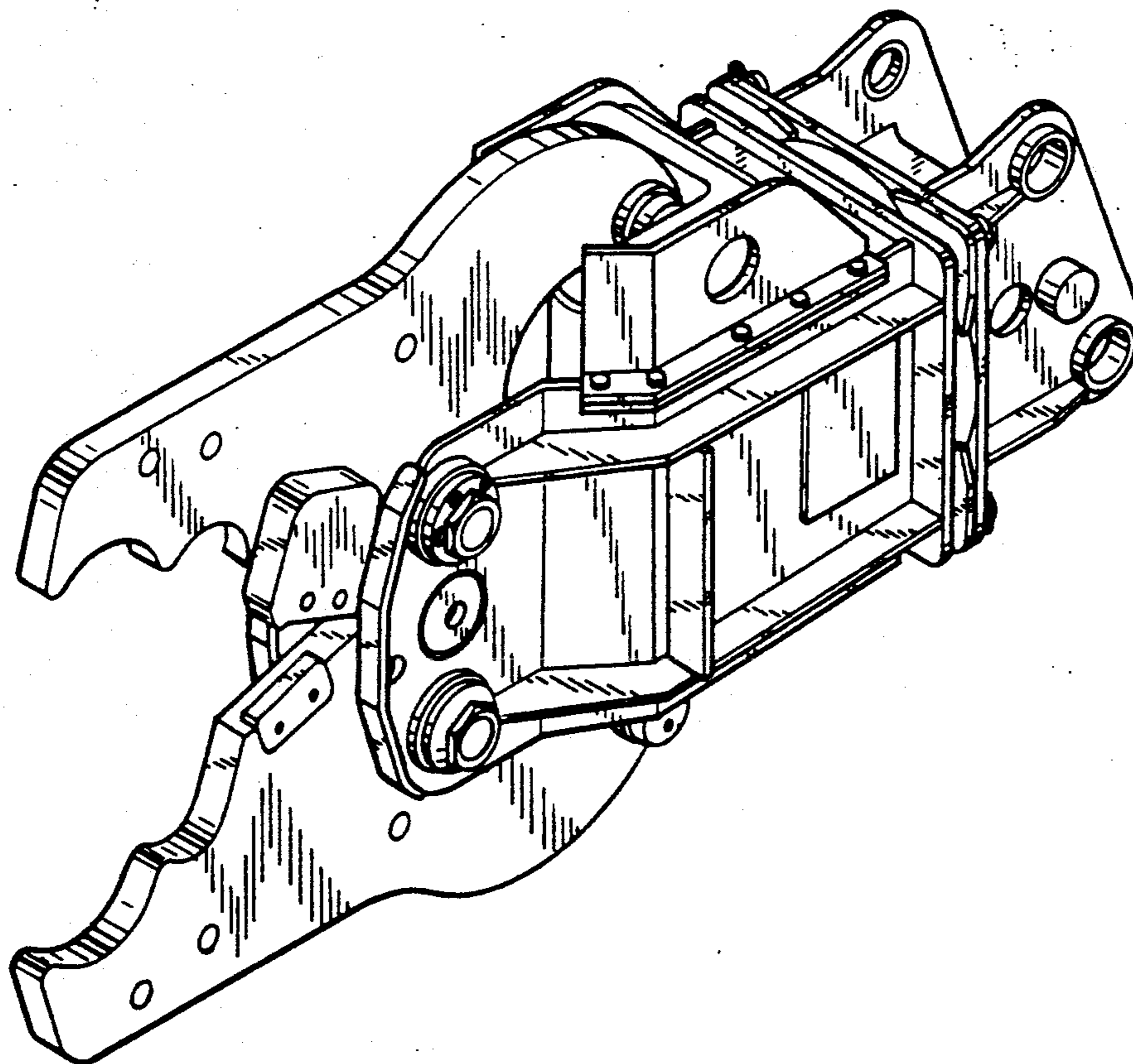


FIG. 1

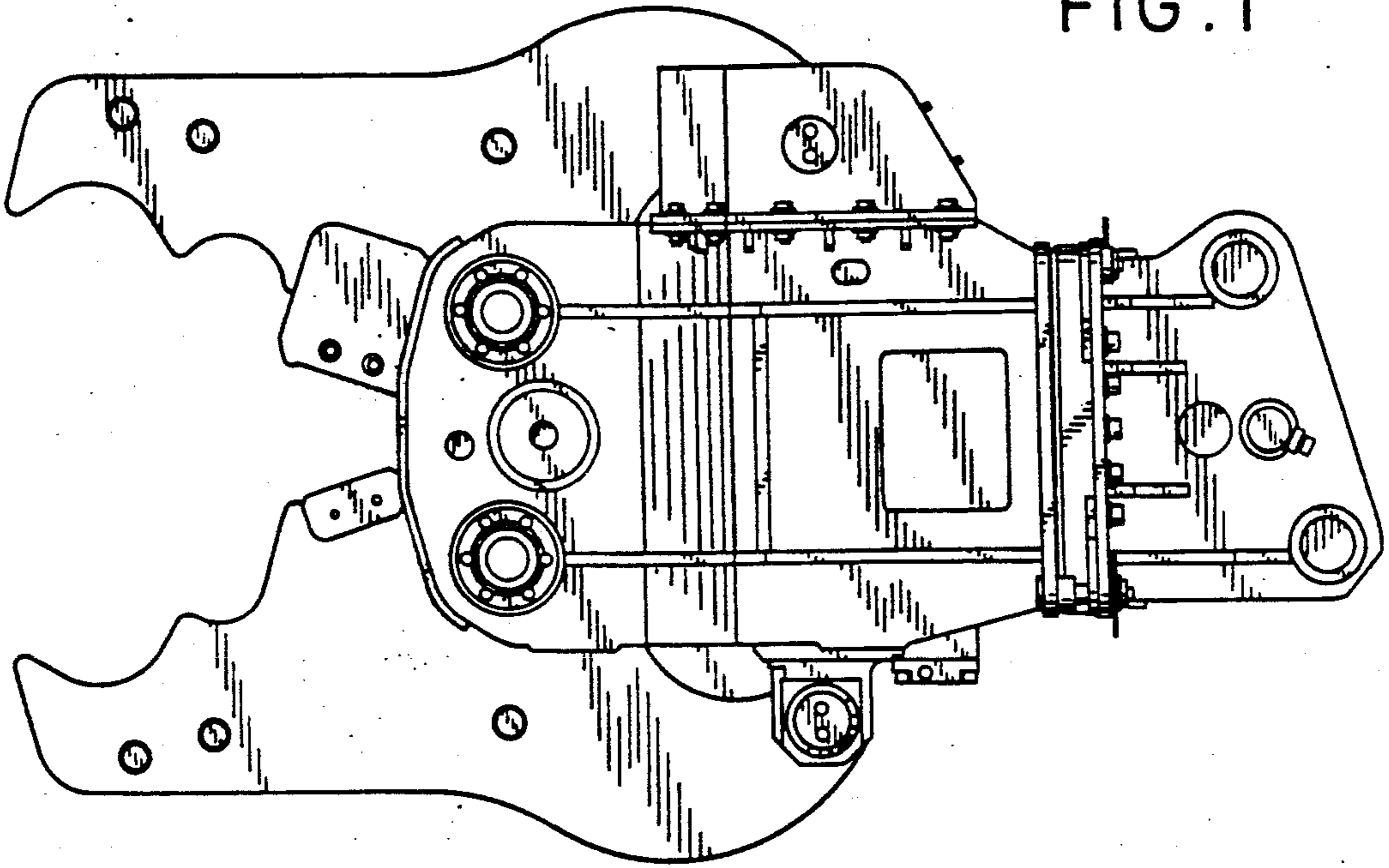


FIG. 2

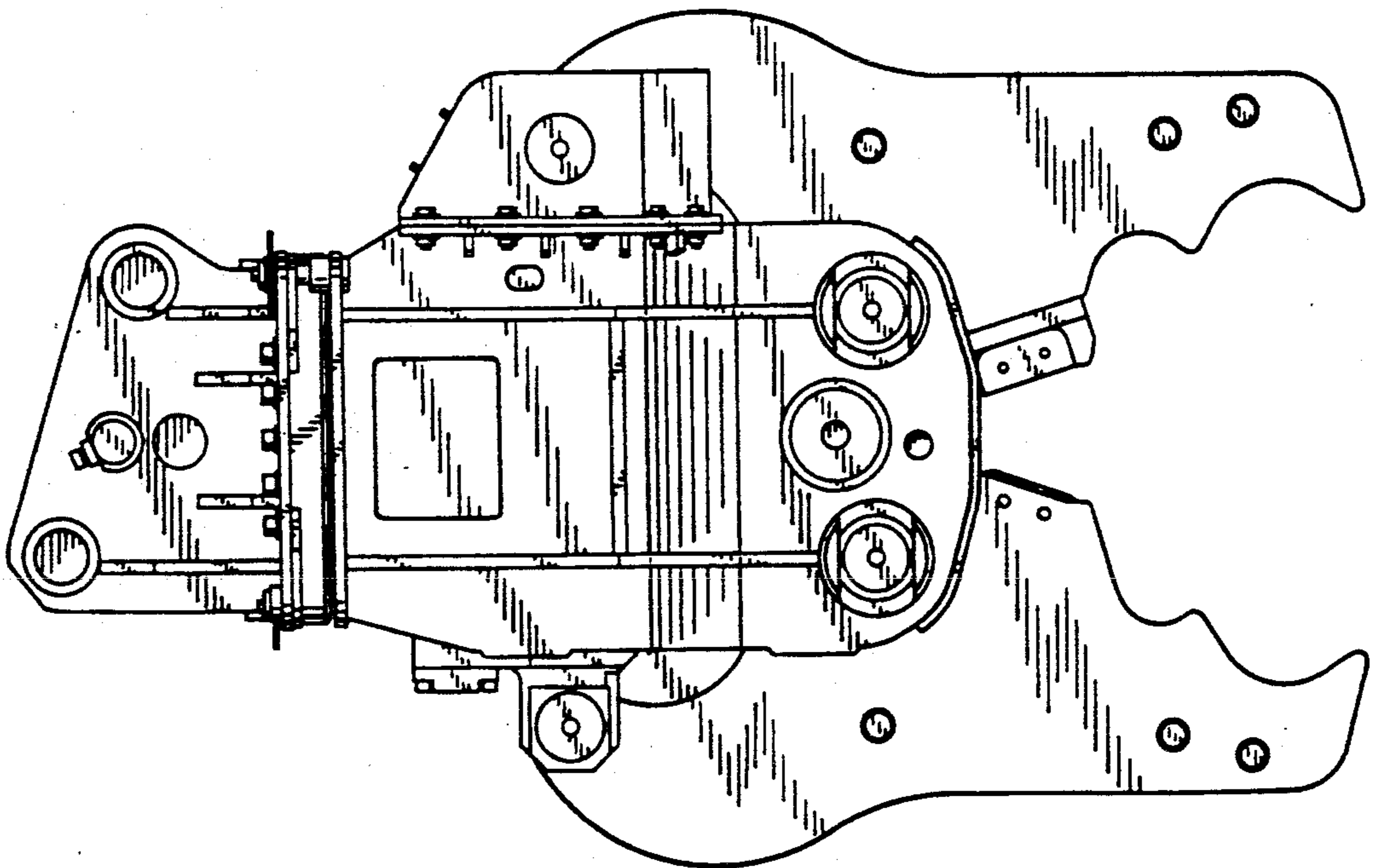


FIG. 3

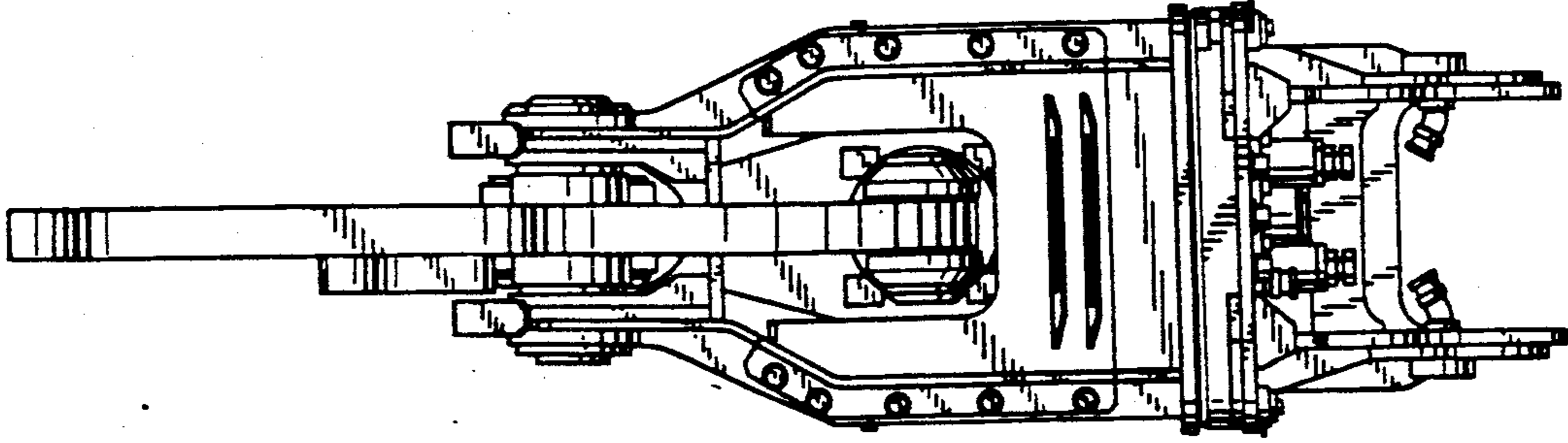


FIG. 4

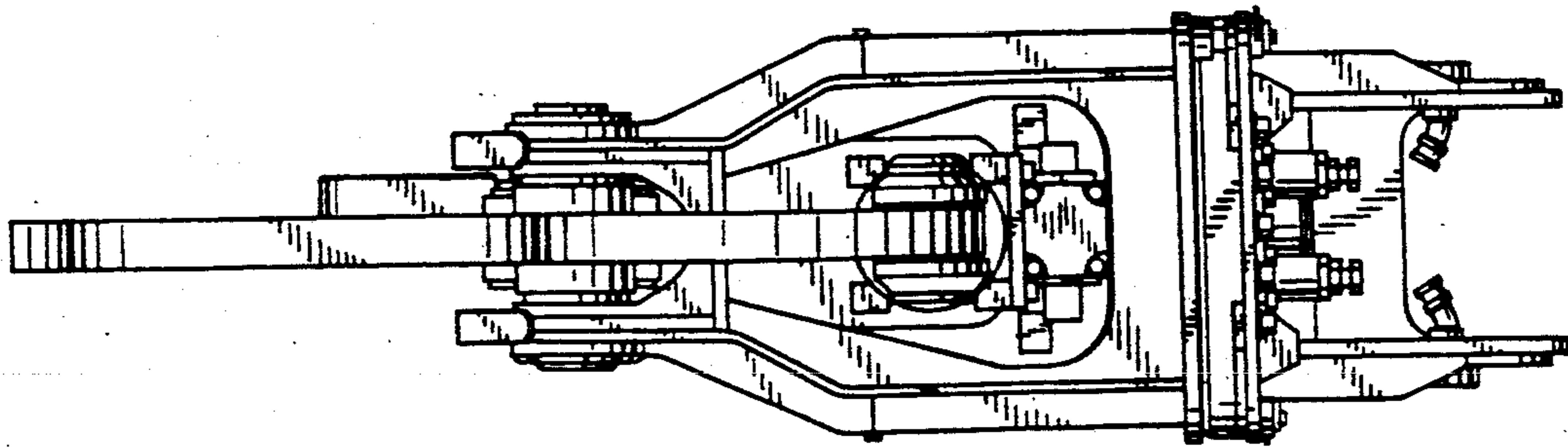


FIG. 5

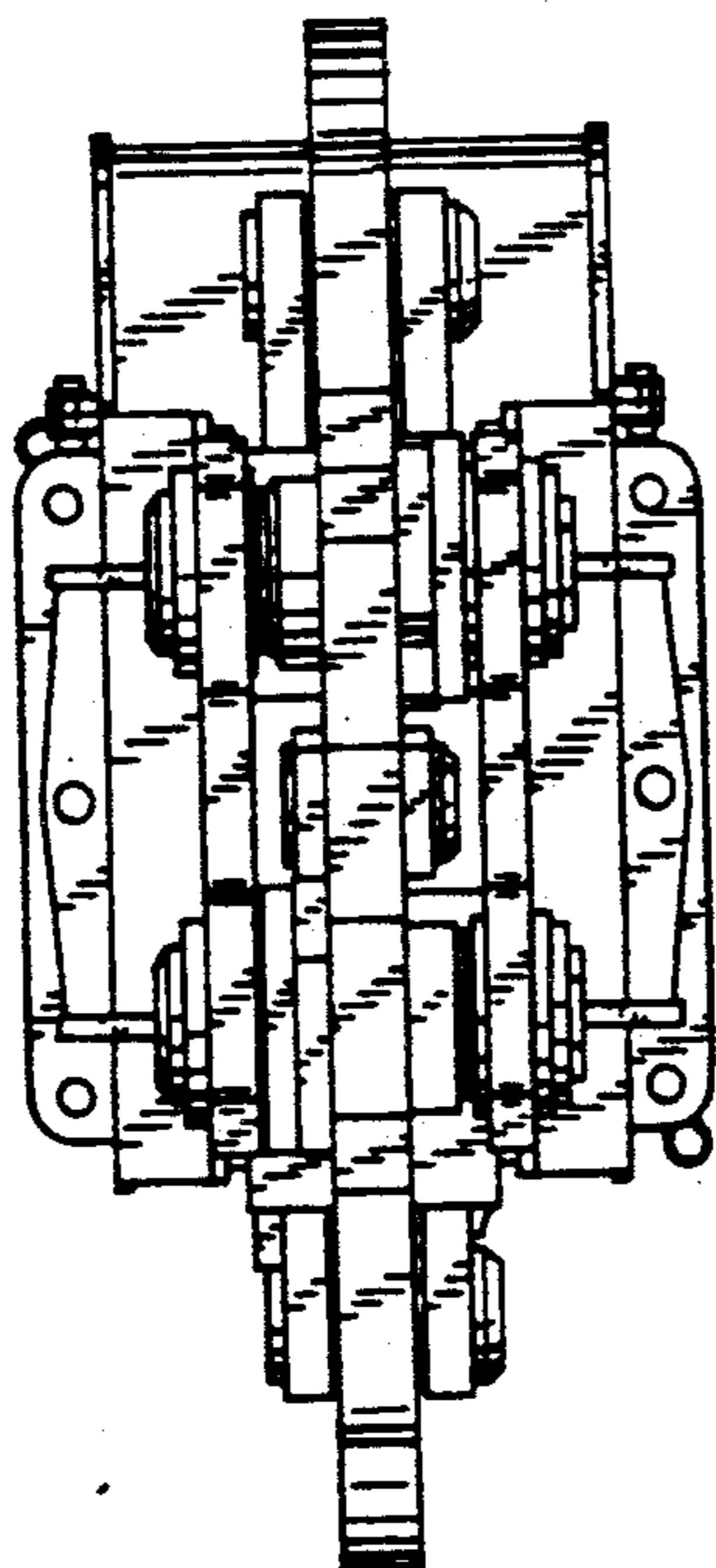


FIG. 6

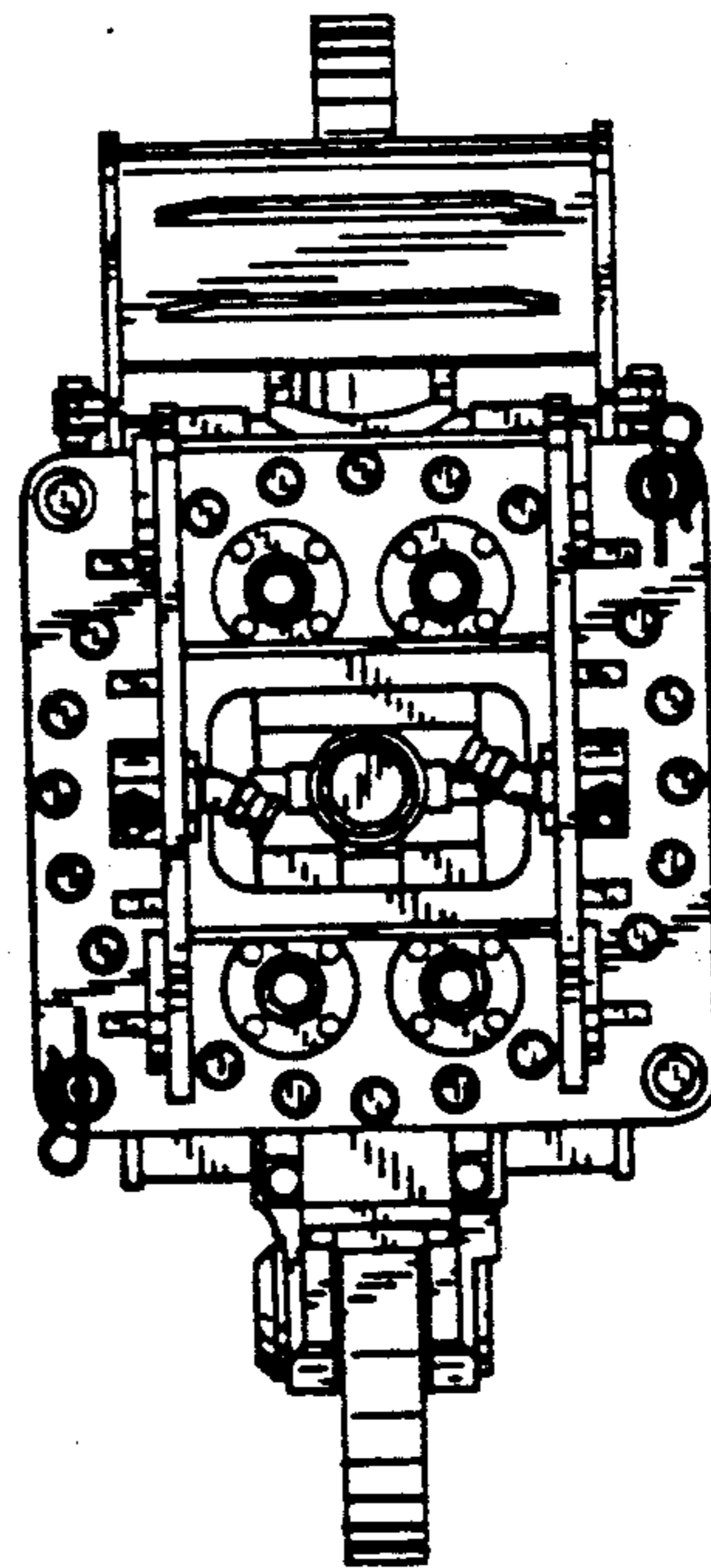


FIG. 7

