



US00D323168S

# United States Patent [19]

Ericsson

[11] Patent Number: **Des. 323,168**

[45] Date of Patent: **\*\* Jan. 14, 1992**

[54] **LINKAGE FOR SWINGABLY SUPPORTING A LOADBEARING MEMBER ON A VEHICLE**

[75] Inventor: **Hans Ericsson, Eskilstuna, Sweden**

[73] Assignee: **VME Industries Sweden AB, Eskilstuna, Sweden**

[\*\*] Term: **14 Years**

[21] Appl. No.: **361,849**

[22] Filed: **Jun. 5, 1989**

[30] **Foreign Application Priority Data**

Dec. 6, 1988 [SE] Sweden ..... 882820

[52] U.S. Cl. .... **D15/32; D15/28**

[58] Field of Search ..... **D15/10, 23, 25, 28, D15/32; 37/117.5, 118 A; 172/484, 501; 414/685, 697, 727**

[56] **References Cited**

**U.S. PATENT DOCUMENTS**

4,163,498 8/1979 Groos et al. .... 414/697  
4,212,582 7/1980 Stecklein ..... 414/685  
4,609,322 9/1986 Quant ..... 414/685

4,790,717 12/1988 Anderson ..... 414/722

**FOREIGN PATENT DOCUMENTS**

1071151 2/1980 Canada ..... 37/117.5  
2177674 1/1987 United Kingdom ..... 37/117.5

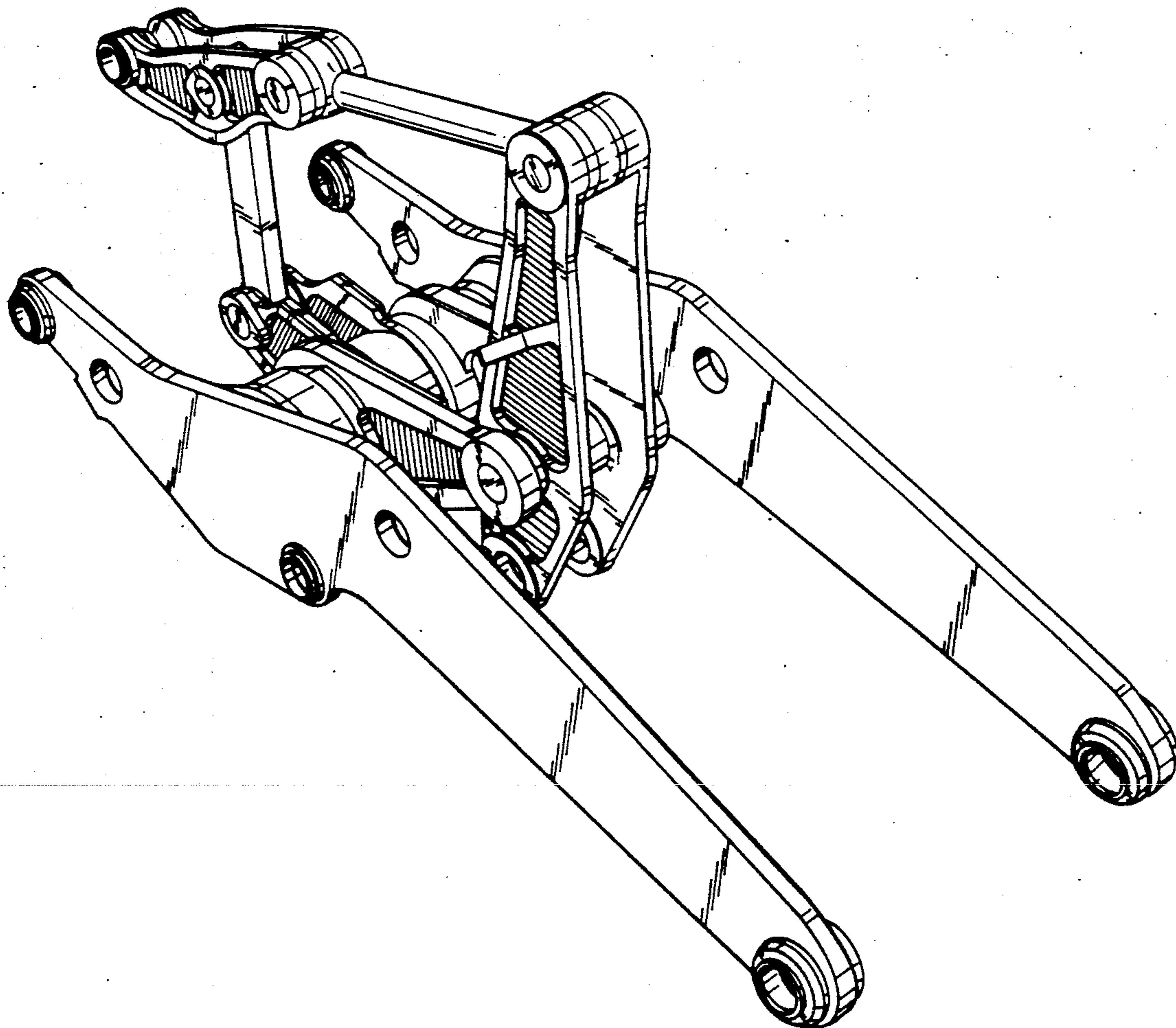
*Primary Examiner*—Bernard Ansher  
*Assistant Examiner*—Sandra Morris  
*Attorney, Agent, or Firm*—Young & Thompson

[57] **CLAIM**

The ornamental design for a linkage for swingably supporting a loadbearing member on a vehicle, as shown and described.

**DESCRIPTION**

FIG. 1 is a top left perspective view of a linkage for swingably supporting a loadbearing member on a vehicle, showing my new design;  
FIG. 2 is a bottom right perspective view thereof;  
FIG. 3 is a left side elevational view thereof;  
FIG. 4 is a right side elevational view thereof;  
FIG. 5 is a top plan view thereof;  
FIG. 6 is a bottom plan view thereof;  
FIG. 7 is a rear elevational view thereof; and  
FIG. 8 is a front elevational view thereof.



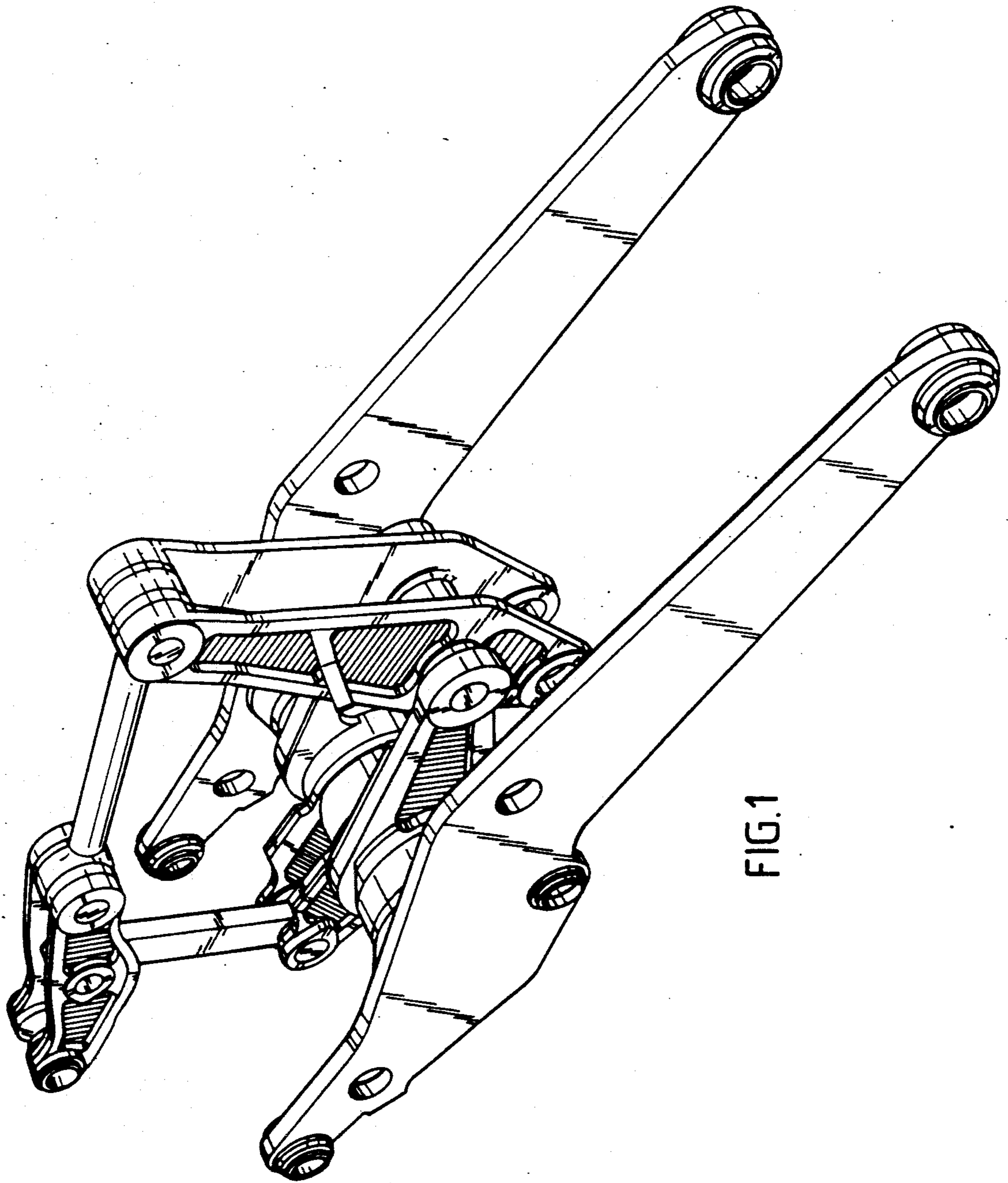


FIG. 1

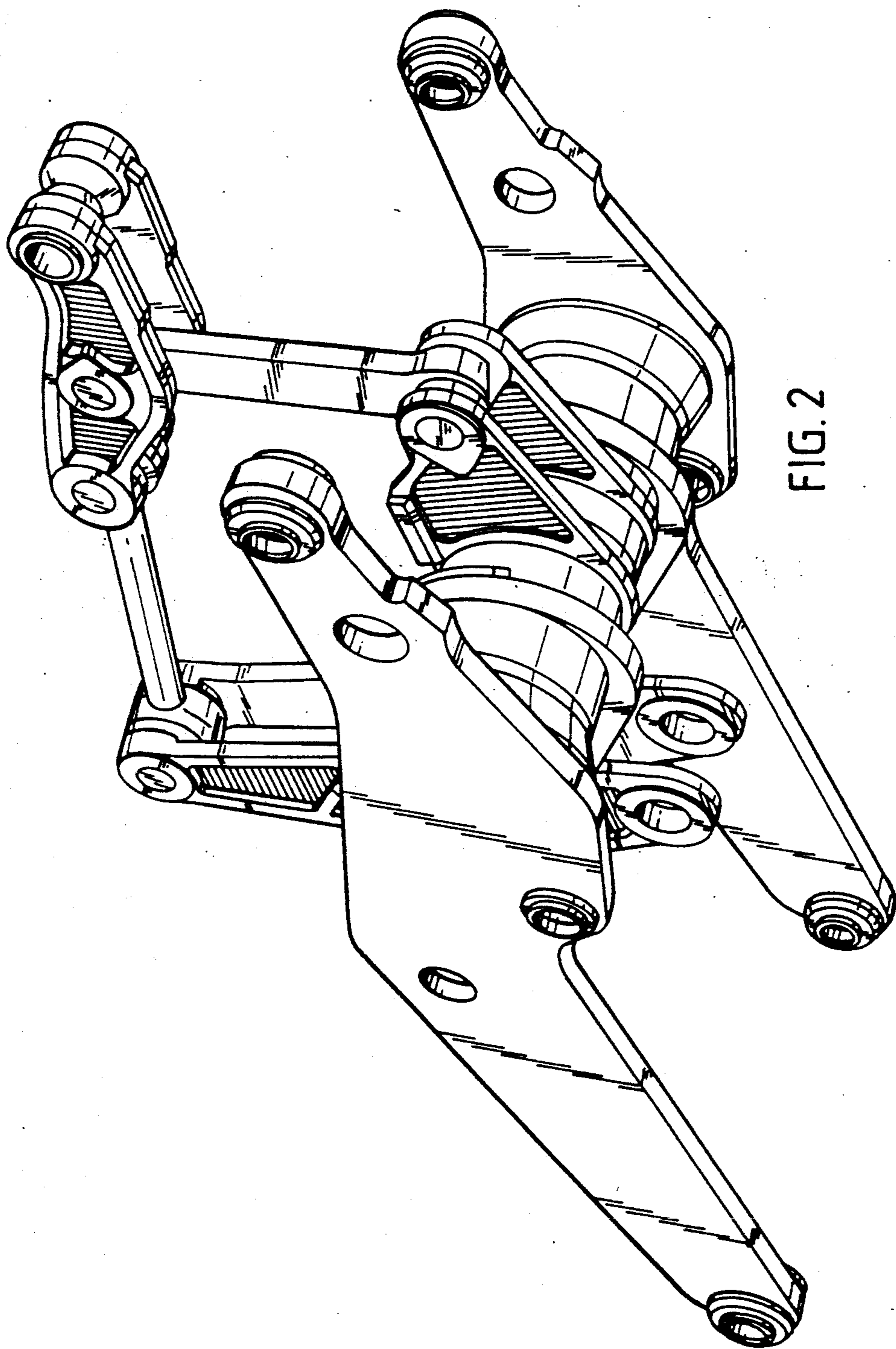


FIG. 2



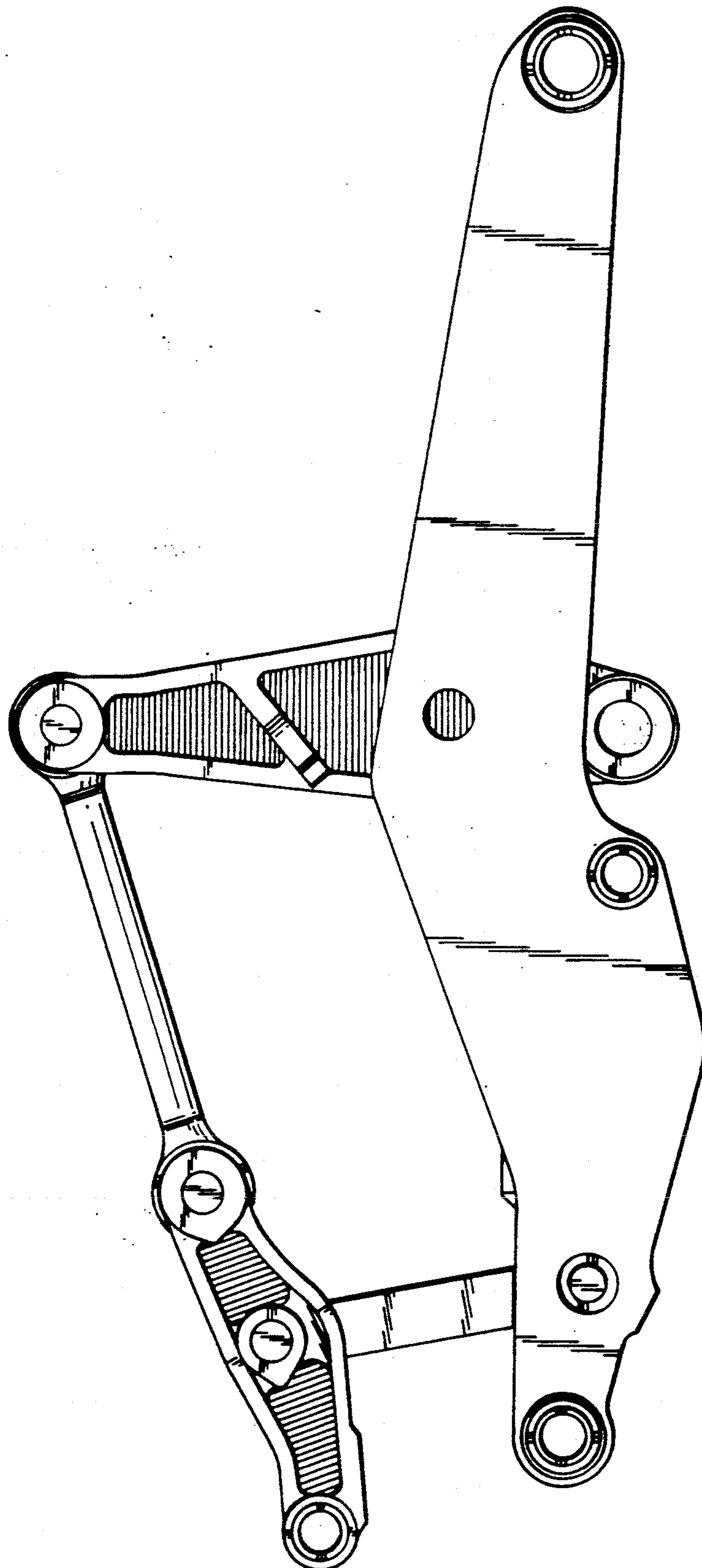


FIG. 3

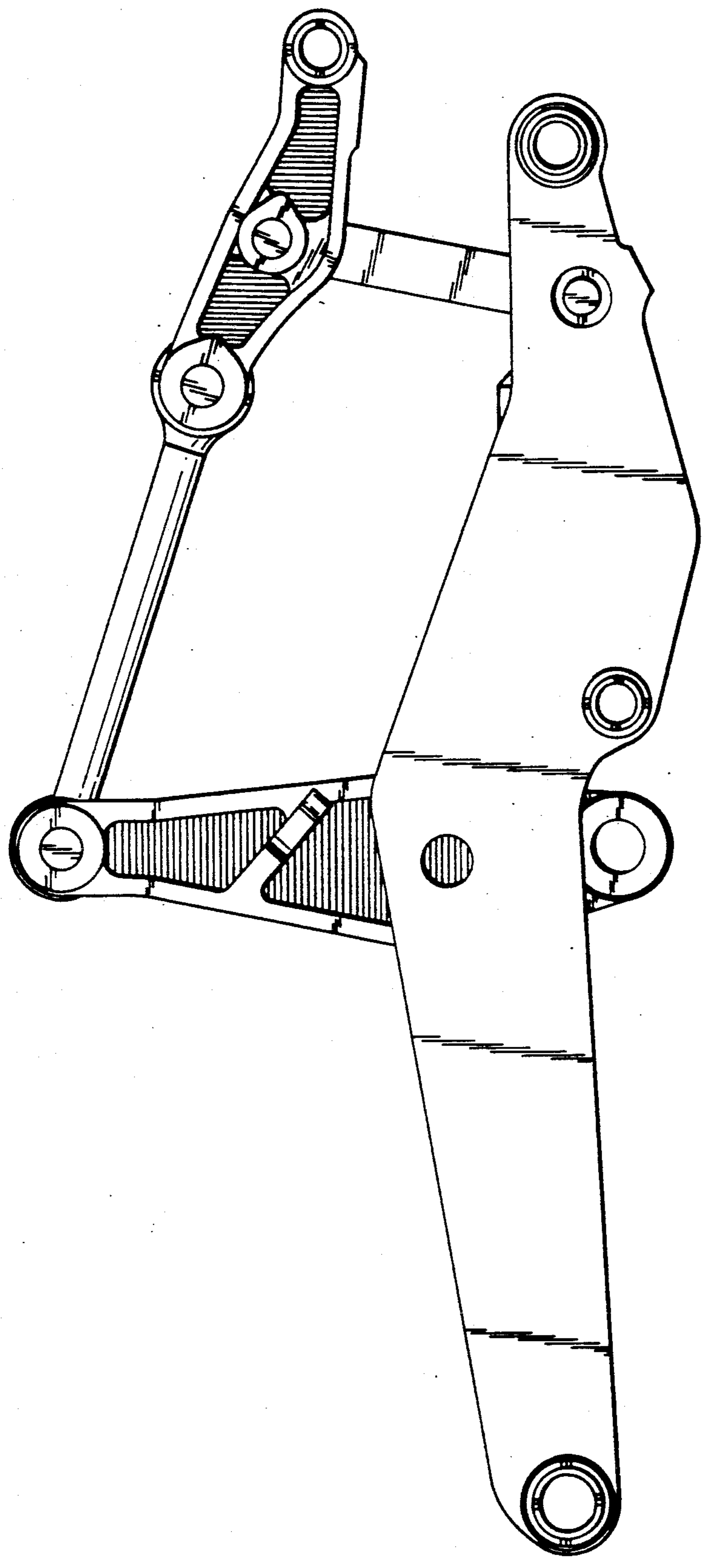


FIG. 4

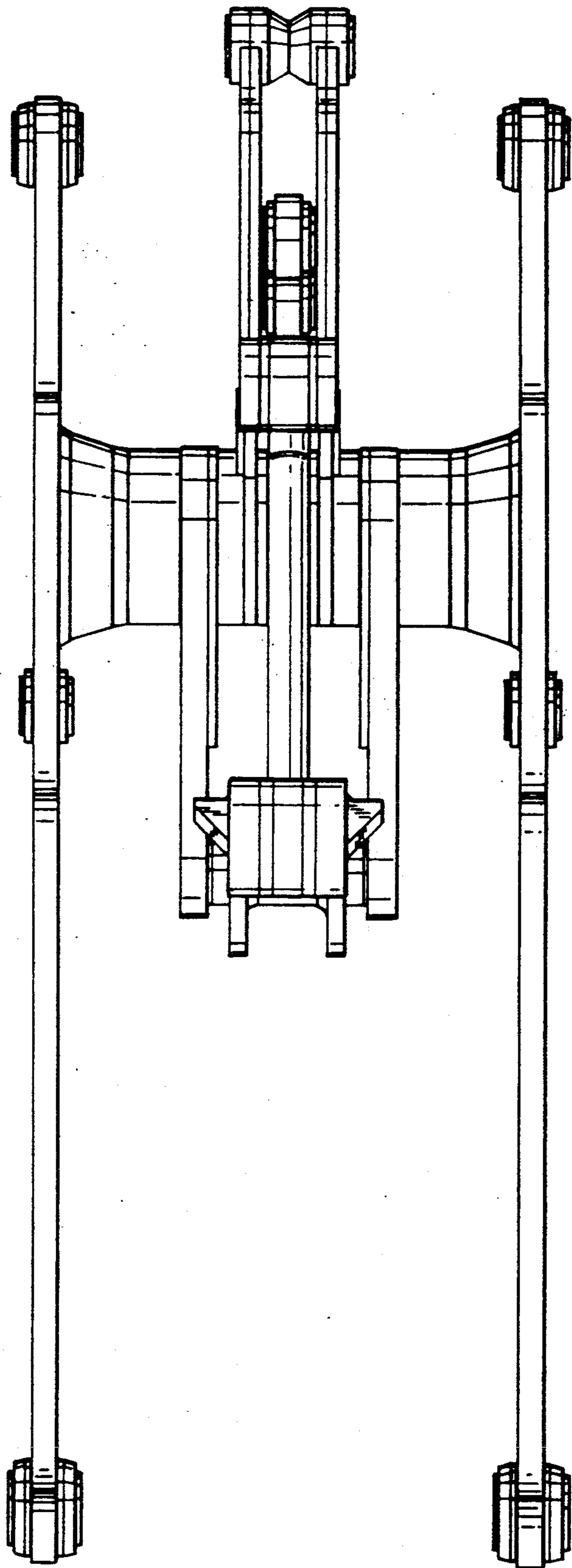


FIG. 5

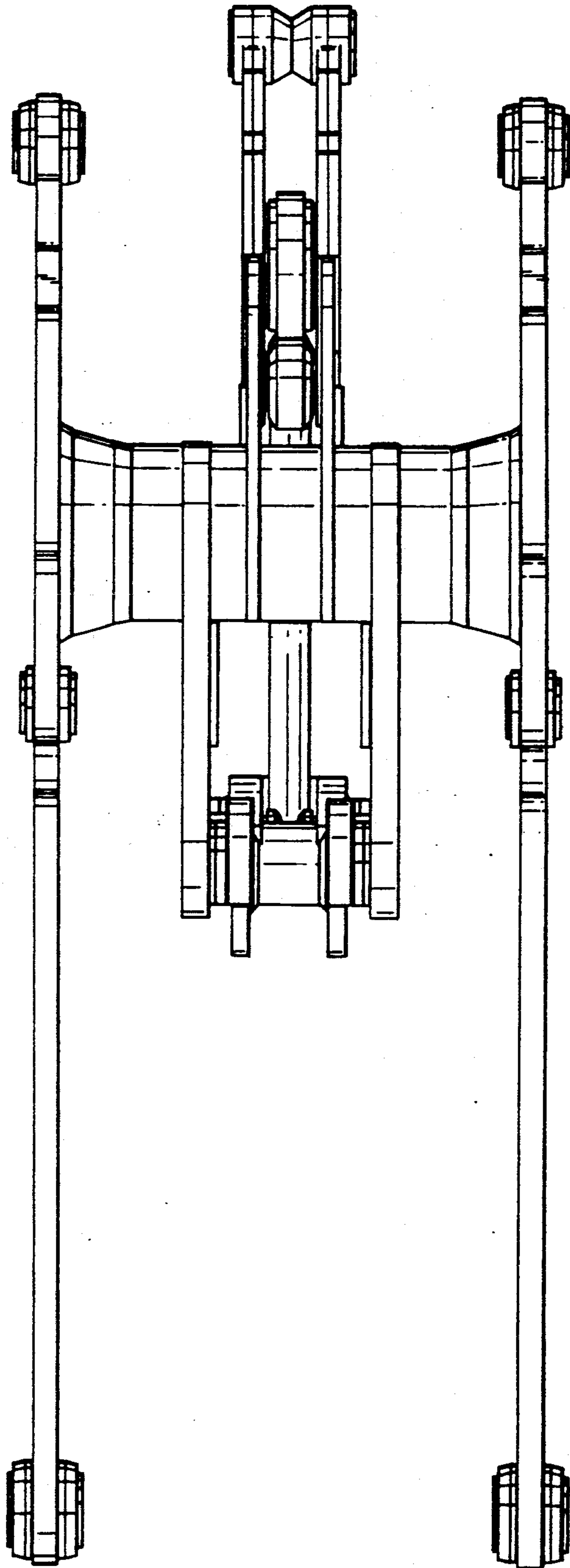


FIG. 6

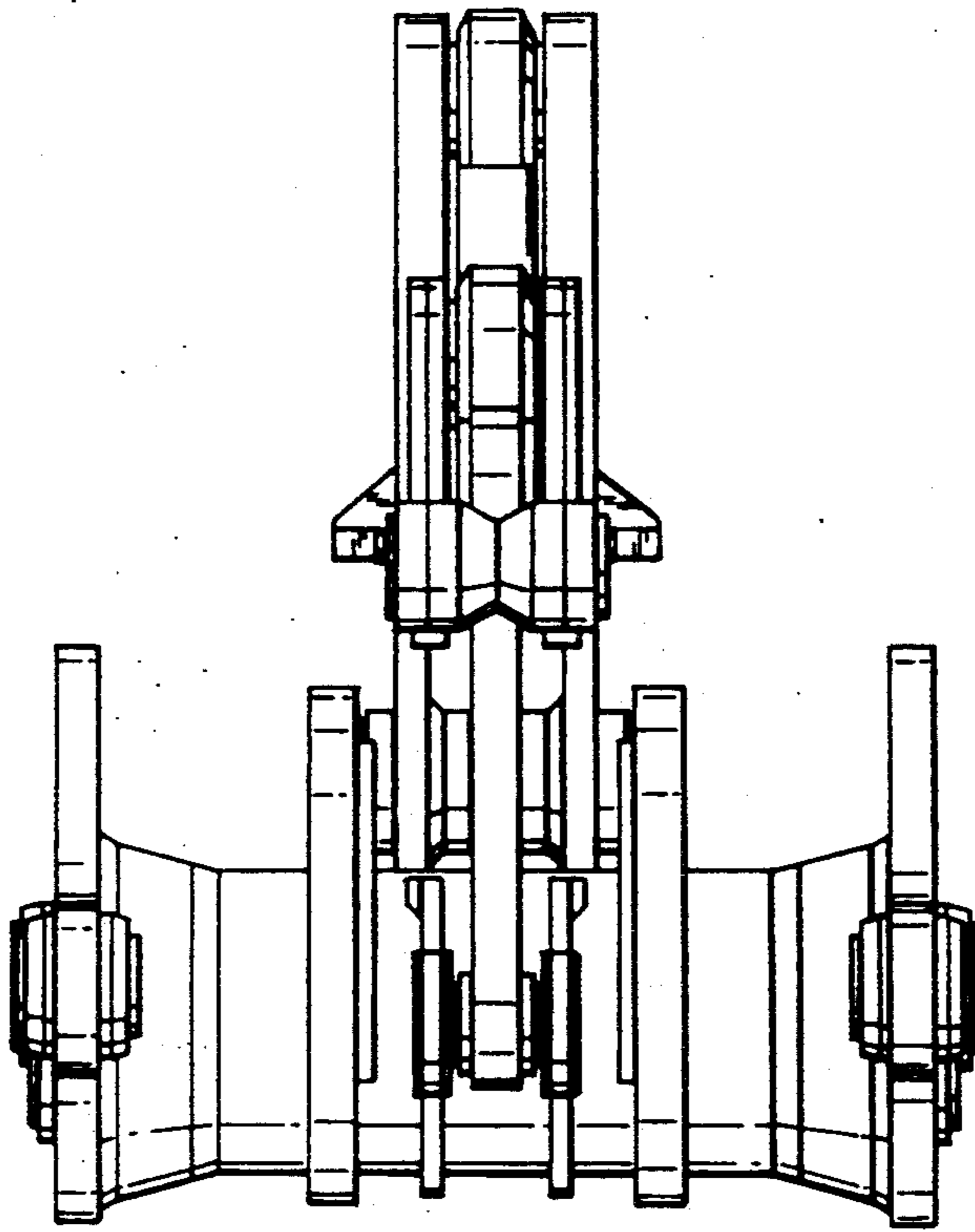


FIG. 7

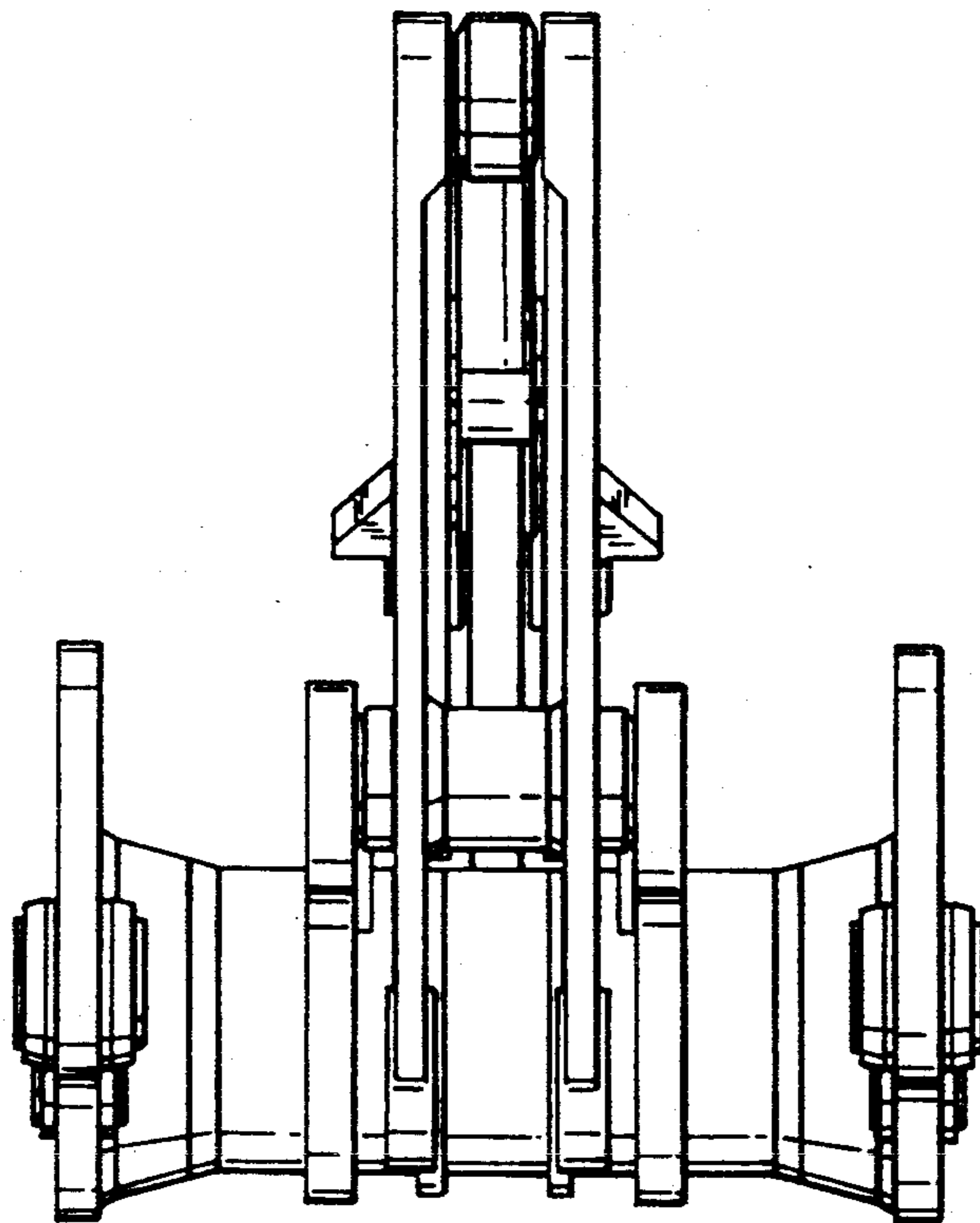


FIG. 8