



US00D323166S

# United States Patent [19]

[11] Patent Number: **Des. 323,166**

Hino et al.

[45] Date of Patent: **\*\* Jan. 14, 1992**

[54] **RECONFIGURABLE RADIO RECEIVER**

[75] Inventors: **Ichiroh Hino, Yokohama; Shinichi Sumikawa, Tokyo, both of Japan**

[73] Assignee: **Sony Corporation, Tokyo, Japan**

[\*\*] Term: **14 Years**

[21] Appl. No.: **424,323**

[22] Filed: **Oct. 19, 1989**

[30] **Foreign Application Priority Data**

Aug. 15, 1989 [JP] Japan ..... 1-29910

[52] U.S. Cl. .... **D14/195; D14/188; D21/113**

[58] Field of Search ..... **D14/136, 156, 163, 165, D14/168-171, 175-176, 188-198; 455/92, 100, 128, 344, 350-351; 312/7.1**

[56] **References Cited**

**U.S. PATENT DOCUMENTS**

D. 290,843 7/1987 Murphy ..... D14/196 X

D. 310,835 9/1990 Grimes ..... D14/163

D. 313,018 12/1990 Funabashi ..... D14/156

**OTHER PUBLICATIONS**

Design 478, Oct. 1988, p. 24, Item #5—portable radio.

Design 468, Dec. 1987, p. 21, top.

Instruction Manual for "My First Sony," ICF-K700 Radio Receiver, Aug. 1987.

*Primary Examiner*—Theodore M. Shooman

*Attorney, Agent, or Firm*—Lewis H. Eslinger; Jay H. Maioli

[57] **CLAIM**

The ornamental design for a reconfigurable radio receiver, as shown and described.

**DESCRIPTION**

FIG. 1 is a top, front and right-side perspective view of a reconfigurable radio receiver, showing our new design;

FIG. 2 is a top, rear and left-side perspective view thereof;

FIG. 3 is a top, front and left-side perspective view thereof, shown with loudspeaker mounted in a side-wardly facing position;

FIG. 4 is a top, front and right-side perspective view thereof, shown with loudspeaker mounted in an upwardly facing position;

FIG. 5 is a top, front and right-side perspective view thereof, shown with loudspeaker, battery holder, and antenna removed;

FIG. 6 is a top, front and right-side perspective view thereof, shown with loudspeaker in the forwardly facing position and with battery holder in a rearwardly mounted position;

FIG. 7 is a front elevational view thereof;

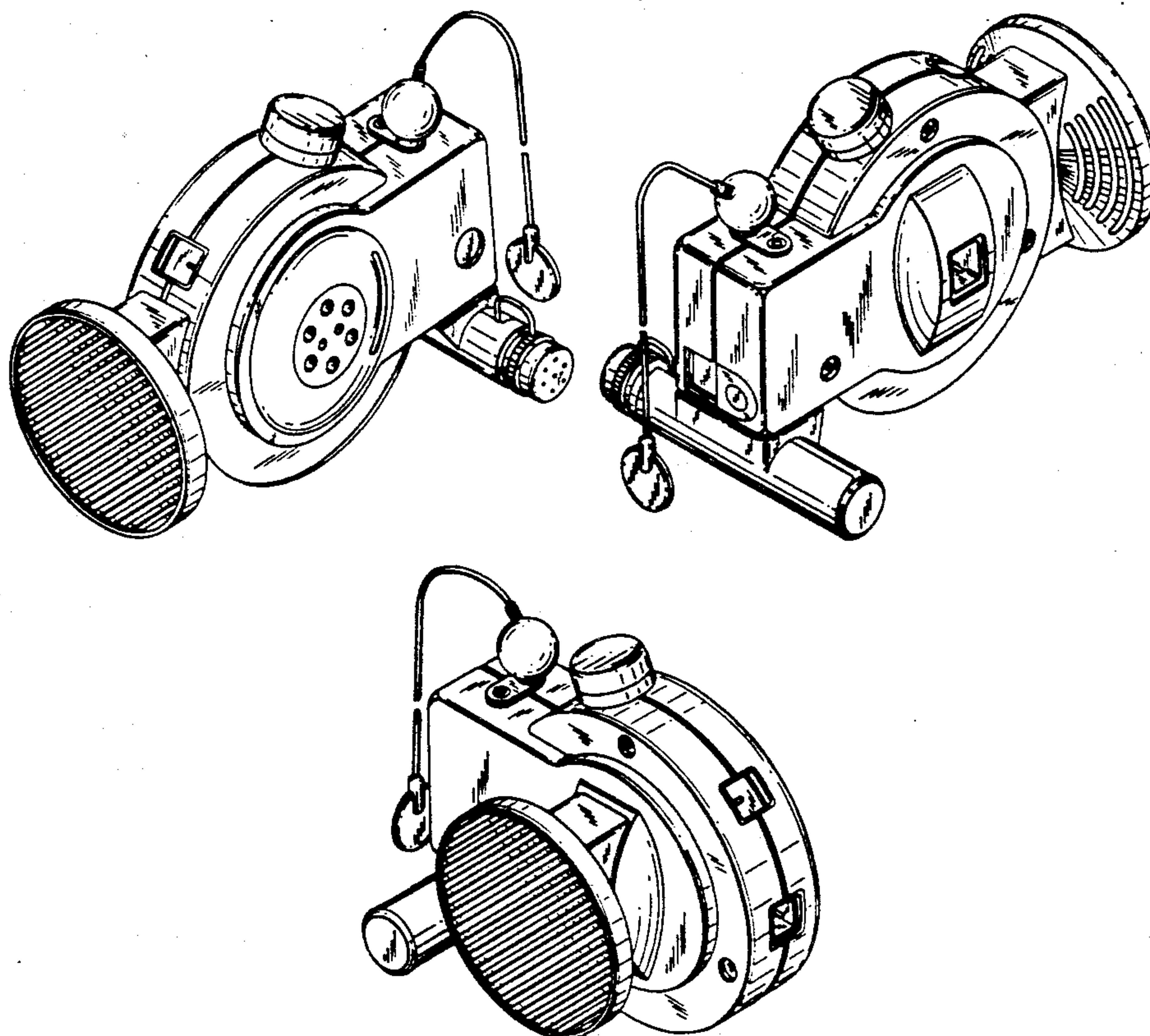
FIG. 8 is a rear elevational view thereof;

FIG. 9 is a left-side elevational view thereof;

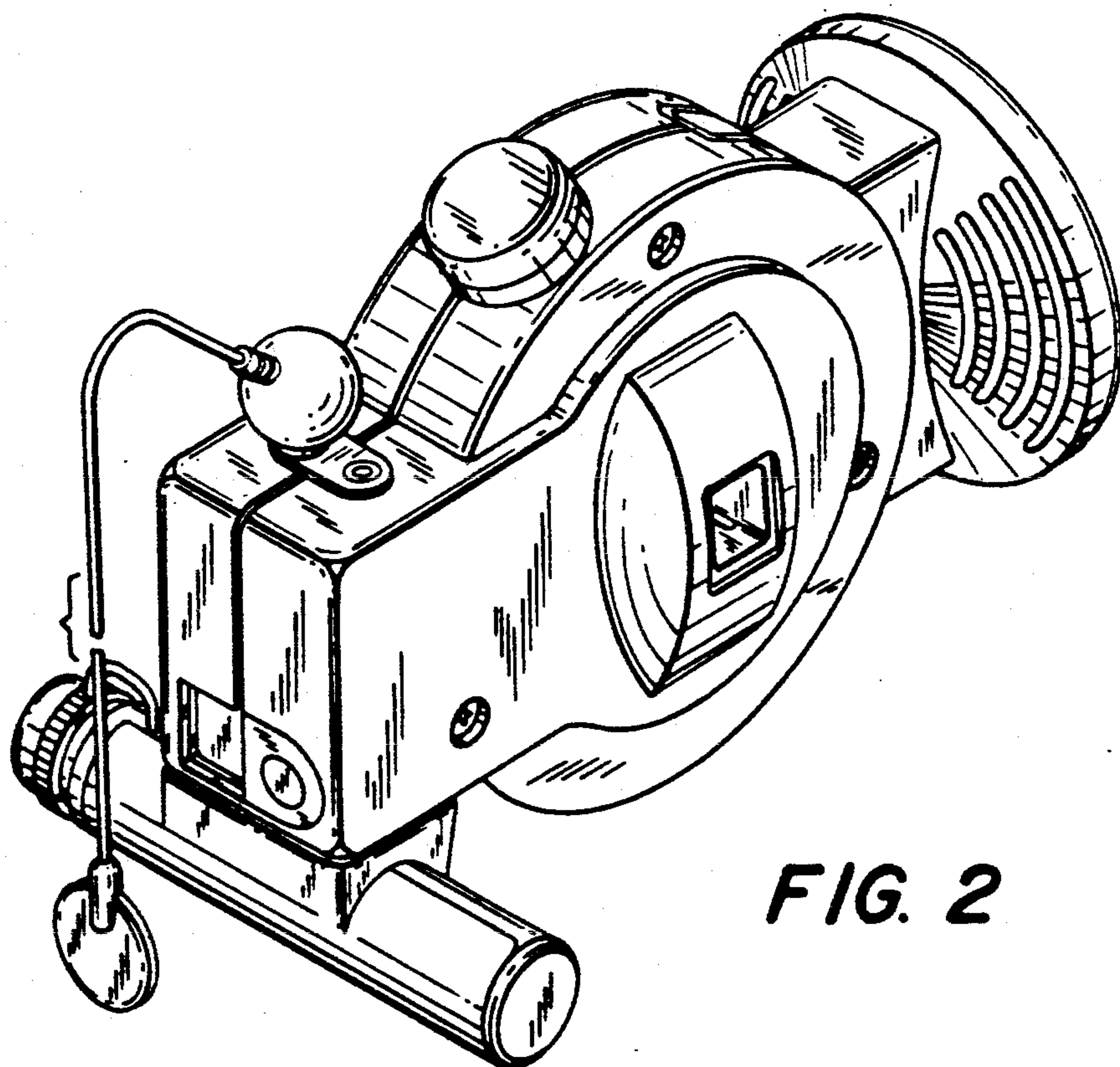
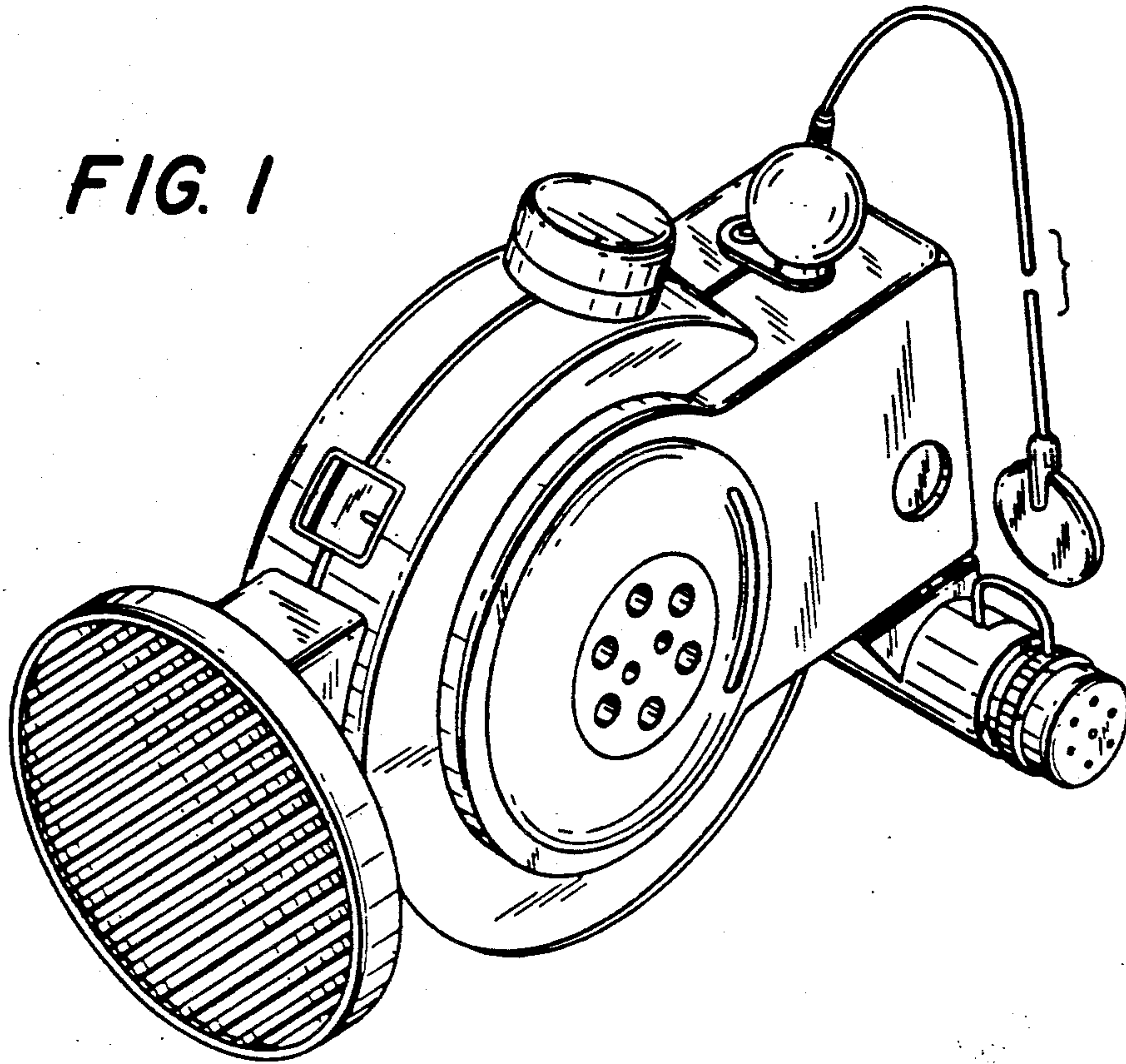
FIG. 10 is a right-side elevational view thereof;

FIG. 11 is a top plan view thereof; and

FIG. 12 is a bottom plan view thereof.

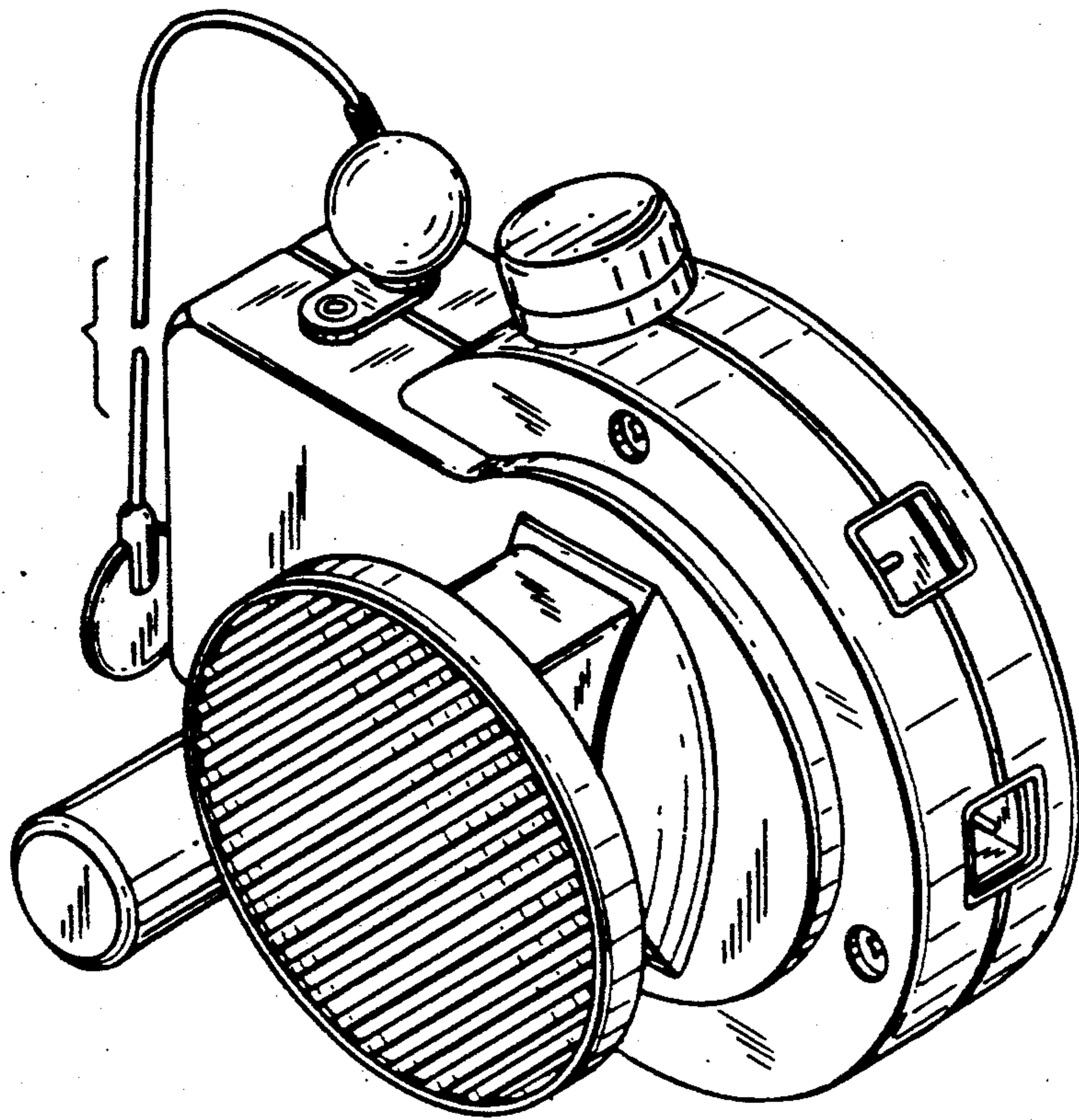


**FIG. 1**

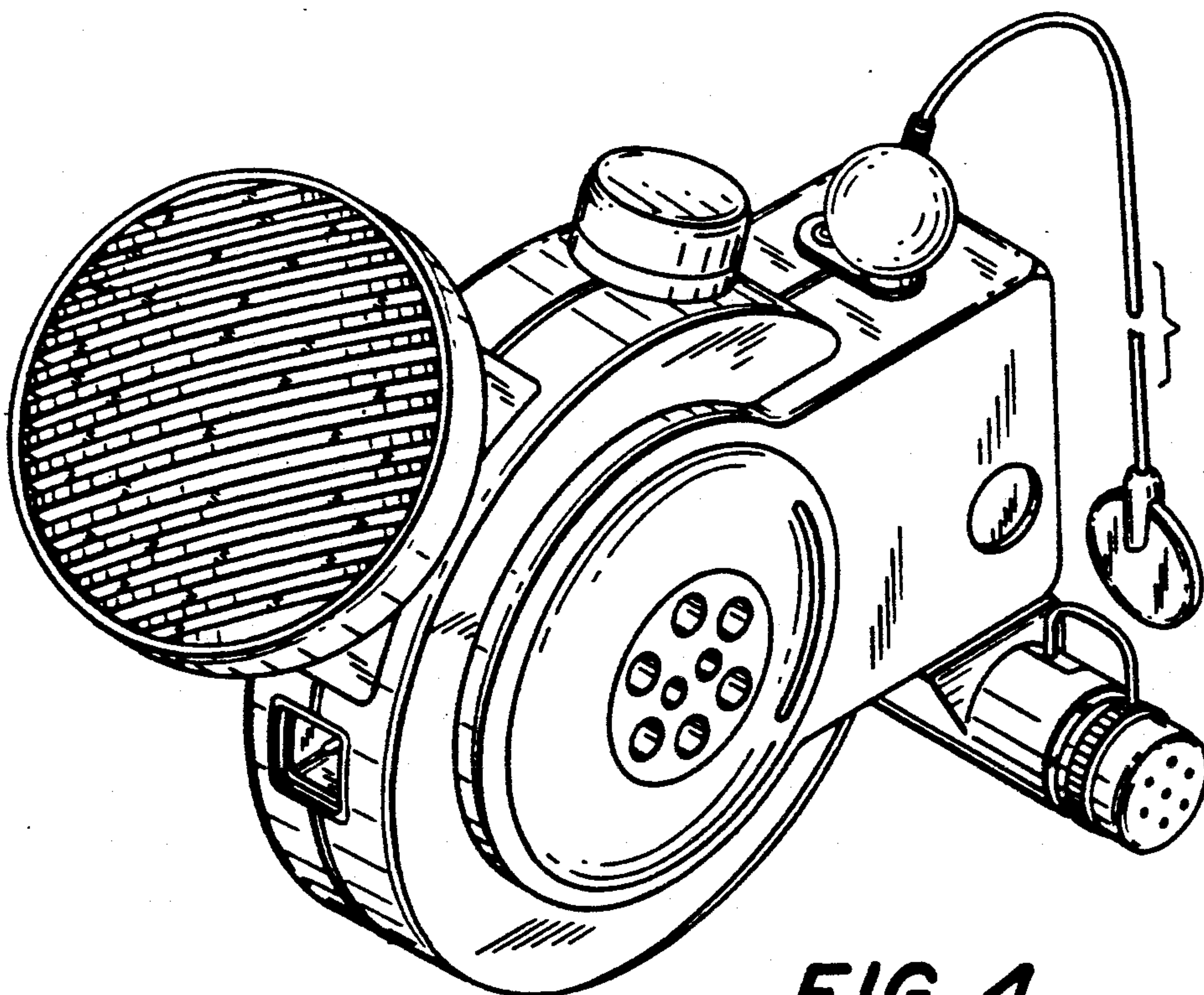


**FIG. 2**

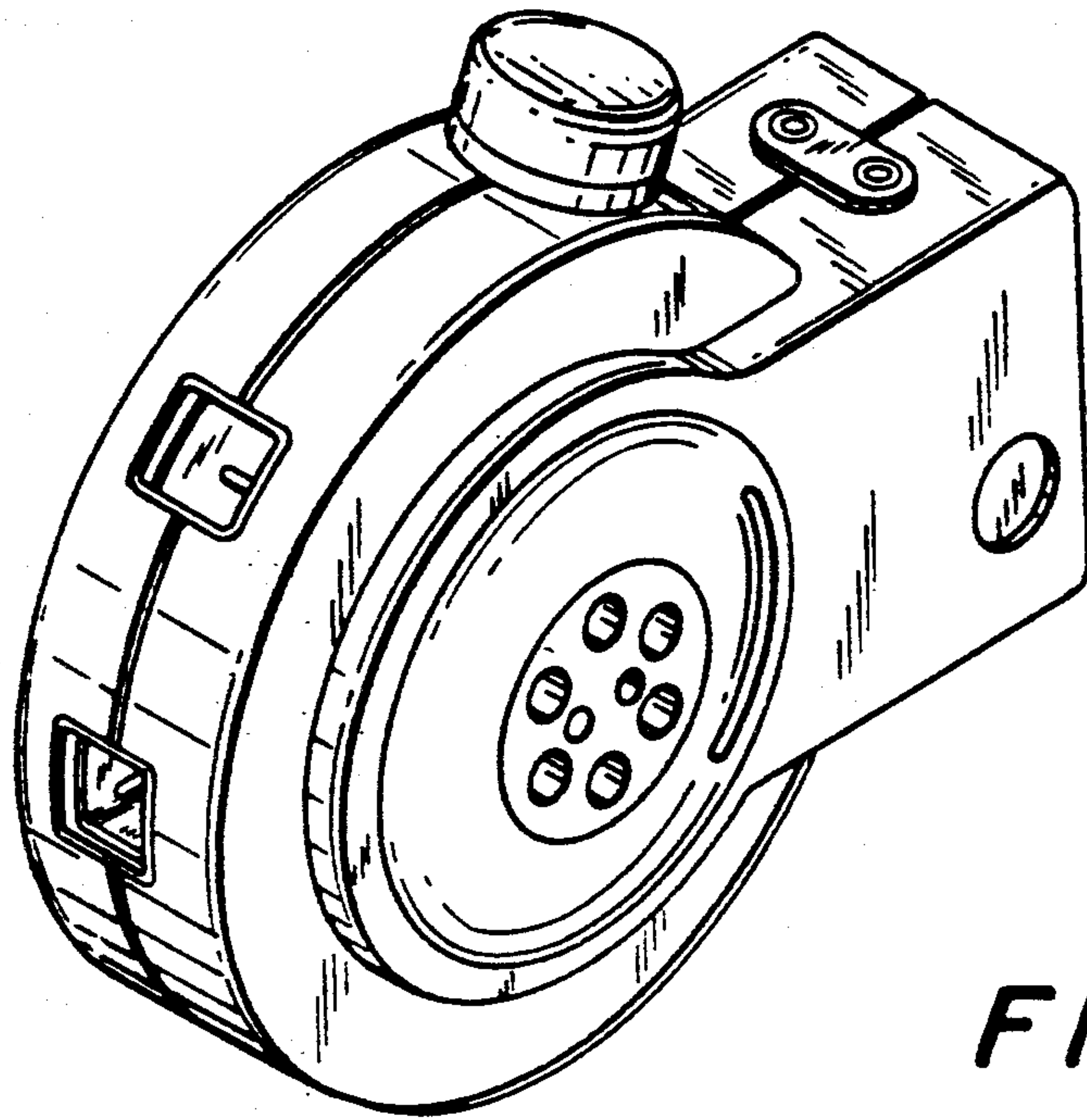




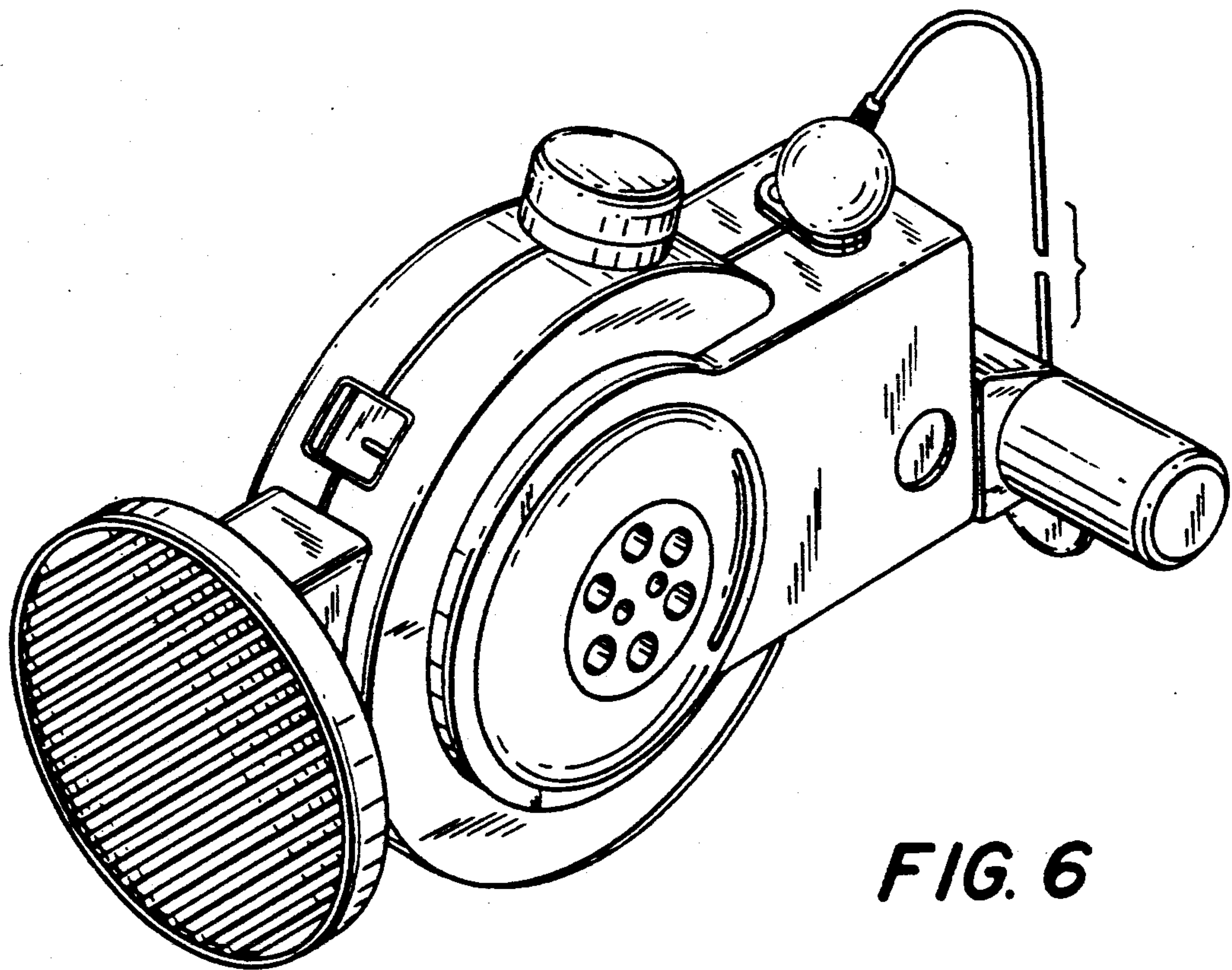
**FIG. 3**



**FIG. 4**

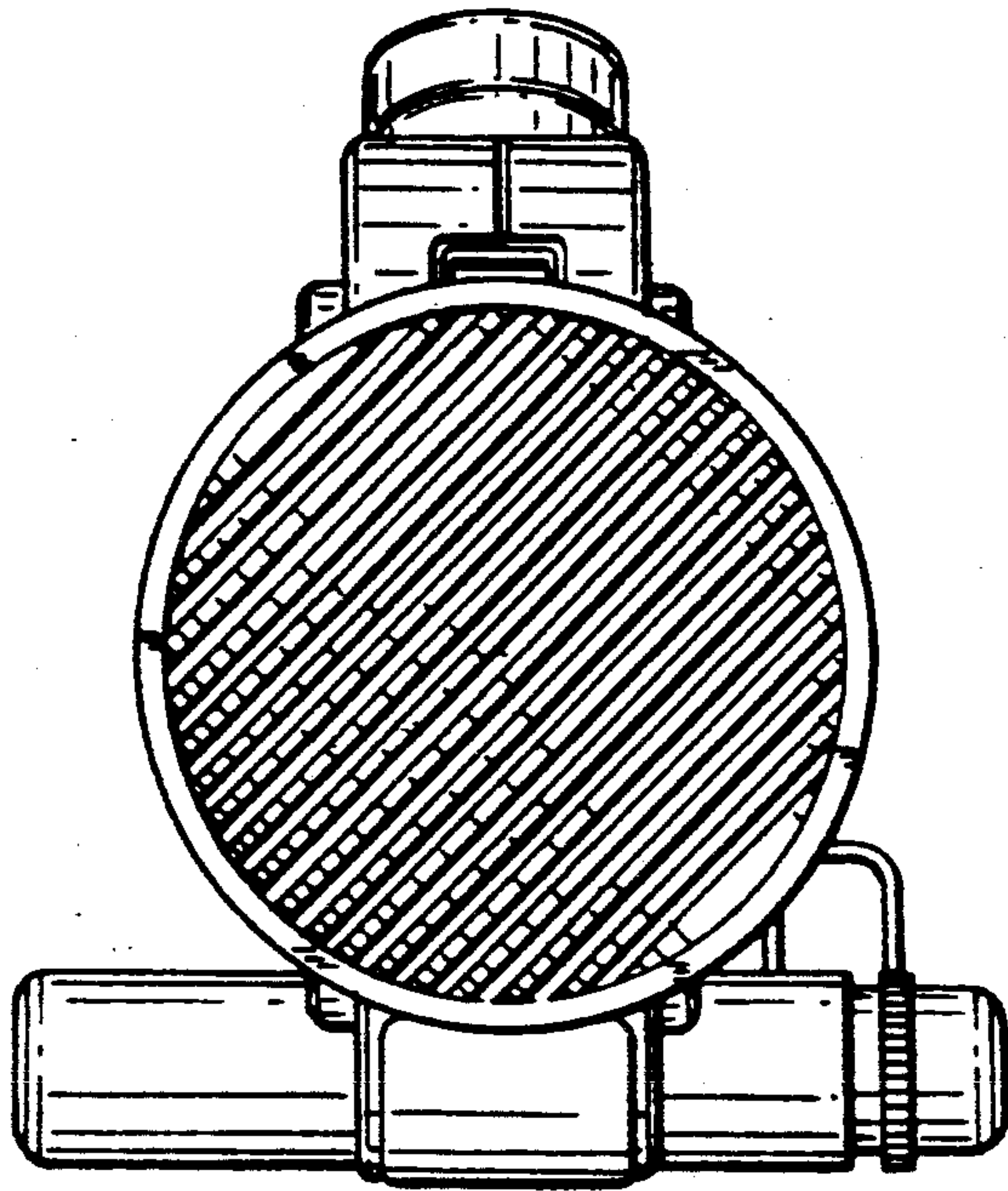


**FIG. 5**

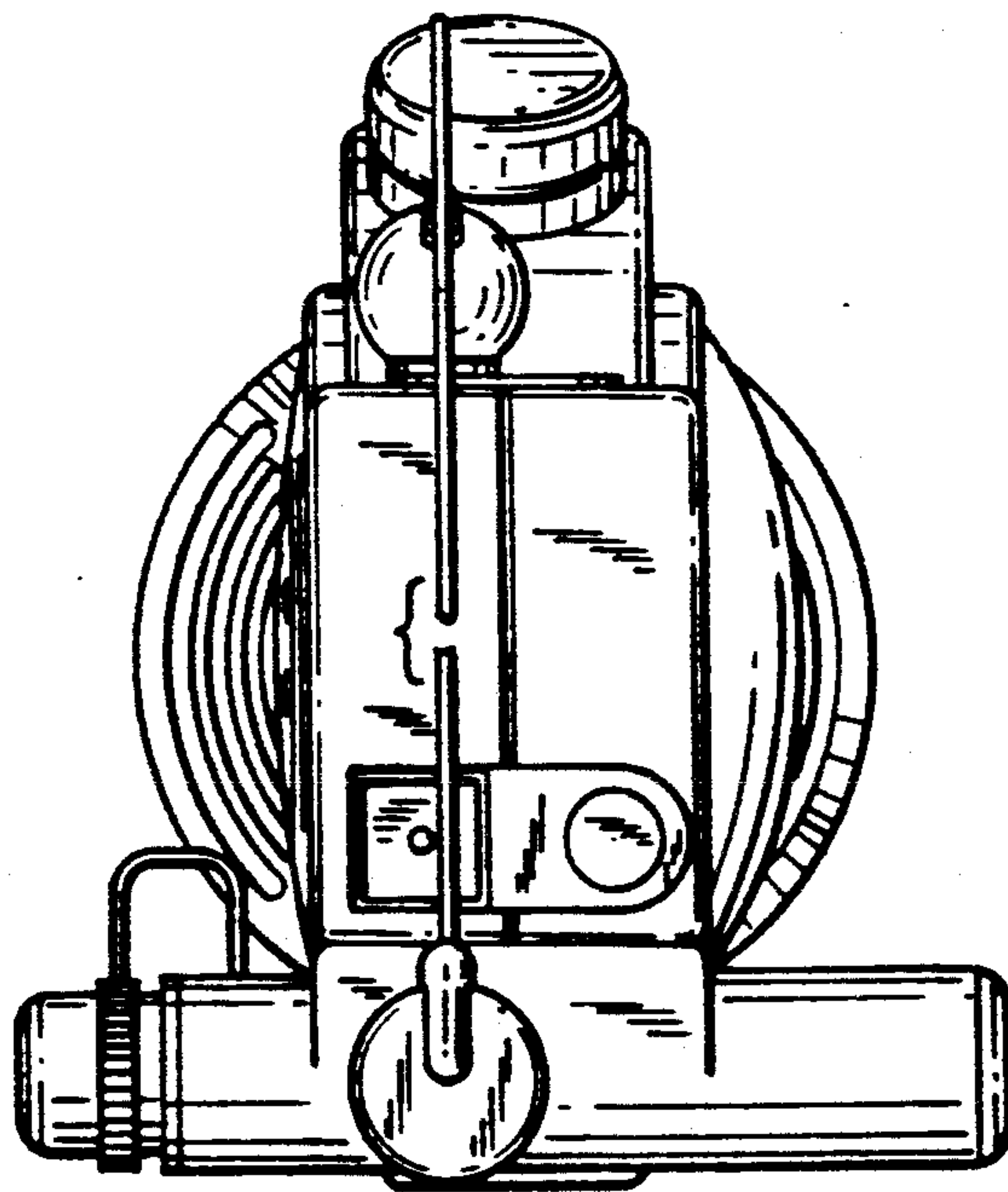


**FIG. 6**

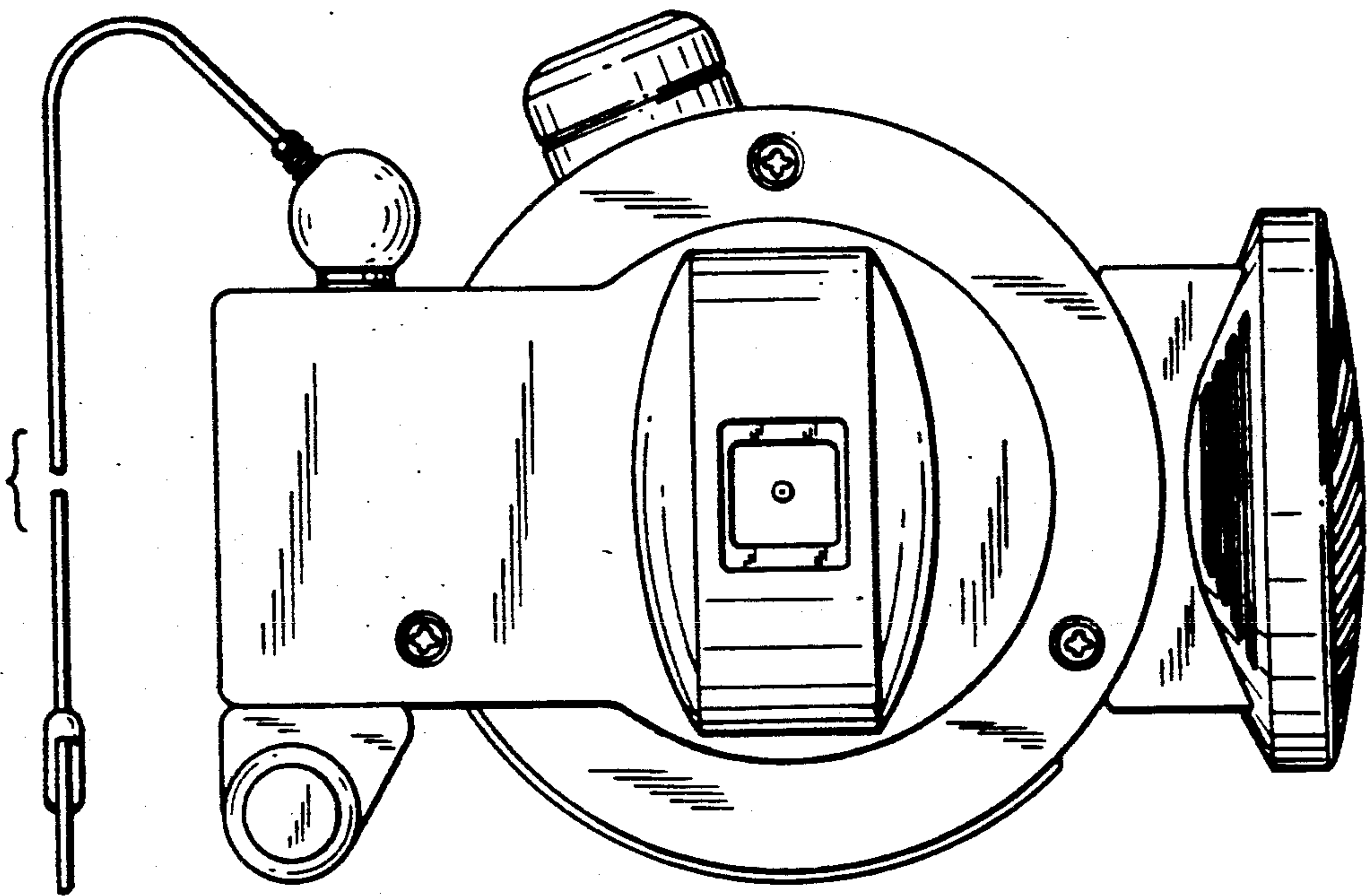




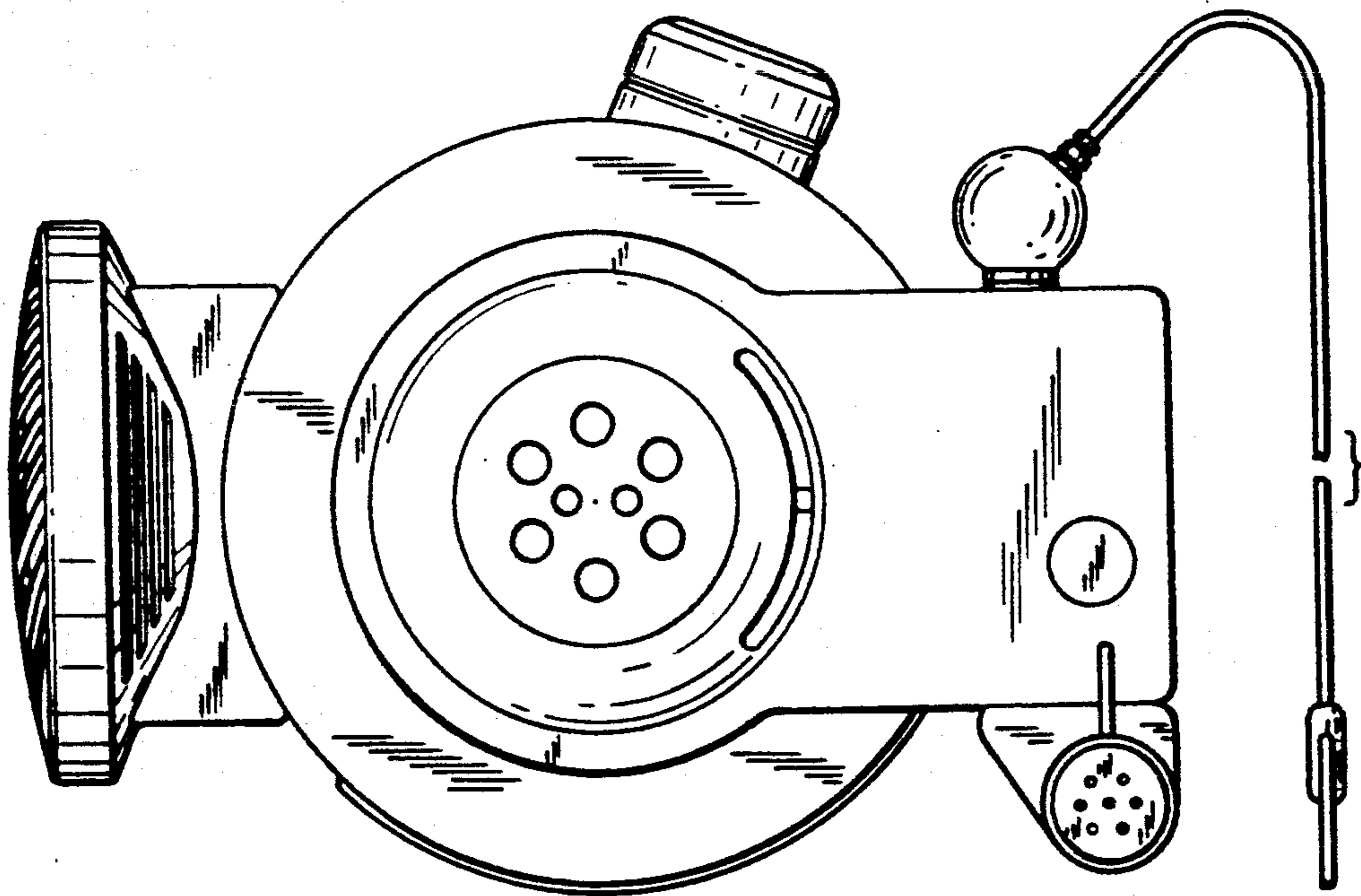
*FIG. 7*



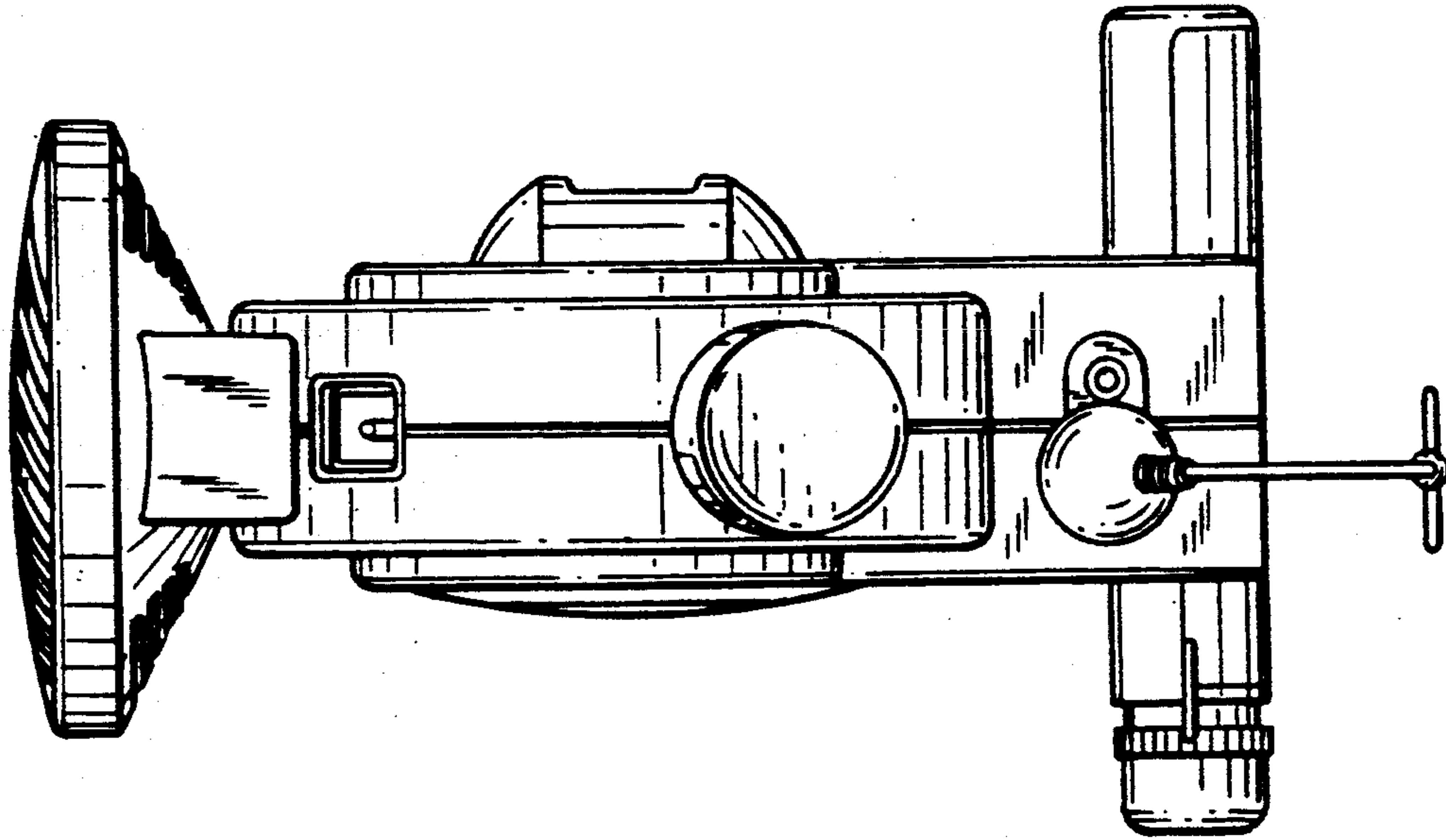
*FIG. 8*



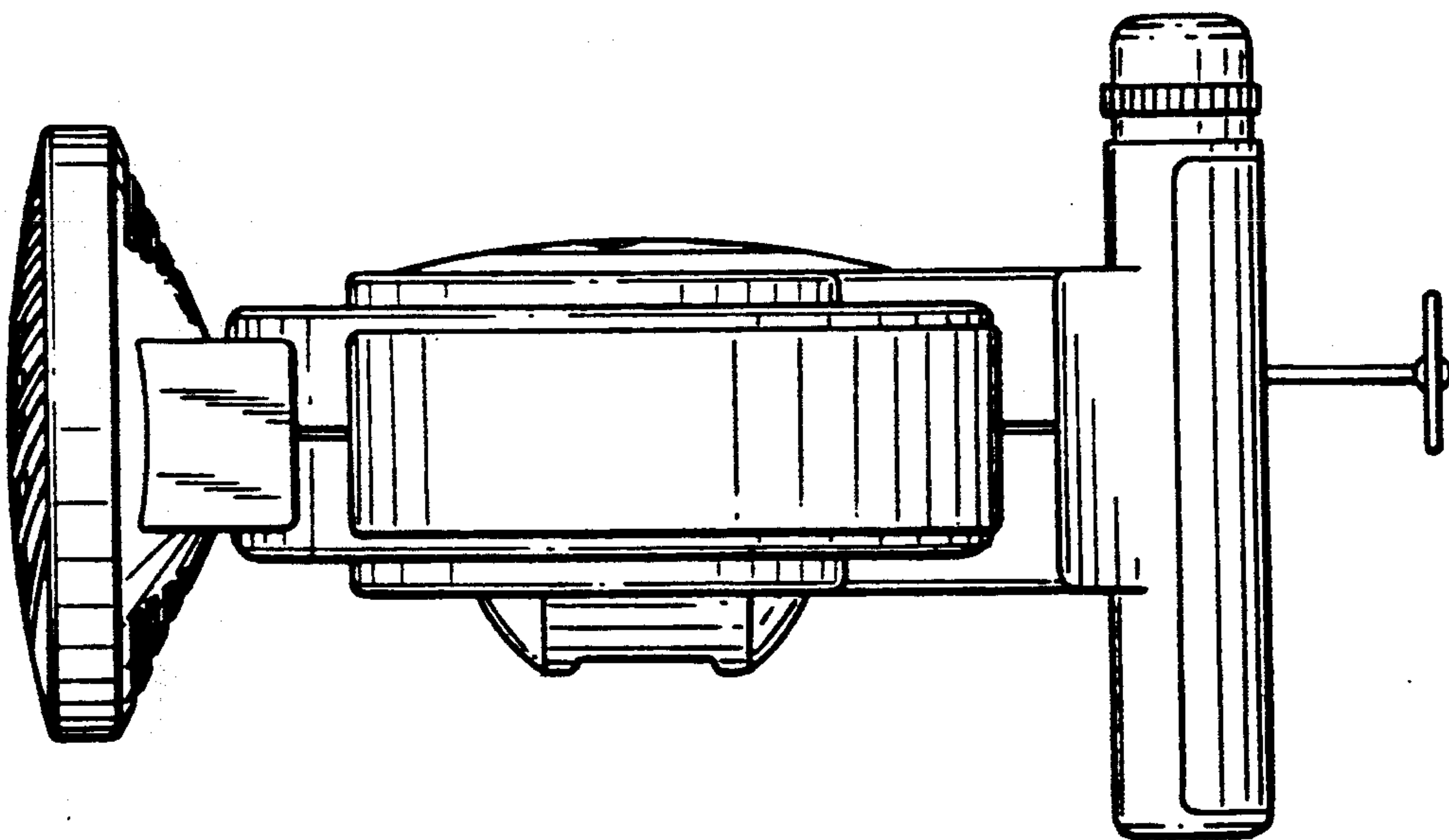
**FIG. 9**



**FIG. 10**



*FIG. 11*



*FIG. 12*