



US00D323164S

United States Patent [19]

[11] Patent Number: **Des. 323,164**

Myoga

[45] Date of Patent: **** Jan. 14, 1992**

[54] **TELEPHONE SET**

[75] Inventor: **Maki Myoga, Portland, Oreg.**

[73] Assignee: **Code-A-Phone Corporation, Clackamas, Oreg.**

[**] Term: **14 Years**

[21] Appl. No.: **638,647**

[22] Filed: **Jan. 8, 1991**

[52] U.S. Cl. **D14/138; D14/151; D14/148; D14/143**

[58] Field of Search **D14/138, 150, 148, 147, D14/143, 248; 379/436, 440, 432, 434, 443; D21/111**

[56] **References Cited**

U.S. PATENT DOCUMENTS

D. 92,442	6/1939	Worthington	D14/149
D. 152,278	1/1949	McKenna	D14/149
D. 209,910	1/1968	Tyson	D14/248
D. 210,776	4/1968	Dreyfuss	D14/149
D. 211,472	6/1968	Dreyfuss	D14/149
D. 211,739	7/1968	Dreyfuss	D14/151
D. 212,423	10/1968	Tyson	D14/149
D. 232,642	9/1974	Beadle et al.	D14/150
D. 279,005	5/1985	Genaro et al.	D14/248
D. 284,857	7/1986	Brignole	D14/150
D. 291,438	8/1987	Bonko	D14/150
D. 291,562	8/1987	Lee	D14/143
D. 292,703	11/1987	Tragatschnig	D14/151
D. 293,572	1/1988	Büchin	D14/149

D. 294,500	3/1988	Drakulovic et al.	D14/248
D. 295,410	4/1988	Yoshiharu	D14/143
D. 297,732	9/1988	Chan	D14/149
D. 299,645	1/1989	Ohta et al.	D14/149
D. 301,577	6/1989	Morrison et al.	D14/143
D. 304,335	10/1989	Chen	D14/149 X
D. 311,397	10/1990	Cheng	D14/149
D. 314,379	2/1991	Cheng	D14/151

OTHER PUBLICATIONS

Citicorp Dinners Club; leaflet on Swiss 'SWISSTEL' 2 piece phone #183, ©by Citicorp Dinners Club 1991.

Primary Examiner—Horace B. Fay, Jr.
Attorney, Agent, or Firm—Fitch, Even, Tabin & Flannery

[57] **CLAIM**

The ornamental design for a telephone set, as shown and described.

DESCRIPTION

FIG. 1 is a top plan view of a telephone set showing my new design thereof;
FIG. 2 is a right elevational view thereof;
FIG. 3 is a bottom plan view thereof;
FIG. 4 is a left elevational view thereof;
FIG. 5 is a front elevational view thereof;
FIG. 6 is a rear elevational view thereof; and
FIG. 7 is a perspective view thereof with the handset portion separated from the base portion of the telephone set.

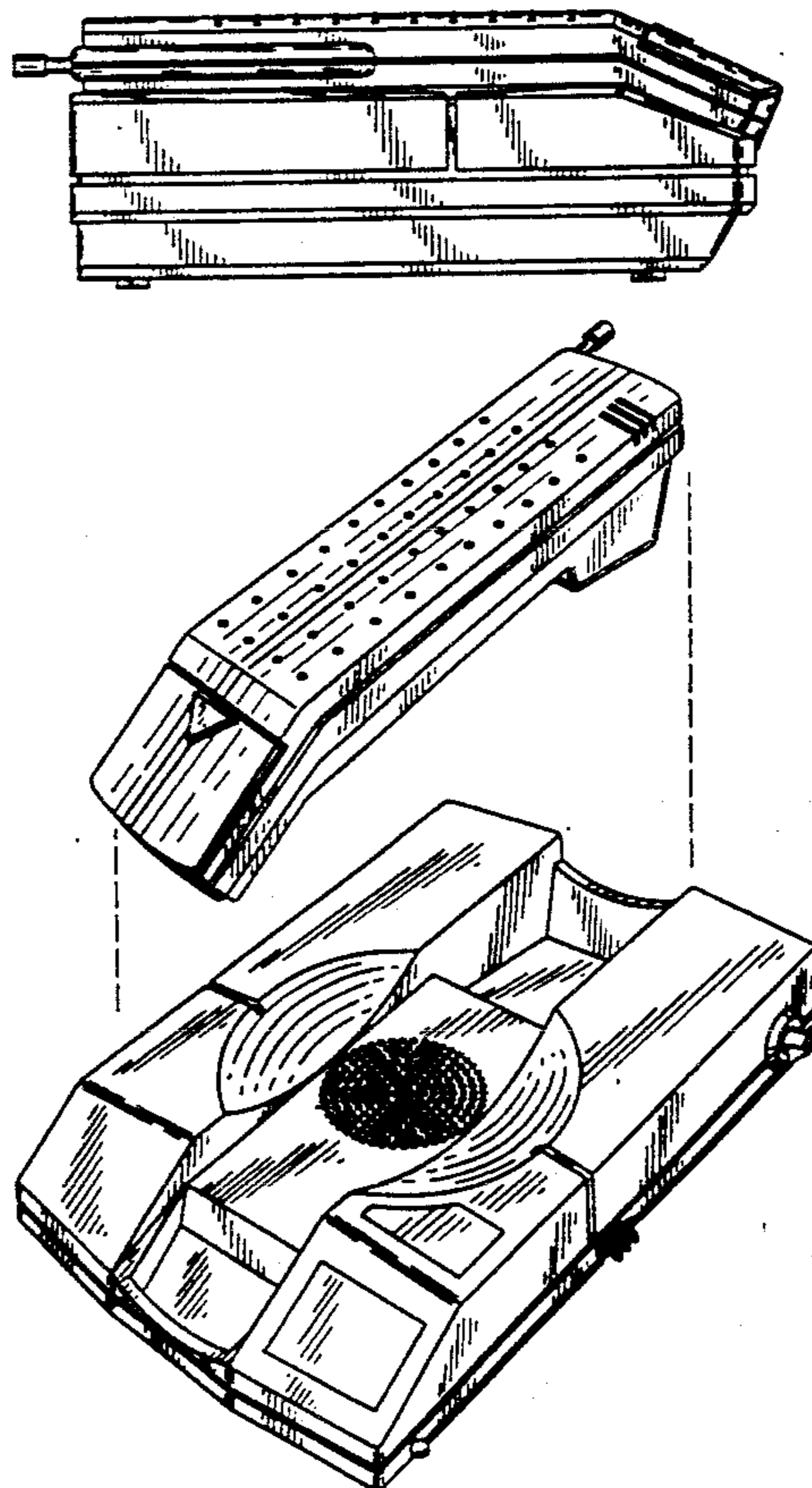


FIG. 1

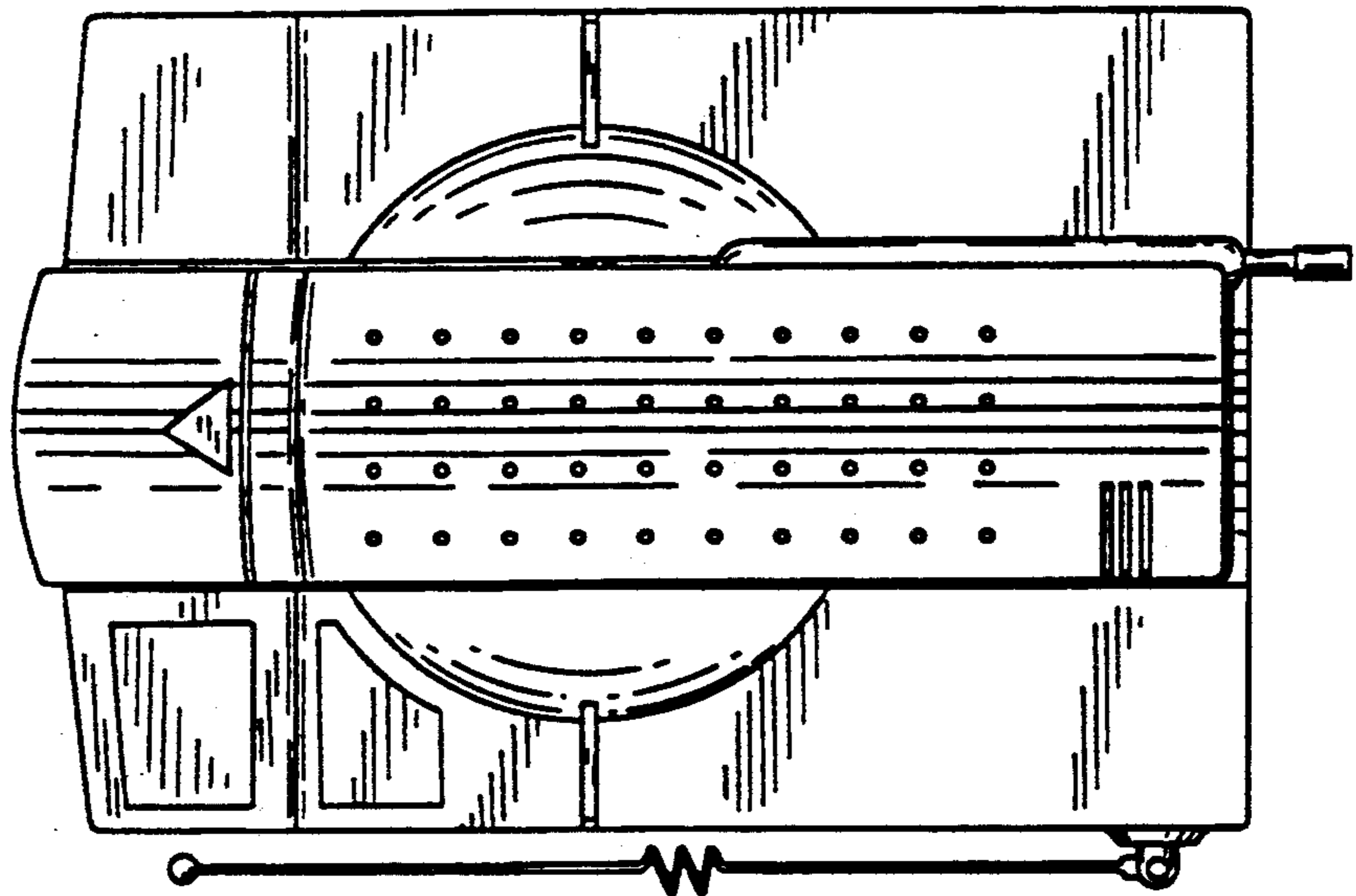


FIG. 2

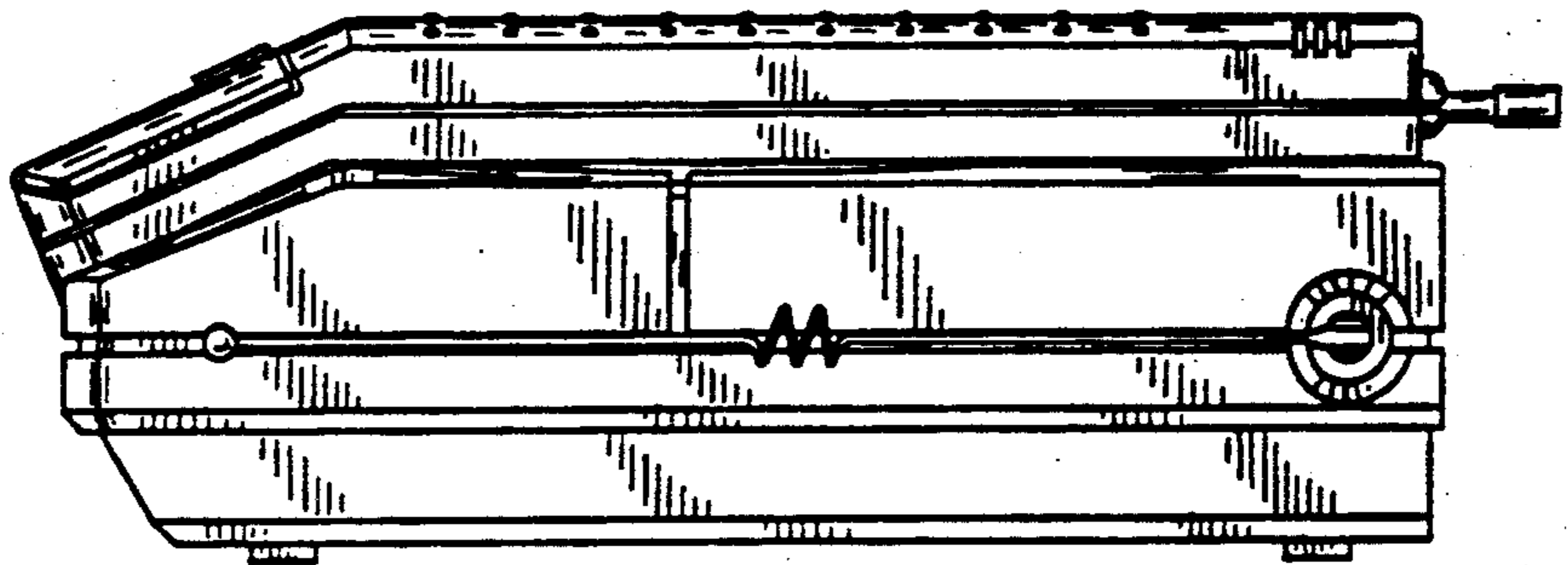


FIG. 3

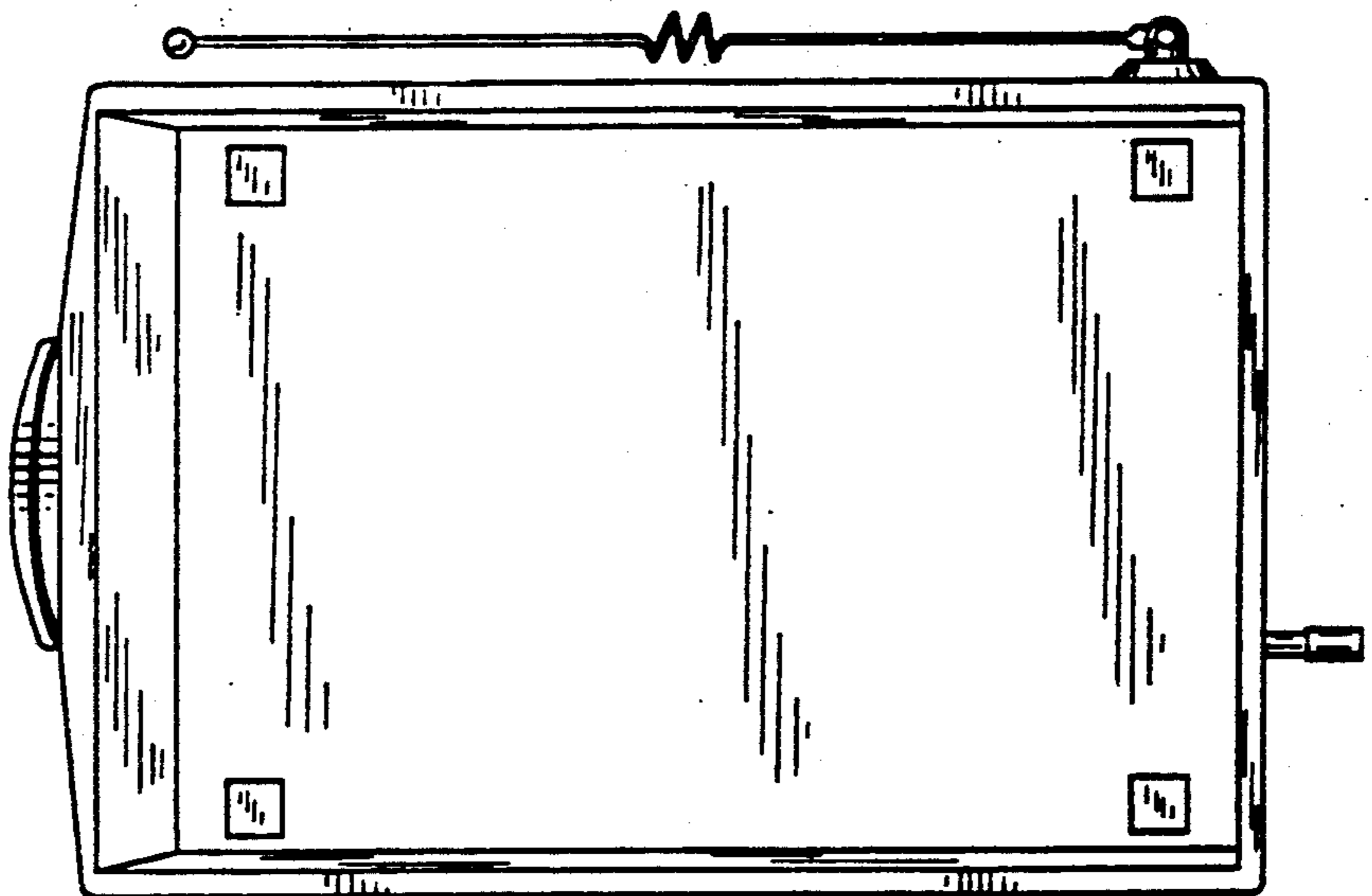


FIG. 4

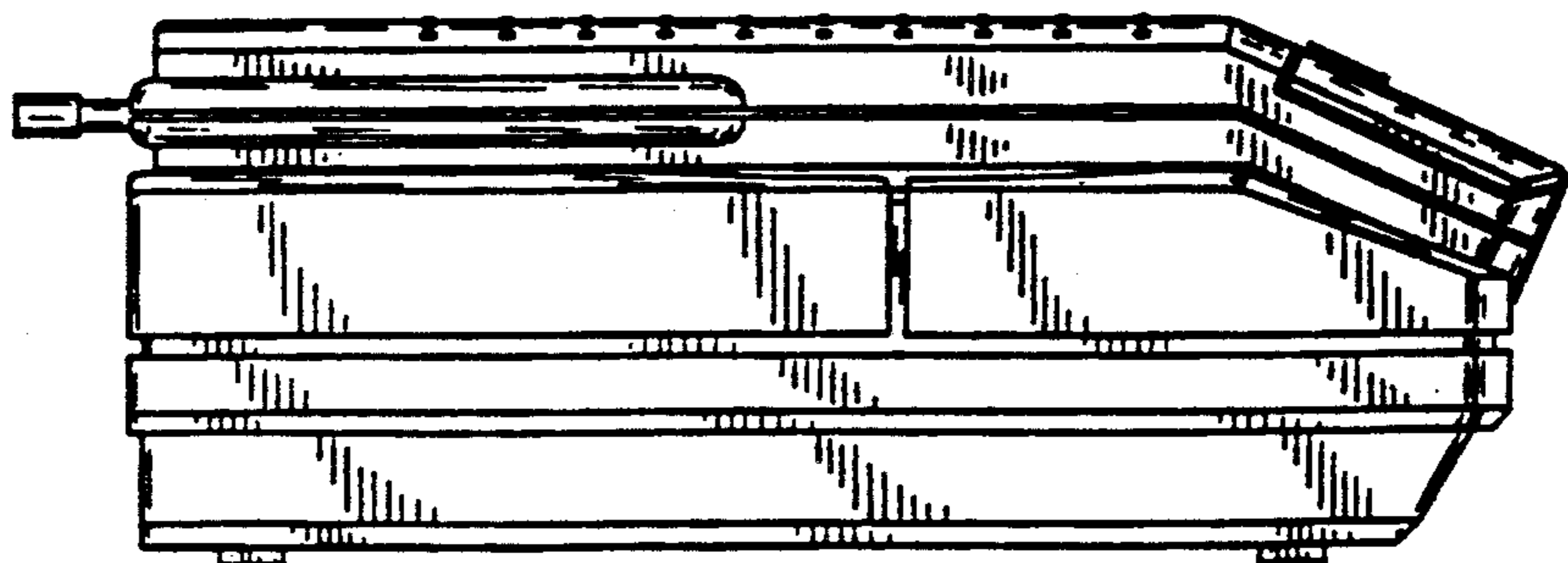


FIG. 5

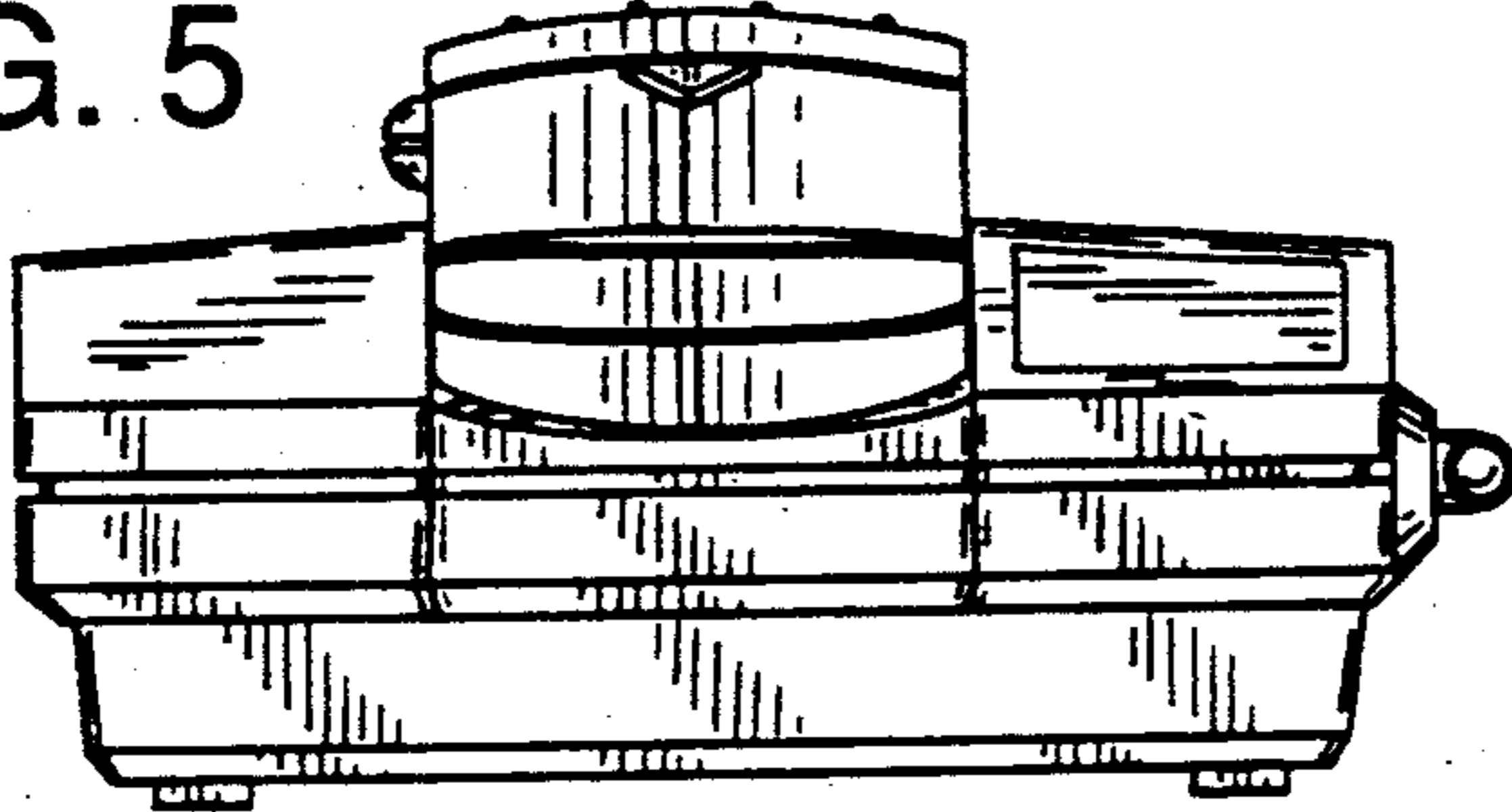


FIG. 6

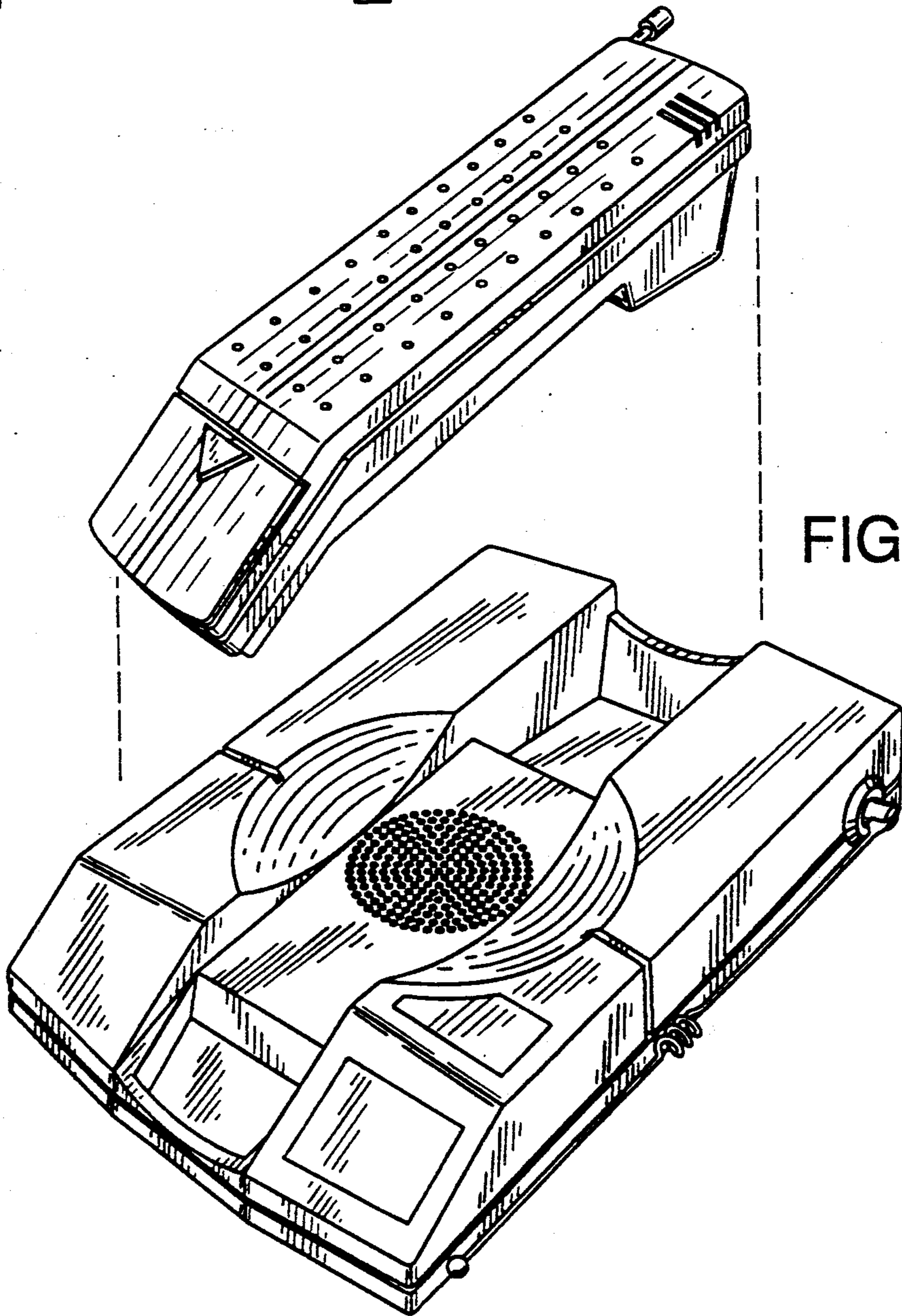
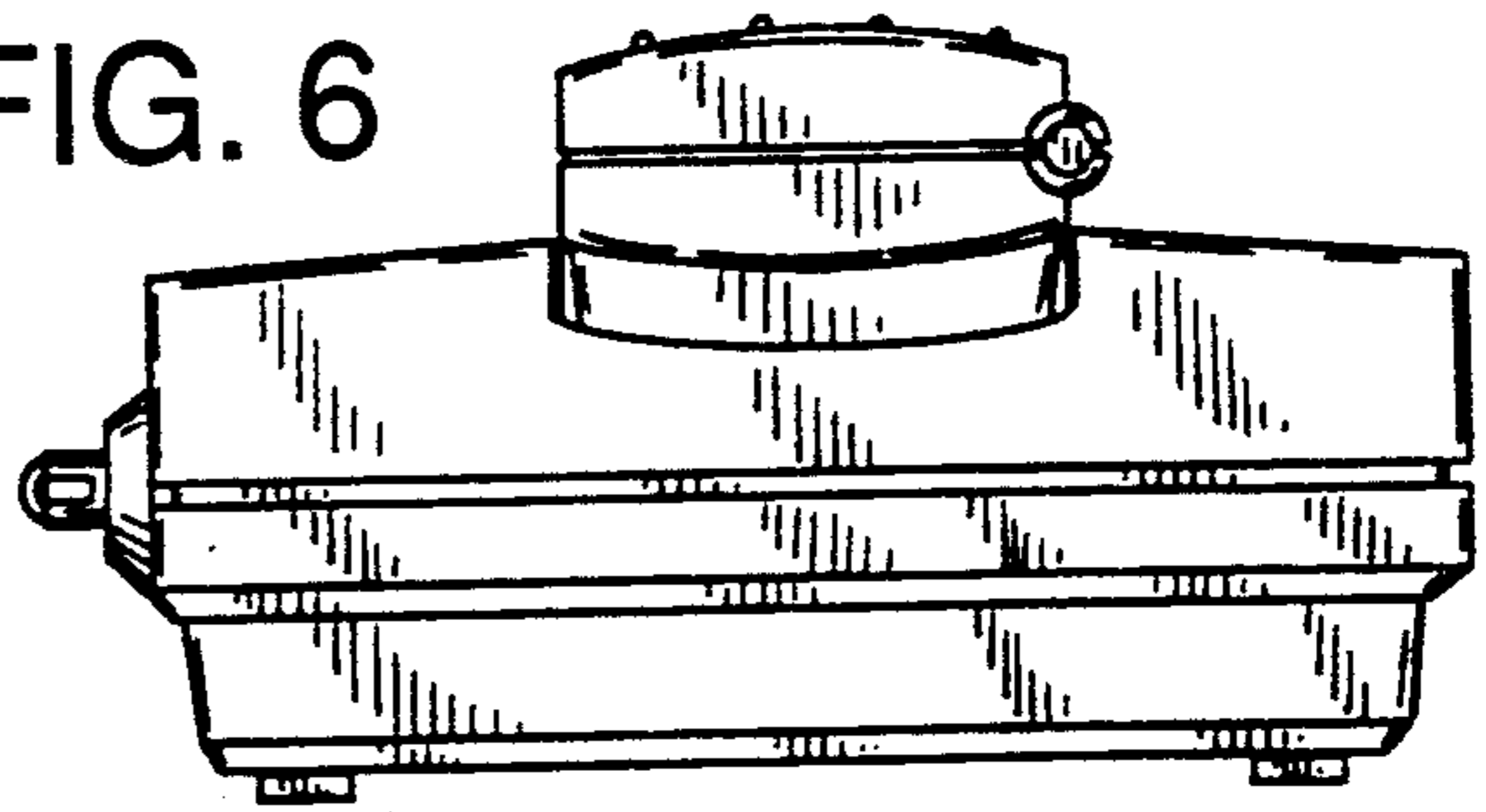


FIG. 7