



US00D323154S

United States Patent [19]

Ohkura et al.

[11] Patent Number: **Des. 323,154**

[45] Date of Patent: **** Jan. 14, 1992**

[54] **HOUSING FOR ELECTRICAL CONNECTOR**

[75] Inventors: **Kenji Ohkura, Hisai; Shinichi Uchida, Yokkaichi, both of Japan**

[73] Assignee: **Sumitomo Wiring Systems, Ltd., Yokkaichi, Japan**

[**] Term: **14 Years**

[21] Appl. No.: **441,401**

[22] Filed: **Nov. 22, 1989**

[30] **Foreign Application Priority Data**

Jun. 9, 1989 [JP] Japan 1-21405

[52] U.S. Cl. **D13/147**

[58] Field of Search **D13/133, 146, 147; 439/271, 275, 279, 282, 293, 297, 350, 352, 353, 357, 358, 571, 586, 587, 589, 595, 596, 598, 600, 680, 682, 685, 686, 687, 695, 701, 724, 744, 748, 752**

[56] **References Cited**

U.S. PATENT DOCUMENTS

3,824,524	7/1974	Glover	439/282
4,708,662	11/1987	Klein	439/353
4,721,482	1/1988	Fukuda et al.	439/586 X
4,802,869	2/1989	Maue	439/597
4,806,123	2/1989	Konishi et al.	439/595

FOREIGN PATENT DOCUMENTS

0147956	7/1985	European Pat. Off.	439/595
0277822	8/1988	European Pat. Off.	439/595

Primary Examiner—Susan J. Lucas
Assistant Examiner—J. Sincavage
Attorney, Agent, or Firm—Nils H. Ljungman & Associates

[57] **CLAIM**

The ornamental design of housing for electrical connector, as shown and described.

DESCRIPTION

FIG. 1 is a front and upper right perspective view of a housing for an electrical connector showing our new design;
FIG. 2 is a top plan view thereof;
FIG. 3 is a front elevational view thereof;
FIG. 4 is a bottom plan view thereof;
FIG. 5 is a right side elevational view thereof, the left side elevational view thereof being a mirror image;
FIG. 6 is a rear elevational view thereof; and
FIG. 7 is a cross-sectional view thereof taken along line 7—7 of FIG. 3.

The broken line showing of apertures on the front and rear is included for the purpose of illustrating environmental elements only and forms no part of the claimed design.

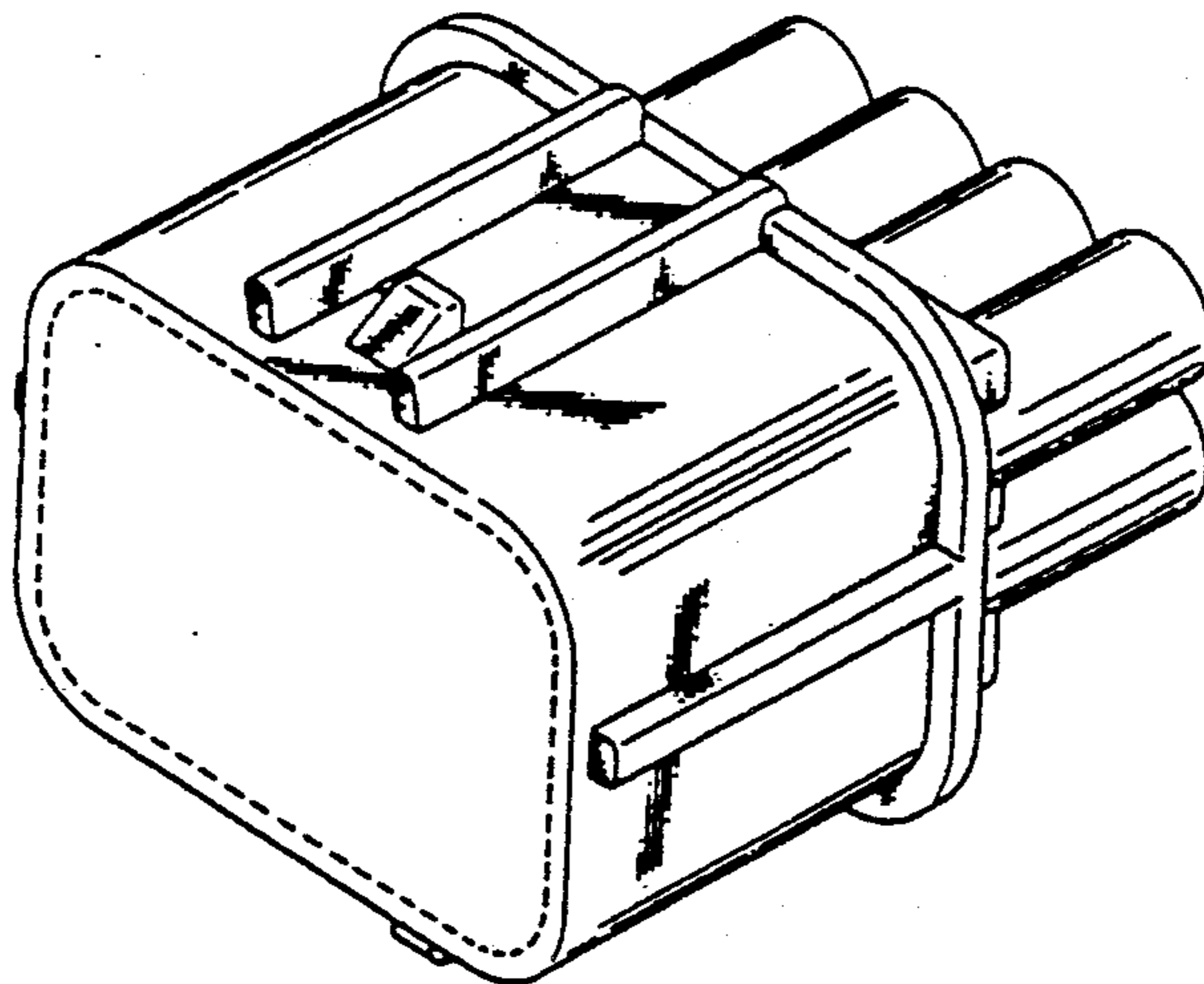


FIG. 2

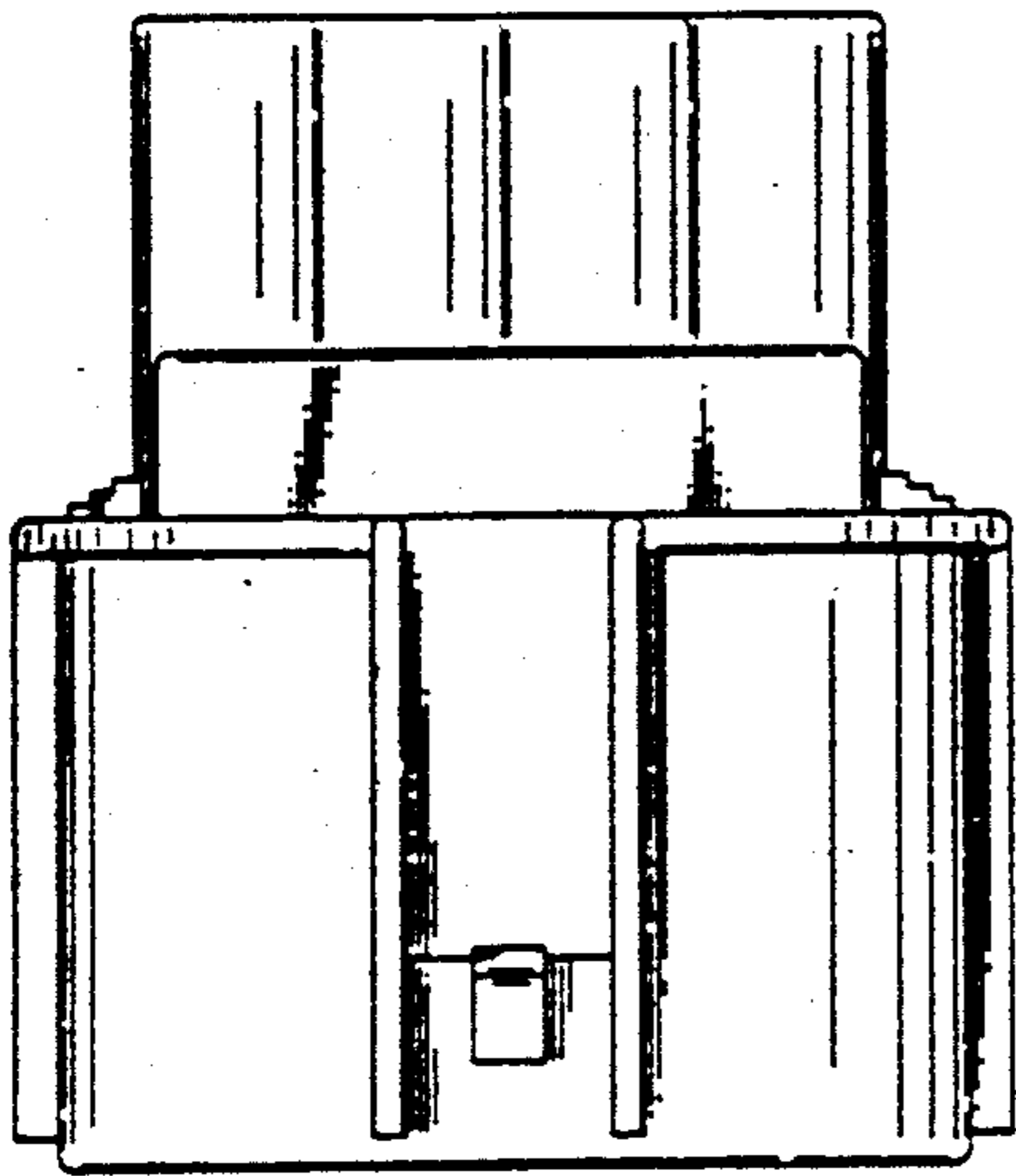


FIG. 3

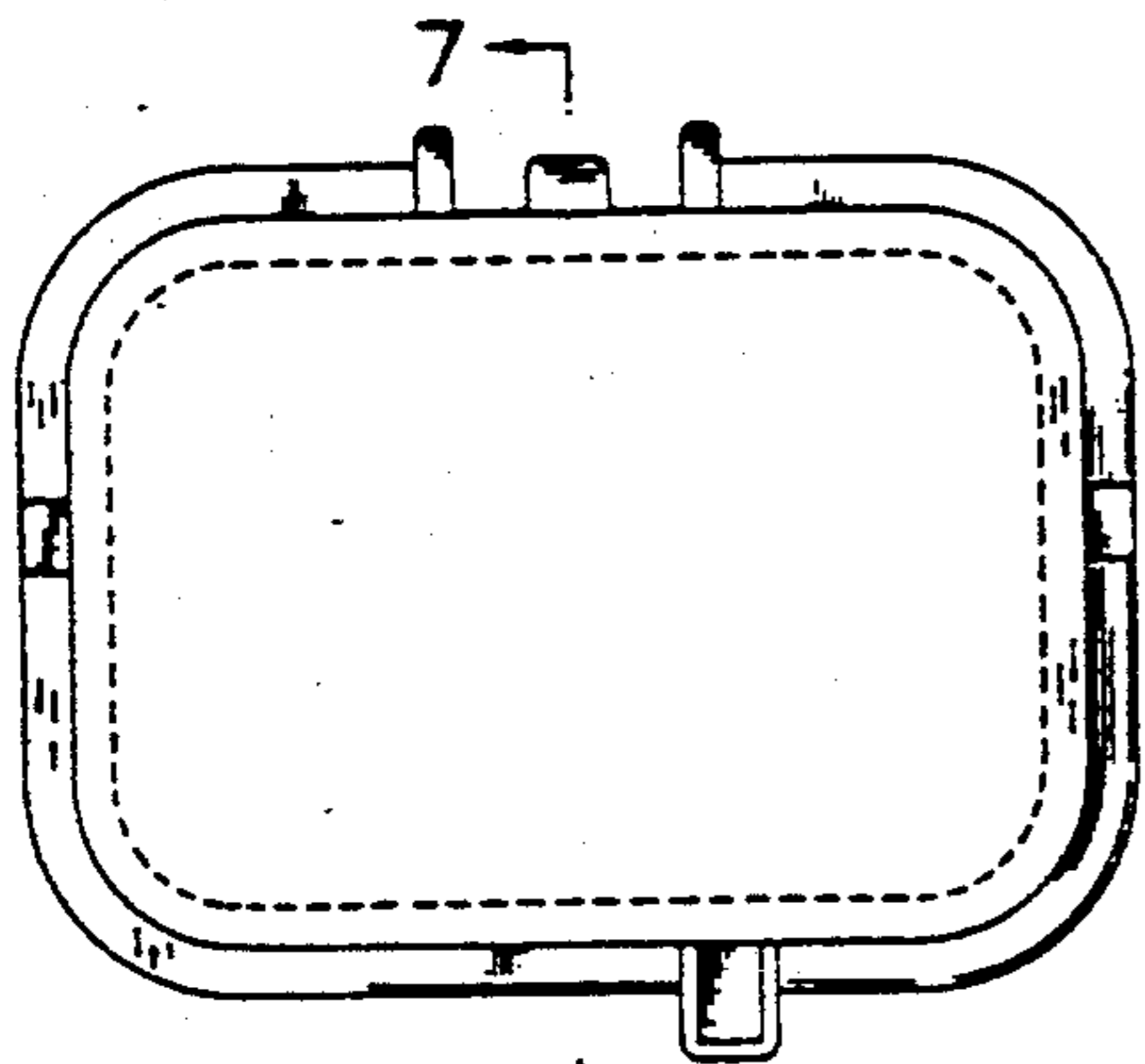


FIG. 4

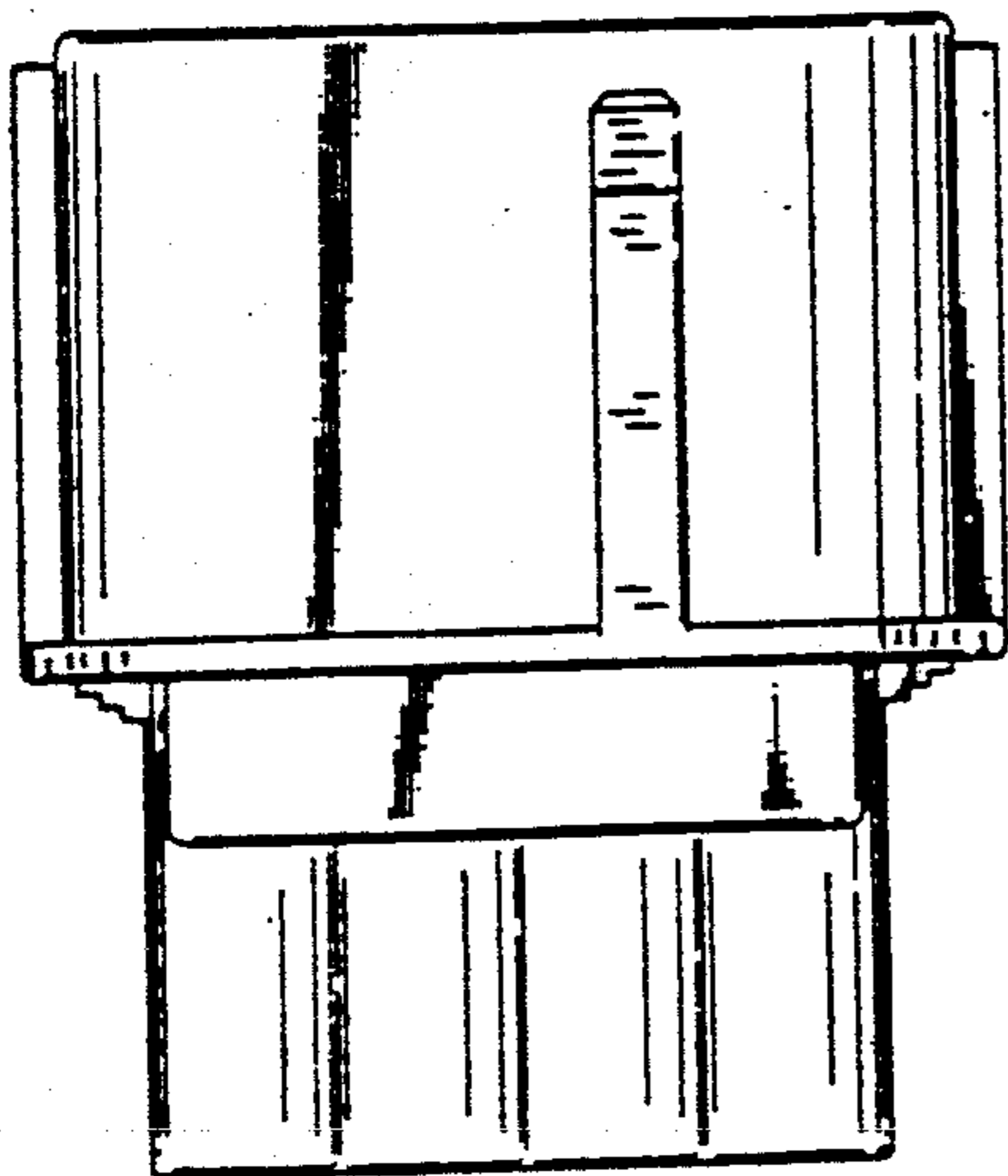


FIG. 1

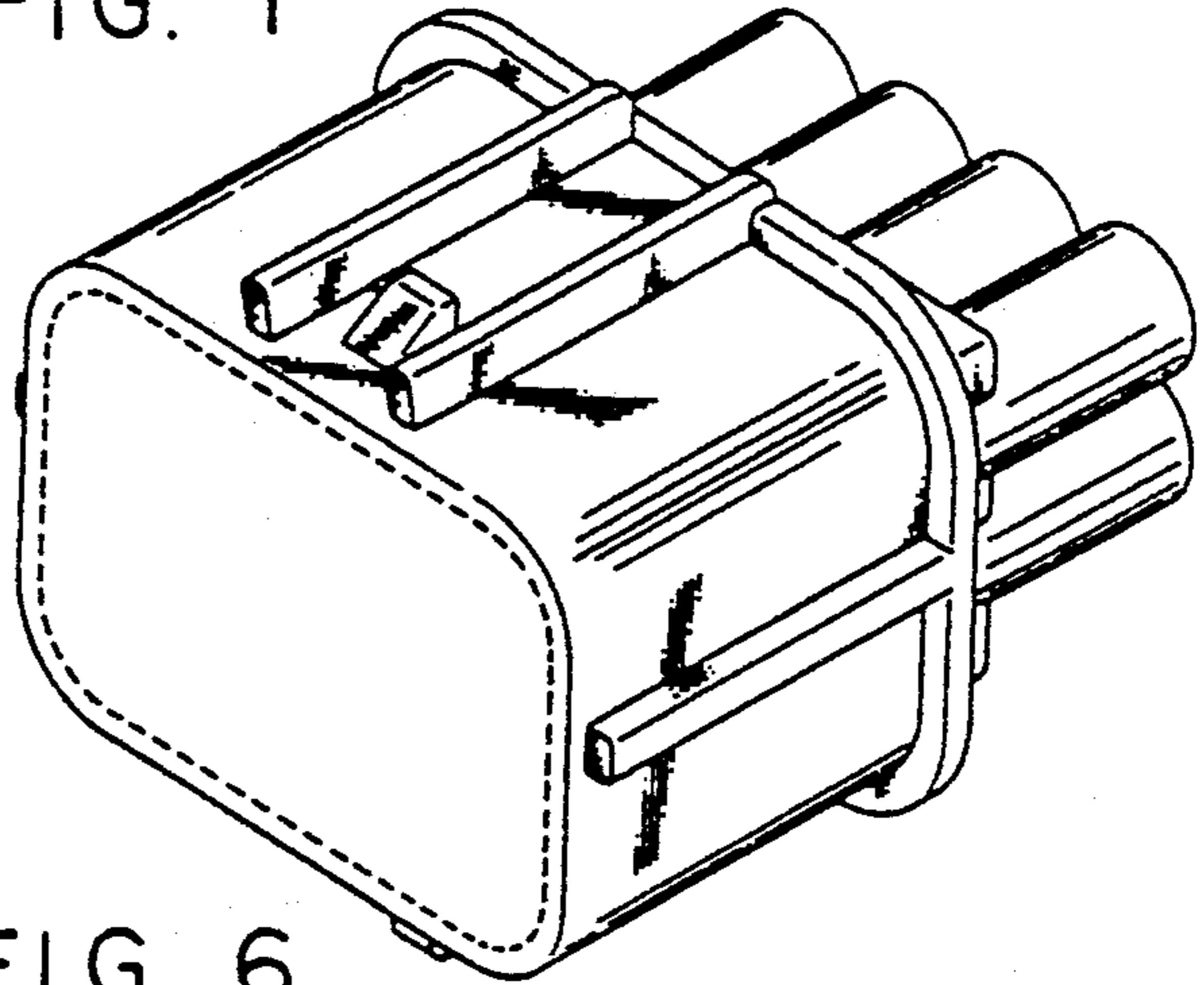


FIG. 6

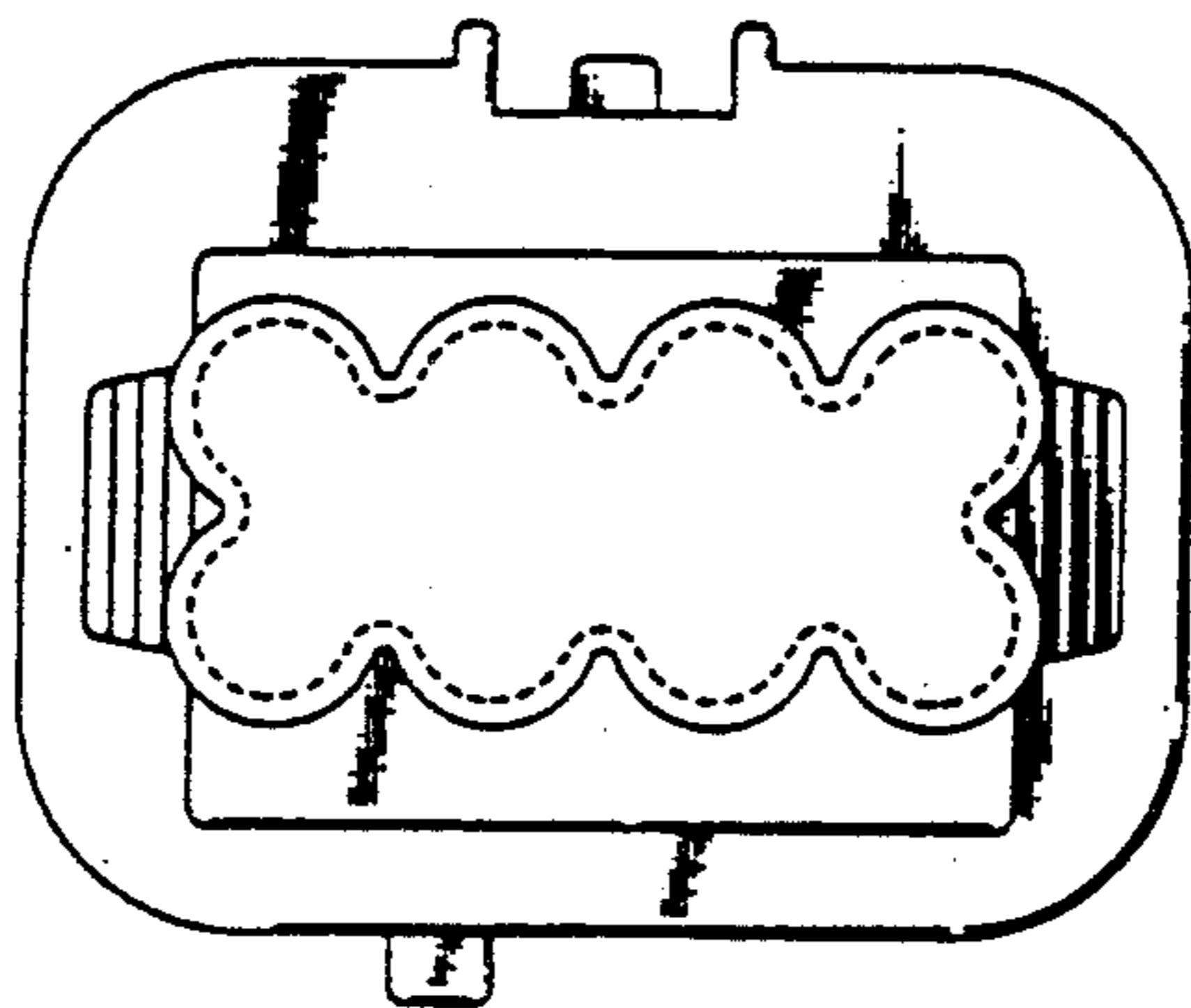


FIG. 5

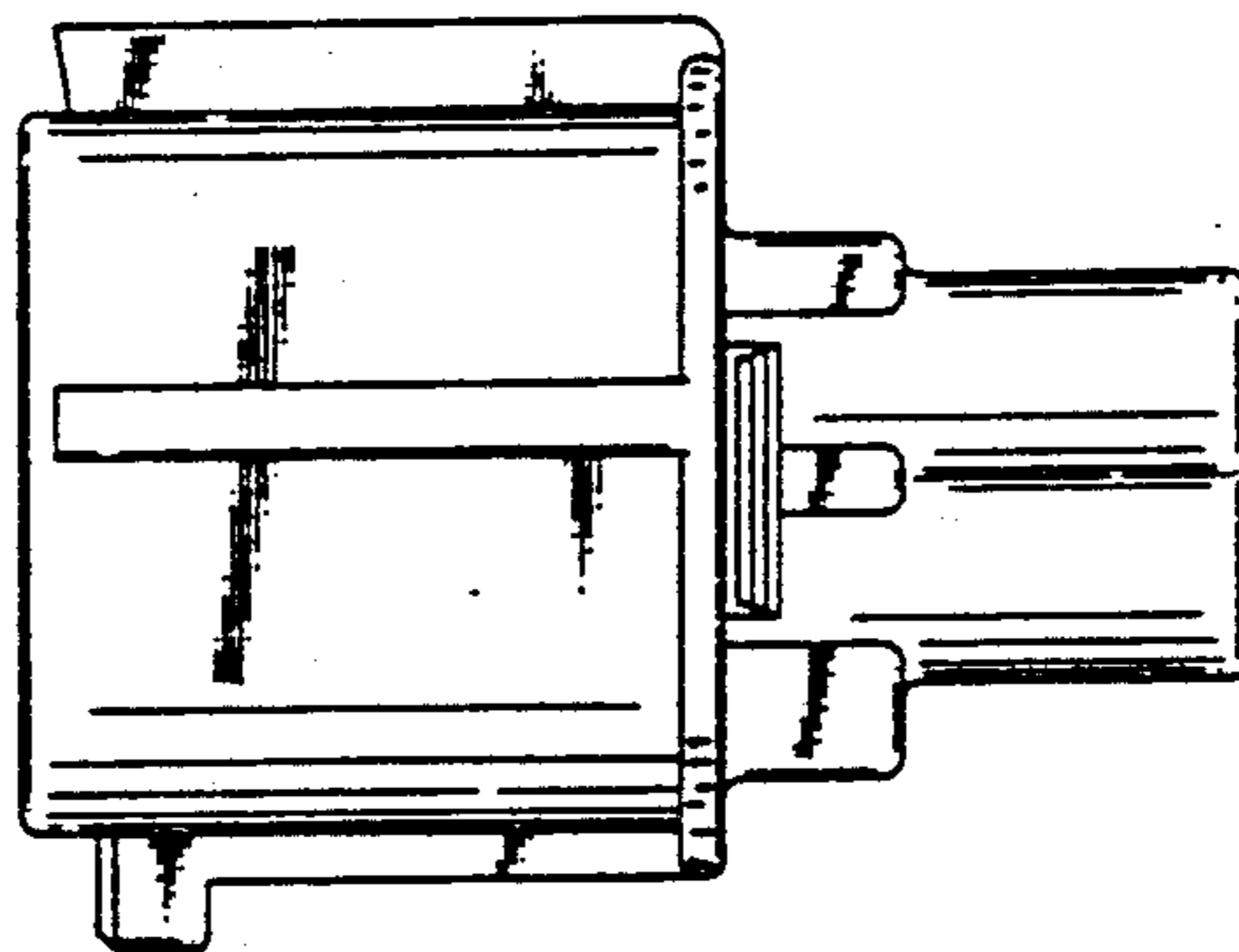


FIG. 7

