



US00D323151S

United States Patent [19]

Nagasaka et al.

[11] Patent Number: **Des. 323,151**

[45] Date of Patent: **** Jan. 14, 1992**

- [54] HOUSING FOR AN ELECTRICAL CONNECTOR
- [75] Inventors: **Yasuhiro Nagasaka; Yasuo Hirayama**, both of Toyota; **Shigekazu Wakata**, Yokkaichi; **Shinichi Yamada**, Yokkaichi; **Nobuyuki Asakawa**, Yokkaichi, all of Japan
- [73] Assignee: **Sumitomo Wiring Systems, Ltd.**, Yokkaichi, Japan
- [**] Term: **14 Years**
- [21] Appl. No.: **339,638**
- [22] Filed: **Apr. 18, 1989**

- [30] Foreign Application Priority Data
Oct. 20, 1988 [JP] Japan 63-41170
- [52] U.S. Cl. **D13/147**
- [58] Field of Search D13/133, 146, 147; 439/246-248, 259, 282, 296, 299, 345, 350, 351-353, 357, 358, 374, 529, 533, 575, 586, 587, 592-598, 600, 656, 668, 678, 679, 680, 682, 685, 686, 691, 692, 695, 701, 723, 724, 729

- [56] **References Cited**
U.S. PATENT DOCUMENTS
D. 311,733 10/1990 Kuzuno et al. D13/133
3,137,535 6/1964 Collier et al. 439/350

- 4,812,133 3/1989 Fleak et al. 439/248
- 4,915,649 4/1990 Shimazu et al. D13/147 X
- 4,938,710 7/1990 Aihara et al. 439/345

FOREIGN PATENT DOCUMENTS

- 0237712 1/1965 Austria 439/680

Primary Examiner—Susan J. Lucas
Assistant Examiner—J. Sincavage
Attorney, Agent, or Firm—Nils H. Ljungman & Associates

[57] CLAIM

The ornamental design for a housing for an electrical connector, as shown and described.

DESCRIPTION

FIG. 1 is a front perspective view of a housing for an electrical connector showing our new design. The broken line showing of the end apertures throughout the drawing figures is included for the purpose of illustrating environmental elements only and forms no part of the claimed design;
 FIG. 2 is a front elevational view thereof;
 FIG. 3 is a rear elevational view thereof;
 FIG. 4 is a top plan view thereof;
 FIG. 5 is a bottom plan view thereof;
 FIG. 6 is a right side elevational view thereof, the left side elevational view being a mirror image; and
 FIG. 7 is a cross-sectional view thereof taken along line 7-7 of FIG. 2.

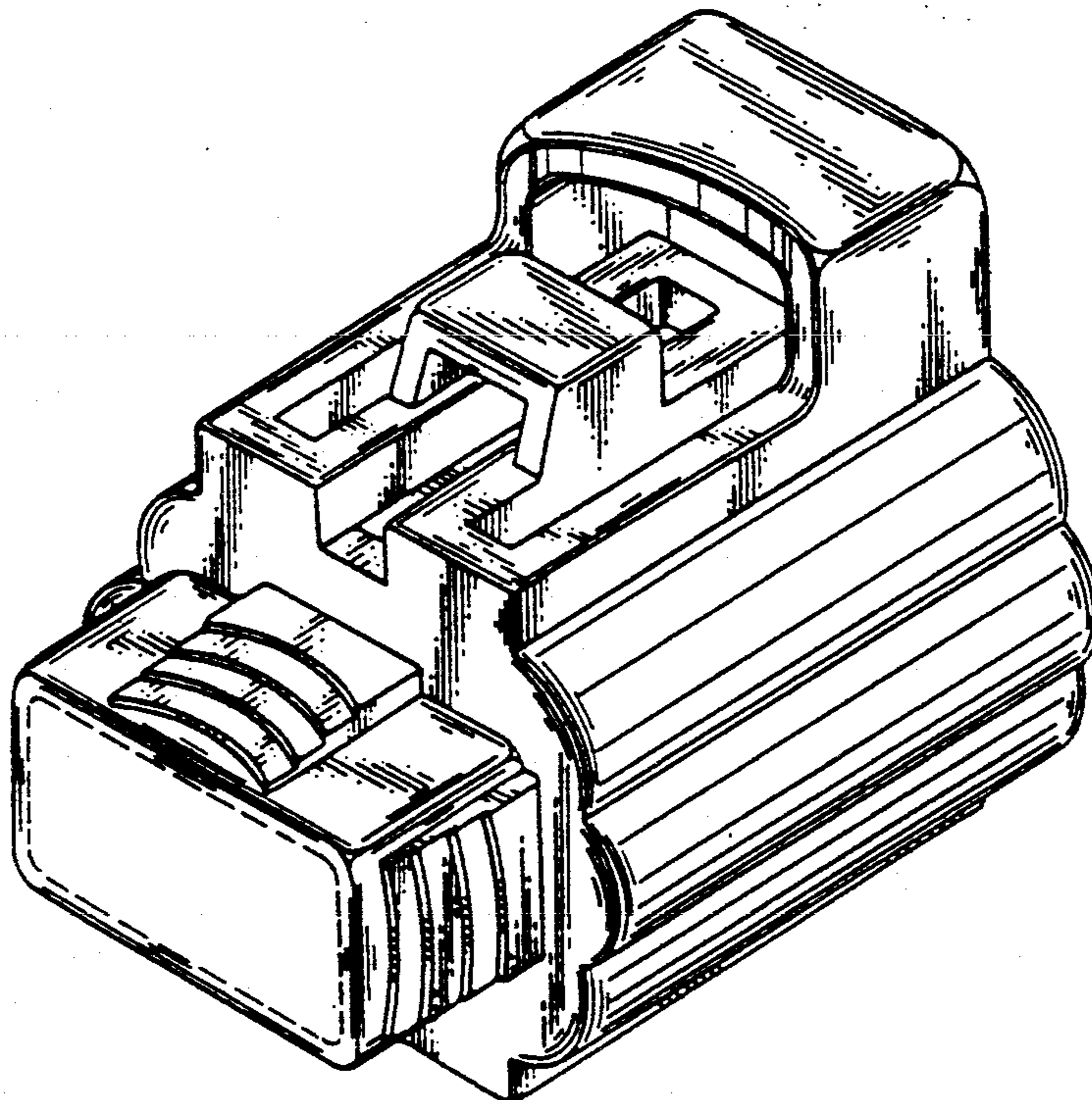


FIG. 1

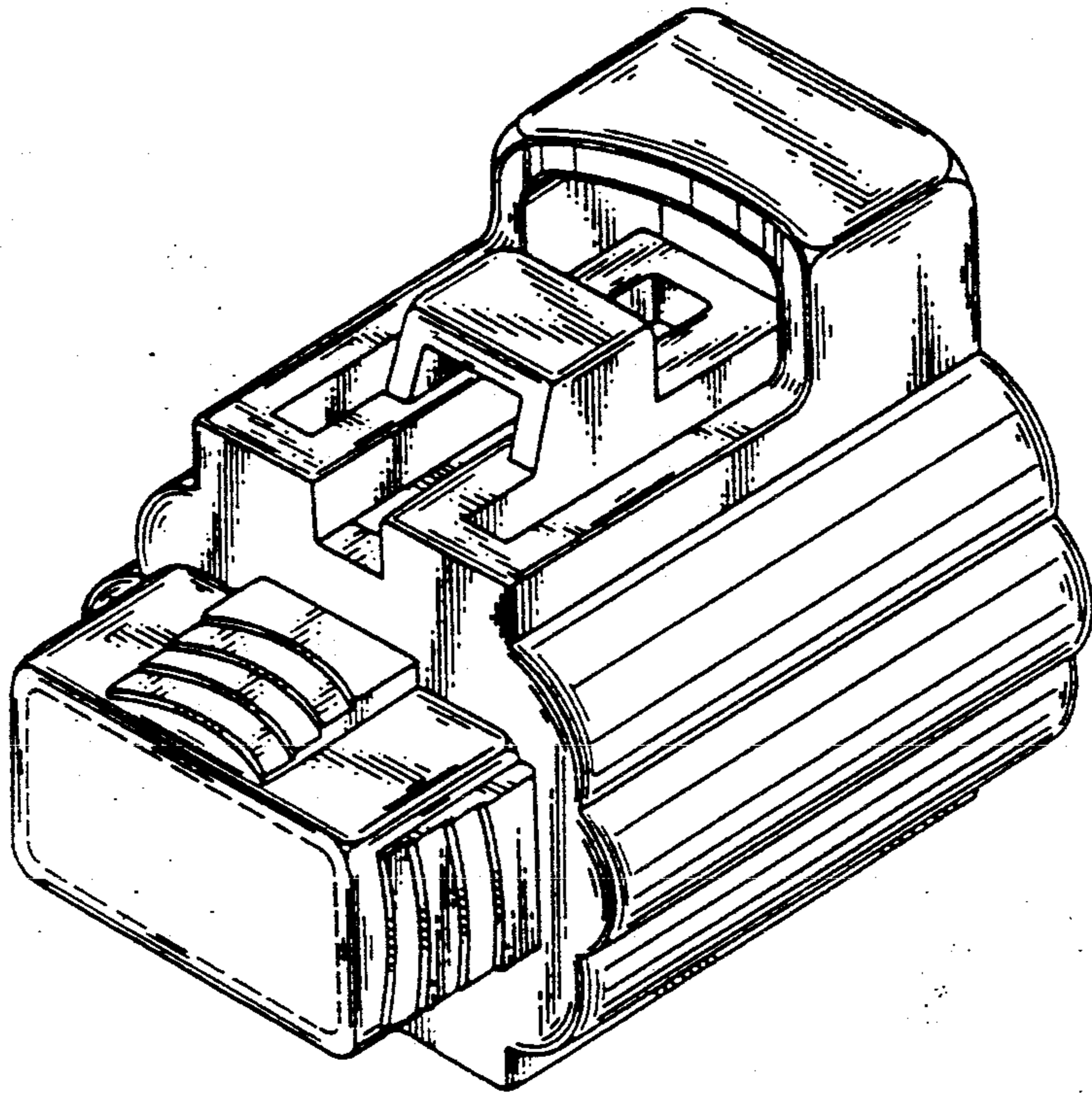
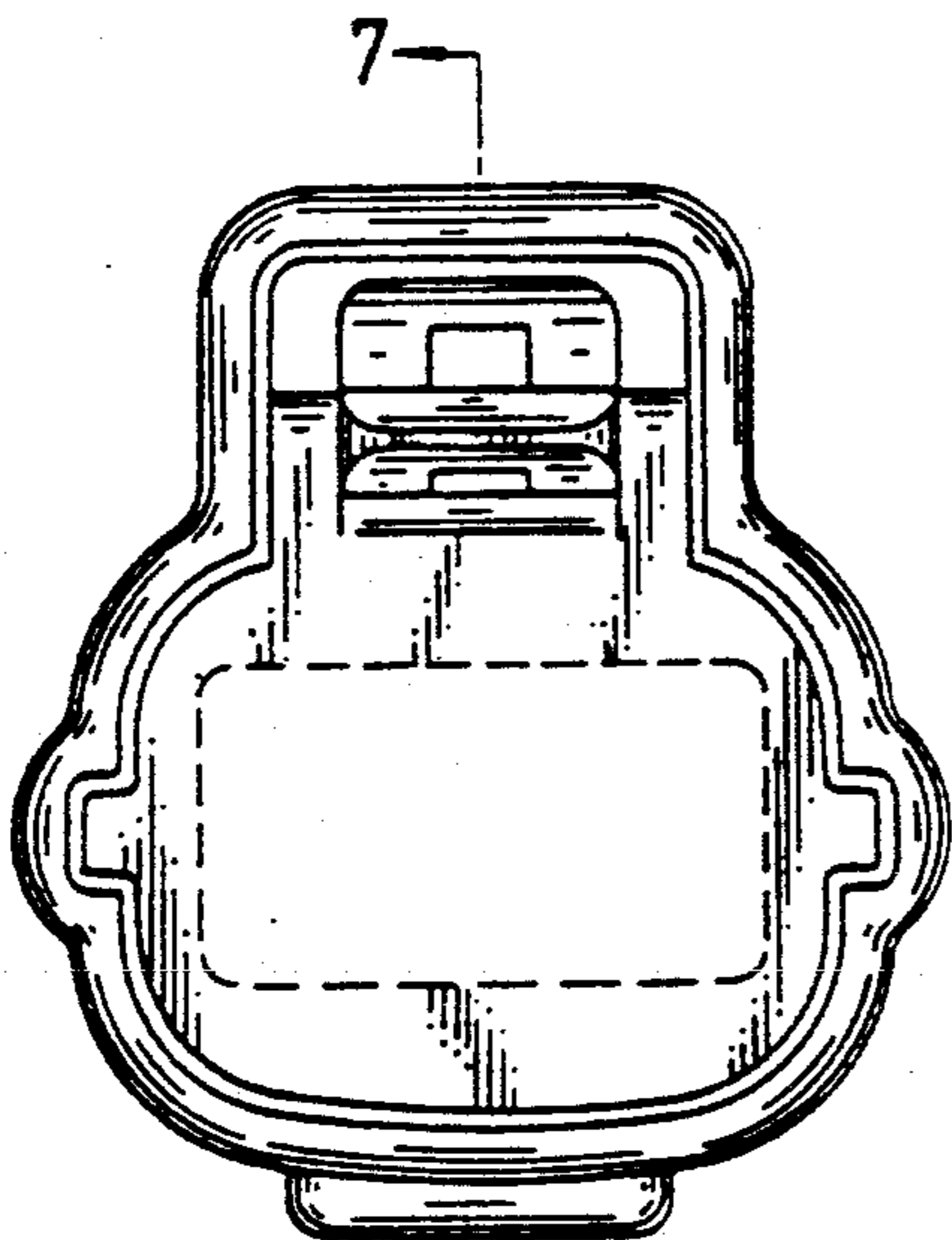


FIG. 2



7

FIG. 3

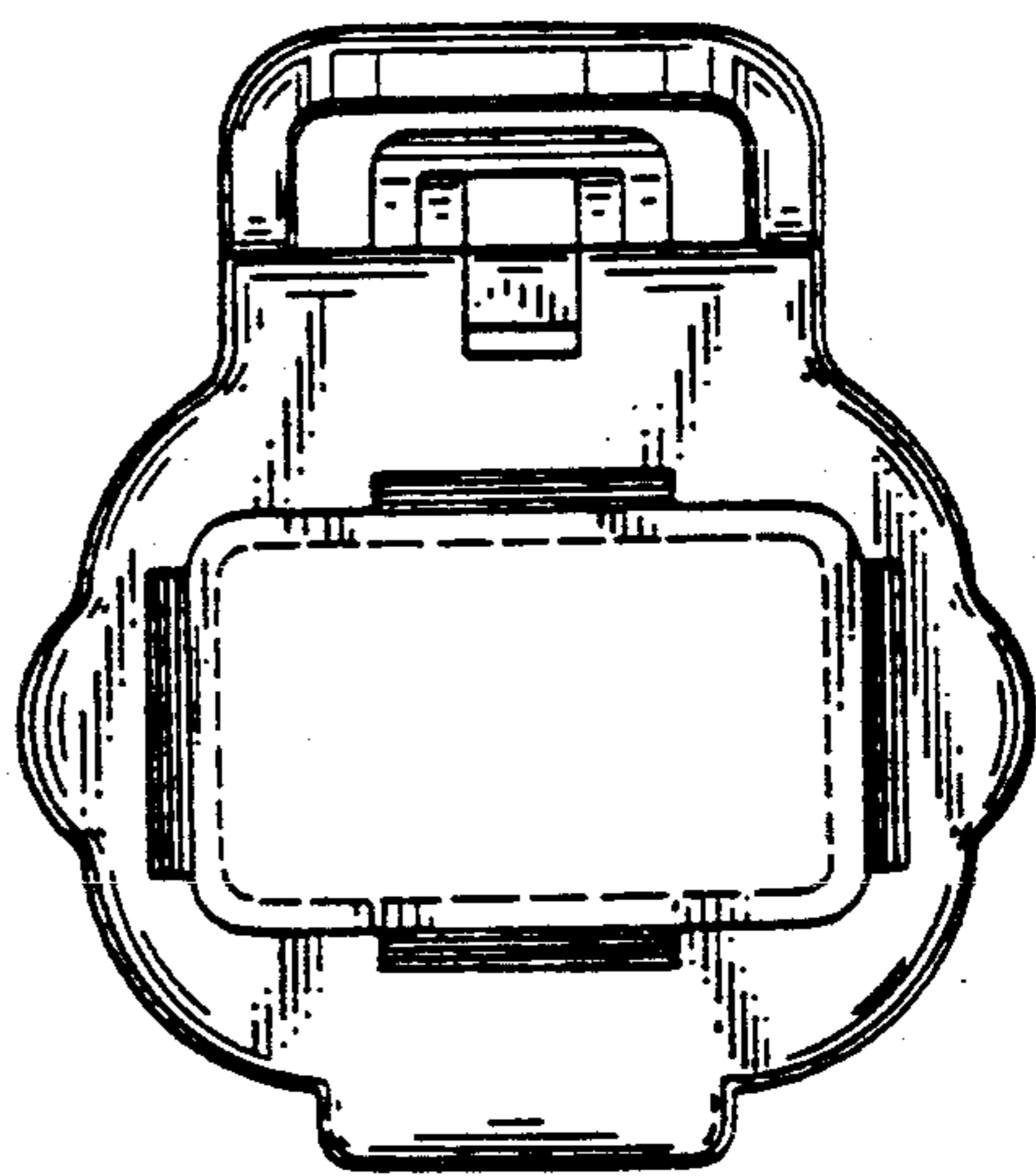


FIG. 4

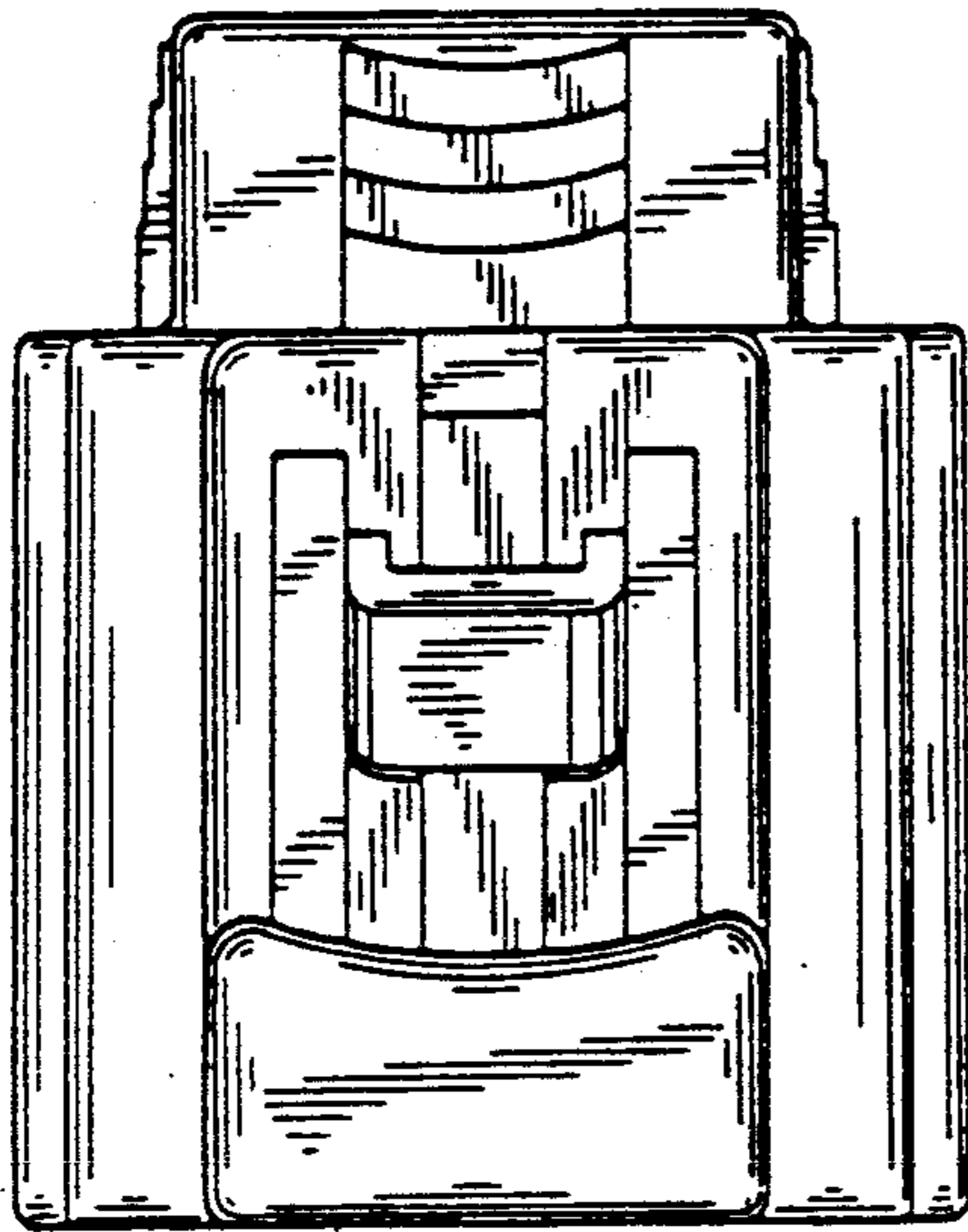


FIG. 5

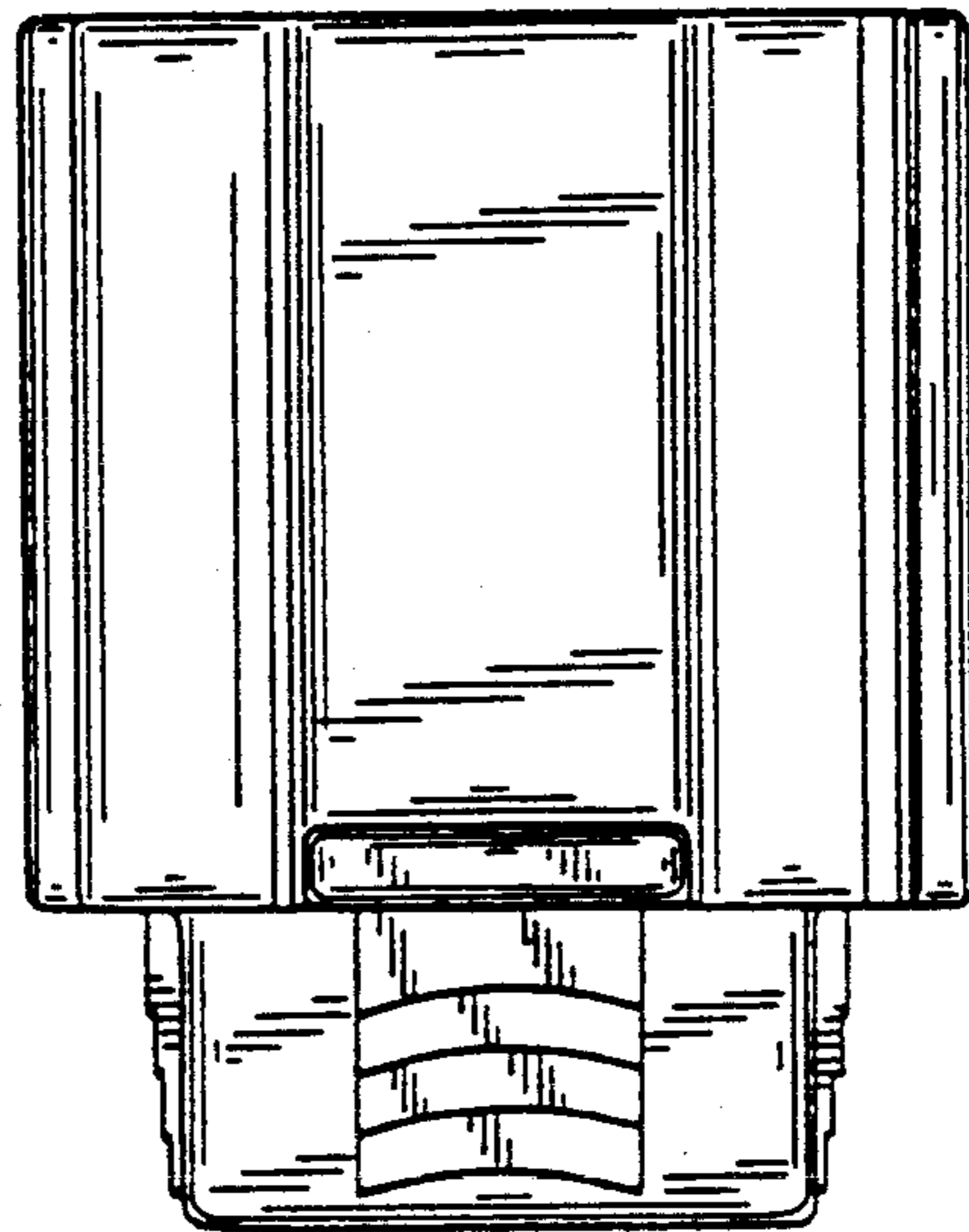


FIG. 6

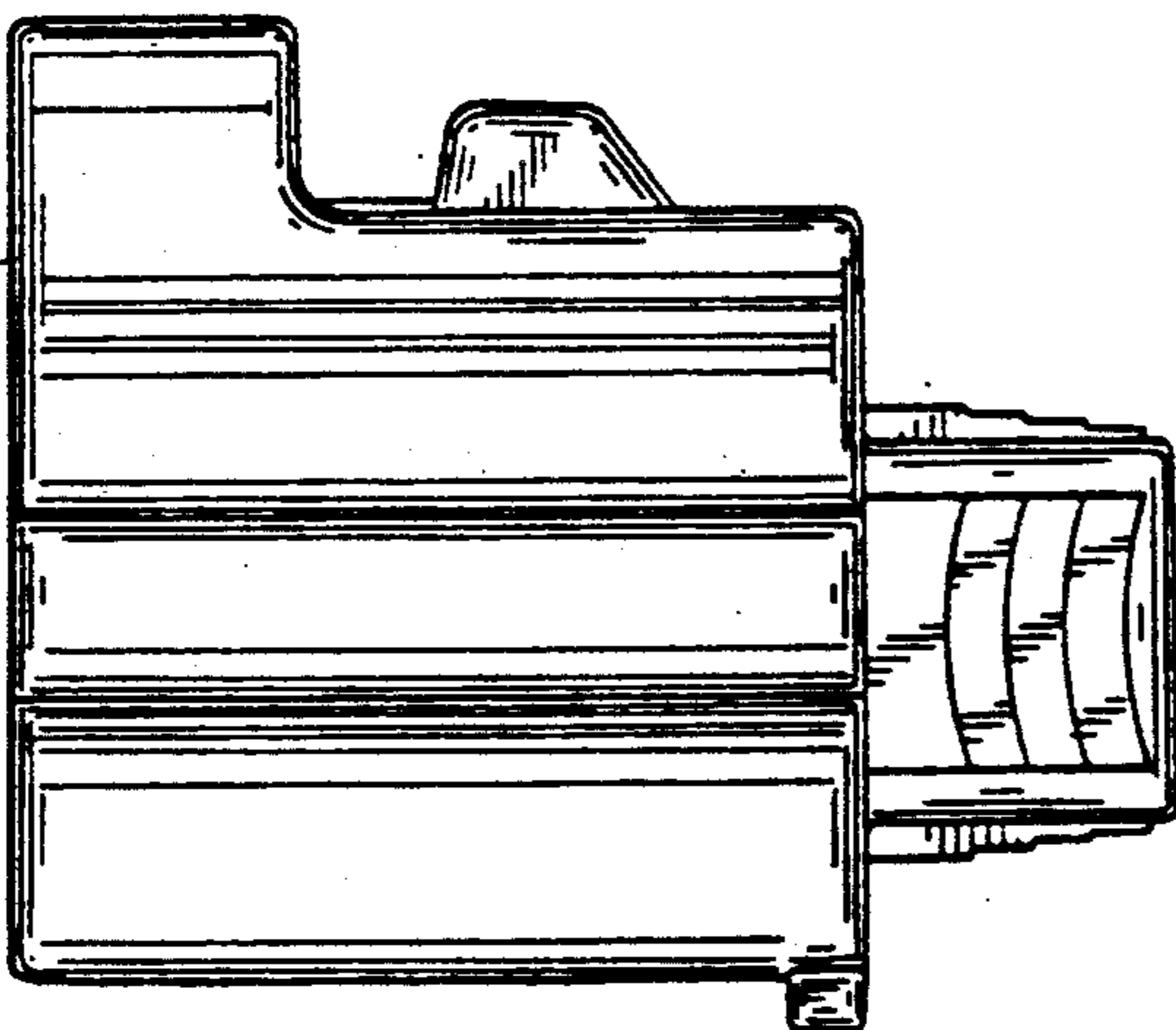


FIG. 7

